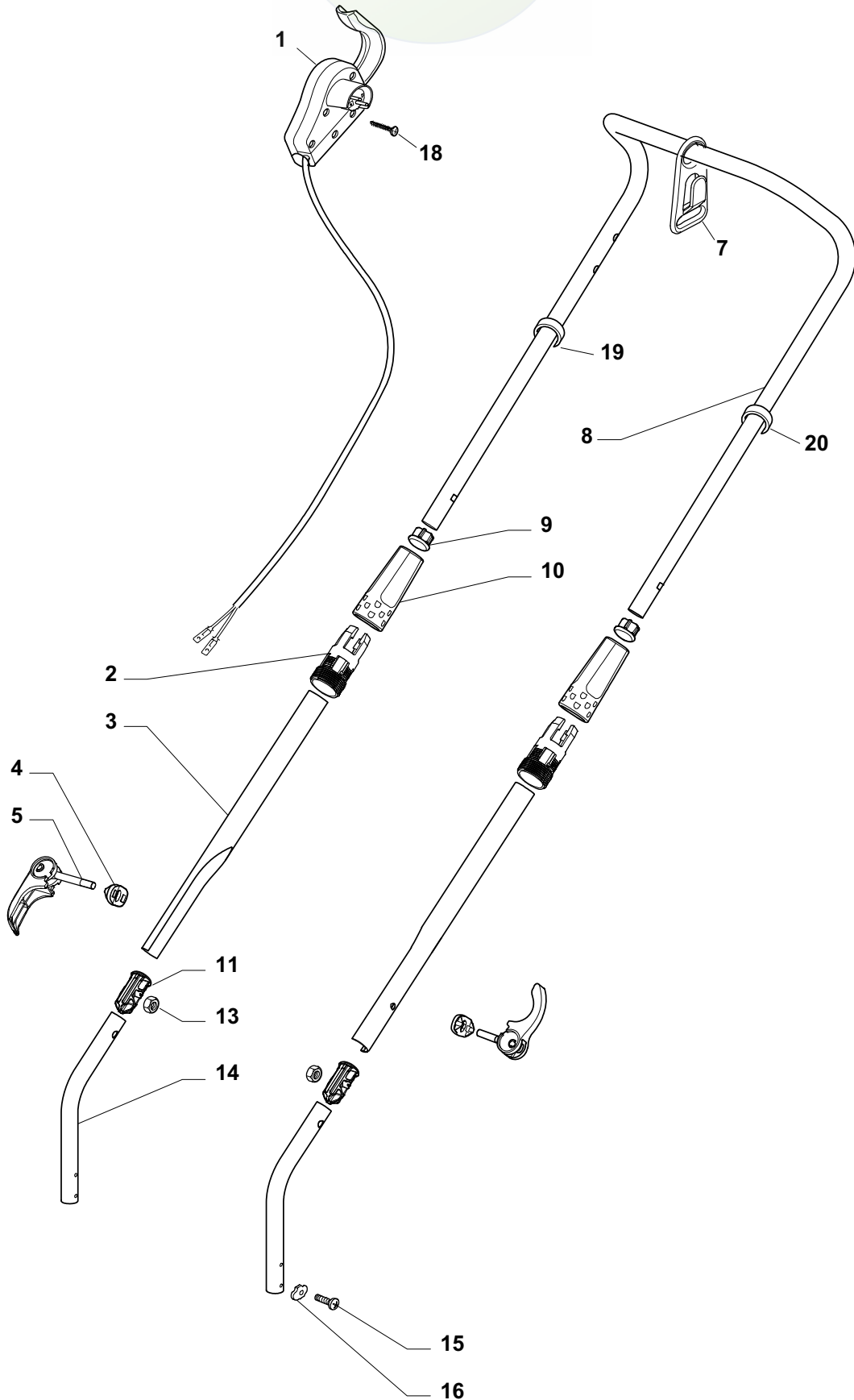




Model: **VARIOLUX V-E 39**
Table: **Handle, Upper Part**



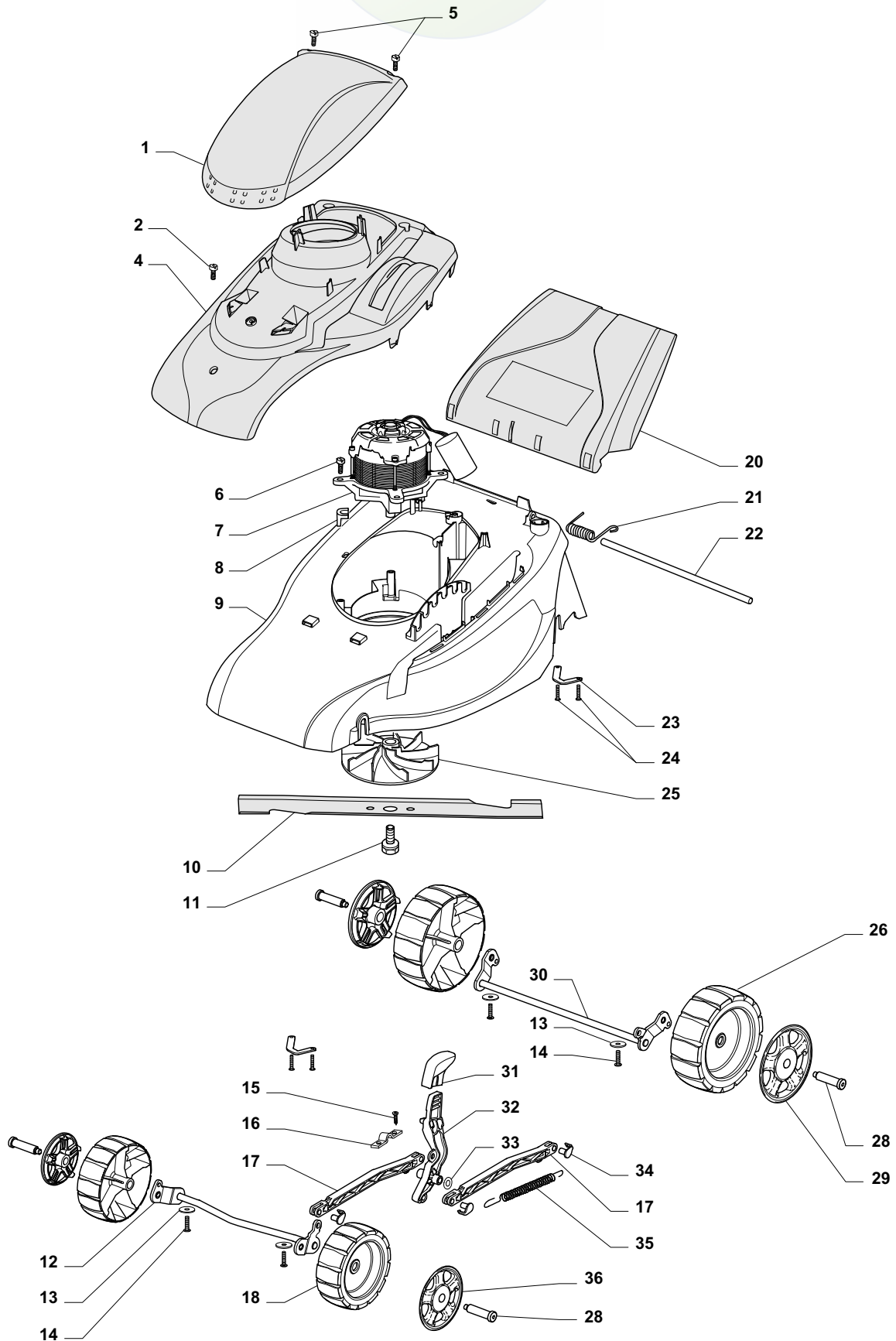


Model: VARIOLUX V-E 39
Table: Handle, Upper Part

| Pos. | Article nr | Q.ty | Description | Bezeichnung |
|------|-------------|------|------------------------|---------------------|
| 1 | 381600503/2 | 1 | Dead Hand Switch | Tot Manschalter |
| 2 | 322245063/0 | 2 | Ring Nut, Internal | Nutmutter |
| 3 | 381006679/0 | 1 | Handle, Middle Part | Holm |
| 4 | 322680014/0 | 2 | Washer | Scheibe |
| 5 | 381003252/0 | 2 | Lever, Handle Blocking | Hebel |
| 6 | 22010250/0 | 1 | Rod, Fairlead Bearing | Stange, Kabelhalter |
| 7 | 22195101/4 | 1 | Fairlead | Kabelbefestigung |
| 8 | 81006941/4 | 1 | Handle, Upper Part | Holm, Oberteil |
| 9 | 22820066/1 | 2 | Cap | Gummistopfen |
| 10 | 322245062/0 | 2 | Ring Nut, External | Nutmutter |
| 11 | 322820081/0 | 2 | Cap | Gummistopfen |
| 13 | 12293200/0 | 2 | Nut | Mutter |
| 14 | 381006675/1 | 1 | Handle, Lower Part | Holm, Unterteil |
| 15 | 12731600/1 | 2 | Screw | Schraube |
| 16 | 22545135/0 | 2 | Plate | Plättchen |
| 18 | 12728701/0 | 2 | Screw | Schraube |
| 19 | 22192000/1 | 1 | Anchor Clamp | Bowdenzughalter |
| 20 | 22192151/0 | 1 | Fairlead | Kabelbefestigung |



Model: **VARIOLUX V-E 39**
Table: **Chassis**



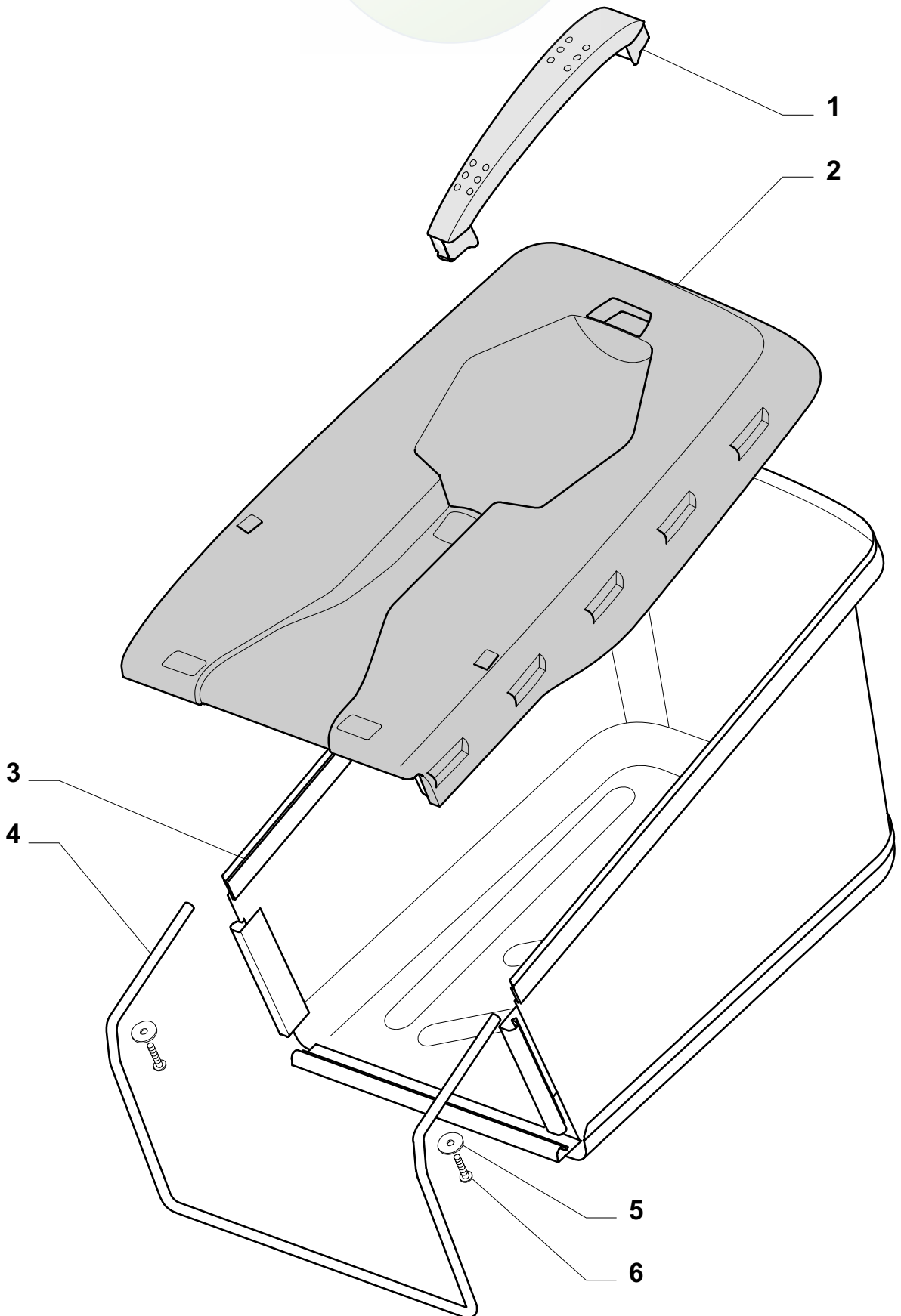


Model: VARIOLUX V-E 39
Table: Chassis

| Pos. | Article nr | Q.ty | Description | Bezeichnung |
|------|-------------|------|--------------------------|------------------------|
| 1 | 322055128/0 | 1 | Cover Red | Haube Rot |
| 2 | 12728124/0 | 1 | Screw | Schraube |
| 4 | 322785246/0 | 1 | Grey Support, Cover | Halter, Haube Grau |
| 4 | 322785247/0 | 1 | Black Support, Cover | Halter, Haube Schwarz |
| 5 | 12728701/0 | 2 | Screw | Schraube |
| 6 | 12735410/0 | 4 | Screw | Schraube |
| 7 | 118563660/0 | 1 | Motor | Motor |
| 8 | 22167700/0 | 4 | Spacer | Distanzring |
| 9 | 322066721/0 | 1 | Deck Red | Gehäuse Rot |
| 10 | 81004142/0 | 1 | Blade | Messer |
| 11 | 81004352/0 | 1 | Screw | Schraube |
| 12 | 381002855/0 | 1 | Axle, Front Wheels | Achse, Vorderrad |
| 13 | 12523050/0 | 4 | Washer | Scheibe |
| 14 | 112728705/0 | 4 | Screw | Schraube |
| 15 | 12728701/0 | 2 | Screw | Schraube |
| 16 | 25547049/0 | 1 | Plate | Plättchen |
| 17 | 322869669/0 | 2 | Tie Rod | Spannstange |
| 18 | 322686094/0 | 2 | Wheel Ø 130 | Rad Ø 130 |
| 20 | 322600174/0 | 1 | Stone-Guard, Grey | Prallblech, Grau |
| 21 | 22450250/0 | 1 | Spring | Feder |
| 22 | 22512601/0 | 1 | Pin | Bolzen |
| 23 | 322545175/0 | 1 | Plate | Plättchen |
| 24 | 12728701/0 | 2 | Screw | Schraube |
| 25 | 22465602/0 | 1 | Hub | Halter |
| 26 | 322686095/0 | 2 | Wheel Ø 160 | Rad Ø 160 |
| 28 | 22524337/0 | 4 | Pin | Bolzen |
| 29 | 22110421/0 | 2 | Hub Cap Grey | Radkappe Grau |
| 30 | 381002857/0 | 1 | Axle, Rear Wheels | Achse, Hinterrad |
| 31 | 322399827/0 | 1 | Knob | Griff |
| 32 | 322321528/0 | 1 | Lever, Height Adjustment | Hebel, Höneverstellung |
| 33 | 112520033/0 | 1 | Washer | Scheibe |
| 34 | 22524338/0 | 4 | Pin | Bolzen |
| 35 | 122450425/0 | 2 | Spring | Feder |
| 36 | 22110420/0 | 2 | Hub Cap Grey | Radkappe Grau |



Model: **VARIOLUX V-E 39**
Table: **Grass-Catcher**





Model: VARIOLUX V-E 39
Table: Grass-Catcher

| Pos. | Article nr | Q.ty | Description | Bezeichnung |
|------|-------------|------|---------------------------|---------------------|
| 1 | 322393621/0 | 1 | Handle, Red | Griff, Rot |
| 2 | 322486208/0 | 1 | Grassbox Upper Part, Grey | Korb Oberteil, Grau |
| 3 | 181002273/0 | 1 | Box, Fabric | Sack, Tuck |
| 4 | 122608540/0 | 1 | Stiffening Lower | Verstärkung |
| 5 | 112523030/0 | 2 | Washer | Scheibe |
| 6 | 112728705/0 | 2 | Screw | Schraube |