

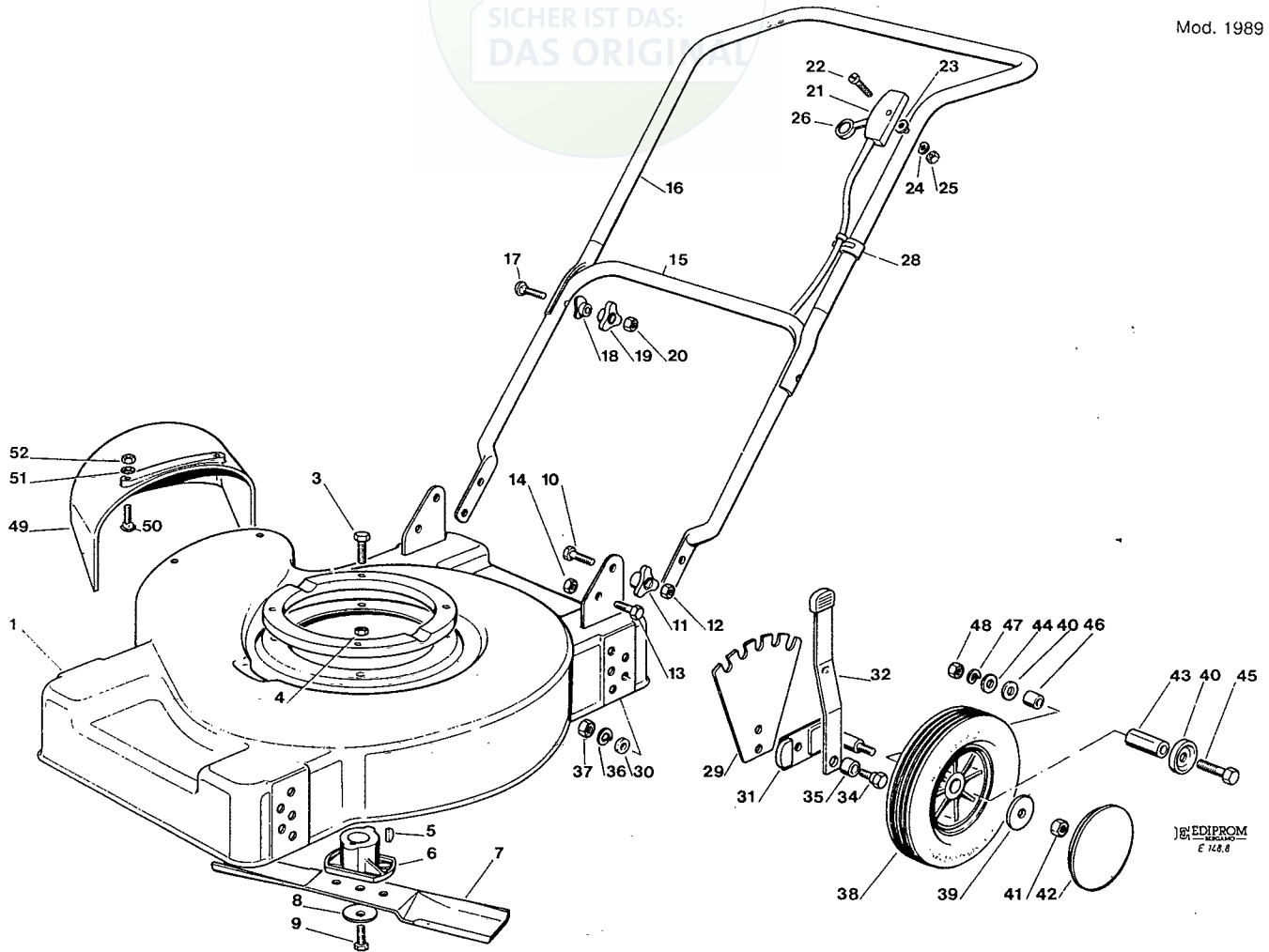


# SYSTEM®

VISTE ESPLOSE  
EXPLODED VIEWS  
VUES ECLATEES  
SPRENGZEICHNUNGEN

## S 474

Mod. 1989



Pos. Nr.	Codice Kodex Code	Descrizione	Description	Description	Beschreibung	Q.tà Q.ty Q.tè Menge
1	81000053/1	CHASSIS ROSSO	RED DECK	CHASSIS ROUGE	GEHÄUSE ROT	1
3	12793700/0	VITE	SCREW	VIS	SCHRAUBE	3
4	12293201/0	DADO	NUT	ECROU	MUTTER	3
5	12139100/0	LINGUETTA	KEY	CLAVETTE	KEY	1
6	22463012/0	MOZZO (P.P. 62)	HUB (P.T.O. 62)	MOYEU (P.F. 62)	HALTER (M.W. 62)	1
6A	22463255/1	MOZZO (P.P. 80)	HUB (P.T.O. 80)	MOYEU (P.F. 80)	HALTER (M.W. 80)	1
7	81004385/0	COLTELLO	BLADE	LAME	MESSER	1
8	22160400/0	DISCO	DISK	DISQUE	RADKAPPE	1
8A	12523080/0	RONDELLA	WASHER	RONDELLE	SCHEIBE	1
9	12735698/0	VITE (P.P. 62)	SCREW (P.T.O. 62)	VIS (P.F. 62)	SCHRAUBE (M.W. 62)	1
9A	12735694/0	VITE (P.P. 80)	SCREW (P.T.O. 80)	VIS (P.F. 80)	SCHRAUBE (M.W. 80)	1
10	12793700/0	VITE	SCREW	VIS	SCHRAUBE	2
11	22399900/0	MANOPOLA	KNOB	POIGNÉE	GRIFF	2
12	12293200/0	DADO	NUT	ECROU	MUTTER	2
13	12792610/0	VITE	SCREW	VIS	SCHRAUBE	2
14	12155000/0	DADO	NUT	ECROU	MUTTER	2
15	81006556/0	PARTE INF. MANICO (NERO)	LOWER HANDLE (BLACK)	PARTIE INF. MANCHERON (NOIR)	HOLMUNTERTEIL (SCHWARZ)	1
16	81006562/0	PARTE SUP. MANICO	UPPER HANDLE	PARTIE SUP. MANCHERON	HOLMOBERTEIL	1
17	12819120/0	VITE	SCREW	VIS	SCHRAUBE	2
18	22680006/1	RONDELLA	WASHER	RONDELLE	SCHEIBE	2
19	22399900/0	MANOPOLA	KNOB	POIGNÉE	GRIFF	2



Pos. Nr.	Codice Kodex Code	Descrizione	Description	Description	Beschreibung	Q.tà Q.ty Q.tè Menge
20	12293200/0	DADO	NUT	ECROU	MUTTER	1
21	81007041/0	ASS. ACC. ECON. UNIVERSALE SX	LEFT ACCELERATOR ASS'Y	ENS. ACCELERATEUR UNIVERSELLE GAUCHE	BILLIGER-BESCHZEUNIGER LINK	
21A	81007042/0	ASS. ACC. ECON. UNIVERSALE DX	RIGHT ACCELERATOR ASS'Y	ENS. ACCELERATEUR UNIVERSELLE DROITE	BILLIGER-BESCHLEUNIGER RECHT	1
22	12923020/0	VITE	SCREW	VIS	SCHRAUBE	4
23	12523040	RONDELLA	WASHER	RONDELLE	SCHEIBE	4
23A	12369500/0	RONDELLA	WASHER	RONDELLE	SCHEIBE	1
24	12582100/0	GROWER	GROWER	RONDELLE GROWER	FEDERRING	4
25	12292100/0	DADO	NUT	ECROU	MUTTER	4
26	81007250/0	ASS. LEVA ACCELERATORE	ACCELERATOR LEVER ASS'Y	ENS. LEVIER ACCEL.	GAS ZUGHEBÉLSATZ	1
28	22192000/0	FASCETTA ANCORAGGIO	ANCHOR CLAMP	COLLIÉR ANCRAGE GAINÉ	BOWDENZUGHALTER	1
29	22735530/0	SETTORE REGOLAZIONE	GEIGHT ADJ. SECTOR	SECTEUR REGLAGE	VERSTELLUNGSSEKTOR	4
30	12523080/0	RONDELLA	WASHER	RONDELLE	SCHEIBE	4
31	81005082/0	SUPPORTO RUOTA	WHEEL SUPPORT	SUPPORT ROUE	RADHALTER	4
32	81003273/0	ASS. LEVA REGOLAZIONE	HEIGHT ADJ. LEVER ASS'Y	LEVIER REGLAGE	VERSTELLUNGSHEBEL	4
34	12794200/0	VITE	SCREW	VIS	SCHRAUBE	4
35	22170900/0	DISTANZIALE	SPACING	ENTRETOISE	DISTANZRING	4
36	12585100/0	GROWER	GROWER	RONDELLE GROWER	FEDERRING	4
37	12295200/0	DADO	NUT	ECROU	MUTTER	4
38	81003025/0	RUOTA	WHEEL	ROUE	RAD	4
39	12523060/0	RONDELLA	WASHER	RONDELLE	SCHEIBE	4
40	12523060/0	RONDELLA	WASHER	RONDELLE	SCHEIBE	4
41	12293201/0	DADO	NUT	ECROU	MUTTER	4
42	22110272/0	COPRIMOZZO	HUB CAP	COUVRE MOYEU	RADKAPPE	1
43	22869650/0	TUBO PER RUOTA	WHEEL TUBE	TUBE POUR ROUE	BUCHSE	4
44	12521350/0	RONDELLA	WASHER	RONDELLE	SCHEIBE	8
45	12691800/0	VITE	SCREW	VIS	SCHRAUBE	4
46	22172420/0	DISTANZIALE	SPACING	ENTRETOISE	DISTANZRING	4
47	12583500/0	GROWER	GROWER	RONDELLE GROWER	FEDERRING	4
48	12293200/0	DADO	NUT	ECROU	MUTTER	4
49	22483330/0	ASS. PARASASSI	STONE-GUARD ASS'Y	ASS. PARÉ-PIÈRES	PRALLBLECHSATZ	1
50	12791200/0	VITE	SCREW	VIS	SCHRAUBE	2
51	12582100/0	GROWER	GROWER	RONDELLE GROWER	FEDERRING	2
51A	12523040/0	RONDELLA	WASHER	RONDELLE	SCHEIBE	2
52	12292100/0	DADO	NUT	ECROU	MUTTER	2
-	81008545/0	DOTAZIONE VITERIA	SCREWS EQUIPMENT	DOTATION VISSERIE	SCHRAUBENSATZ	1