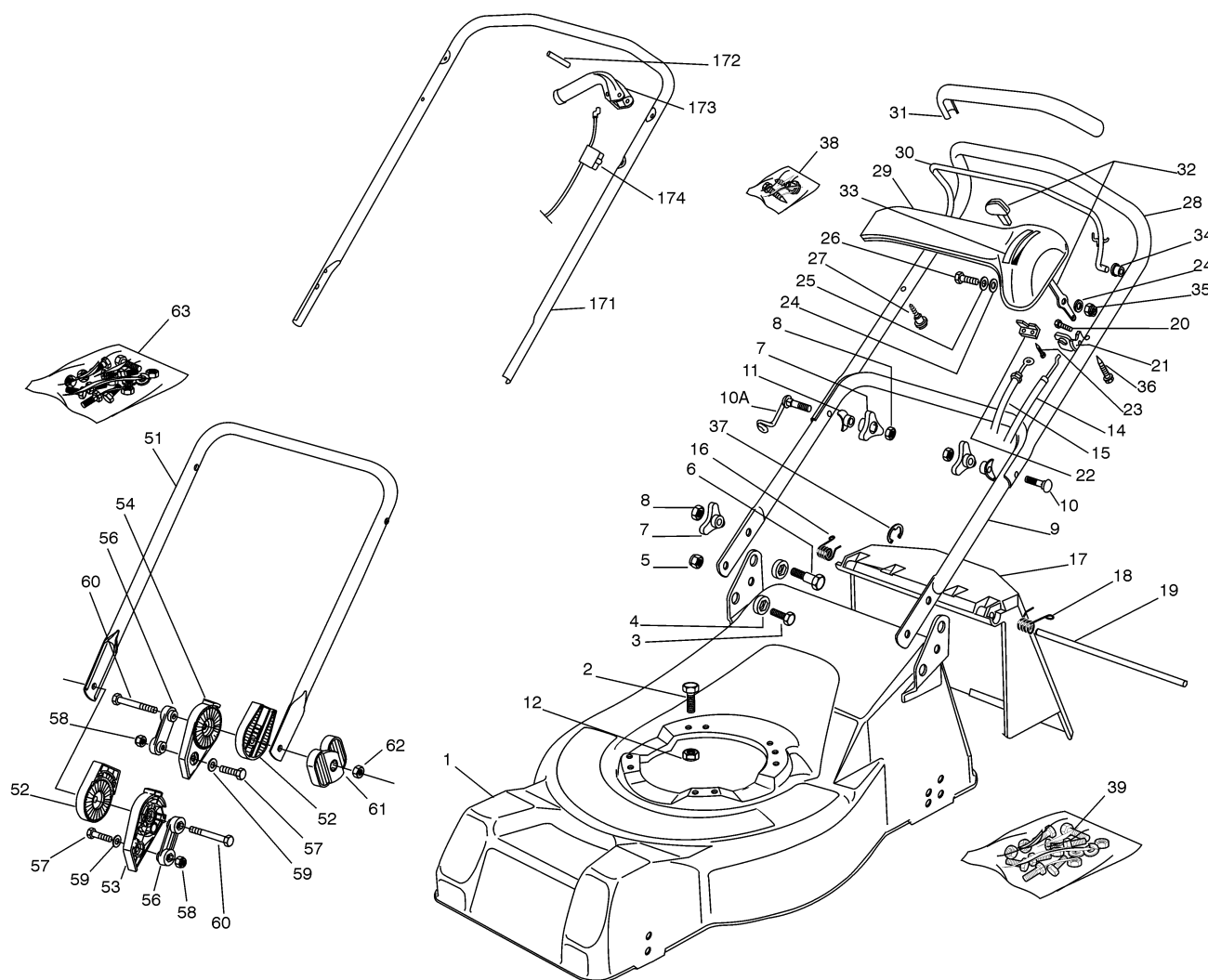
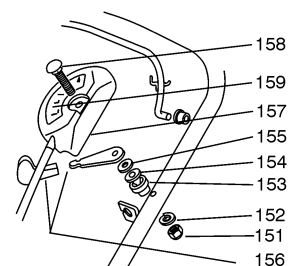
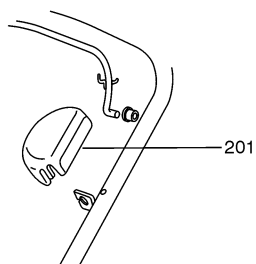


01D_NG414



01T.003

Pos.	Code	Q.ty	Descrizione	Description	Description	Beschreibung	Remarks
1	81002412/0	1	CHASSIS GIALLO	DECK YELLOW	CHÂSSIS JAUNE	GEHÄUSE GELB	(NG 414)
-	81002414/0	1	CHASSIS ROSSO	DECK RED	CHÂSSIS ROUGE	GEHÄUSE ROT	(NG 414)
-	81002487/0	1	CHASSIS VERDE	DECK GREEN	CHÂSSIS VERT	GEHÄUSE GRÜN	(NG 414)
-	81002408/0	1	CHASSIS VERDE	DECK GREEN	CHÂSSIS VERT	GEHÄUSE GRÜN	(NG 464)
-	81002413/0	1	CHASSIS GIALLO	DECK YELLOW	CHÂSSIS JAUNE	GEHÄUSE GELB	(NG 464)
-	81002415/0	1	CHASSIS ROSSO	DECK RED	CHÂSSIS ROUGE	GEHÄUSE ROT	(NG 464)
2	12691800/0	0/1	VITE	SCREW	VIS	SCHRAUBE	
-	12793701/0	3/2	VITE	SCREW	VIS	SCHRAUBE	
3	12792610/0	2	VITE	SCREW	VIS	SCHRAUBE	
4	22041955/0	4	BUSSOLA	BUSH	DOUILLE	BUCHSE	
5	12155000/0	2	DADO	NUT	ECROU	MUTTER	
6	12793700/0	2	VITE	SCREW	VIS	SCHRAUBE	
7	22399900/0	4	MANOPOLINA	KNOB	POIGNÉE	GRIFF	



01T.003

Pos.	Code	Q.ty	Descrizione	Description	Description	Beshreibung	Remarks
8	12293200/0	4	DADO	NUT	ECROU	MUTTER	
9	81006512/0	1	MANICO, PARTE INF	HANDLE, LOWER PART	MANCHERON, PARTIE INFERIEURE	HOLM, UNTERTEIL	
10	12819201/0	1	VITE	SCREW	VIS	SCHRAUBE	
10A	81003801/1	1	MOLLA GUIDA	SPRING	RESSORT	FEDER	
11	22680006/1	2	ROSETTA	WASHER	RONDELLE	SCHEIBE	
12	12155000/0	0/1	DADO	NUT	ECROU	MUTTER	
-	12293201/0	3/2	DADO	NUT	ECROU	MUTTER	
14	81007160/0	1	CAVO ACCELERATORE	CABLE, TROTTLER	CABLE, ACCELERATEUR	KABEL, BESCHLEUNIGER	
15	81000625/0	1	CAVO FRENO MOTORE	CABLE, THREAD MOTOR BRAKE	CABLE FREIN MOTEUR	KABEL, MOTORBREMSE	(B&S CLASSIC / SPRINT / LS / LC)
-	81000633/0	1	CAVO FRENO MOTORE	CABLE, THREAD MOTOR BRAKE	CABLE FREIN MOTEUR	KABEL, MOTORBREMSE	(B&S QUANTUM NG 414)
-	81000631/0	1	CAVO FRENO MOTORE	CABLE, THREAD MOTOR BRAKE	CABLE FREIN MOTEUR	KABEL, MOTORBREMSE	(B&S QUANTUM NG 464)
-	81000629/1	1	CAVO FRENO MOTORE	CABLE, THREAD MOTOR BRAKE	CABLE FREIN MOTEUR	KABEL, MOTORBREMSE	(TECUMSEH)
16	22450410/1	1	MOLLA DX	R SPRING	RESSORT D	RECHTE FEDER	
17	22600028/4	1	PARASASSI	STONE-GUARD	PARE-PIERRES	PRALLBLECH	
18	22450420/1	1	MOLLA SX	L SPRING	RESSORT G	LINKE FEDER	
19	22517906/1	1	PERNO	PIN	PIVOT	BOLZEN	
20	12728518/0	1	VITE	SCREW	VIS	SCHRAUBE	
21	22806612/0	1	SUPPORTO	SUPPORT	SUPPORT	HALTER	
22	22981467/0	1	PIASTRINA	PLATE	PLAQUETTE	PLATTE	
23	12735105/0	2	VITE	SCREW	VIS	SCHRAUBE	
24	12523040/0	2	ROSETTA	WASHER	RONDELLE	SCHEIBE	
25	12530060/0	1	ROSETTA ELASTICA	ELASTIC WASHER	RONDELLE ELASTIQUE	ELASTISCHE SCHEIBE	
26	12791500/0	1	VITE	SCREW	VIS	SCHRAUBE	
27	22943006/0	1	VITE	SCREW	VIS	SCHRAUBE	
28	81007018/1	1	MANICO, PARTE SUP	HANDLE, UPPER PART	MANCHERON, PARTIE SUPERIEURE	HOLM, OBERTEIL	
29	22120152/0	1	CRUSCOTTO GIALLO	DASH BOARD YELLOW	CONSOLE JAUNE	KONSOLE GELBE	
-	22120154/0	1	CRUSCOTTO ROSSO	DASH BOARD RED	CONSOLE ROUGE	KONSOLE ROTE	
-	22120158/0	1	CRUSCOTTO NERO	DASH BOARD BLACK	CONSOLE NOIRE	KONSOLE SCHWARZE	
30	81003291/2	1	LEVA FRENO MOTORE	LEVER, MOTOR BRAKE	LEVIER FREIN MOTEUR	HEBEL, MOTORBREMSE	
31	22291050/0	1	IMPUGNATURA MANICO NERA	HANDGRIP BLACK	POIGNÉE NOIRE	HANDGRIFF SCHWARZER	
-	22291051/0	1	IMPUGNATURA MANICO ROSSA	HANDGRIP RED	POIGNÉE ROUGE	HANDGRIFF RÖTER	
-	22291052/0	1	IMPUGNATURA MANICO GIALLA	HANDGRIP YELLOW	POIGNÉE JAUNE	HANDGRIFF GELBER	
32	81007280/2	1	LEVA, ACCELERATORE	LEVER, THROTTLE	LEVIER, ACCELERATEUR	HEBEL, BESHLEUNIGER	
33	14356744/0	1	ETICHETTA	LABEL	ETIQUETTE	ETIKETTE	(B&S)
-	14356743/0	1	ETICHETTA	LABEL	ETIQUETTE	ETIKETTE	(HONDA)
-	14357646/0	1	ETICHETTA	LABEL	ETIQUETTE	ETIKETTE	(TECUMSEH)
34	22041966/0	2	BUSSOLA	BUSH	DOUILLE	BUCHSE	
35	12154510/0	1	DADO	NUT	ECROU	MUTTER	
36	12728460/0	1	VITE	SCREW	VIS	SCHRAUBE	
37	12000930/0	1	ANELLO ELASTICO	SNAP RING	ANNEAU RESSORT	SPRENGRING	
38	81008609/0	1	DOTAZIONE VITERIA CRUSCOTTO	OUTFIT, DASH-BOARD SCREWS	DOTATION VISSERIE CONSOLLE	SATZ, KONSOLE SCHRAUBEN	
39	81008614/2	1	DOTAZIONE VITERIA	OUTFIT, SCREWS	DOTATION VISSERIE	SATZ, SCHRAUBEN	
-	81008646/0	1	DOTAZIONE VITERIA	OUTFIT, SCREWS	DOTATION VISSERIE	SATZ, SCHRAUBEN	(CLUB GARDEN)

VARIANTE REGOLAZIONE MANICO - HANDLE ADJUSTMENT MODIFICATION - MODIFICATION REGLAGE POIGNEE - ÄNDERUNG GRIFFENSTEEL

01T.004

Pos.	Code	Q.ty	Descrizione	Description	Description	Beshreibung	Remarks
51	81006510/0	1	MANICO, PARTE INF	HANDLE, LOWER PART	MANCHERON, PARTIE INFERIEURE	HOLM, UNTERTEIL	
52	22785081/1	2	SUPPORTO ESTERNO	SUPPORT, EXTERNAL	SUPPORT EXTERNE	HALTER, AUßERE	
53	22785082/0	1	SUPPORTO INTERNO DX	SUPPORT, R INTERNAL	SUPPORT INTERNE D	HALTER, INNERE R	



01T.004

Pos.	Code	Q.ty	Descrizione	Description	Description	Beshreibung	Remarks
54	22785083/1	1	SUPPORTO INTERNO SX	SUPPORT, L INTERNAL	SUPPORT INTERNE G	HALTER, INNERE L	
56	22551575/0	2	PIASTRINA INTERNA	PLATE, INSIDE	PLAQUETTE INTERNE	PLATTE, INNERE	
57	12793701/0	2	VITE	SCREW	VIS	SCHRAUBE	
58	12155000/0	2	DADO	NUT	ECROU	MUTTER	
59	12521350/0	2	ROSETTA	WASHER	RONDELLE	SCHEIBE	
60	12691810/0	2	VITE	SCREW	VIS	SCHRAUBE	
61	22399803/0	2	MANOPOLINA	KNOB	POIGNÉE	GRIFF	
62	12293202/0	2	DADO	NUT	ECROU	MUTTER	
63	81008623/1	1	DOTAZIONE VITERIA	OUTFIT, SCREWS	DOTATION VISSERIE	SATZ, SCHRAUBEN	

VARIANTE ACCELERATORE - THROTTLE MODIFICATION - MODIFICATION COMMANDE D'ACCELERATION - ÄNDERUNGEN AUF GASHEBEL

01T.005

Pos.	Code	Q.ty	Descrizione	Description	Description	Beshreibung	Remarks
151	12291000/0	1	DADO	NUT	ECROU	MUTTER	
152	12581500/0	1	GROWER	GROWER	GROWER	FEDERRING	
153	22171005/0	1	DISTANZIALE	SPACER	ENTRETOISE	DISTANZRING	
154	12521360/0	1	ROSETTA	WASHER	RONDELLE	SCHEIBE	
155	12508100/0	1	ROSETTA ELASTICA	SPRING WASHER	RONDELLE ELASTIQUE	ELASTISCHE SCHEIBE	
156	81007279/0	1	LEVA, ACCELERATORE	LEVER, THROTTLE	LEVIER, ACCELERATEUR	HEBEL, BESHLEUNIGER	
157	81007080/0	1	CAVO ACCELERATORE	CABLE, TROTTLE	CABLE, ACCELERATEUR	KABLE, BESCHLEUNIGER	
158	12815000/0	1	VITE	SCREW	VIS	SCHRAUBE	
159	14356703/0	1	ETICHETTA	LABEL	ETIQUETTE	ETIKETTE	(B&S)
-	14356702/0	1	ETICHETTA	LABEL	ETIQUETTE	ETIKETTE	(HONDA)
-	14356905/0	1	ETICHETTA	LABEL	ETIQUETTE	ETIKETTE	(TECUMSEH)

VARIANTE MANICO - HANDLE MODIFICATION - MODIFICATION POIGNEE - ÄNDERUNGEN GRIFFENSTEEL

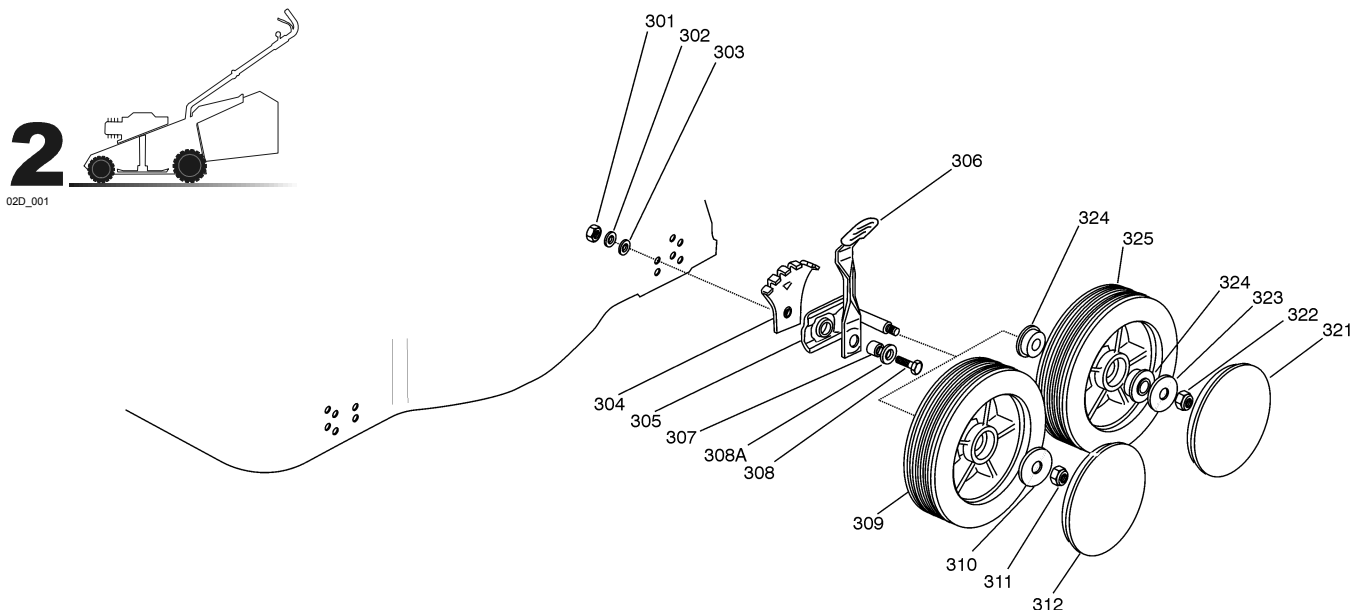
01T.003

Pos.	Code	Q.ty	Descrizione	Description	Description	Beshreibung	Remarks
171	81006547/0	1	MANICO, PARTE SUP	HANDLE, UPPER PART	MANCHERON, PARTIE SUPERIEURE	HOLM, OBERTEIL	
172	12645710/0	1	SPINA	PIN	GOUPILLE	STIFT	
173	22321700/0	1	LEVA FRENO MOTORE	LEVER, MOTOR BRAKE	LEVIER FREIN MOTEUR	HEBEL, MOTORBREMSE	
174	81000652/0	1	CAVO FRENO MOTORE	CABLE, THREAD MOTOR BRAKE	CABLE FREIN MOTEUR	KABEL, MOTORBREMSE	(B&S)
-	81000651/0	1	CAVO FRENO MOTORE	CABLE, THREAD MOTOR BRAKE	CABLE FREIN MOTEUR	KABEL, MOTORBREMSE	(TECUMSEH)

VARIANTE REGIME FISSO - FIXED SPEED MODIFICATION - MODIFICATION POUR MODÈLE À REGIME FIXE - ÄNDERUNGEN FÜR MODELLE MIT FESTEN DRENZ

01T.006

Pos.	Code	Q.ty	Descrizione	Description	Description	Beshreibung	Remarks
201	22601000/0	1	PROTEZIONE	PROTECTION	PROTECTION	SCHUTZ	



02T.001

Pos.	Code	Q.ty	Descrizione	Description	Description	Beschreibung	Remarks
301	12293200/0	4	DADO	NUT	ECROU	MUTTER	
302	12583500/0	4	GROWER	GROWER	GROWER	FEDERRING	
303	12523070/0	4	ROSETTA	WASHER	RONDELLE	SCHEIBE	
304	22735547/0	4	SETTORE REGOLAZIONE ALTEZZA	SECTOR, HEIGHT ADJUSTMENT	SECTEUR REGLAGE HAUTEUR	SEKTOR, HÖHEVERSTELLUNG	
305	81005082/0	4	SUPPORTO RUOTA	SUPPORT, WHEEL	SUPPORT ROUE	HALTER, RAD	
306	81003285/1	4	LEVA REGOLAZIONE ALTEZZA	LEVER, HEIGHT ADJUSTMENT	LEVIER, REGLAGE HAUTEUR	HEBEL, HÖHEVERSTELLUNG	
307	22171001/0	4	DISTANZIALE	SPACER	ENTRETOISE	DISTANZRING	
308	12793701/0	4	VITE	SCREW	VIS	SCHRAUBE	
308A	12521350/0	4	ROSETTA	WASHER	RONDELLE	SCHEIBE	
309	81007325/0	4	RUOTA Ø 170	WHEEL Ø 170	ROUE Ø 170	RAD Ø 170	
310	12523060/0	4	ROSETTA	WASHER	RONDELLE	SCHEIBE	
311	12293201/0	4	DADO	NUT	ECROU	MUTTER	
312	22110262/0	4	COPRIMOZZO BIANCO	HUB CAP WHITE	COUVRE-MOYEU BLANC	RADKAPPE WEIßE	
313	22110263/0	4	COPRIMOZZO GIALLO	HUB CAP YELLOW	COUVRE-MOYEU JAUNE	RADKAPPE GELBE	
314	22110264/0	4	COPRIMOZZO ROSSO	HUB CAP RED	COUVRE-MOYEU ROUGE	RADKAPPE ROTE	

VARIANTI RUOTE Ø 170 SU BOCCOLE - WHEEL Ø 170 MODIFICATIONS ON BUSHES - MODIFICATIONS ROUES Ø 170 SUR DOUILLES - ÄNDERUNGEN AUF RÄD

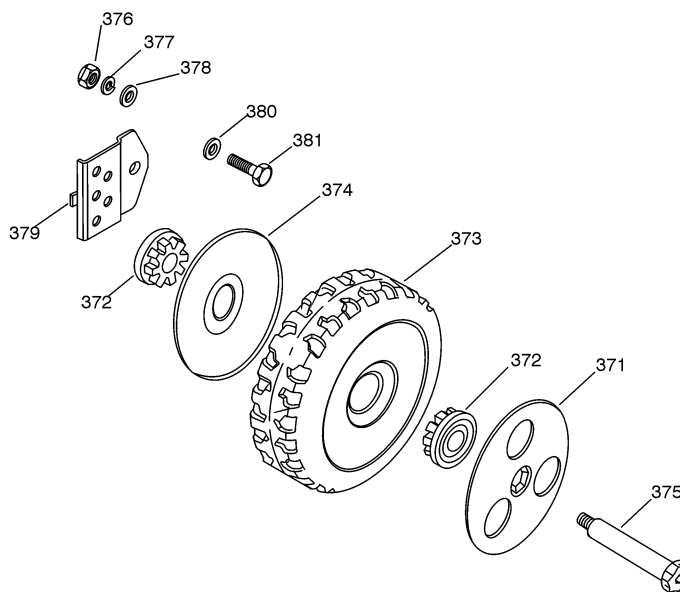
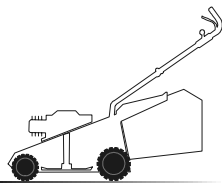
02T.001

Pos.	Code	Q.ty	Descrizione	Description	Description	Beschreibung	Remarks
321	22110262/0	4	COPRIMOZZO BIANCO	HUB CAP WHITE	COUVRE-MOYEU BLANC	RADKAPPE WEIßE	
-	22110263/0	4	COPRIMOZZO GIALLO	HUB CAP YELLOW	COUVRE-MOYEU JAUNE	RADKAPPE GELBE	
-	22110264/0	4	COPRIMOZZO ROSSO	HUB CAP RED	COUVRE-MOYEU ROUGE	RADKAPPE ROTE	
322	12155000/0	4	DADO	NUT	ECROU	MUTTER	
323	12523060/0	4	ROSETTA	WASHER	RONDELLE	SCHEIBE	
324	22034508/0	8	BUSSOLA	BUSH	DOUILLE	BUCHSE	
325	81007326/0	4	RUOTA Ø 170	WHEEL Ø 170	ROUE Ø 170	RAD Ø 170	



2

02D_032

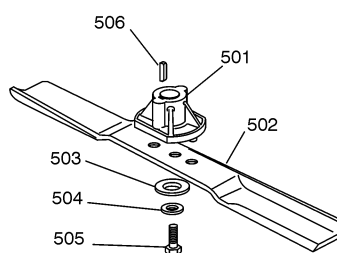
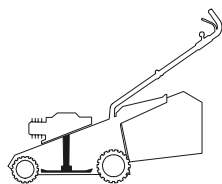


02T_032

Pos.	Code	Q.ty	Descrizione	Description	Description	Beschreibung	Remarks
371	22110320/0	4	COPRIMOZZO BIANCO	HUB CAP WHITE	COUVRE-MOYEU BLANC	RADKAPPE WEIßE	
372	22034511/0	4	BUSSOLA	BUSH	DOUILLE	BUCHSE	
373	81007346/0	4	RUOTA Ø 165	WHEEL Ø 165	ROUE Ø 165	RAD Ø 165	
374	22600095/0	4	PROTEZIONE	PROTECTION	PROTECTION	SCHUTZ	
375	22524321/0	4	PERNO	PIN	PIVOT	BOLZEN	
376	12293200/0	4	DADO	NUT	ECROU	MUTTER	
377	12583500/0	4	GROWER	GROWER	GROWER	FEDERRING	
378	12523070/0	4	ROSETTA	WASHER	RONDELLE	SCHEIBE	
379	22551515/0	4	PIASTRINA	PLATE	PLAQUETTE	PLATTE	
380	12521350/0	4	ROSETTA	WASHER	RONDELLE	SCHEIBE	
381	12793102/0	4	VITE	SCREW	VIS	SCHRAUBE	

5

05D_002



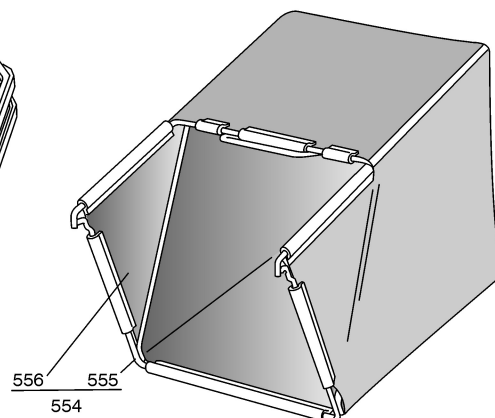
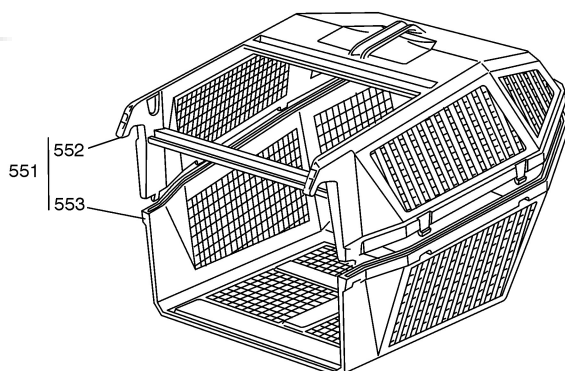
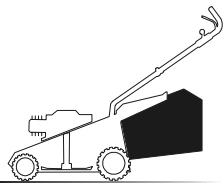
05T_002

Pos.	Code	Q.ty	Descrizione	Description	Description	Beschreibung	Remarks
501	22463012/1	1	MOZZO	HUB	MOYEU	HALTER	
502	81004360/3	1	COLTELLO STANDARD	BLADE STANDARD	LAME STANDARD	MESSER STANDARD	(39 cm)
-	81004365/3	1	COLTELLO STANDARD	BLADE STANDARD	LAME STANDARD	MESSER STANDARD	(44 cm)
503	22160400/0	1	DISCO ELASTICO	ELASTIC WASHER	RONDELLE ELASTIQUE	ELASTISCHE SCHEIBE	
504	12523080/0	1	ROSETTA	WASHER	RONDELLE	SCHEIBE	
505	12735698/0	1	VITE	SCREW	VIS	SCHRAUBE	
506	12139100/0	1	LINGUETTA	FEATHER	CLAVETTE	KEIL	



6

06D_001



06T.001

Pos.	Code	Q.ty	Descrizione	Description	Description	Beshreibung	Remarks
551	98005000/1	1	SACCO, COMPLETO	GRASSCATCHER, COMPLETE	SAC, COMPLETE	SACK, KOMPLETTE	
552	22486076/0	1	SACCO, PARTE SUP	GRASS-BOX, UPPER PART	SAC, PARTIE SUPERIEURE	KORB, OBERTEIL	
553	22486077/0	1	SACCO, PARTE INF	GRASS-BOX, LOWER PART	SAC, PARTIE INFERIEURE	KORB, UNTERTEIL	
554	98004000/0	1	SACCO IN TELA, COMPLETO	GRASSCATCHER, CANVASS COMPLETE	SAC EN TOILE, COMPLETE	SACK, KOMPLETTE	
555	81006408/0	1	TELAIO SACCO	CHASSIS BOX	CHÂSSIS BAC	RAHMEN SACK	
556	81002105/2	1	SACCO, TELA	BOX, FABRIC	SAC, TOILE	SACK, TUCK	