

M

ML

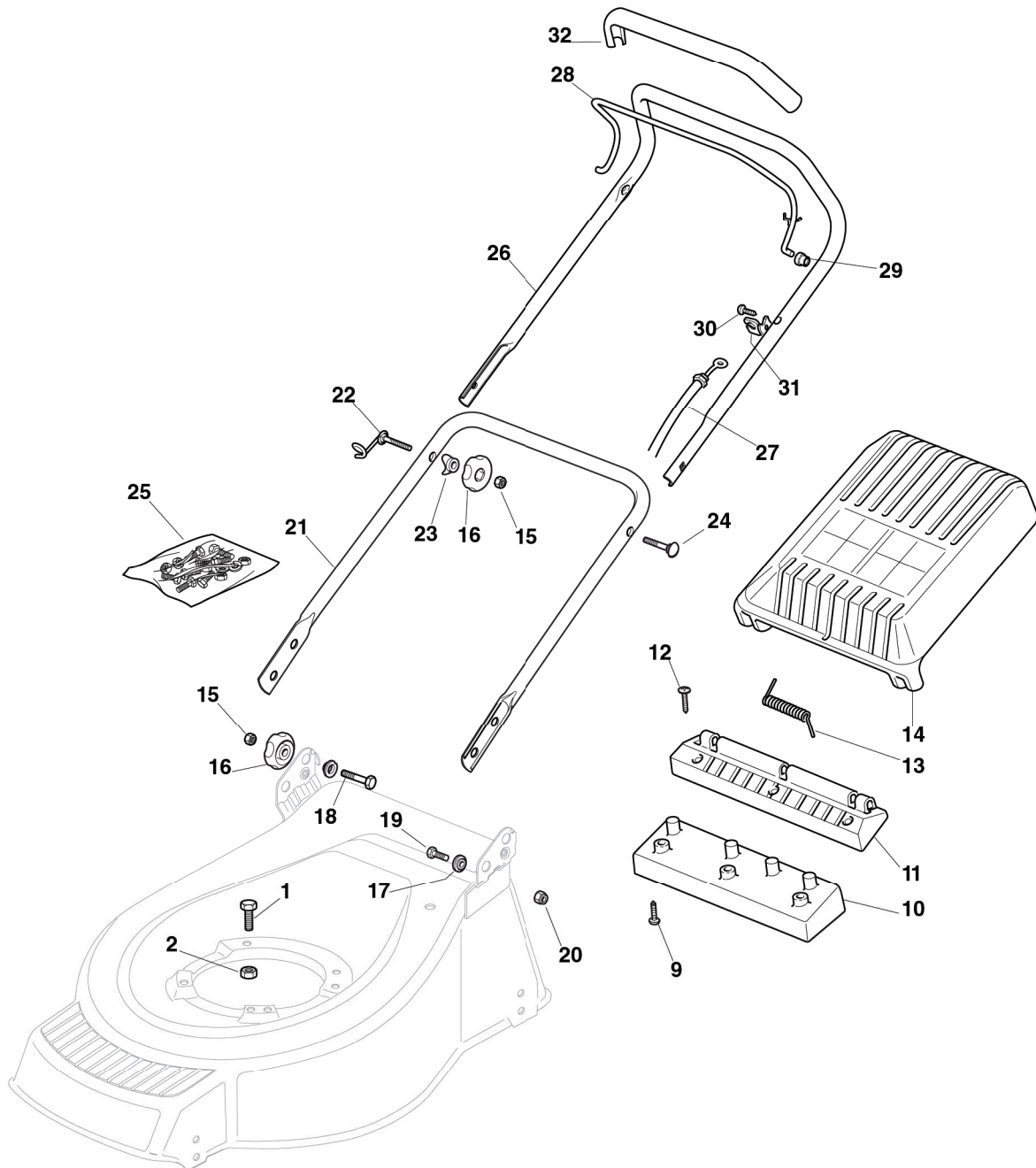
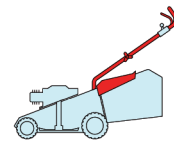
484

534

2008

671.0

1 / 2



POS.	CODE	Q.TY	DESCRIZIONE	DESCRIPTION	DESCRIPTION	BESCHREIBUNG	REMARKS
1	12691800/0	0/1	VITE	SCREW	VIS	SCHRAUBE	
-	12793701/0	3/2	VITE	SCREW	VIS	SCHRAUBE	
2	12155000/0	0/1	DADO	NUT	ECROU	MUTTER	
-	12293201/0	3/2	DADO	NUT	ECROU	MUTTER	
9	12731600/1	3	VITE	SCREW	VIS	SCHRAUBE	
10	22785127/0	1	AGGANCIAMENTO SACCO NERO	SUPPORT	SUPPORT	HALTER	
11	22785119/0	1	FULCRO PARASASSI NERO	FULCRUM PIN	POINT D'APPUI	GELENKPUNKT	
12	12728680/0	3	VITE	SCREW	VIS	SCHRAUBE	
13	22450430/0	1	MOLLA	SPRING	RESSORT	FEDER	

POS.	CODE	Q.TY	DESCRIZIONE	DESCRIPTION	DESCRIPTION	BESCHREIBUNG	REMARKS
14	22600068/1	1	PARASASSI NERO	STONE-GUARD, BLACK	PARE-PIERRES	PRALLBLECH	
15	12293200/0	4	DADO	NUT	ECROU	MUTTER	
16	322399804/1	4	MANOPOLINA	KNOB	POIGNÉE	GRIFF	
17	22041955/0	4	BUSSOLA	BUSH	DOUILLE	BUCHSE	
18	12793700/0	2	VITE	SCREW	VIS	SCHRAUBE	
19	12792610/0	2	VITE	SCREW	VIS	SCHRAUBE	
20	12155000/0	2	DADO	NUT	ECROU	MUTTER	
21	81006512/0	1	MANICO, PARTE INF	HANDLE, LOWER PART	MANCHERON, PARTIE INFERIEURE	HOLM, UNTERTEIL	
22	81003801/1	1	MOLLA GUIDA	SPRING	RESSORT	FEDER	
23	22680006/1	2	ROSETTA	WASHER	RONDELLE	SCHEIBE	
24	12819201/0	1	VITE	SCREW	VIS	SCHRAUBE	
25	81008637/1	1	DOTAZIONE VITERIA	OUTFIT, SCREWS	DOTATION VISSERIE	SATZ, SCHRAUBEN	
26	81007018/1	1	MANICO, PARTE SUP	HANDLE, UPPER PART	MANCHERON, PARTIE SUPERIEURE	HOLM, OBERTEIL	
27	81000611/0	1	CAVO FRENO MOTORE	CABLE, THREAD ENGINE BRAKE	CABLE FREIN MOTEUR	KABEL, MOTORBREMSE	(GGP 150CC)
-	81000625/0	1	CAVO FRENO MOTORE	CABLE, THREAD ENGINE BRAKE	CABLE FREIN MOTEUR	KABEL, MOTORBREMSE	484 (B&S 450-500 SERIES)
-	81000631/0	1	CAVO FRENO MOTORE	CABLE, THREAD ENGINE BRAKE	CABLE FREIN MOTEUR	KABEL, MOTORBREMSE	484 (B&S 675 SERIES ES)
-	81000757/0	1	CAVO FRENO MOTORE	CABLE, THREAD ENGINE BRAKE	CABLE FREIN MOTEUR	KABEL, MOTORBREMSE	484 (B&S 675 SERIES)
-	81000757/0	1	CAVO FRENO MOTORE	CABLE, THREAD ENGINE BRAKE	CABLE FREIN MOTEUR	KABEL, MOTORBREMSE	484 (GGP 160CC)
-	81000642/1	1	CAVO FRENO MOTORE	CABLE, THREAD ENGINE BRAKE	CABLE FREIN MOTEUR	KABEL, MOTORBREMSE	484 (GGP 200CC)
-	81000753/0	1	CAVO FRENO MOTORE	CABLE, THREAD ENGINE BRAKE	CABLE FREIN MOTEUR	KABEL, MOTORBREMSE	484 (GGP 200CC ES)
-	81000641/0	1	CAVO FRENO MOTORE	CABLE, THREAD ENGINE BRAKE	CABLE FREIN MOTEUR	KABEL, MOTORBREMSE	484 (HONDA GCV 135/160/190)
-	81000643/0	1	CAVO FRENO MOTORE	CABLE, THREAD ENGINE BRAKE	CABLE FREIN MOTEUR	KABEL, MOTORBREMSE	534 (B&S 450-500 SERIES)
-	81000642/1	1	CAVO FRENO MOTORE	CABLE, THREAD ENGINE BRAKE	CABLE FREIN MOTEUR	KABEL, MOTORBREMSE	534 (B&S 675 SERIES ES)
-	81000756/0	1	CAVO FRENO MOTORE	CABLE, THREAD ENGINE BRAKE	CABLE FREIN MOTEUR	KABEL, MOTORBREMSE	534 (B&S 675 SERIES)
-	81000756/0	1	CAVO FRENO MOTORE	CABLE, THREAD ENGINE BRAKE	CABLE FREIN MOTEUR	KABEL, MOTORBREMSE	534 (GGP 160CC)
-	81000616/1	1	CAVO FRENO MOTORE	CABLE, THREAD ENGINE BRAKE	CABLE FREIN MOTEUR	KABEL, MOTORBREMSE	534 (GGP 200CC)
-	81000640/0	1	CAVO FRENO MOTORE	CABLE, THREAD ENGINE BRAKE	CABLE FREIN MOTEUR	KABEL, MOTORBREMSE	534 (HONDA GCV 135/160/190)
28	81003291/3	1	LEVA FRENO MOTORE	LEVER, ENGINE BRAKE	LEVIER FREIN MOTEUR	HEBEL, MOTORBREMSE	
29	22041966/0	2	BUSSOLA	BUSH	DOUILLE	BUCHSE	
30	12728518/0	1	VITE	SCREW	VIS	SCHRAUBE	
31	22806612/0	1	SUPPORTO	SUPPORT	SUPPORT	HALTER	
32	22291050/0	1	IMPUGNATURA MANICO NERA	HANDGRIP BLACK	POIGNÉE NOIRE	HANDGRIFF SCHWARZ	

M

ML

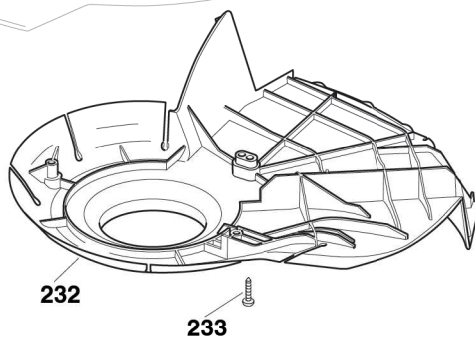
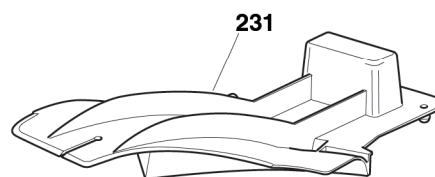
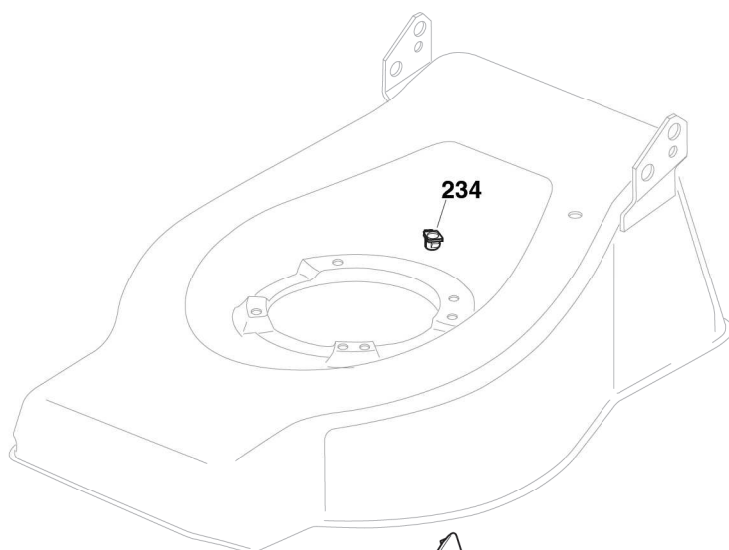
484

534

2008

671a.0

1 / 1



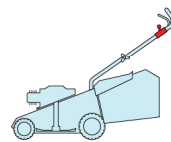
POS.	CODE	Q.TY	DESCRIZIONE	DESCRIPTION	DESCRIPTION	BESCHREIBUNG	REMARKS
231	22140223/0	1	DEFLETTORE	DEFLECTOR	DEFLECTEUR	DEFLEKTOR	484
-	22140222/0	1	DEFLETTORE	DEFLECTOR	DEFLECTEUR	DEFLEKTOR	534
232	22060198/0	1	CARTER	PROTECTION	PROTECTION	SCHUTZ	484
-	322060197/2	1	CARTER	PROTECTION	PROTECTION	SCHUTZ	534
233	12728530/0	3	VITE	SCREW	VIS	SCHRAUBE	
234	22291150/0	1	INSERTO IN GOMMA	RUBBER INSERT	INSERT DE	GUMMI EINSATZ	

M

ML

484

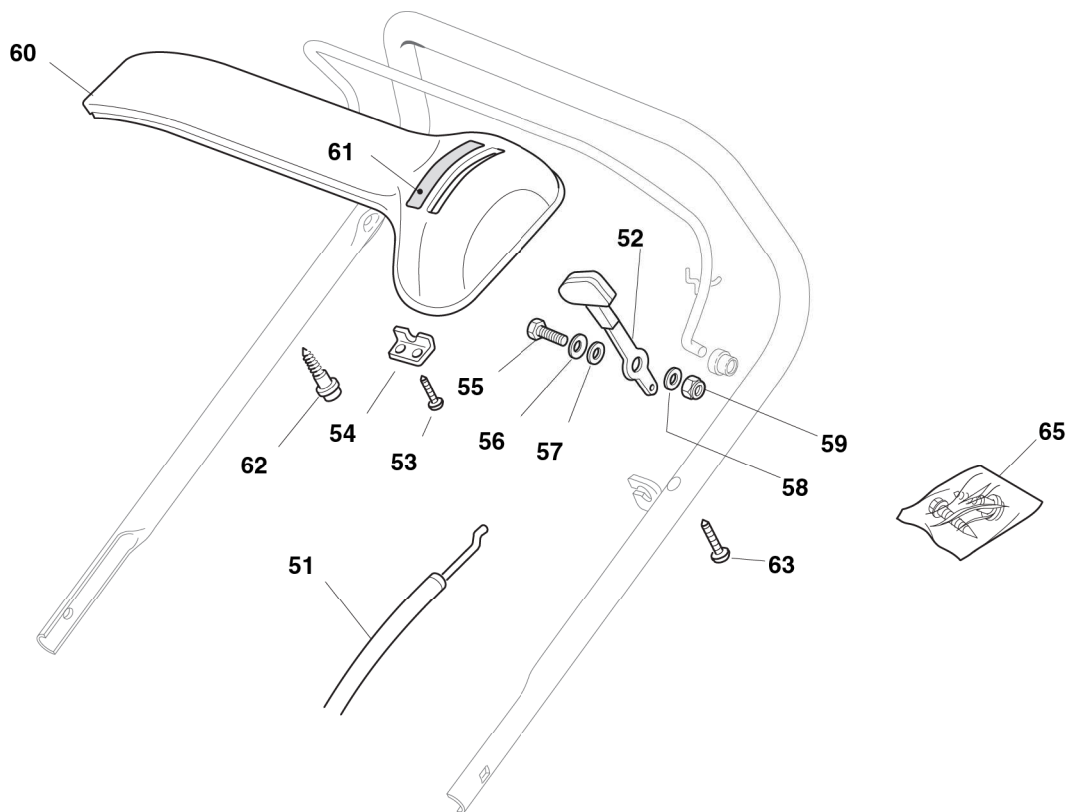
534



2008

672.0

1 / 1



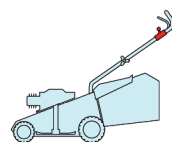
POS.	CODE	Q.TY	DESCRIZIONE	DESCRIPTION	DESCRIPTION	BESCHREIBUNG	REMARKS
51	81007160/0	1	CAVO ACCELERATORE	THROTTLE CABLE	CABLE, ACCELERATEUR	GASHEBEL KABEL	
52	81007280/2	1	LEVA, ACCELERATORE	LEVER, THROTTLE	LEVIER,	HEBEL, BESHLEUNIGER	(B&S 625/650/675 SERIES - HONDA - GGP 160/200 CC)
-	81007221/0	1	LEVA, ACCELERATORE	LEVER, THROTTLE	LEVIER,	HEBEL, BESHLEUNIGER	(B&S 450/500 SERIES - GGP 150 CC)
53	12735105/0	2	VITE	SCREW	VIS	SCHRAUBE	
54	22981467/0	1	PIASTRINA	PLATE	PLAQUETTE	PLATTE	
55	12791500/0	1	VITE	SCREW	VIS	SCHRAUBE	
56	12530060/0	1	ROSETTA ELASTICA	ELASTIC WASHER	RONDELLE ELASTIQUE	ELASTISCHE SCHEIBE	
57	12523040/0	1	ROSETTA	WASHER	RONDELLE	SCHEIBE	
58	12523040/0	1	ROSETTA	WASHER	RONDELLE	SCHEIBE	
59	12154510/0	1	DADO	NUT	ECROU	MUTTER	
60	22120152/0	1	CRUSCOTTO GIALLO	DASH BOARD YELLOW	CONSOLE JAUNE	KONSOLE GELBE	
-	22120154/0	1	CRUSCOTTO ROSSO	DASH BOARD RED	CONSOLE ROUGE	KONSOLE ROTE	
-	22120158/0	1	CRUSCOTTO NERO	DASH BOARD BLACK	CONSOLE NOIRE	KONSOLE SCHWARZE	
61	114356744/1	1	ETICHETTA	LABEL	ETIQUETTE	ETIKETTE	(B&S)
-	114356743/1	1	ETICHETTA	LABEL	ETIQUETTE	ETIKETTE	(HONDA - GGP ENGINE)
62	22943006/0	1	VITE	SCREW	VIS	SCHRAUBE	
63	12728460/0	1	VITE	SCREW	VIS	SCHRAUBE	
65	81008609/0	1	DOTAZIONE VITERIA CRUSCOTTO	OUTFIT, DASH-BOARD SCREWS	DOTATION VISSERIE CONSOLLE	SATZ, KONSOLLE SCHRAUBEN	

M

ML

484

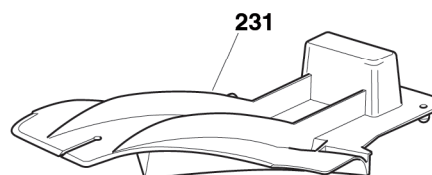
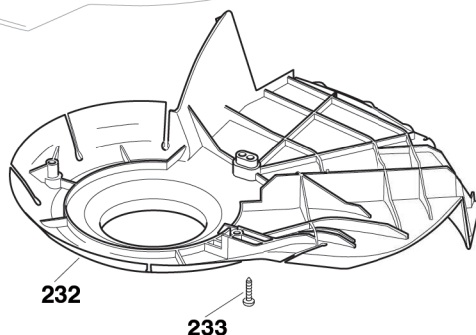
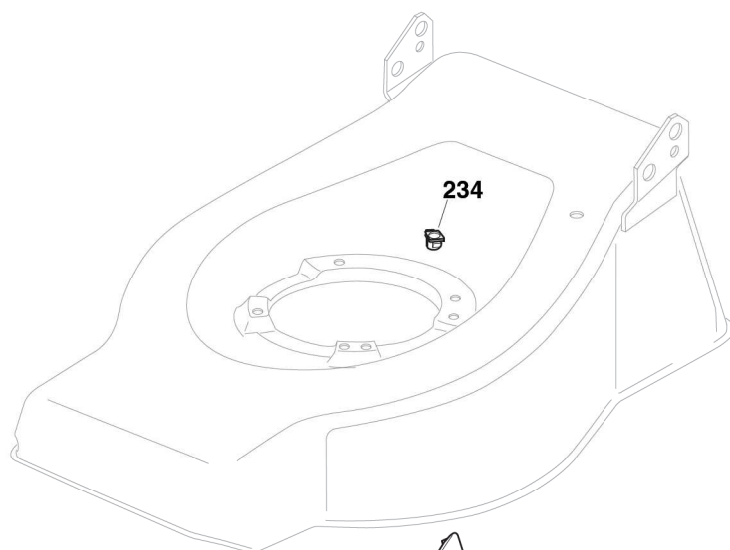
534



2008

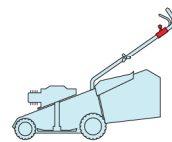
672a.0

1 / 1

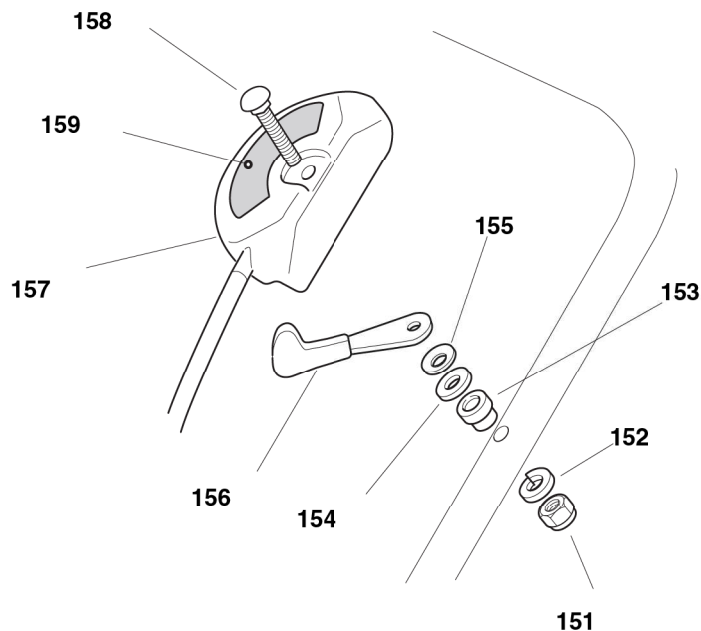


POS.	CODE	Q.TY	DESCRIZIONE	DESCRIPTION	DESCRIPTION	BESCHREIBUNG	REMARKS
71	81006979/2	1	MANICO, PARTE SUP	HANDLE, UPPER PART	MANCHERON, PARTIE SUP.	HOLM, OBERTEIL	
72	12689500/0	1	VITE	SCREW	VIS	SCHRAUBE	
73	22551640/0	1	PIASTRINA	PLATE	PLAQUETTE	PLÄTTCHEN	
76	81000657/0	1	CAVO FRENO MOTORE	CABLE, THREAD ENGINE BRAKE	CABLE FREIN MOTEUR	KABEL, MOTORBREMSE	(GGP 160CC)
-	81000708/0	1	CAVO FRENO MOTORE	CABLE, THREAD ENGINE BRAKE	CABLE FREIN MOTEUR	KABEL, MOTORBREMSE	484 (B&S 450-500 series)
-	81000708/0	1	CAVO FRENO MOTORE	CABLE, THREAD ENGINE BRAKE	CABLE FREIN MOTEUR	KABEL, MOTORBREMSE	484 (HONDA GCV 135/160/190)
-	81000708/0	1	CAVO FRENO MOTORE	CABLE, THREAD ENGINE BRAKE	CABLE FREIN MOTEUR	KABEL, MOTORBREMSE	534 (B&S 450-500 series)
-	81000708/0	1	CAVO FRENO MOTORE	CABLE, THREAD ENGINE BRAKE	CABLE FREIN MOTEUR	KABEL, MOTORBREMSE	534 (B&S 675 series ES)
-	81000720/1	1	CAVO FRENO MOTORE	CABLE, THREAD ENGINE BRAKE	CABLE FREIN MOTEUR	KABEL, MOTORBREMSE	(GGP 150cc)
-	81000731/1	1	CAVO FRENO MOTORE	CABLE, THREAD ENGINE BRAKE	CABLE FREIN MOTEUR	KABEL, MOTORBREMSE	(GGP 200cc)
-	81000731/1	1	CAVO FRENO MOTORE	CABLE, THREAD ENGINE BRAKE	CABLE FREIN MOTEUR	KABEL, MOTORBREMSE	534 (HONDA GCV 135/160/190)
-	181000755/0	1	CAVO FRENO MOTORE	CABLE, THREAD ENGINE BRAKE	CABLE FREIN MOTEUR	KABEL, MOTORBREMSE	484 (B&S 675 series)
-	181000755/0	1	CAVO FRENO MOTORE	CABLE, THREAD ENGINE BRAKE	CABLE FREIN MOTEUR	KABEL, MOTORBREMSE	534 (B&S 675 series)
77	81003298/1	1	LEVA FRENO MOTORE	LEVER, ENGINE BRAKE	LEVIER FREIN MOTEUR	HEBEL, MOTORBREMSE	
78	12154510/0	1	DADO	NUT	ECROU	MUTTER	

M	ML
484	534



2008
672b.0
1 / 1



POS.	CODE	Q.TY	DESCRIZIONE	DESCRIPTION	DESCRIPTION	BESCHREIBUNG	REMARKS
151	12291000/0	1	DADO	NUT	ECROU	MUTTER	.
152	12581500/0	1	GROWER	GROWER	GROWER	FEDERRING	.
153	22171005/0	1	DISTANZIALE	SPACER	ENTRETOISE	DISTANZRING	.
154	12521360/0	1	ROSETTA	WASHER	RONDELLE	SCHEIBE	.
155	12508100/0	1	ROSETTA ELASTICA	SPRING WASHER	RONDELLE ELASTIQUE	ELASTISCHE SCHEIBE	.
156	81007279/1	1	LEVA, ACCELERATORE	LEVER, THROTTLE	LEVIER, ACCELERATEUR	HEBEL, BESHLEUNIGER	(B&S 625/650/675 series - HONDA - GGP 160/200 cc)
-	81007220/0	1	LEVA, ACCELERATORE	LEVER, THROTTLE	LEVIER, ACCELERATEUR	HEBEL, BESHLEUNIGER	(B&S 450/500 series - GGP 150 cc)
157	81007080/0	1	CAVO ACCELERATORE	THROTTLE CABLE	CABLE, ACCELERATEUR	GASHEBEL KABEL	.
158	12815000/0	1	VITE	SCREW	VIS	SCHRAUBE	.
159	14356703/0	1	ETICHETTA	LABEL	ETIQUETTE	ETIKETTE	(B&S)
-	14356702/0	1	ETICHETTA	LABEL	ETIQUETTE	ETIKETTE	(GGP ENGINE - HONDA)

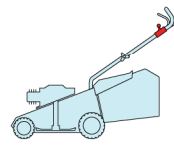
TABLES

M

ML

484

534

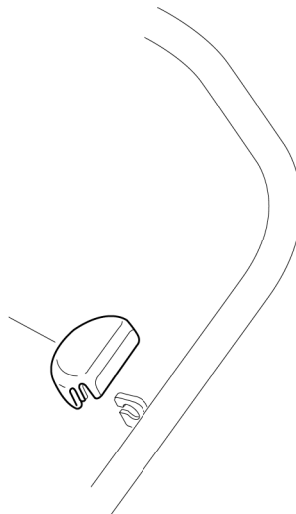


2008

672c.0

1 / 1

201



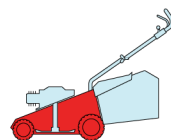
POS.	CODE	Q.TY	DESCRIZIONE	DESCRIPTION	DESCRIPTION	BESCHREIBUNG	REMARKS
201	22601000/0	1	PROTEZIONE	PROTECTION	PROTECTION	SCHUTZ	

M

ML

484

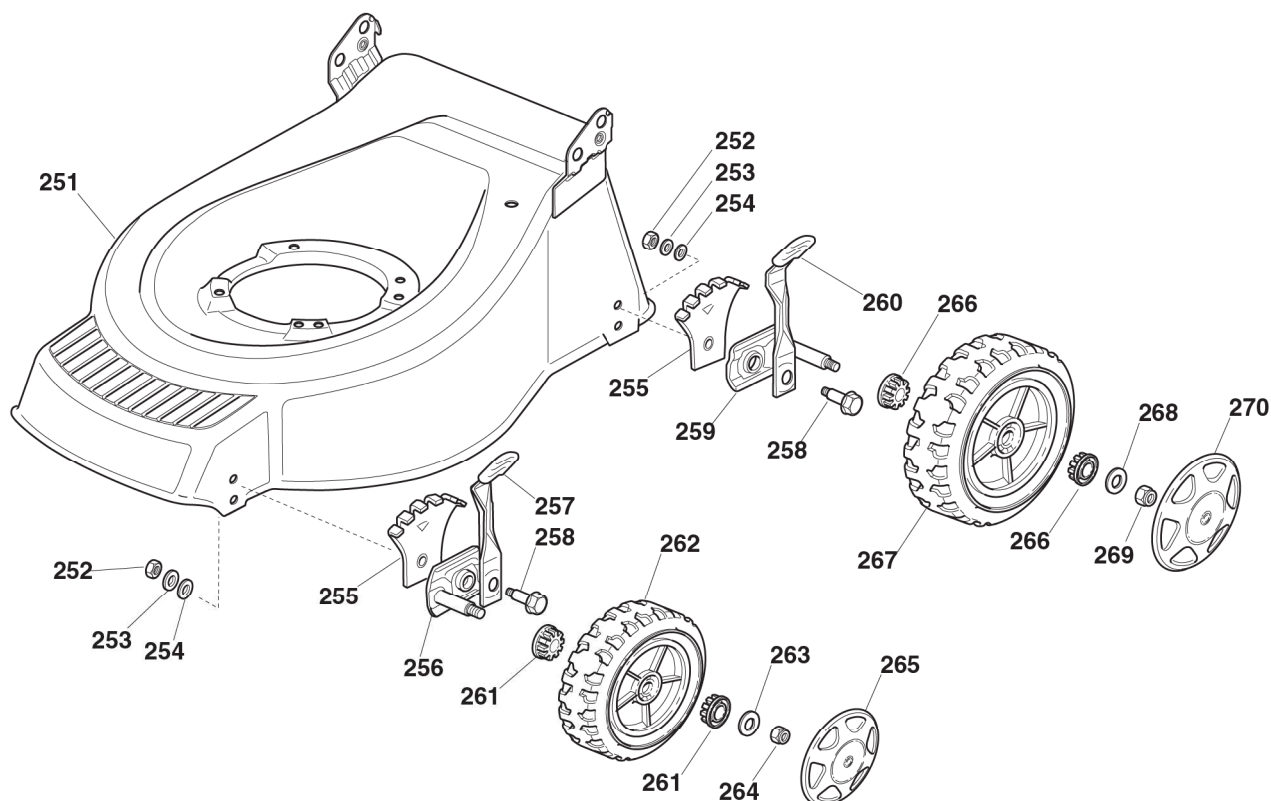
534



2008

673.0

1 / 1



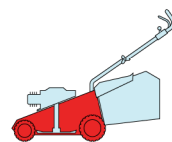
POS.	CODE	Q.TY	DESCRIZIONE	DESCRIPTION	DESCRIPTION	BESCHREIBUNG	REMARKS
251	81002973/0	1	CHASSIS GIALLO	DECK YELLOW	CHÂSSIS JAUNE	GEHÄUSE GELB	484
252	12293200/0	4	DADO	NUT	ECROU	MUTTER	
253	12583500/0	4	GROWER	GROWER	GROWER	FEDERRING	
254	12523070/0	4	ROSETTA	WASHER	RONDELLE	SCHEIBE	
255	22735547/0	4	SETTORE REGOLAZIONE ALTEZZA	SECTOR, HEIGHT ADJUSTMENT	SECTEUR REGLAGE HAUTEUR	SEKTOR, HÖHEVERSTELLUNG	
256	81005082/0	2	SUPPORTO RUOTA	SUPPORT, WHEEL	SUPPORT ROUE	HALTER, RAD	
257	81003285/1	2	LEVA REGOLAZIONE ALTEZZA	LEVER, HEIGHT ADJUSTMENT	LEVIER, REGLAGE HAUTEUR	HEBEL, HÖHEVERSTELLUNG	
258	22519811/0	4	PERNO	PIN	PIVOT	BOLZEN	
259	81005084/0	2	SUPPORTO RUOTA	SUPPORT, WHEEL	SUPPORT ROUE	HALTER, RAD	
260	81003286/0	2	LEVA REGOLAZIONE ALTEZZA	LEVER, HEIGHT ADJUSTMENT	LEVIER, REGLAGE HAUTEUR	HEBEL, HÖHEVERSTELLUNG	
261	22034508/0	4	BUSSOLA	BUSH	DOUILLE	BUCHSE	
262	81007351/0	2	RUOTA Ø 170	WHEEL Ø 170	ROUE Ø 170	RAD Ø 170	
263	12523060/0	2	ROSETTA	WASHER	RONDELLE	SCHEIBE	
264	12155000/0	2	DADO	NUT	ECROU	MUTTER	
265	-	2	COPRIMOZZO	HUB CAP	COUVRE-MOYEU	RADKAPPE	(SEE ENCLOSURE 1)
266	22034508/0	4	BUSSOLA	BUSH	DOUILLE	BUCHSE	
267	81007343/0	2	RUOTA Ø 210	WHEEL Ø 210	ROUE Ø 210	RAD Ø 210	
268	12523060/0	2	ROSETTA	WASHER	RONDELLE	SCHEIBE	
269	12155000/0	2	DADO	NUT	ECROU	MUTTER	
270	-	2	COPRIMOZZO	HUB CAP	COUVRE-MOYEU	RADKAPPE	(SEE ENCLOSURE 2)

M

ML

484

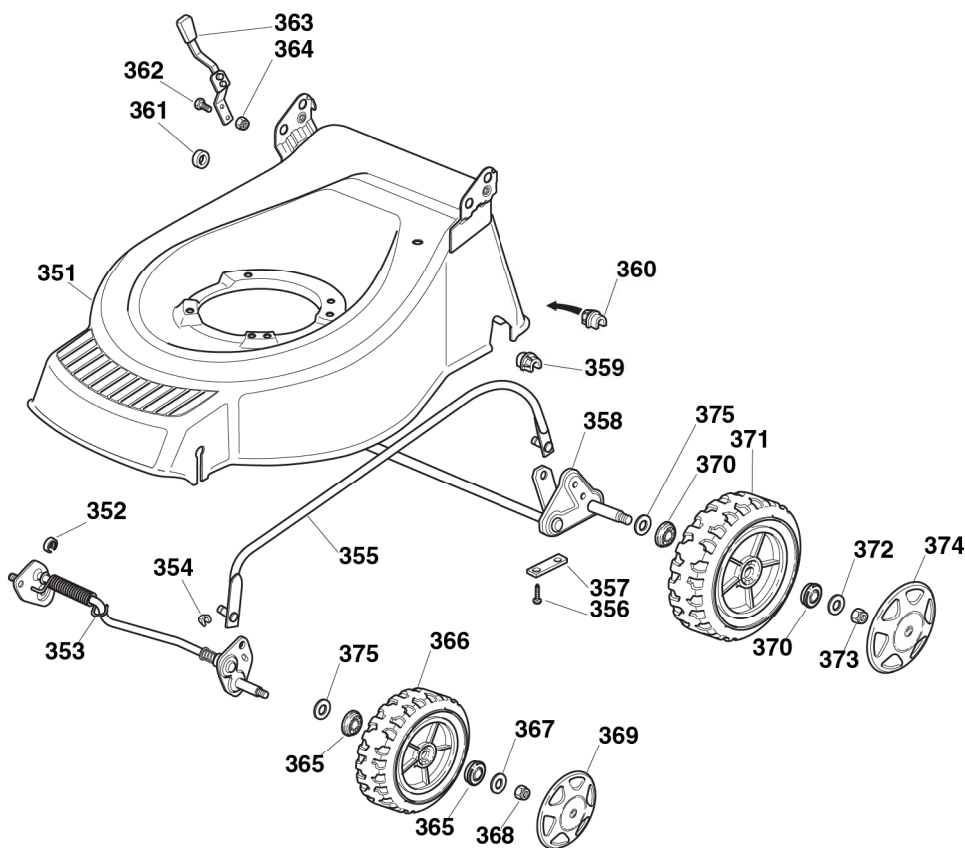
534



2008

673a.0

1 / 2



POS.	CODE	Q.TY	DESCRIZIONE	DESCRIPTION	DESCRIPTION	BESCHREIBUNG	REMARKS
351	81002421/0	1	CHASSIS GIALLO	DECK YELLOW	CHÂSSIS JAUNE	GEHÄUSE GELB	484
-	81001954/0	1	CHASSIS GIALLO	DECK YELLOW	CHÂSSIS JAUNE	GEHÄUSE GELB	534
352	22171002/0	1	DISTANZIALE	SPACER	ENTRETOISE	DISTANZRING	
353	81000141/1	1	ASSE RUOTE ANTERIORI	AXLE, FRONT WHEELS	AXE ROUES AVANT	ACHSE, VORDERRAD	484
-	81000143/1	1	ASSE RUOTE ANTERIORI	AXLE, FRONT WHEELS	AXE ROUES AVANT	ACHSE, VORDERRAD	534
354	12436050/0	2	PIASTRINA	PLATE	PLAQUETTE	PLÄTTCHEN	
355	81006481/1	1	ASTA COMANDO REGOL. ALTEZZA	ROD, HEIGHT ADJUSTMENT	TIGE COMMANDE REGLAGE HAUTEUR	STANGE, HÖHEVERSTELLUNG	484
-	81006483/1	1	ASTA COMANDO REGOL. ALTEZZA	ROD, HEIGHT ADJUSTMENT	TIGE COMMANDE REGLAGE HAUTEUR	STANGE, HÖHEVERSTELLUNG	534
356	12731350/0	4	VITE	SCREW	VIS	SCHRAUBE	
357	22545142/0	2	PIASTRINA	PLATE	PLAQUETTE	PLATTE	
358	81001278/0	1	ASSE RUOTE POSTERIORI	AXLE, REAR WHEELS	AXE ROUES ARRIERE	ACHSE, HINTERRAD	
359	22038403/0	1	BRONZINA SX	L BUSH	DOUILLE G	LINKE BUCHSE	
360	22038402/0	1	BRONZINA DX	R BUSH	DOUILLE D	RECHTE BUCHSE	
361	22170800/0	1	DISTANZIALE	SPACER	ENTRETOISE	DISTANZRING	
362	12789000/0	2	VITE	SCREW	VIS	SCHRAUBE	
363	81003283/1	1	LEVA REGOLAZIONE ALTEZZA	LEVER, HEIGHT ADJUSTMENT	LEVIER, REGLAGE HAUTEUR	HEBEL, HÖHEVERSTELLUNG	
364	12154320/0	2	DADO	NUT	ECROU	MUTTER	
365	22122200/0	4	CUSCINETTO	BEARING	COUSSINET	LAGER	
366	81007351/0	2	RUOTA SCOLPITA Ø 170	WHEEL, KNOBBLY Ø 170	ROUE SCULPTEE Ø 170	RAD M. STOLLENPR. Ø 170	
367	12521350/0	2	ROSETTA	WASHER	RONDELLE	SCHEIBE	

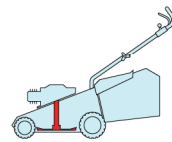
POS.	CODE	Q.TY	DESCRIZIONE	DESCRIPTION	DESCRIPTION	BESCHREIBUNG	REMARKS
368	12155000/0	2	DADO	NUT	ECROU	MUTTER	
369	-	2	COPRIMOZZO	HUB CAP	COUVRE-MOYEU	RADKAPPE	(SEE ENCLOSURE 1)
370	22122200/0	4	CUSCINETTO	BEARING	COUSSINET	LAGER	
371	81007343/0	2	RUOTA SCOLPITA Ø 210	WHEEL, KNOBBLY Ø 210	ROUE SCULPTEE Ø 210	RAD M. STOLLENPR. Ø 210	
372	12521350/0	2	ROSETTA	WASHER	RONDELLE	SCHEIBE	
373	12155000/0	2	DADO	NUT	ECROU	MUTTER	
374	-	2	COPRIMOZZO	HUB CAP	COUVRE-MOYEU	RADKAPPE	(SEE ENCLOSURE 2)
375	12530150/0	4	ROSETTA ELASTICA	ELASTIC WASHER	RONDELLE ELASTIQUE	ELASTISCHE SCHEIBE	

M

ML

484

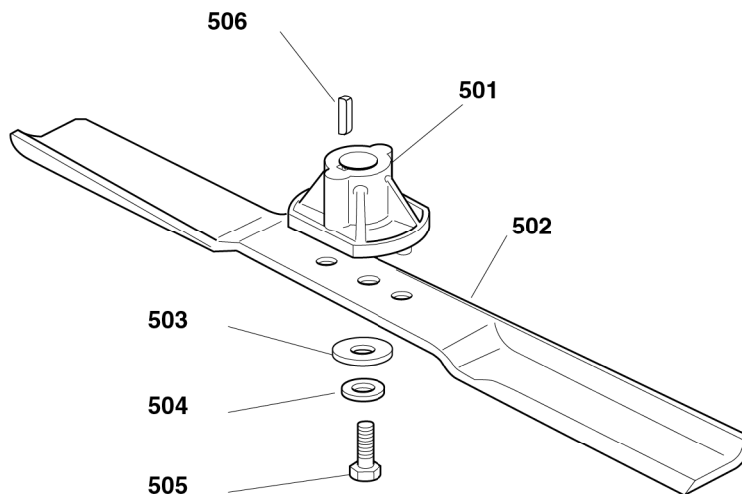
534



2008

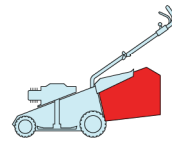
674.0

1 / 1

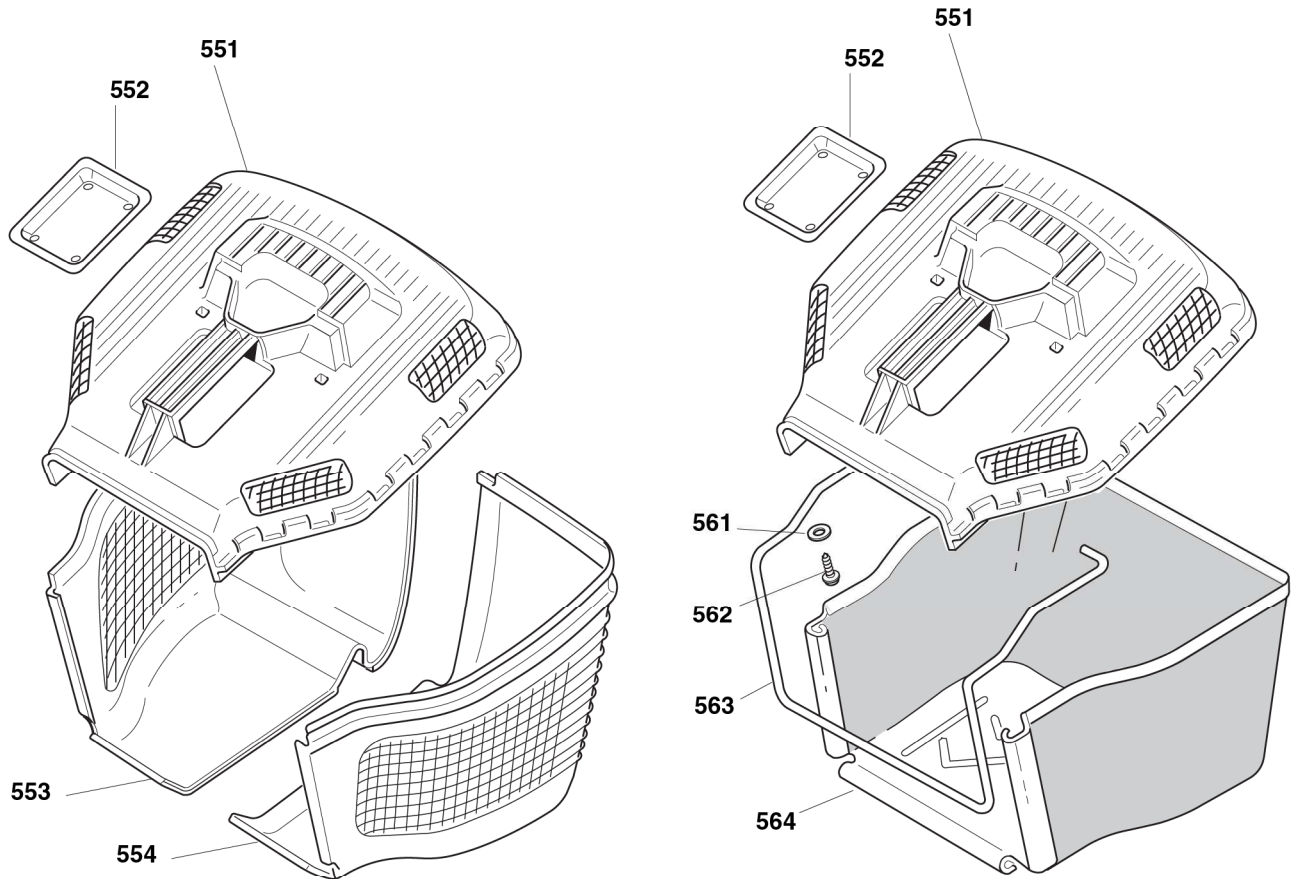


POS.	CODE	Q.TY	DESCRIZIONE	DESCRIPTION	DESCRIPTION	BESCHREIBUNG	REMARKS
501	22463012/2	1	MOZZO, ALBERO MOTORE Ø 22.2	HUB, CRANKSHAFT Ø 22.2	MOYEU, ARBRE MOTEUR Ø 22.2	HALTER, MOTORWELLE Ø 22.2	
-	122463020/1	1	MOZZO, ALBERO MOTORE Ø 25	HUB, CRANKSHAFT Ø 25	MOYEU, ARBRE MOTEUR Ø 25	HALTER, MOTORWELLE Ø 25	
502	81004346/3	1	COLTELLO STANDARD	BLADE STANDARD	LAME STANDARD	MESSER STANDARD	484
-	81004397/0	1	COLTELLO ALETTATO	BLADE WINGED	LAME AILETTÉE	MESSER FLÜGEL	484
-	81004381/1	1	COLTELLO STANDARD	BLADE STANDARD	LAME STANDARD	MESSER STANDARD	534
-	81004398/0	1	COLTELLO ALETTATO	BLADE WINGED	LAME AILETTÉE	MESSER FLÜGEL	534
503	22160400/0	1	DISCO ELASTICO	ELASTIC WASHER	RONDELLE ELASTIQUE	ELASTISCHESCHEIBE	
504	12523080/0	1	ROSETTA	WASHER	RONDELLE	SCHEIBE	
505	12735698/0	1	VITE	SCREW	VIS	SCHRAUBE	
506	12139100/0	1	LINGUETTA, ALBERO MOTORE Ø 22.2	FEATHER, CRANKSHAFT Ø 22.2	CLAVETTE, ARBRE MOTEUR Ø 22.2	KEIL, MOTORWELLE Ø 22.2	
-	12139150/0	1	LINGUETTA, ALBERO MOTORE Ø 25	FEATHER, CRANKSHAFT Ø 25	CLAVETTE, ARBRE MOTEUR Ø 25	KEIL, MOTORWELLE Ø 25	

M	ML
484	534



2008
675.0
1 / 1



POS.	CODE	Q.TY	DESCRIZIONE	DESCRIPTION	DESCRIPTION	BESCHREIBUNG	REMARKS
551	22486095/0	1	SACCO, PARTE SUP	GRASS-BOX, UPPER PART	SAC, PARTIE SUPERIEURE	KORB, OBERTEIL	
552	22486098/0	1	PIASTRINA	PLATE	PLAQUETTE	PLATTE	
553	22486099/0	1	SACCO PARTE INF. DESTRA	GRASS-BOX, LOWER PART	SAC, PARTIE INFERIEURE	KORB, UNTERTEIL	
554	22486100/0	1	SACCO PARTE INF. SINISTRA	GRASS-BOX, LOWER PART	SAC, PARTIE INFERIEURE	KORB, UNTERTEIL	
561	12521460/0	2	ROSETTA	WASHER	RONDELLE	SCHEIBE	
562	12728300/0	2	VITE	SCREW	VIS	SCHRAUBE	
563	22608528/0	1	RINFORZO INF	STIFFENING LOWER	RÉNFORCEMENT INF	VERSTÄRKUNG	
564	81002235/0	1	SACCO, TELA	BOX, FABRIC	SAC, TOILE	SACK, TUCK	