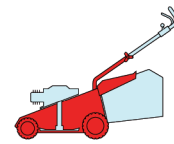
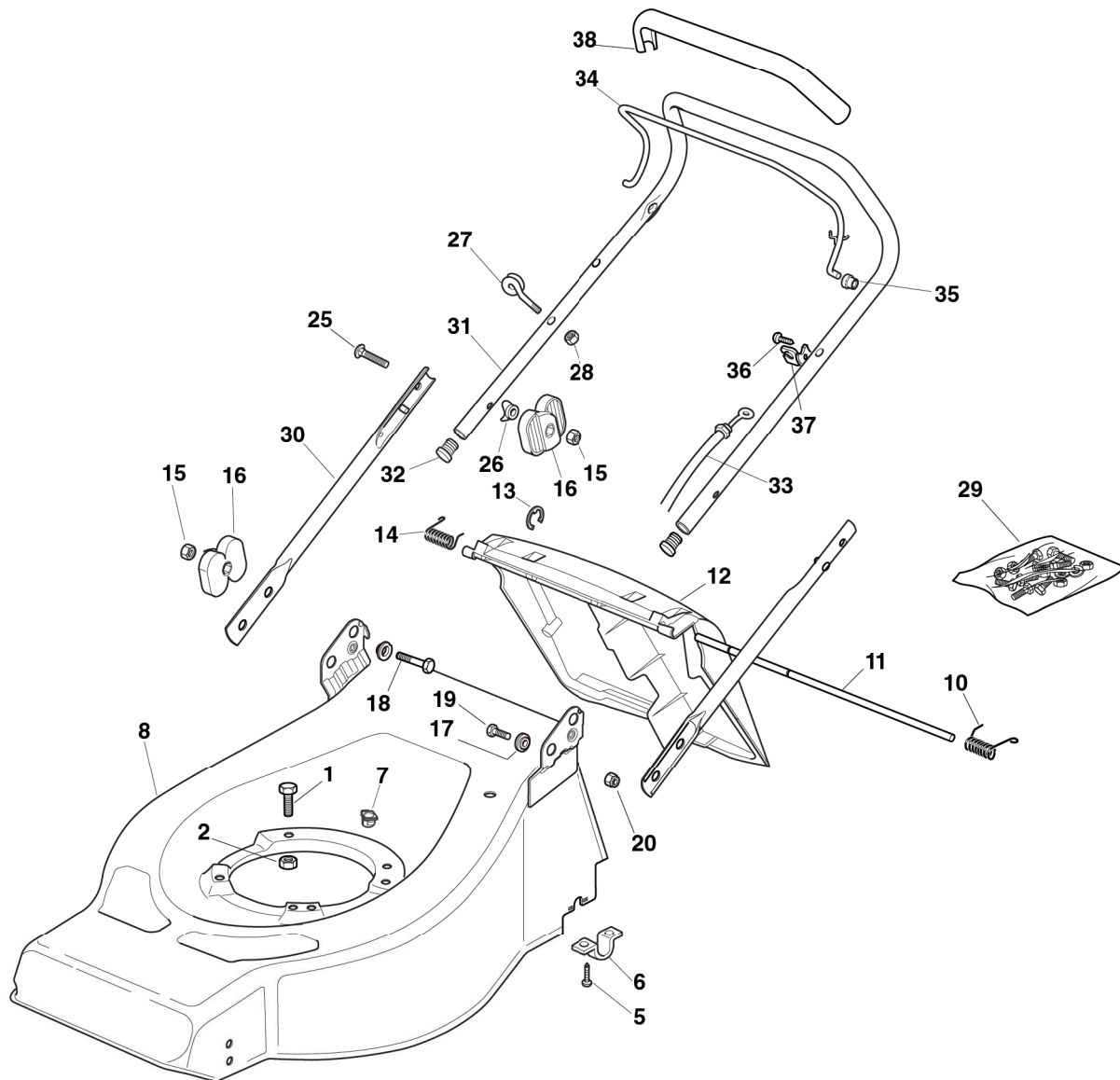


R 484 ROLLER



2008
551.0
1 / 2



POS.	CODE	Q.TY	DESCRIZIONE	DESCRIPTION	DESCRIPTION	BESCHREIBUNG	REMARKS
1	12691800/0	0/1	VITE	SCREW	VIS	SCHRAUBE	
-	12793701/0	3/2	VITE	SCREW	VIS	SCHRAUBE	
2	12155000/0	0/1	DADO	NUT	ECROU	MUTTER	
-	12293201/0	3/2	DADO	NUT	ECROU	MUTTER	
5	12731350/0	4	VITE	SCREW	VIS	SCHRAUBE	
6	22545154/0	2	PIASTRINA	PLATE	PLAQUETTE	PLATTE	
7	22291150/0	1	INSERTO IN GOMMA	RUBBER INSERT	INSERT DE	GUMMI EINSATZ	
8	81002584/0	1	CHASSIS GRIGIO	DECK GREY	CHÂSSIS GRIS	GEHÄUSE GRAU	
10	22450420/1	1	MOLLA SX	L SPRING	RESSORT G	LINKE FEDER	
11	22517906/1	1	PERNO	PIN	PIVOT	BOLZEN	
12	22600063/1	1	PARASASSI	STONE-GUARD	PARE-PIERRES	PRALLBLECH	
13	12000930/0	1	ANELLO ELASTICO	SNAP RING	ANNEAU RESSORT	SPRENGRING	
14	22450410/1	1	MOLLA DX	R SPRING	RESSORT D	RECHTE FEDER	
15	12293202/0	4	DADO	NUT	ECROU	MUTTER	

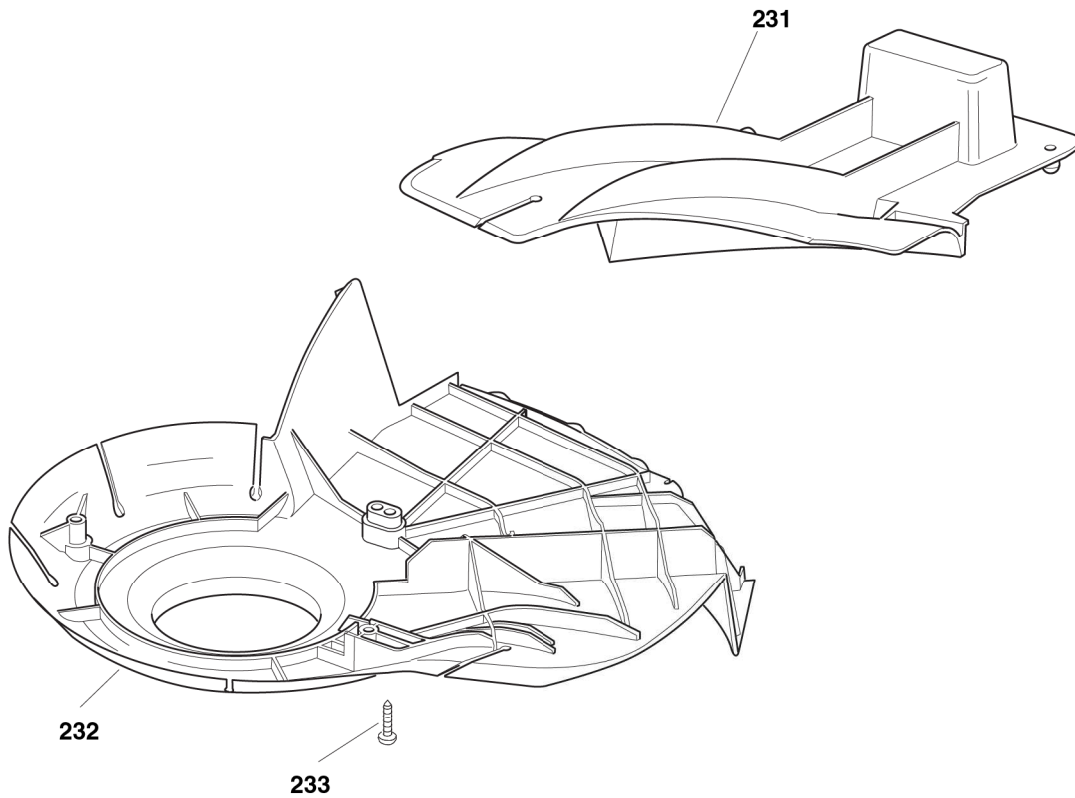
POS.	CODE	Q.TY	DESCRIZIONE	DESCRIPTION	DESCRIPTION	BESCHREIBUNG	REMARKS
16	22399803/0	4	MANOPOLINA	KNOB	POIGNÉE	GRIFF	
17	22041955/0	4	BUSSOLA	BUSH	DOUILLE	BUCHSE	
18	12793700/0	2	VITE	SCREW	VIS	SCHRAUBE	
19	12792610/0	2	VITE	SCREW	VIS	SCHRAUBE	
20	12155000/0	2	DADO	NUT	ECROU	MUTTER	
25	12819125/0	2	VITE	SCREW	VIS	SCHRAUBE	
26	22680006/1	2	ROSETTA	WASHER	RONDELLE	SCHEIBE	
27	22430309/0	1	MOLLA GUIDA	GUIDE SPRING	RESSORT DE GUIDE	FEDER FÜHRER	
28	12154330/0	1	DADO	NUT	ECROU	MUTTER	
29	81008640/0	1	DOTAZIONE VITERIA	OUTFIT, SCREWS	DOTATION VISSERIE	SATZ, SCHRAUBEN	
30	81006973/0	2	MANICO, PARTE INF	HANDLE, LOWER PART	MANCHERON, PARTIE INFERIEURE	HOLM, UNTERTEIL	
31	81006977/1	1	MANICO, PARTE SUP	HANDLE, UPPER PART	MANCHERON, PARTIE SUPERIEURE	HOLM, OBERTEIL	
32	18566112/0	2	PUNTALE	CAP	BOUCHON	GUMMISTOPFEN	
33	81000611/0	1	CAVO FRENO MOTORE	CABLE, THREAD ENGINE BRAKE	CABLE FREIN MOTEUR	KABEL, MOTORBREMSE	(GGP 150cc)
-	81000625/0	1	CAVO FRENO MOTORE	CABLE, THREAD ENGINE BRAKE	CABLE FREIN MOTEUR	KABEL, MOTORBREMSE	(B&S 450-500 series)
-	81000631/0	1	CAVO FRENO MOTORE	CABLE, THREAD ENGINE BRAKE	CABLE FREIN MOTEUR	KABEL, MOTORBREMSE	(B&S 675 series ES)
-	81000757/0	1	CAVO FRENO MOTORE	CABLE, THREAD ENGINE BRAKE	CABLE FREIN MOTEUR	KABEL, MOTORBREMSE	(B&S 675 series)
-	81000757/0	1	CAVO FRENO MOTORE	CABLE, THREAD ENGINE BRAKE	CABLE FREIN MOTEUR	KABEL, MOTORBREMSE	(GGP 160cc)
-	81000642/1	1	CAVO FRENO MOTORE	CABLE, THREAD ENGINE BRAKE	CABLE FREIN MOTEUR	KABEL, MOTORBREMSE	(GGP 200cc)
-	81000753/0	1	CAVO FRENO MOTORE	CABLE, THREAD ENGINE BRAKE	CABLE FREIN MOTEUR	KABEL, MOTORBREMSE	(GGP 200cc ES)
-	81000641/0	1	CAVO FRENO MOTORE	CABLE, THREAD ENGINE BRAKE	CABLE FREIN MOTEUR	KABEL, MOTORBREMSE	(HONDA GCV 135/160/190)
34	81003291/3	1	LEVA FRENO MOTORE	LEVER, ENGINE BRAKE	LEVIER FREIN MOTEUR	HEBEL, MOTORBREMSE	
35	22041966/0	2	BUSSOLA	BUSH	DOUILLE	BUCHSE	
36	12728518/0	1	VITE	SCREW	VIS	SCHRAUBE	
37	22806612/0	1	SUPPORTO	SUPPORT	SUPPORT	HALTER	
38	22291050/0	1	IMPUGNATURA MANICO NERA	HANDGRIP BLACK	POIGNÉE NOIRE	HANDGRIFF SCHWARZ	

R 484 ROLLER

2008

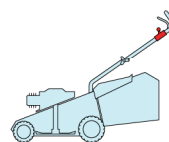
551a.0

1 / 1



POS.	CODE	Q.TY	DESCRIZIONE	DESCRIPTION	DESCRIPTION	BESCHREIBUNG	REMARKS
231	22140223/0	1	DEFLETTORE	DEFLECTOR	DEFLECTEUR	DEFLEKTOR	
232	22060199/0	1	CARTER	PROTECTION	PROTECTION	SCHUTZ	
233	12728530/0	3	VITE	SCREW	VIS	SCHRAUBE	

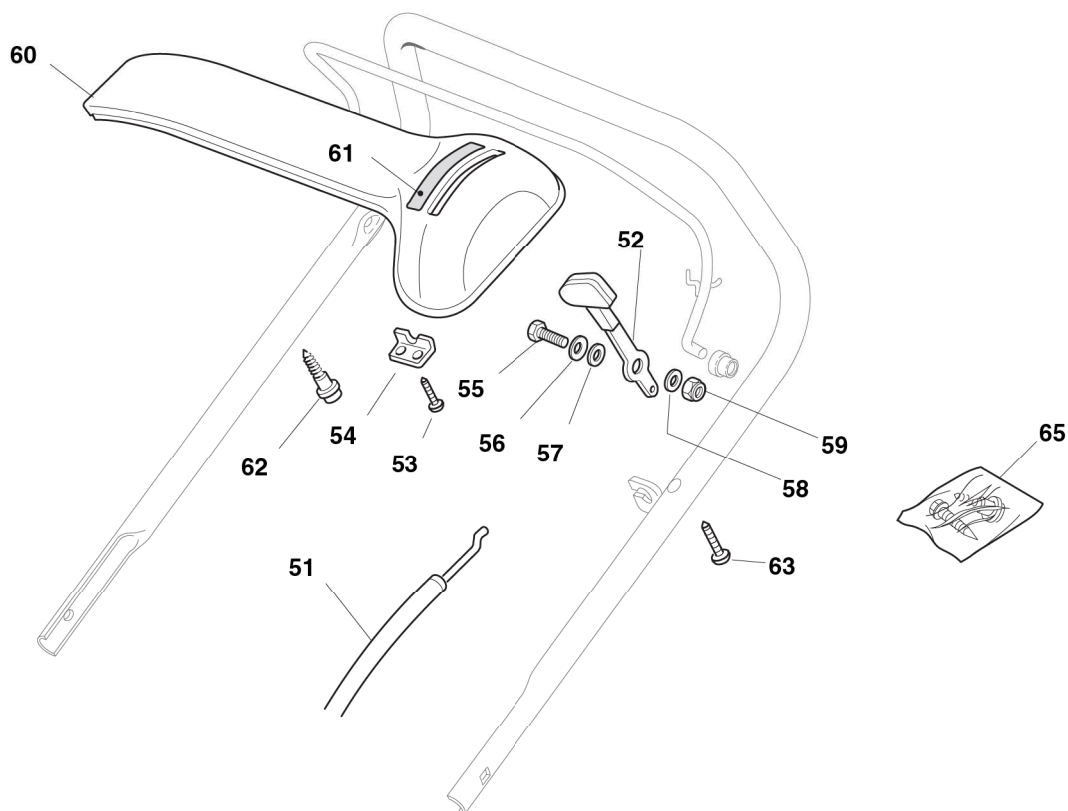
R 484 ROLLER



2008

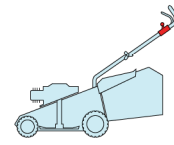
552.0

1 / 1

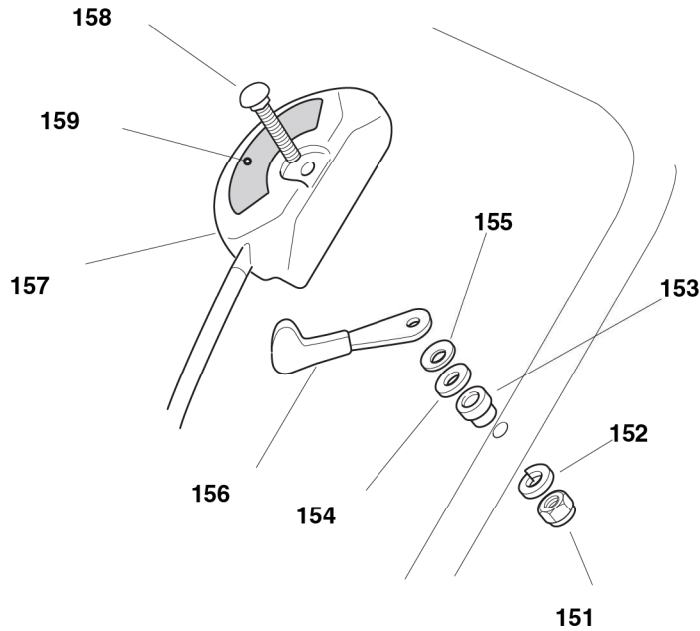


POS.	CODE	Q.TY	DESCRIZIONE	DESCRIPTION	DESCRIPTION	BESCHREIBUNG	REMARKS
51	81007160/0	1	CAVO ACCELERATORE	THROTTLE CABLE	CABLE, ACCELERATEUR	GASHEBEL KABEL	
52	81007280/2	1	LEVA, ACCELERATORE	LEVER, THROTTLE	LEVIER,	HEBEL, BESHLEUNIGER	(B&S 625/650/675 series - HONDA - GGP 160/200 cc)
-	81007221/0	1	LEVA, ACCELERATORE	LEVER, THROTTLE	LEVIER,	HEBEL, BESHLEUNIGER	(B&S 450/500 series - GGP 150 cc)
53	12735105/0	2	VITE	SCREW	VIS	SCHRAUBE	
54	22981467/0	1	PIASTRINA	PLATE	PLAQUETTE	PLATTE	
55	12791500/0	1	VITE	SCREW	VIS	SCHRAUBE	
56	12530060/0	1	ROSETTA ELASTICA	ELASTIC WASHER	RONDELLE ELASTIQUE	ELASTISCHE SCHEIBE	
57	12523040/0	1	ROSETTA	WASHER	RONDELLE	SCHEIBE	
58	12523040/0	1	ROSETTA	WASHER	RONDELLE	SCHEIBE	
59	12154510/0	1	DADO	NUT	ECROU	MUTTER	
60	22120152/0	1	CRUSCOTTO GIALLO	DASH BOARD YELLOW	CONSOLE JAUNE	KONSOLE GELBE	
-	22120154/0	1	CRUSCOTTO ROSSO	DASH BOARD RED	CONSOLE ROUGE	KONSOLE ROTE	
-	22120158/0	1	CRUSCOTTO NERO	DASH BOARD BLACK	CONSOLE NOIRE	KONSOLE SCHWARZE	
61	114356744/1	1	ETICHETTA	LABEL	ETIQUETTE	ETIKETTE	(B&S)
-	114356743/1	1	ETICHETTA	LABEL	ETIQUETTE	ETIKETTE	(HONDA - GGP EN-GINE)
62	22943006/0	1	VITE	SCREW	VIS	SCHRAUBE	
63	12728460/0	1	VITE	SCREW	VIS	SCHRAUBE	
65	81008609/0	1	DOTAZIONE VITERIA CRUSCOTTO	OUTFIT, DASH-BOARD SCREWS	DOTATION VISSERIE CONSOLLE	SATZ, KONSOLLE SCHRAUBEN	

R 484 ROLLER

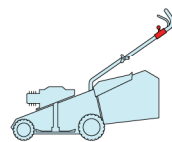


2008
552a.0
1 / 1

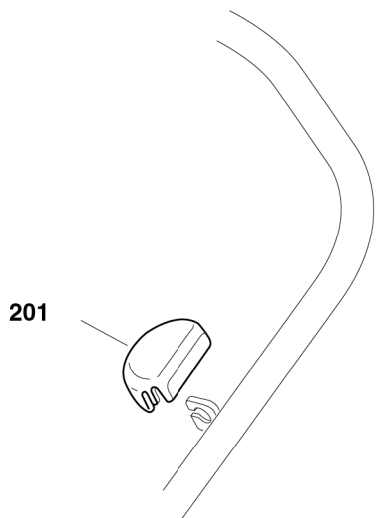


POS.	CODE	Q.TY	DESCRIZIONE	DESCRIPTION	DESCRIPTION	BESCHREIBUNG	REMARKS
151	12291000/0	1	DADO	NUT	ECROU	MUTTER	.
152	12581500/0	1	GROWER	GROWER	GROWER	FEDERRING	.
153	22171005/0	1	DISTANZIALE	SPACER	ENTRETOISE	DISTANZRING	.
154	12521360/0	1	ROSETTA	WASHER	RONDELLE	SCHEIBE	.
155	12508100/0	1	ROSETTA ELASTICA	SPRING WASHER	RONDELLE ELASTIQUE	ELASTISCHE SCHEIBE	.
156	81007279/1	1	LEVA, ACCELERATORE	LEVER, THROTTLE	LEVIER, ACCELERATEUR	HEBEL, BESHLEUNIGER	(B&S 625/650/675 series - HONDA - GGP 160/200 cc)
-	81007220/0	1	LEVA, ACCELERATORE	LEVER, THROTTLE	LEVIER, ACCELERATEUR	HEBEL, BESHLEUNIGER	(B&S 450/500 series - GGP 150 cc)
157	81007080/0	1	CAVO ACCELERATORE	THROTTLE CABLE	CABLE, ACCELERATEUR	GASHEBEL KABEL	.
158	12815000/0	1	VITE	SCREW	VIS	SCHRAUBE	.
159	14356703/0	1	ETICHETTA	LABEL	ETIQUETTE	ETIKETTE	(B&S)
-	14356702/0	1	ETICHETTA	LABEL	ETIQUETTE	ETIKETTE	(GGP ENGINE - HONDA)

R 484 ROLLER

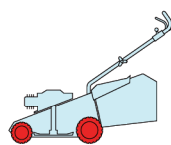


2008
552b.0
1 / 1

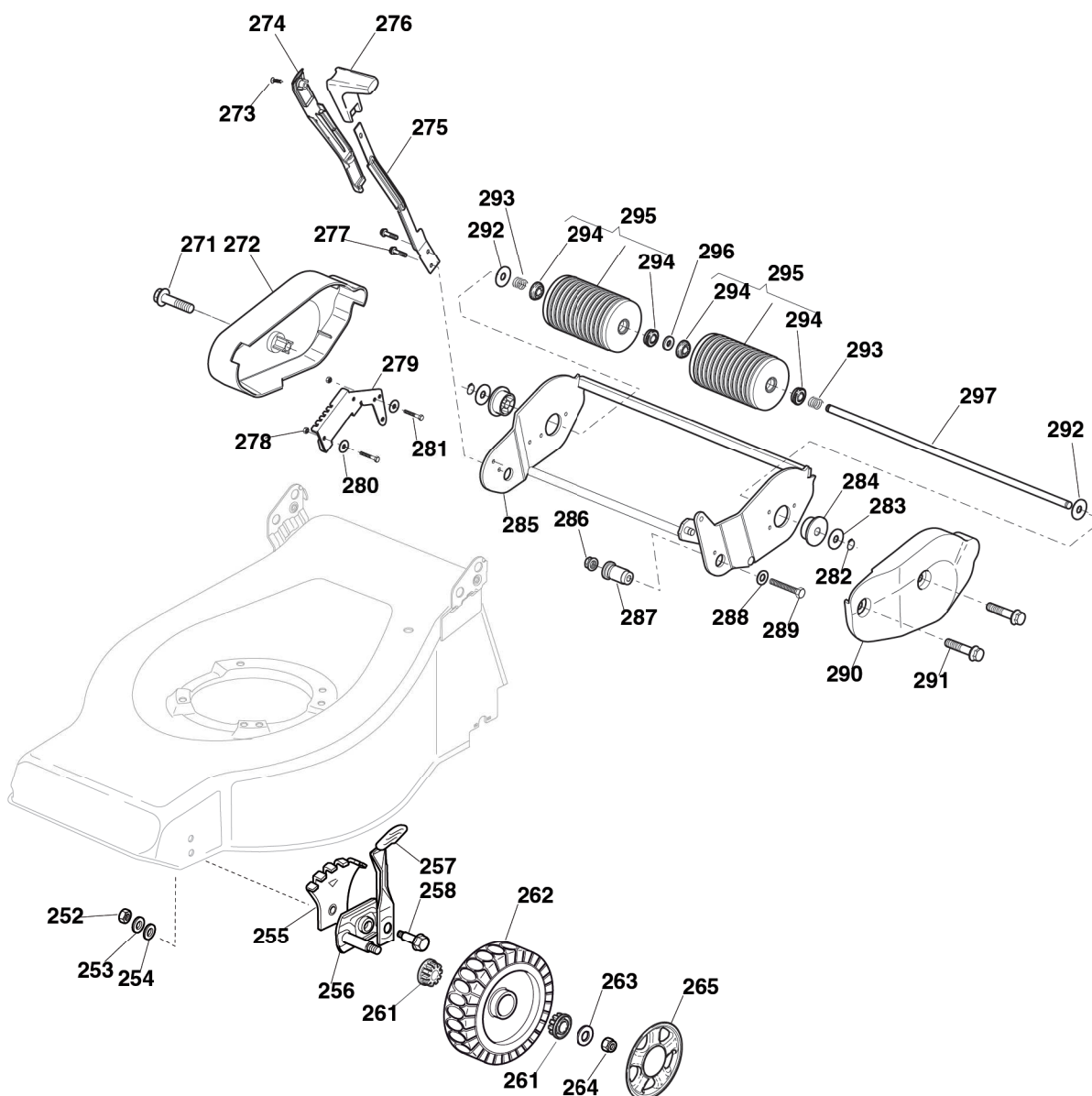


POS.	CODE	Q.TY	DESCRIZIONE	DESCRIPTION	DESCRIPTION	BESCHREIBUNG	REMARKS
201	22601000/0	1	PROTEZIONE	PROTECTION	PROTECTION	SCHUTZ	

R 484 ROLLER



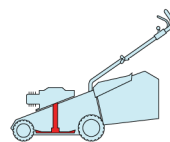
2008
553.0
1 / 2



POS.	CODE	Q.TY	DESCRIZIONE	DESCRIPTION	DESCRIPTION	BESCHREIBUNG	REMARKS
252	12293200/0	2	DADO	NUT	ECROU	MUTTER	
253	12583500/0	2	GROWER	GROWER	GROWER	FEDERRING	
254	12523070/0	2	ROSETTA	WASHER	RONDELLE	SCHEIBE	
255	22735547/0	2	SETTORE REGOLAZIONE ALTEZZA	SECTOR, HEIGHT ADJUSTMENT	SECTEUR REGLAGE HAUTEUR	SEKTOR, HÖHEVERSTELLUNG	
256	81005082/0	2	SUPPORTO RUOTA	SUPPORT, WHEEL	SUPPORT ROUE	HALTER, RAD	
257	81003285/1	2	LEVA REGOLAZIONE ALTEZZA	LEVER, HEIGHT ADJUSTMENT	LEVIER, REGLAGE HAUTEUR	HEBEL, HÖHEVERSTELLUNG	
258	22519811/0	2	PERNO	PIN	PIVOT	BOLZEN	
259	81005084/0	2	SUPPORTO RUOTA	SUPPORT, WHEEL	SUPPORT ROUE	HALTER, RAD	
260	81003286/0	2	LEVA REGOLAZIONE ALTEZZA	LEVER, HEIGHT ADJUSTMENT	LEVIER, REGLAGE HAUTEUR	HEBEL, HÖHEVERSTELLUNG	
261	22034508/0	4	BUSSOLA	BUSH	DOUILLE	BUCHSE	
262	81007336/0	2	RUOTA SCOLPITA Ø 170	WHEEL, KNOBBLY Ø 170	ROUE SCULPTEE Ø 170	RAD M. STOLLENPR. Ø 170	
263	12523060/0	2	ROSETTA	WASHER	RONDELLE	SCHEIBE	
264	12155000/0	2	DADO	NUT	ECROU	MUTTER	

POS.	CODE	Q.TY	DESCRIZIONE	DESCRIPTION	DESCRIPTION	BESCHREIBUNG	REMARKS
265	-	2	COPRIMOZZO	HUB CAP	COUVRE-MOYEU	RADKAPPE	(SEE ENCLOSURE 1)
271	12735594/0	1	VITE	SCREW	VIS	SCHRAUBE	
272	22060210/0	1	PROTEZIONE DX	R PROTECTION	PROTECTION D	RECHTE SCHUTZ	
273	12728680/0	1	VITE	SCREW	VIS	SCHRAUBE	
274	22109722/0	1	COPERTURA	COVER	COUVRE	KAPPE	
275	22321505/0	1	LEVA REGOLAZIONE ALTEZZA	LEVER, HEIGHT ADJUSTMENT	LEVIER, REGLAGE HAUTEUR	HEBEL, HÖHEVERSTEL-LUNG	
276	22399805/0	1	MANOPOLINA	KNOB	POIGNÉE	GRIFF	
277	12735121/0	2	VITE	SCREW	VIS	SCHRAUBE	
278	12154330/0	2	DADO	NUT	ECROU	MUTTER	
279	22735551/0	1	SETTORE REGOLAZIONE ALTEZZA	SECTOR, HEIGHT ADJUSTMENT	SECTEUR REGLAGE HAUTEUR	SEKTOR, HÖHEVERSTEL-LUNG	
280	12521331/0	2	ROSETTA	WASHER	RONDELLE	SCHEIBE	
281	12789000/0	2	VITE	SCREW	VIS	SCHRAUBE	
282	12000957/0	2	ANELLO BENZING	BENZING	ANNEAU BENZING	BENZING	
283	22672151/0	2	ROSETTA	WASHER	RONDELLE	SCHEIBE	(GGP 150cc)
284	22034512/0	2	BUSSOLA	BUSH	DOUILLE	BUCHSE	(B&S 450-500 series)
285	81005109/1	1	SUPPORTO ROLLER	ROLLER SUPPORT	SUPPORT ROLLER	ROLLRHLTER	(B&S 675 series ES)
286	12293201/0	2	DADO	NUT	ECROU	MUTTER	(B&S 675 series)
287	22785132/0	2	SUPPORTO	SUPPORT	SUPPORT	HALTER	(GGP 160cc)
288	12523060/0	2	ROSETTA	WASHER	RONDELLE	SCHEIBE	(GGP 200cc)
289	12691700/0	2	VITE	SCREW	VIS	SCHRAUBE	(GGP 200cc ES)
290	22060211/0	1	PROTEZIONE SX	L PROTECTION	PROTECTION G	LINKE SCHUTZ	(HONDA GCV 135/160/190)
291	12735592/0	2	VITE	SCREW	VIS	SCHRAUBE	
293	22430210/0	2	MOLLA	SPRING	RESSORT	FEDER	
294	22122200/0	4	CUSCINETTO	BEARING	COUSSINET	LAGER	
295	81007400/0	2	RULLO COMPLETO	ASS.Y ROLLER	ROLLER, ANS	ROLLER	
296	12521370/0	1	ROSETTA	WASHER	RONDELLE	SCHEIBE	
297	22033360/0	1	ASSE ROLLER	AXLE, ROLLER	AXE ROLLER	ACHSE, ROLLER	
298	22672151/0	2	ROSETTA	WASHER	RONDELLE	SCHEIBE	

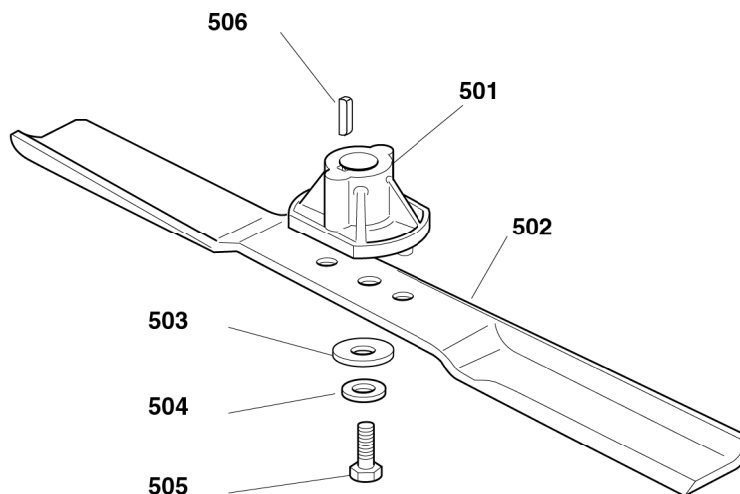
R 484 ROLLER



2008

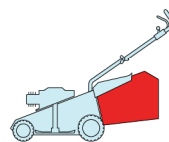
554.0

1 / 1



POS.	CODE	Q.TY	DESCRIZIONE	DESCRIPTION	DESCRIPTION	BESCHREIBUNG	REMARKS
501	22463012/2	1	MOZZO, ALBERO MOTORE Ø 22.2	HUB, CRANKSHAFT Ø 22.2	MOYEU, ARBRE MOTEUR Ø 22.2	HALTER, MOTORWELLE Ø 22.2	
-	122463020/1	1	MOZZO, ALBERO MOTORE Ø 25	HUB, CRANKSHAFT Ø 25	MOYEU, ARBRE MOTEUR Ø 25	HALTER, MOTORWELLE Ø 25	
502	81004346/3	1	COLTELLO STANDARD	BLADE STANDARD	LAME STANDARD	MESSER STANDARD	
503	22160400/0	1	DISCO ELASTICO	ELASTIC WASHER	RONDELLE ELASTIQUE	ELASTISCHESCHEIBE	
504	12523080/0	1	ROSETTA	WASHER	RONDELLE	SCHEIBE	
505	12735698/0	1	VITE	SCREW	VIS	SCHRAUBE	
506	12139100/0	1	LINGUETTA, ALBERO MOTORE Ø 22.2	FEATHER, CRANKSHAFT Ø 22.2	CLAVETTE, ARBRE MOTEUR Ø 22.2	KEIL, MOTORWELLE Ø 22.2	
-	12139150/0	1	LINGUETTA, ALBERO MOTORE Ø 25	FEATHER, CRANKSHAFT Ø 25	CLAVETTE, ARBRE MOTEUR Ø 25	KEIL, MOTORWELLE Ø 25	

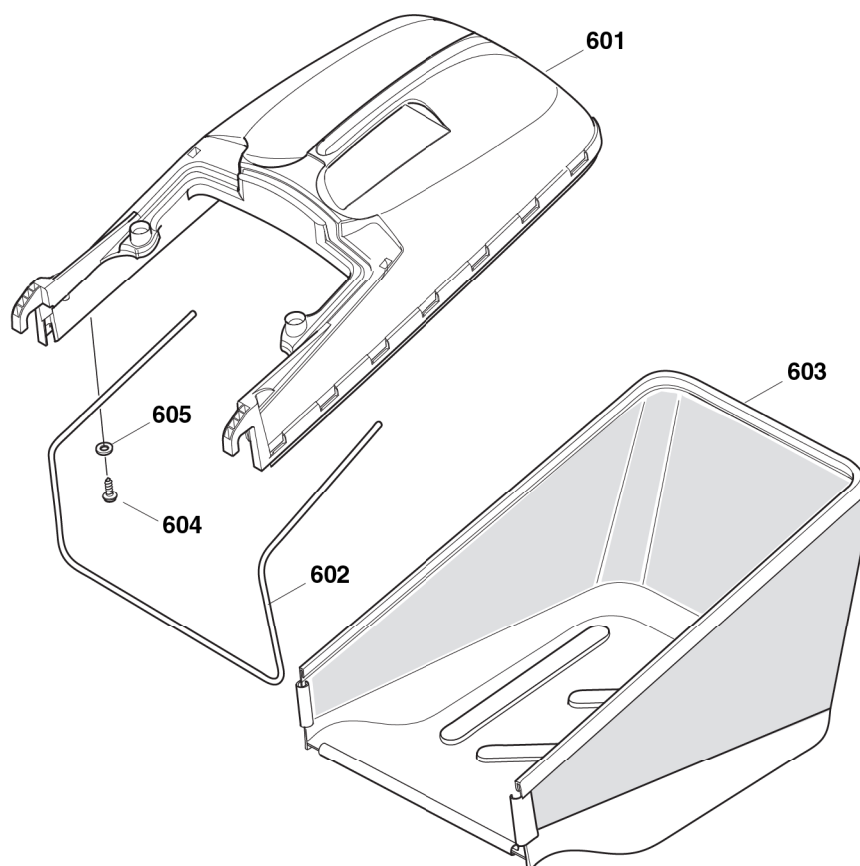
R 484 ROLLER



2008

555.0

1 / 1



POS.	CODE	Q.TY	DESCRIZIONE	DESCRIPTION	DESCRIPTION	BESCHREIBUNG	REMARKS
601	22486104/1	1	SACCO, PARTE SUP	GRASS-BOX, UPPER	SAC, PARTIE	KORB, OBERTEIL	430
602	22608527/0	1	RINFORZO INF	STIFFENING LOWER	RÉNFORCEMENT INF	VERSTÄRKUNG	480
603	81002227/0	1	SACCO, TELA	BOX, FABRIC	SAC, TOILE	SACK, TUCK	430
604	12728680/0	2	VITE	SCREW	VIS	SCHRAUBE	480
605	12523050/0	2	ROSETTA	WASHER	RONDELLE	SCHEIBE	