

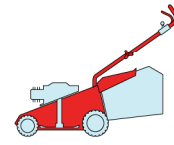
TU

504

554

TR ROLLER 4S

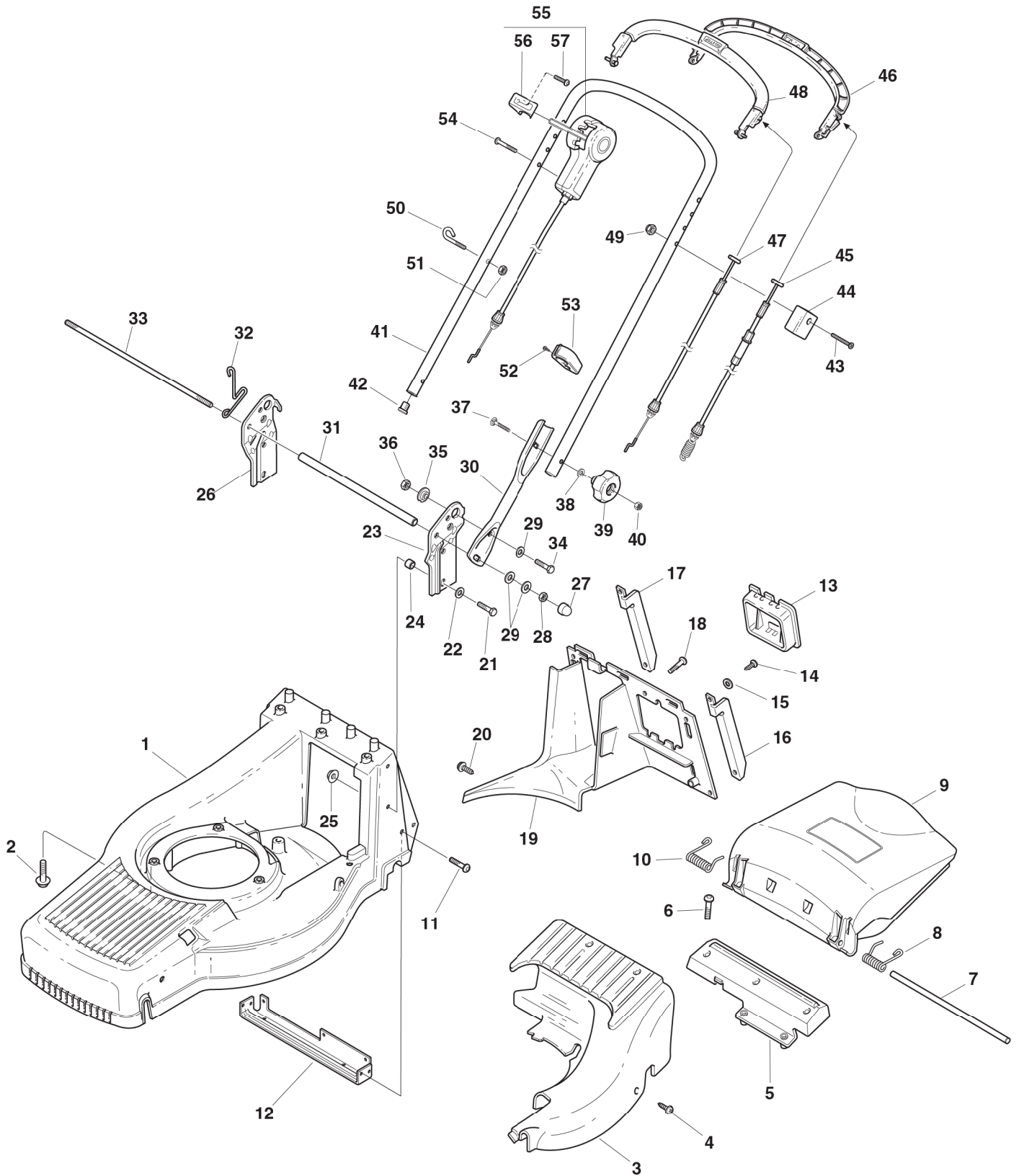
TR/E ROLLER 4S



2008

871.0

1 / 3



POS.	CODE	Q.TY	DESCRIZIONE	DESCRIPTION	DESCRIPTION	BESCHREIBUNG	REMARKS
1	81002659/0	1	CHASSIS ROSSO	DECK RED	CHÂSSIS ROUGE	GEHÄUSE ROT	504
-	81002662/0	1	CHASSIS ROSSO	DECK RED	CHÂSSIS ROUGE	GEHÄUSE ROT	554
2	112735108/1	3	VITE	SCREW	VIS	SCHRAUBE	
3	22060153/1	1	CARTER, ROSSO	PROTECTION, RED	PROTECTION, ROUGE	SCHUTZ, ROT	504
-	22060155/1	1	CARTER, ROSSO	PROTECTION, RED	PROTECTION, ROUGE	SCHUTZ, ROT	554
4	12728300/0	3	VITE	SCREW	VIS	SCHRAUBE	
5	22785164/0	1	FULCRO PARASASSI	STONE GUARD FULCRUM	POINT D'APPUI PARE-PIERRES	DREHPUNKT PRALLBLECH	
6	12735664/0	3	VITE	SCREW	VIS	SCHRAUBE	
7	22517906/1	1	PERNO	PIN	PIVOT	BOLZEN	
8	22450420/1	1	MOLLA SX	L SPRING	RESSORT G	LINKE FEDER	
9	22600063/1	1	PARASASSI	STONE-GUARD	PARE-PIERRES	PRALLBLECH	
10	22450410/1	1	MOLLA DX	R SPRING	RESSORT D	RECHTE FEDER	
11	12735592/0	4	VITE	SCREW	VIS	SCHRAUBE	
12	22608521/0	1	RINFORZO POSTERIORE	REAR STIFFENING	RÉNFORCEMENT ARRIERE	HINTERVERSTÄRKUNG	
13	22109531/0	1	COPERCHIO	COVER	COUVERCLE	DECKEL	
14	12728124/0	5	VITE	SCREW	VIS	SCHRAUBE	
15	12523040/0	3	ROSETTA	WASHER	RONDELLE	SCHEIBE	
16	22775183/0	1	STAFFA SX	BRACKET, L	BRIDE G	PRATZE, LINKE	
17	22775185/0	1	STAFFA DX	BRACKET, R	BRIDE D	PRATZE, RECHTE	
18	12735664/0	1	VITE	SCREW	VIS	SCHRAUBE	
19	22108278/0	1	CONVOGL. POSTERIORE	REAR CONVEYOR ASSY	ENS. CONVOYEUR POST.	HINTERLEITBLECHSATZ	
20	12728300/0	1	VITE	SCREW	VIS	SCHRAUBE	
21	12793102/0	4	VITE	SCREW	VIS	SCHRAUBE	
22	12521350/0	4	ROSETTA	WASHER	RONDELLE	SCHEIBE	
23	22778411/0	1	STAFFA SX	BRACKET, L	BRIDE G	PRATZE, LINKE	
24	22041959/0	2	BUSSOLA	BUSH	DOUILLE	BUCHSE	
25	12293201/0	4	DADO	NUT	ECROU	MUTTER	
26	22778413/0	1	STAFFA DX	BRACKET, R	BRIDE D	PRATZE, RECHTE	
27	18203854/0	2	CAPPUCCIO	PROTECTION	CAPUCHON	STECKER	
28	12293200/0	2	DADO	NUT	ECROU	MUTTER	
29	12523060/0	6	ROSETTA	WASHER	RONDELLE	SCHEIBE	
30	81006614/0	2	MANICO, PARTE INF	HANDLE, LOWER PART	MANCHERON, PARTIE INFÉRIEURE	HOLM, UNTERTEIL	
31	22869711/0	1	DISTANZIALE	SPACER	ENTRETOISE	DISTANZRING	
32	22430312/0	1	MOLLA GUIDA	GUIDE SPRING	RESSORT DE GUIDE	FEDER FÜHRER	
33	22517702/0	1	PERNO FULCRO	FULCRUM PIN	PIVOT	GELENKPUNKT	
34	12793301/0	2	VITE	SCREW	VIS	SCHRAUBE	
35	22041955/0	2	BUSSOLA	BUSH	DOUILLE	BUCHSE	
36	12293200/0	2	DADO	NUT	ECROU	MUTTER	
37	12819110/0	2	VITE	SCREW	VIS	SCHRAUBE	
38	22680006/1	2	ROSETTA	WASHER	RONDELLE	SCHEIBE	
39	322399804/1	2	MANOPOLINA	KNOB	POIGNÉE	GRIFF	
40	12293200/0	2	DADO	NUT	ECROU	MUTTER	
41	81006619/1	1	MANICO, PARTE SUP	HANDLE, UPPER PART	MANCHERON, PARTIE SUPÉRIEURE	HOLM, OBERTEIL	
42	18566110/0	2	PUNTALE	CAP	BOUCHON	GUMMISTOPFEN	
43	12727786/0	1	VITE	SCREW	VIS	SCHRAUBE	
44	22551640/0	1	PIASTRINA	PLATE	PLAQUETTE	PLÄTTCHEN	
45	81000697/0	1	CAVO COMANDO TRAZIONE	CABLE, REAR DRIVE	CÂBLE, COMMANDE TRACTION	KABEL, ANTRIEB	

POS.	CODE	Q.Q.TY	DESCRIZIONE	DESCRIPTION	DESCRIPTION	BESCHREIBUNG	REMARKS
46	81003297/1	1	LEVA TRAZIONE	DRIVING LEVER	LEVIER TRACTION	ANTRIEBHABEL	
47	81000686/0	1	CAVO FRENO MOTORE	CABLE, THREAD ENGINE BRAKE	CABLE FREIN MOTEUR	KABEL, MOTORBREMSE	504 (B&S 450-500 series)
-	81000688/0	1	CAVO FRENO MOTORE	CABLE, THREAD ENGINE BRAKE	CABLE FREIN MOTEUR	KABEL, MOTORBREMSE	504 (B&S 675 series)
-	181000777/0	1	CAVO FRENO MOTORE	CABLE, THREAD ENGINE BRAKE	CABLE FREIN MOTEUR	KABEL, MOTORBREMSE	504 (GGP 150cc)
-	81000688/0	1	CAVO FRENO MOTORE	CABLE, THREAD ENGINE BRAKE	CABLE FREIN MOTEUR	KABEL, MOTORBREMSE	504 (GGP 160cc)
-	81000687/0	1	CAVO FRENO MOTORE	CABLE, THREAD ENGINE BRAKE	CABLE FREIN MOTEUR	KABEL, MOTORBREMSE	504 (GGP 200cc)
-	81000687/0	1	CAVO FRENO MOTORE	CABLE, THREAD ENGINE BRAKE	CABLE FREIN MOTEUR	KABEL, MOTORBREMSE	504 (HONDA GCV 135/160/190)
-	81000686/0	1	CAVO FRENO MOTORE	CABLE, THREAD ENGINE BRAKE	CABLE FREIN MOTEUR	KABEL, MOTORBREMSE	504 TR/E (B&S 675 series ES)
-	81000688/0	1	CAVO FRENO MOTORE	CABLE, THREAD ENGINE BRAKE	CABLE FREIN MOTEUR	KABEL, MOTORBREMSE	554 (B&S 675 series)
-	181000777/0	1	CAVO FRENO MOTORE	CABLE, THREAD ENGINE BRAKE	CABLE FREIN MOTEUR	KABEL, MOTORBREMSE	554 (B&S 700 series)
-	181000777/0	1	CAVO FRENO MOTORE	CABLE, THREAD ENGINE BRAKE	CABLE FREIN MOTEUR	KABEL, MOTORBREMSE	554 (GGP 150cc)
-	81000688/0	1	CAVO FRENO MOTORE	CABLE, THREAD ENGINE BRAKE	CABLE FREIN MOTEUR	KABEL, MOTORBREMSE	554 (GGP 200cc)
-	81000688/0	1	CAVO FRENO MOTORE	CABLE, THREAD ENGINE BRAKE	CABLE FREIN MOTEUR	KABEL, MOTORBREMSE	554 (HONDA GCV 135/160/190)
-	81000688/0	1	CAVO FRENO MOTORE	CABLE, THREAD ENGINE BRAKE	CABLE FREIN MOTEUR	KABEL, MOTORBREMSE	554 AVS (B&S 675 series ES)
-	81000687/0	1	CAVO FRENO MOTORE	CABLE, THREAD ENGINE BRAKE	CABLE FREIN MOTEUR	KABEL, MOTORBREMSE	554 TR/E (B&S 675 series ES)
-	81000687/0	1	CAVO FRENO MOTORE	CABLE, THREAD ENGINE BRAKE	CABLE FREIN MOTEUR	KABEL, MOTORBREMSE	554 TR/E AVS (B&S 675 series ES)
48	81003298/1	1	LEVA FRENO MOTORE	LEVER, ENGINE BRAKE	LEVIER FREIN MOTEUR	HEBEL, MOTORBREMSE	
49	12154510/0	1	DADO	NUT	ECROU	MUTTER	
50	22430313/0	1	MOLLA GUIDA	GUIDE SPRING	RESSORT DE GUIDE	FEDER FÜHRER	
51	12292100/0	1	DADO	NUT	ECROU	MUTTER	
52	12728691/0	3	VITE	SCREW	VIS	SCHRAUBE	
53	22192001/0	3	FASCETTA ANCORAGGIO	ANCHOR CLAMP	COLLIER ANCRAGE	BOWDENZUGHALTER	
54	12728702/0	2	VITE	SCREW	VIS	SCHRAUBE	
55	81007097/0	1	CAVO COMANDO MARCE	CABLE, SPEED DRIVE CONTROL	CABLE, COMM. CHANGE-MENT VITESSE	KABEL, GÄNGESCHALTUN	504
-	81007098/0	1	CAVO COMANDO MARCE	CABLE, SPEED DRIVE CONTROL	CABLE, COMM. CHANGE-MENT VITESSE	KABEL, GÄNGESCHALTUN	554
56	22399809/0	1	MANOPOLINA	KNOB	POIGNÉE	GRIFF	
57	12728300/0	2	VITE	SCREW	VIS	SCHRAUBE	

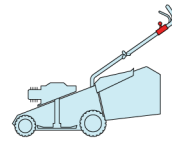
TU

504

554

TR ROLLER 4S

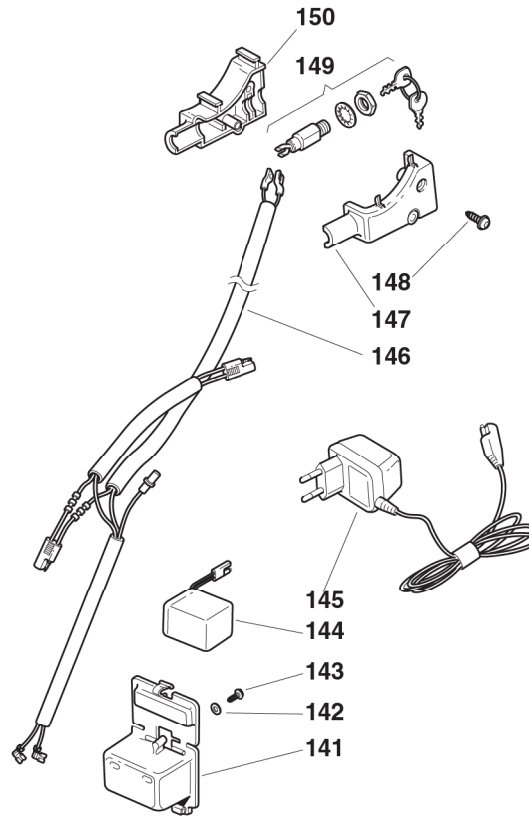
TR/E ROLLER 4S



2008

871a.0

1 / 1



POS.	CODE	Q.TY	DESCRIZIONE	DESCRIPTION	DESCRIPTION	BESCHREIBUNG	REMARKS
141	22109533/0	1	CONTENITORE BATTERIA	BATTERY BOX	CONTENEUR DE BATTERIE	BATTERIE BEHALTER	
142	12523040/0	1	ROSETTA	WASHER	RONDELLE	SCHEIBE	
143	12728691/0	1	VITE	SCREW	VIS	SCHRAUBE	
144	18120052/0	1	BATTERIA	BATTERY	BATTERIE	BATTERIE	
145	18204120/0	1	CARICA BATTERIA	BATTERY CHARGER	CHARGEUR DE BATTERIE	LADGERÄT	
-	18204121/0	1	CARICA BATTERIA	BATTERY CHARGER	CHARGEUR DE	LADGERÄT	(UK)
146	18204195/0	1	CAVO AVVIAMENTO	CABLE, START	CABLE DÉMARRAGE	KABEL, START	
147	22722805/1	1	PROTEZIONE SX	L PROTECTION	PROTECTION G	LINKE SCHUTZ	
148	12728300/0	1	VITE	SCREW	VIS	SCHRAUBE	
149	18450050/0	1	INTERRUPTORE	SWITCH	INTERRUPTEUR	SCHALTER	
150	22722804/1	1	PROTEZIONE DX	R PROTECTION	PROTECTION D	RECHTE SCHUTZ	

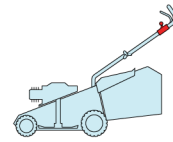
TU

504

554

TR ROLLER 4S

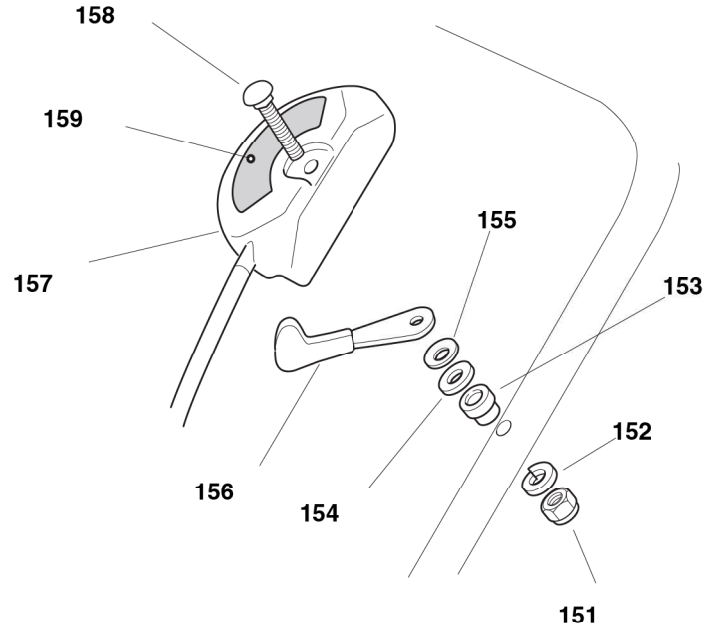
TR/E ROLLER 4S



2008

871b.0

1 / 1



POS.	CODE	Q.TY	DESCRIZIONE	DESCRIPTION	DESCRIPTION	BESCHREIBUNG	REMARKS
151	12291000/0	1	DADO	NUT	ECROU	MUTTER	.
152	12581500/0	1	GROWER	GROWER	GROWER	FEDERRING	.
153	22171005/0	1	DISTANZIALE	SPACER	ENTRETOISE	DISTANZRING	.
154	12521360/0	1	ROSETTA	WASHER	RONDELLE	SCHEIBE	.
155	12508100/0	1	ROSETTA ELASTICA	SPRING WASHER	RONDELLE ELASTIQUE	ELASTISCHE SCHEIBE	.
156	81007279/1	1	LEVA, ACCELERATORE	LEVER, THROTTLE	LEVIER, ACCELERATEUR	HEBEL, BESHLEUNIGER	(B&S 625/650/675 series - HONDA - GGP 160/200 cc)
-	81007220/0	1	LEVA, ACCELERATORE	LEVER, THROTTLE	LEVIER, ACCELERATEUR	HEBEL, BESHLEUNIGER	(B&S 450/500 series - GGP 150 cc)
157	81007080/0	1	CAVO ACCELERATORE	THROTTLE CABLE	CABLE, ACCELERATEUR	GASHEBEL KABEL	.
158	12815000/0	1	VITE	SCREW	VIS	SCHRAUBE	.
159	14356703/0	1	ETICHETTA	LABEL	ETIQUETTE	ETIKETTE	(B&S)
-	14356702/0	1	ETICHETTA	LABEL	ETIQUETTE	ETIKETTE	(GGP ENGINE - HONDA)

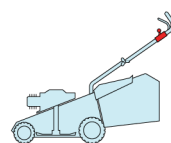
TU

504

554

TR ROLLER 4S

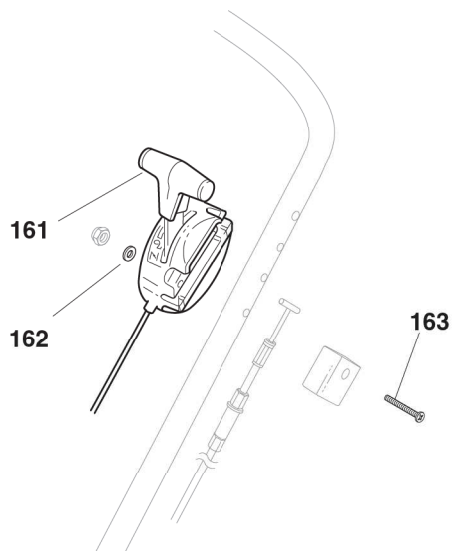
TR/E ROLLER 4S



2008

871c.0

1 / 1



POS.	CODE	Q.TY	DESCRIZIONE	DESCRIPTION	DESCRIPTION	BESCHREIBUNG	REMARKS
161	81007128/0	1	CAVO ACCELERATORE	THROTTLE CABLE	CABLE, ACCELERATEUR	GASHEBEL KABEL	(B&S)
-	81007126/0	1	CAVO ACCELERATORE	THROTTLE CABLE	CABLE, ACCELERATEUR	GASHEBEL KABEL	(HONDA)
162	12523040/0	1	ROSETTA	WASHER	RONDELLE	SCHEIBE	
163	12727787/0	1	VITE	SCREW	VIS	SCHRAUBE	

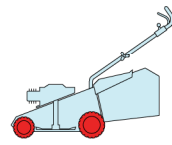
TU

504

554

TR ROLLER 4S

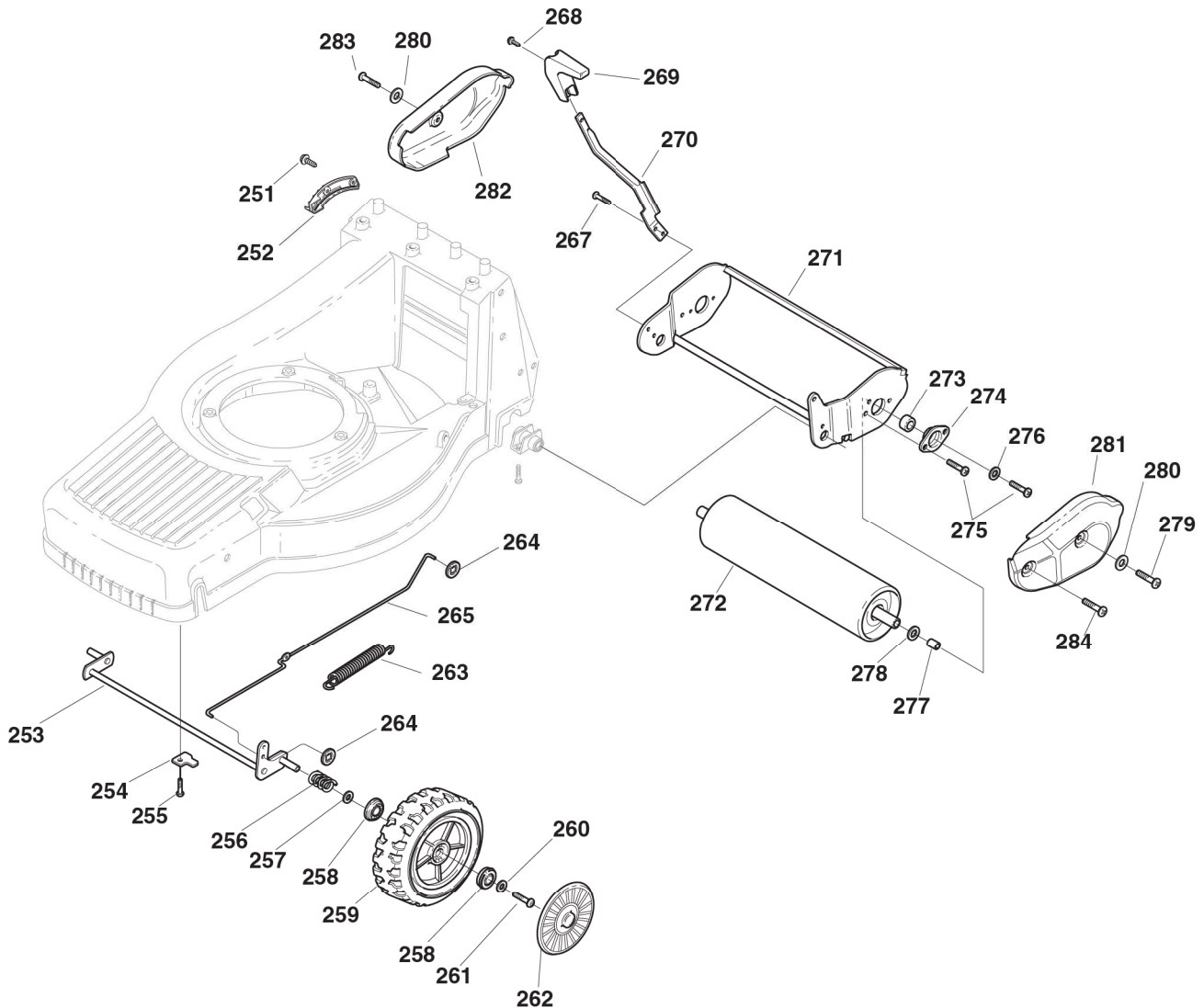
TR/E ROLLER 4S



2008

872.0

1 / 2



POS.	CODE	Q.TY	DESCRIZIONE	DESCRIPTION	DESCRIPTION	BESCHREIBUNG	REMARKS
251	12728300/0	2	VITE	SCREW	VIS	SCHRAUBE	
252	22735553/0	1	SETTORE DI REGOLAZIONE	SECTOR, HEIGHT ADJUSTMENT	SECTEUR REGLAGE	SEKTOR, HÖHEVERSTELLUNG	
253	81002845/0	1	ASSE RUOTE ANTERIORE	AXLE, FRONT WHEELS	AXE ROUES AVANT	ACHSE, VORDERRAD	504
-	81002847/0	1	ASSE RUOTE ANTERIORE	AXLE, FRONT WHEELS	AXE ROUES AVANT	ACHSE, VORDERRAD	554
254	22545160/0	2	PIASTRINA	PLATE	PLAQUETTE	PLÄTTCHEN	
255	12735664/0	2	VITE	SCREW	VIS	SCHRAUBE	
256	22430210/0	2	MOLLA	SPRING	RESSORT	FEDER	
257	12521370/0	2	ROSETTA	WASHER	RONDELLE	SCHEIBE	
258	22122200/0	4	CUSCINETTO	BEARING	COUSSINET	LAGER	
259	81007351/0	2	RUOTA Ø 170	WHEEL, Ø 170	ROUE Ø 170	RAD Ø 170	
260	12521460/0	2	ROSETTA	WASHER	RONDELLE	SCHEIBE	
261	12735662/0	2	VITE	SCREW	VIS	SCHRAUBE	
262	-	2	COPRIMOZZO	HUB CAP	COUVRE-MOYEU	RADKAPPE	(SEE ENCLOSURE 1)

POS.	CODE	Q.TY	DESCRIZIONE	DESCRIPTION	DESCRIPTION	BESCHREIBUNG	REMARKS
263	22446181/0	1	MOLLA	SPRING	RESSORT	FEDER	
264	12604898/0	2	FISSATORE A CORONA	CROWN FASTENER	FIXATEUR A COURONNE	KRONESCHEIBE	
265	22033325/0	1	ASTA COMANDO REGOL. ALTEZZA	ROD, HEIGHT ADJUSTMENT CONTROL	TIGE COMMANDE REGLAGE HAUTEUR	STANGE, HÖHEVERSTEL- LUNG	504
-	22033326/0	1	ASTA COMANDO REGOL. ALTEZZA	ROD, HEIGHT ADJUSTMENT CONTROL	TIGE COMMANDE REGLAGE HAUTEUR	STANGE, HÖHEVERSTEL- LUNG	554
267	12735664/0	2	VITE	SCREW	VIS	SCHRAUBE	
268	12728690/0	1	VITE	SCREW	VIS	SCHRAUBE	
269	22399805/0	1	MANOPOLINA	KNOB	POIGNÉE	GRIFF	
270	22321505/0	1	LEVA REGOLAZIONE ALTEZZA	LEVER, HEIGHT ADJUSTMENT	LEVIER REGLAGE HAUTEUR	HEBEL, HÖNEVERSTEL- LUNG	
271	81005115/0	1	SUPPORTO ROLLER	ROLLER SUPPORT	SUPPORT ROLLER	ROLLRHILTER	504
-	81005117/0	1	SUPPORTO ROLLER	ROLLER SUPPORT	SUPPORT ROLLER	ROLLRHILTER	554
272	81007403/0	1	ROLLER	ROLLER	ROLLER	ROLLER	504
-	81007405/0	1	ROLLER	ROLLER	ROLLER	ROLLER	554
273	19216036/0	2	CUSCINETTO	BEARING	COUSSINET	LAGER	
274	22207323/0	2	FLANGIA	FLANGE	BRIDE	FLANSCH	
275	12735662/0	6	VITE	SCREW	VIS	SCHRAUBE	
276	12523040/0	3	ROSETTA	WASHER	RONDELLE	SCHEIBE	
277	22170820/0	1	DISTANZIALE	SPACER	ENTRETOISE	DISTANZRING	
278	12523100/0	1	ROSETTA	WASHER	RONDELLE	SCHEIBE	
279	12735592/0	1	VITE	SCREW	VIS	SCHRAUBE	
280	12523040/0	5	ROSETTA	WASHER	RONDELLE	SCHEIBE	
281	22060202/0	1	PROTEZIONE SX	L PROTECTION	PROTECTION G	LINKE SCHUTZ	504
-	22060203/0	1	PROTEZIONE SX	L PROTECTION	PROTECTION G	LINKE SCHUTZ	554
282	22060201/0	1	PROTEZIONE DX	R PROTECTION	PROTECTION D	RECHTE SCHUTZ	
283	12735592/0	1	VITE	SCREW	VIS	SCHRAUBE	
284	12735592/0	1	VITE	SCREW	VIS	SCHRAUBE	
-	12735594/0	1	VITE	SCREW	VIS	SCHRAUBE	

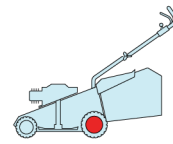
TU

504

554

TR ROLLER 4S

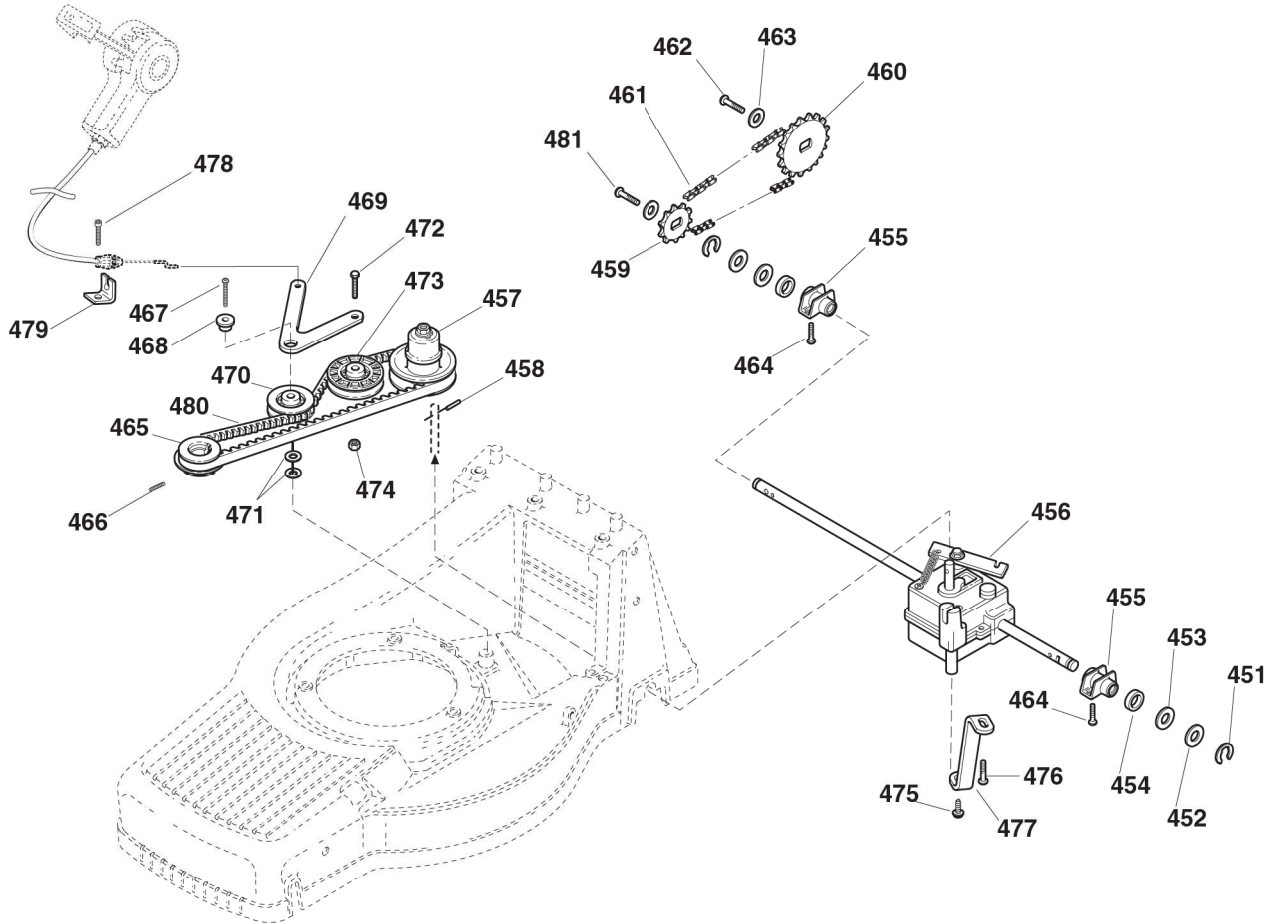
TR/E ROLLER 4S



2008

873.0

1 / 2



POS.	CODE	Q.TY	DESCRIZIONE	DESCRIPTION	DESCRIPTION	BESCHREIBUNG	REMARKS
451	12000957/0	2	ANELLO BENZING	BENZING	ANNEAU BENZING	BENZING	
452	22671659/0	2	RONDELLA	WASHER	RONDELLE	SCHEIBE	
453	12520032/0	2	ROSETTA	WASHER	RONDELLE	SCHEIBE	
454	19035152/0	2	ANELLO OR	OR RING	BAGUE OR	RING OR	
455	22785153/0	2	SUPPORTO GRUPPO TRAZIONE	SUPPORT, GEAR BOX	SUPPORT GR. TRACTION	HALTER, ANTRIEB	
456	81003087/0	1	GRUPPO TRAZIONE	GEAR BOX	GROUPE TRACTION	ANTRIEB	
457	22601916/0	1	PULEGGIA	PULLEY	POULIE	RIEMENSCHIEBE	
458	12645700/0	1	SPINA ELASTICA	PIN	GOUPILLE	STIFT	
459	22120107/0	1	CORONA	RING GEAR	COURONNE	KRANZ	
460	22120106/0	1	CORONA TRASINAMEN-TO	RING GEAR	COURONNE	KRANZ	
461	15189003/0	1	CATENA	CHAIN	CHAINE	KETTE	
462	12735662/0	1	VITE	SCREW	VIS	SCHRAUBE	
463	12523040/0	2	ROSETTA	WASHER	RONDELLE	SCHEIBE	

POS.	CODE	Q.TY	DESCRIZIONE	DESCRIPTION	DESCRIPTION	BESCHREIBUNG	REMARKS
466	12714312/0	1	GRANO	DOWEL	GRAIN	STIFT	
467	12735669/0	1	VITE	SCREW	VIS	SCHRAUBE	
468	22671656/0	1	RONDELLA	WASHER	RONDELLE	SCHLEIBE	
469	22320001/0	1	LEVA TRAZIONE	DRIVING LEVER	LEVIER TRACTION	ANTRIEBHABEL	504
-	22320003/0	1	LEVA TRAZIONE	DRIVING LEVER	LEVIER TRACTION	ANTRIEBHABEL	554
471	12523040/0	2	ROSETTA	WASHER	RONDELLE	SCHLEIBE	
472	12674550/0	1	VITE	SCREW	VIS	SCHRAUBE	
473	22601914/0	1	PULEGGIA	PULLEY	POULIE	RIEMENSCHLEIBE	
474	12154510/0	1	DADO	NUT	ECROU	MUTTER	
475	12728300/0	1	VITE	SCREW	VIS	SCHRAUBE	
476	12735664/0	1	VITE	SCREW	VIS	SCHRAUBE	
477	22778409/0	1	SUPPORTO	SUPPORT	SUPPORT	HALTER	504
-	22778407/0	1	SUPPORTO	SUPPORT	SUPPORT	HALTER	554
478	12735664/0	1	VITE	SCREW	VIS	SCHRAUBE	
479	22806619/0	1	SUPPORTO	SUPPORT	SUPPORT	HALTER	
480	35064378/0	1	CINGHIA	BELT	COURROIRE	RIEMEN	504
-	35064383/0	1	CINGHIA	BELT	COURROIRE	RIEMEN	554
481	12735592/0	1	VITE	SCREW	VIS	SCHRAUBE	

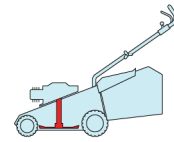
TU

504

554

TR ROLLER 4S

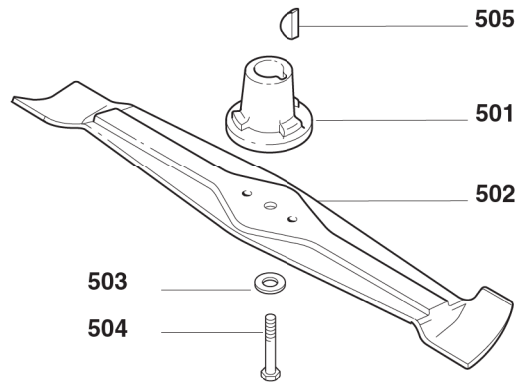
TR/E ROLLER 4S



2008

874.0

1 / 1



POS.	CODE	Q.TY	DESCRIZIONE	DESCRIPTION	DESCRIPTION	BESCHREIBUNG	REMARKS
501	22465618/0	1	MOZZO, ALBERO MOTORE Ø 22.2	HUB, CRANKSHAFT Ø 22.2	MOYEU, ARBRE MOTEUR Ø 22.2	HALTER, MOTORWELLE Ø 22.2	
-	122465630/0	1	MOZZO, ALBERO MOTORE Ø 25	HUB, CRANKSHAFT Ø 25	MOYEU, ARBRE MOTEUR Ø 25	HALTER, MOTORWELLE Ø 25	
502	81004143/0	1	COLTELLO ALETTATO	BLADE WINGED	LAME AILETTÉE	MESSER FLÜGEL	504
-	81004144/0	1	COLTELLO ALETTATO	BLADE WINGED	LAME AILETTÉE	MESSER FLÜGEL	554
503	12530140/0	1	ROSETTA	WASHER	RONDELLE	SCHEIBE	
504	12735698/0	1	VITE	SCREW	VIS	SCHRAUBE	
505	12139100/0	1	LINGUETTA, ALBERO MOTORE Ø 22.2	FEATHER, CRANKSHAFT Ø 22.2	CLAVETTE, ARBRE MOTEUR Ø 22.2	KEIL, MOTORWELLE Ø 22.2	
-	12139150/0	1	LINGUETTA, ALBERO MOTORE Ø 25	FEATHER, CRANKSHAFT Ø 25	CLAVETTE, ARBRE MOTEUR Ø 25	KEIL, MOTORWELLE Ø 25	

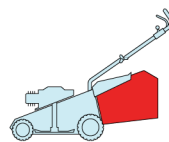
TU

504

554

TR ROLLER 4S

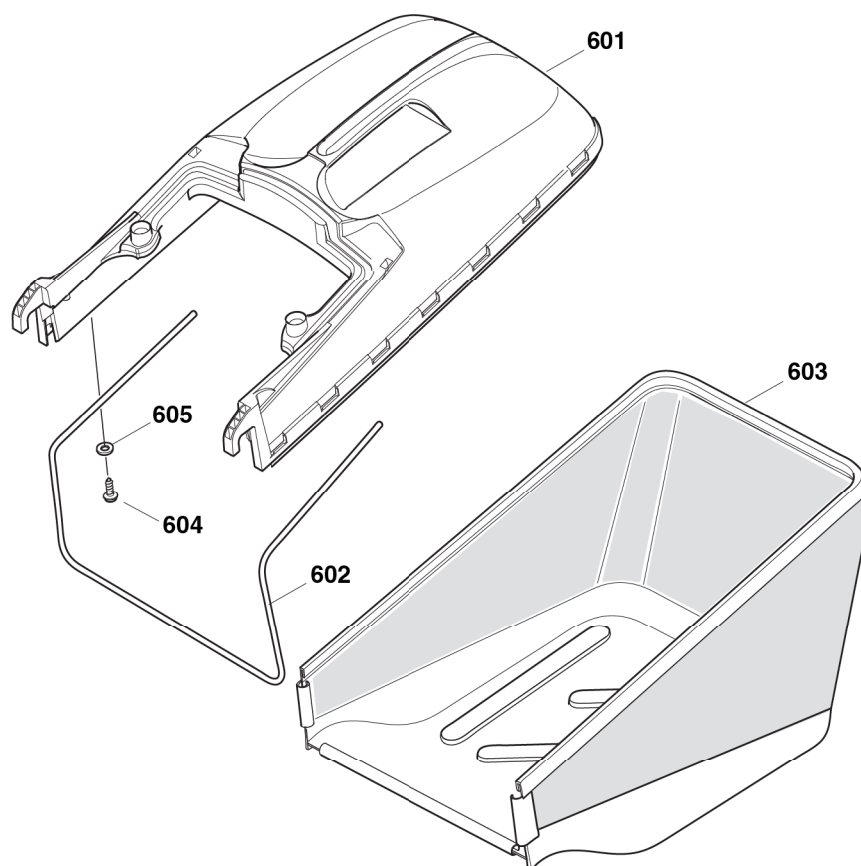
TR/E ROLLER 4S



2008

875.0

1 / 1



POS.	CODE	Q.TY	DESCRIZIONE	DESCRIPTION	DESCRIPTION	BESCHREIBUNG	REMARKS
601	22486104/1	1	SACCO, PARTE SUP	GRASS-BOX, UPPER PART	SAC, PARTIE SUPERIEURE	KORB, OBERTEIL	
602	12728300/0	2	VITE	SCREW	VIS	SCHRAUBE	
603	12521460/0	2	ROSETTA	WASHER	RONDELLE	SCHEIBE	
604	22608522/0	1	RINFORZO INF	STIFFENING LOWER	RÉNFORCEMENT INF	VERSTÄRKUNG UNTERE	
605	81002237/0	1	SACCO, TELA	BOX, FABRIC	SAC, TOILE	SACK, TUCK	