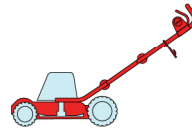


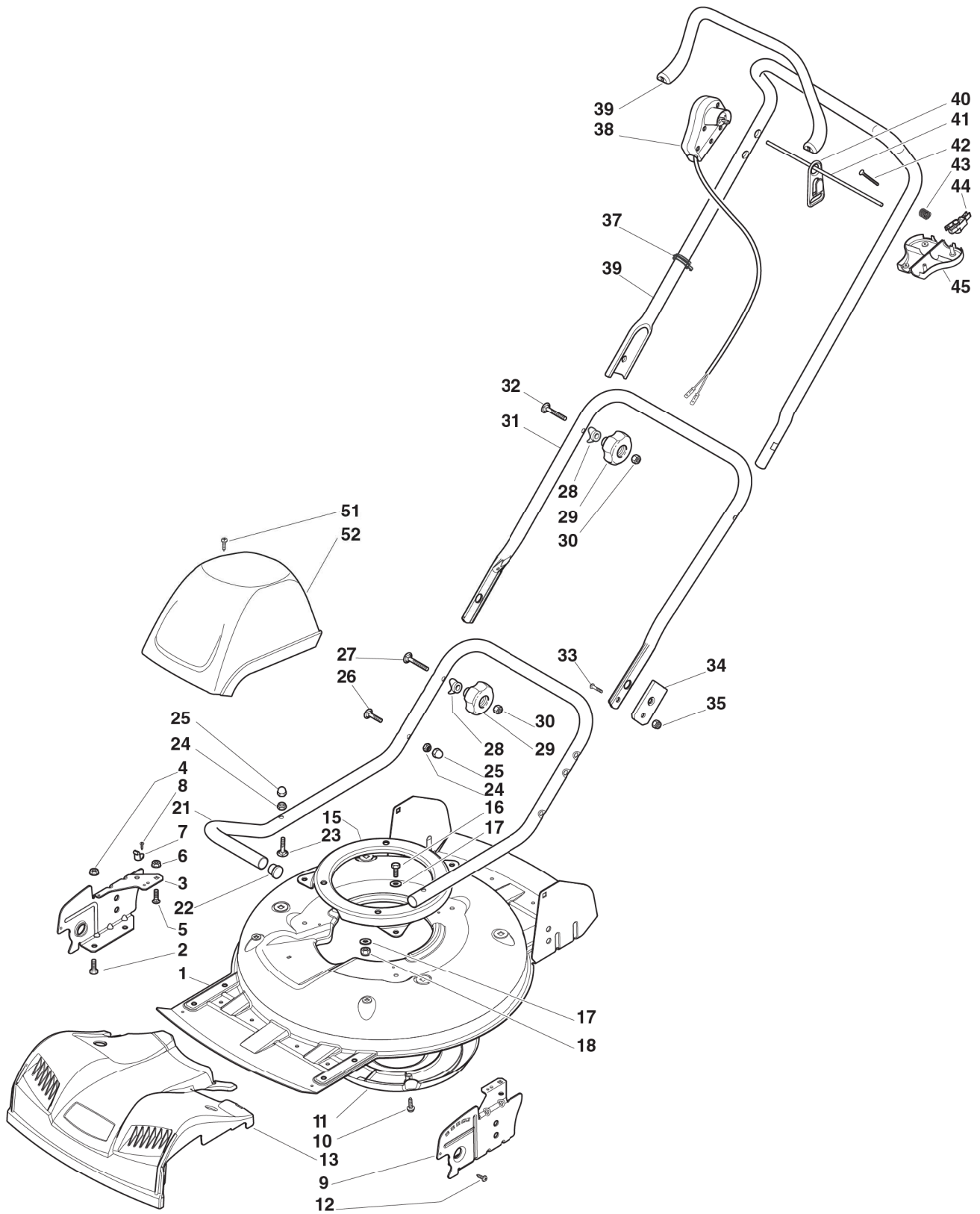
MCS 500



2008

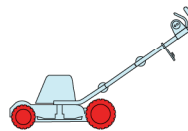
351.0

1 / 2

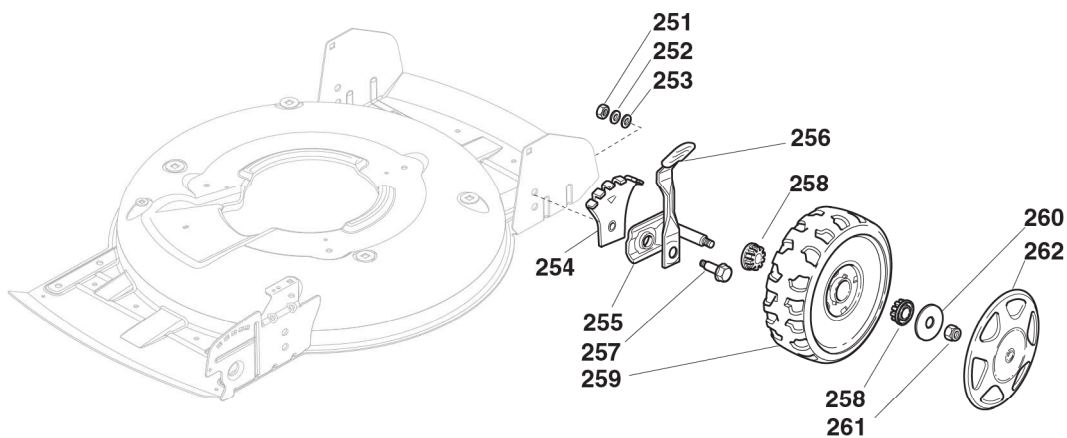


POS.	CODE	Q.TY	DESCRIZIONE	DESCRIPTION	DESCRIPTION	BESCHREIBUNG	REMARKS
1	81002907/1	1	CHASSIS GIALLO	DECK YELLOW	CHÂSSIS JAUNE	GEHÄUSE GELB	
2	12792611/0	4	VITE	SCREW	VIS	SCHRAUBE	
3	22778419/0	1	STAFFA DX	BRACKET, R	BRIDE D	PRATZE, RECHTE	
4	12293201/0	4	DADO	NUT	ECROU	MUTTER	
5	12815200/0	2	VITE	SCREW	VIS	SCHRAUBE	
6	12292102/0	2	DADO	NUT	ECROU	MUTTER	
7	22020400/0	2	AGGANCIO	FAIRLEAD	SUPPORT	HALTER	
8	12728523/0	2	VITE	SCREW	VIS	SCHRAUBE	
9	22778421/0	1	STAFFA SX	BRACKET, L	BRIDE G	PRATZE, LINKE	
10	12728530/0	3	VITE	SCREW	VIS	SCHRAUBE	
11	22060220/0	1	CARTER	PROTECTION	PROTECTION	SCHUTZ	
12	12728450/0	2	VITE	SCREW	VIS	SCHRAUBE	
13	22226097/0	1	MASCHERINA, GIALLO	MASK, YELLOW	MESQUE, JAUNE	MASKE, GELB	
-	22226098/0	1	MASCHERINA, GRIGIO	MASK, GREY	MESQUE, GRIS	MASKE, GRAU	
15	322207219/1	1	FLANGIA	FLANGE	BRIDE	FLANSCH	
16	12792611/0	3	VITE	SCREW	VIS	SCHRAUBE	
17	12523060/0	6	ROSETTA	WASHER	RONDELLE	SCHEIBE	
18	12293201/0	3	DADO	NUT	ECROU	MUTTER	
21	81006667/0	1	MANICO, PARTE INF	HANDLE, LOWER PART	MANCHERON, PARTIE INFERIEURE	HOLM, UNTERTEIL	
22	18566110/0	2	PUNTALE	CAP	BOUCHON	GUMMISTOPFEN	
23	12818900/0	4	VITE	SCREW	VIS	SCHRAUBE	
24	12155000/0	4	DADO	NUT	ECROU	MUTTER	
25	18203854/0	4	CAPPUCCIO	PROTECTION	CAPUCHON	STECKER	
26	12818900/0	4	VITE	SCREW	VIS	SCHRAUBE	
27	12819202/0	2	VITE	SCREW	VIS	SCHRAUBE	
28	22680006/1	4	ROSETTA	WASHER	RONDELLE	SCHEIBE	
29	322399804/1	4	MANOPOLINA	KNOB	POIGNÉE	GRIFF	
30	12293200/0	4	DADO	NUT	ECROU	MUTTER	
31	81006669/0	1	MANICO, PARTE INTER- MEDIA	HANDLE, MIDDLE PART	MANCHERON	HOLM	
32	12819201/0	2	VITE	SCREW	VIS	SCHRAUBE	
33	12760475/0	2	VITE	SCREW	VIS	SCHRAUBE	
34	22551578/0	2	PIASTRINA	PLATE	PLAQUETTE	PLÄTTCHEN	
35	12154330/0	2	DADO	NUT	ECROU	MUTTER	
36	81007017/2	1	MANICO, PARTE SUP	HANDLE, UPPER PART	MANCHERON, PARTIE SUPERIEURE	HOLM, OBERTEIL	
37	22192000/1	2	FASCETTA	ANCHOR CLAMP	COLLIER ANCRAGE	BOWDENZUGHALTER	
38	-	1	SALVAMOTORE	DEAD HAND SWITCH	INT. MAIN MORTE	TOT MANSCHALTER	(SEE ENCLOSURE 4)
39	22322881/0	1	LEVA FRENO MOTORE, NERO	LEVER, ENGINE BRAKE - BLACK	LEVIER FREIN MOTEUR, NOIR	HEBEL, MOTORBREMSE - SCHWARZ	
39	22322885/0	1	LEVA FRENO MOTORE, GIALLO	LEVER, ENGINE BRAKE - YELLOW	LEVIER FREIN MOTEUR, JAUNE	HEBEL, MOTORBREMSE - GELB	
40	22195101/4	1	FERMACAVO	FAIRLEAD	FIXATION CABLE	KABELBEFESTIGUNG	
41	22010251/0	1	ASTA AGGANCIO FER- MACAVO	ROD, FAIRLEAD BEARING	TIGE SUPPORT SERRE- CABLE	STANGE, KABELHALTER	
42	12728685/0	4	VITE	SCREW	VIS	SCHRAUBE	
43	22450115/0	1	MOLLA	SPRING	RESSORT	FEDER	
44	322230350/1	1	FULCRO	FULCRUM PIN	POINT D'APPUI	GELENKPUNKT	
45	22785144/0	1	SUPPORTO	SUPPORT	SUPPORT	HALTER	
51	12728680/0	2	VITE	SCREW	VIS	SCHRAUBE	
52	81002060/0	1	CAPOTTINA	COVER	CAPOT	HAUBE	

MCS 500

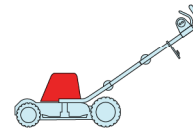


2008
352.0
1 / 1



POS.	CODE	Q.TY	DESCRIZIONE	DESCRIPTION	DESCRIPTION	BESCHREIBUNG	REMARKS
251	12293200/0	4	DADO	NUT	ECROU	MUTTER	
252	12583500/0	4	GROWER	GROWER	GROWER	FEDERRING	
253	12523070/0	4	ROSETTA	WASHER	RONDELLE	SCHEIBE	
254	22735547/0	4	SETTORE REGOLAZIONE ALTEZZA	SECTOR, HEIGHT ADJUSTMENT	SECTEUR REGLAGE HAUTEUR	SEKTOR, HÖHEVERSTELLUNG	
255	81005082/0	4	SUPPORTO RUOTA	SUPPORT, WHEEL	SUPPORT ROUE	HALTER, RAD	
256	81003286/0	4	LEVA REGOLAZIONE ALTEZZA	LEVER, HEIGHT ADJUSTMENT	LEVIER, REGLAGE HAUTEUR	HEBEL, HÖHEVERSTELLUNG	
257	22519811/0	4	PERNO	PIN	PIVOT	BOLZEN	
258	22034508/0	8	BUSSOLA	BUSH	DOUILLE	BUCHSE	
259	22686092/0	2	RUOTA Ø 190	WHEEL Ø 190	ROUE Ø 190	RAD Ø 190	
260	12523060/0	4	ROSETTA	WASHER	RONDELLE	SCHEIBE	
261	12155000/0	4	DADO	NUT	ECROU	MUTTER	
262	-	4	COPRIMOZZO	HUB CAP	COUVRE-MOYEU	RADKAPPE	(SEE ENCLOSURE 2)

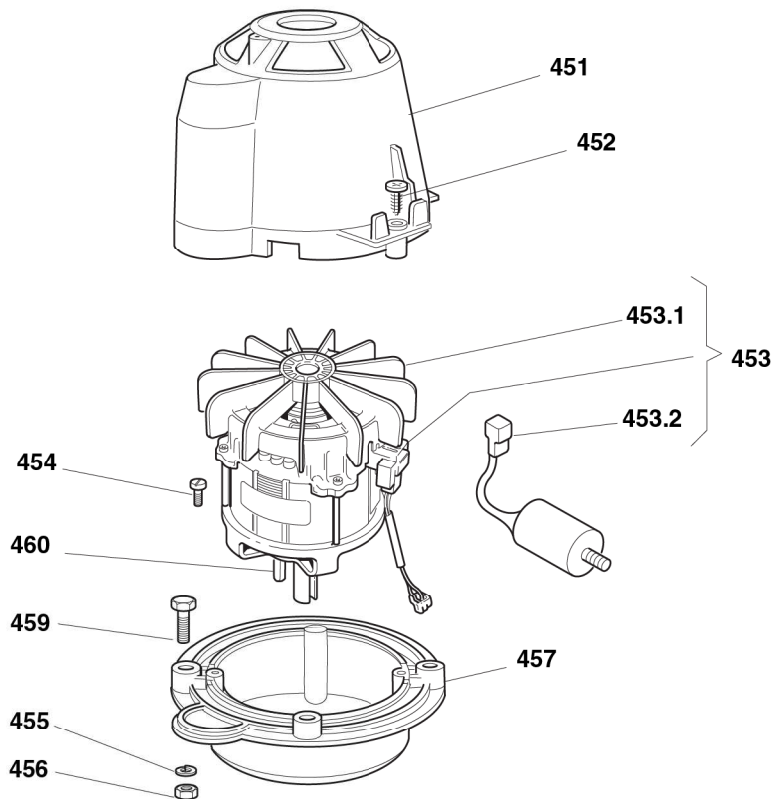
**MCS 500**



2008

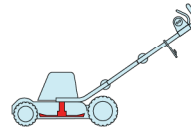
**353.0**

1 / 1



POS.	CODE	Q.TY	DESCRIZIONE	DESCRIPTION	DESCRIPTION	BESCHREIBUNG	REMARKS
451	22785061/0	1	SUPPORTO CAPOTTINA	SUPPORT, COVER	SUPPORT CAPOT	HALTER, HAUBE	
452	12728710/0	4	VITE	SCREW	VIS	SCHRAUBE	
453	118563665/0	1	MOTORE LEO	MOTOR LEO	MOTEUR LEO	MOTOR LEO	230V (1600W)
-	18563605/0	1	MOTORE ATB	MOTOR ATB	MOTEUR ATB	MOTOR ATB	230V (1600W)
453,2	18222045/0	1	CONDENSATORE 16 µF	CONDENSER 16 µF	CONDENSEUR 16 µF	KONDENSATOR 16 µF	(ATB)
453,1	18740054/0	1	VENTOLA PER MOTORE ATB	FAN MOTOR ATB	VENTILATEUR MOTEUR ATB	LÜFTER MOTOR ATB	
454	12735410/0	4	VITE	SCREW	VIS	SCHRAUBE	
455	12583500/0	4	GROWER	GROWER	GROWER	FEDERRING	
456	12293200/0	4	DADO	NUT	ECROU	MUTTER	
457	322207211/4	1	FLANGIA	FLANGE	BRIDE	FLANSCH	
459	12793700/0	4	VITE	SCREW	VIS	SCHRAUBE	
460	12139440/0	1	LINGUETTA	FEATHER	CLAVETTE	KEIL	

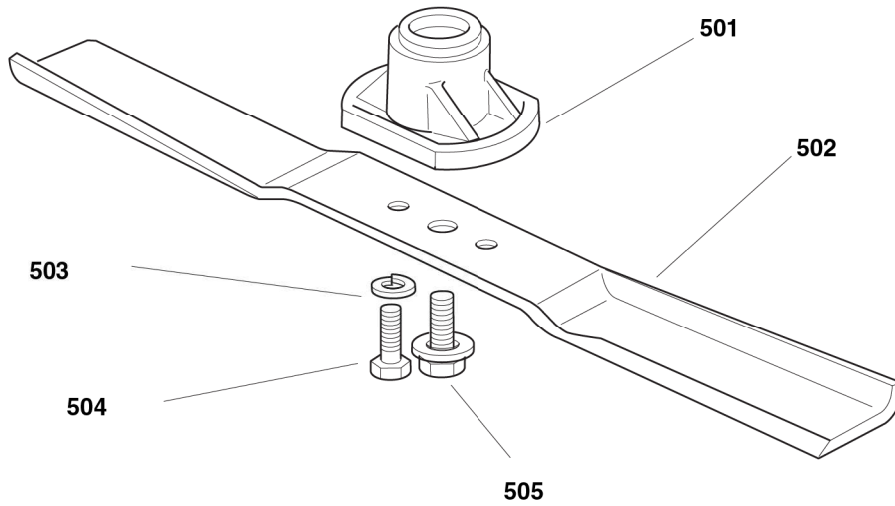
**MCS 500**



2008

**354.0**

1 / 1



POS.	CODE	Q.TY	DESCRIZIONE	DESCRIPTION	DESCRIPTION	BESCHREIBUNG	REMARKS
501	322463186/3	1	MOZZO	HUB	MOYEU	HALTER	
502	81004146/0	1	COLTELLO STANDARD	BLADE STANDARD	LAME STANDARD	MESSER STANDARD	
503	12583500/0	2	GROWER	GROWER	GROWER	FEDERRING	
504	12793101/0	2	VITE	SCREW	VIS	SCHRAUBE	
505	81004352/0	1	VITE	SCREW	VIS	SCHRAUBE	