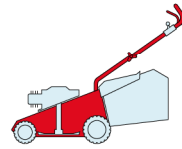
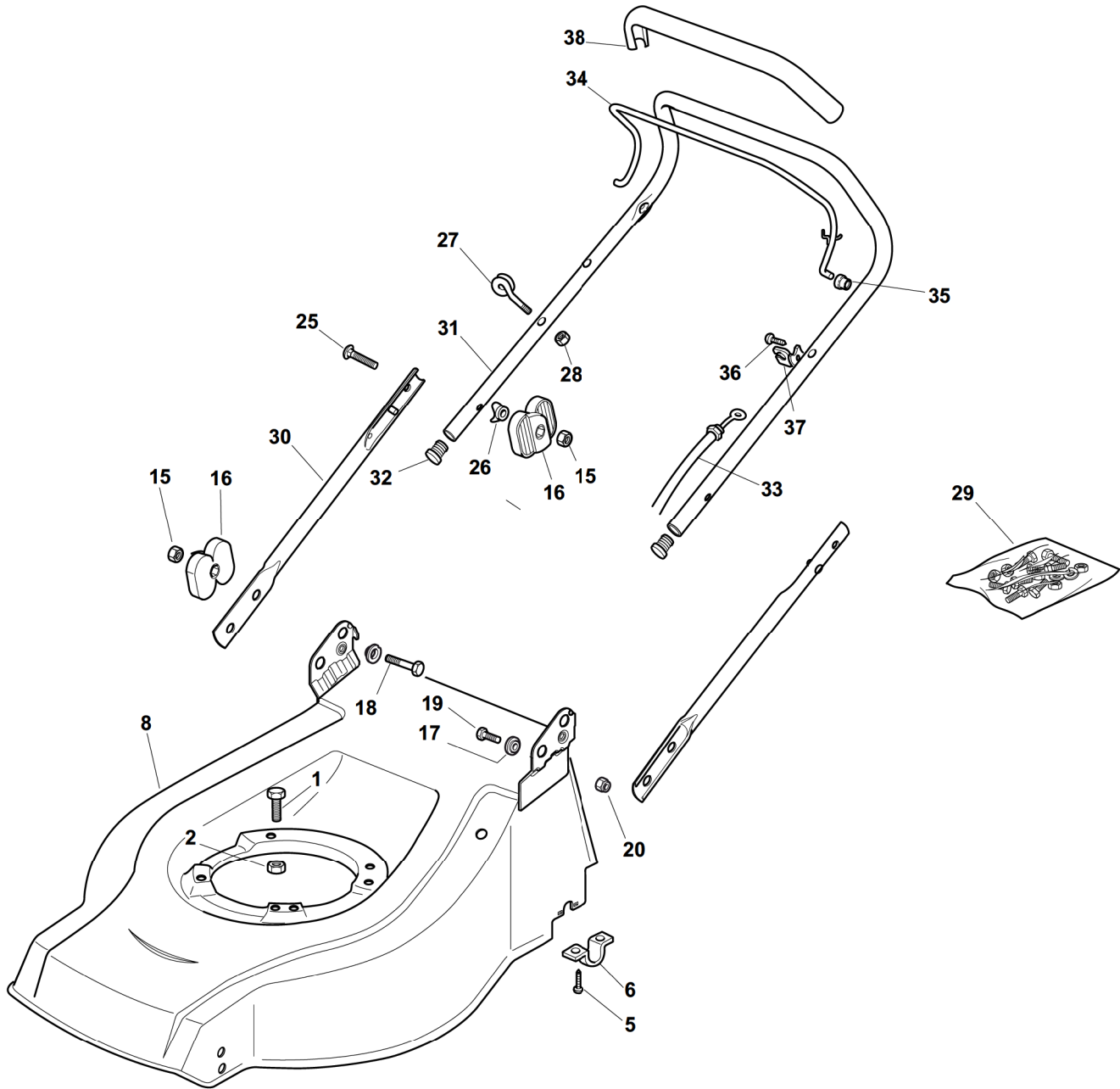


# CA 484 ROLLER



|        |
|--------|
| 2009   |
| 21_001 |
| 1 / 2  |



| POS. | CODE       | Q.TY | DESCRIZIONE   | DESCRIPTION | DESCRIPTION   | BESCHREIBUNG | REMARKS |
|------|------------|------|---------------|-------------|---------------|--------------|---------|
| 1    | 12691800/0 | 0/1  | Vite          | Screw       | Vis           | Schraube     |         |
| 1    | 12793701/0 | 3/2  | Vite          | Screw       | Vis           | Schraube     |         |
| 2    | 12155000/0 | 0/1  | Dado          | Nut         | Ecrou         | Mutter       |         |
| 2    | 12293201/0 | 3/2  | Dado          | Nut         | Ecrou         | Mutter       |         |
| 5    | 12731350/0 | 4    | Vite          | Screw       | Vis           | Schraube     |         |
| 6    | 22545154/0 | 2    | Piastrina     | Plate       | Plaquette     | Platte       |         |
| 8    | 81002564/0 | 1    | Chassis Rosso | Deck Red    | Châssis Rouge | Gehäuse Rot  |         |
| 15   | 12293202/0 | 4    | Dado          | Nut         | Ecrou         | Mutter       |         |
| 16   | 22399803/0 | 4    | Manopolina    | Knob        | Poignée       | Griff        |         |
| 17   | 22041955/0 | 4    | Bussola       | Bush        | Douille       | Buchse       |         |
| 18   | 12793700/0 | 2    | Vite          | Screw       | Vis           | Schraube     |         |

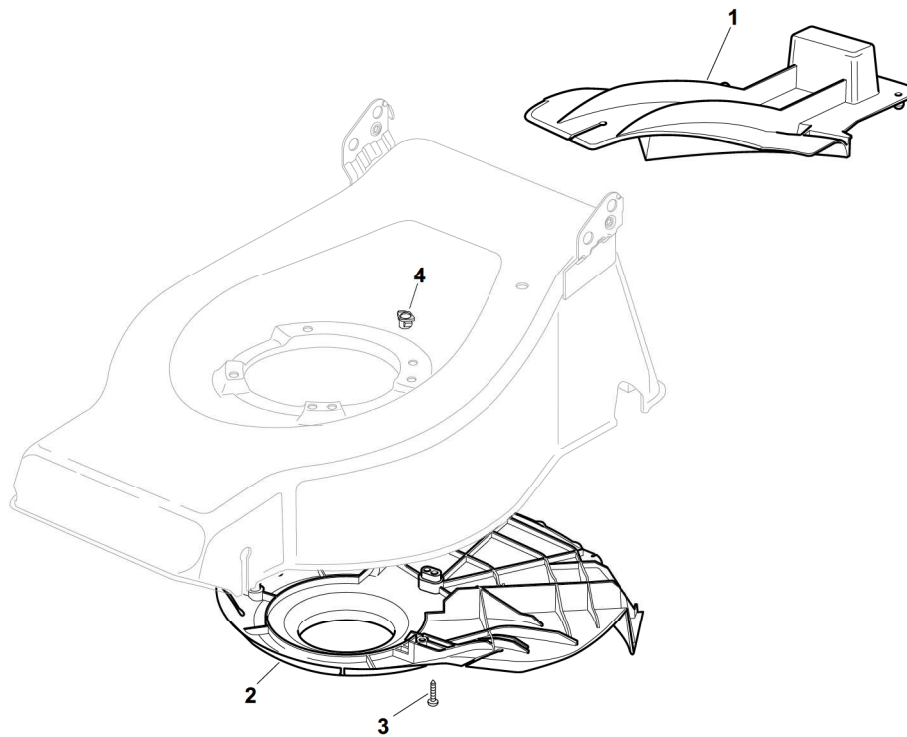
| POS. | CODE       | Q.TY | DESCRIZIONE             | DESCRIPTION                | DESCRIPTION                  | BESCHREIBUNG       | REMARKS              |
|------|------------|------|-------------------------|----------------------------|------------------------------|--------------------|----------------------|
| 19   | 12792610/0 | 2    | Vite                    | Screw                      | Vis                          | Schraube           |                      |
| 20   | 12155000/0 | 2    | Dado                    | Nut                        | Ecrou                        | Mutter             |                      |
| 25   | 12819125/0 | 2    | Vite                    | Screw                      | Vis                          | Schraube           |                      |
| 26   | 22680006/1 | 2    | Rosetta                 | Washer                     | Rondelle                     | Scheibe            |                      |
| 27   | 22430309/0 | 1    | Molla Guida             | Guide Spring               | Ressort De Guide             | Feder Führer       |                      |
| 28   | 12154330/0 | 1    | Dado                    | Nut                        | Ecrou                        | Mutter             |                      |
| 29   | 81008640/0 | 1    | Dotazione Viteria       | Outfit, Screws             | Dotation Visserie            | Satz, Schrauben    |                      |
| 30   | 81006973/0 | 2    | Manico, Parte Inf       | Handle, Lower Part         | Mancheron, Partie Inferieure | Holm, Unterteil    |                      |
| 31   | 81006977/1 | 1    | Manico, Parte Sup       | Handle, Upper Part         | Mancheron, Partie Superieure | Holm, Oberteil     |                      |
| 32   | 18566112/0 | 2    | Puntale                 | Cap                        | Bouchon                      | Gummistopfen       |                      |
| 33   | 81000625/0 | 1    | Cavo Freno Motore       | Cable, Thread Engine Brake | Cable Frein Moteur           | Kabel, Motorbremse | (B&S 450-500 Series) |
| 33   | 81000642/1 | 1    | Cavo Freno Motore       | Cable, Thread Engine Brake | Cable Frein Moteur           | Kabel, Motorbremse | (B&S 625-675 Series) |
| 33   | 81000757/0 | 1    | Cavo Freno Motore       | Cable, Thread Engine Brake | Cable Frein Moteur           | Kabel, Motorbremse | (Ggp 140cc)          |
| 33   | 81000611/0 | 1    | Cavo Freno Motore       | Cable, Thread Engine Brake | Cable Frein Moteur           | Kabel, Motorbremse | (Ggp 150cc)          |
| 33   | 81000757/0 | 1    | Cavo Freno Motore       | Cable, Thread Engine Brake | Cable Frein Moteur           | Kabel, Motorbremse | (Ggp 160cc)          |
| 33   | 81000757/0 | 1    | Cavo Freno Motore       | Cable, Thread Engine Brake | Cable Frein Moteur           | Kabel, Motorbremse | (Ggp 196cc)          |
| 33   | 81000641/0 | 1    | Cavo Freno Motore       | Cable, Thread Engine Brake | Cable Frein Moteur           | Kabel, Motorbremse | (Honda Gcv 135-160)  |
| 34   | 81003291/3 | 1    | Leva Freno Motore       | Lever, Engine Brake        | Levier Frein Moteur          | Hebel, Motorbremse |                      |
| 35   | 22041966/0 | 2    | Bussola                 | Bush                       | Douille                      | Buchse             |                      |
| 36   | 12728518/0 | 1    | Vite                    | Screw                      | Vis                          | Schraube           |                      |
| 37   | 22806612/0 | 1    | Supporto                | Support                    | Support                      | Halter             |                      |
| 38   | 22291050/0 | 1    | Impugnatura Manico Nera | Handgrip Black             | Poignée Noire                | Handgriff Schwarz  |                      |

# CA 484 ROLLER

2009

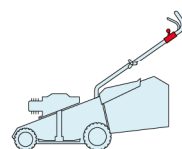
21\_002

1 / 1

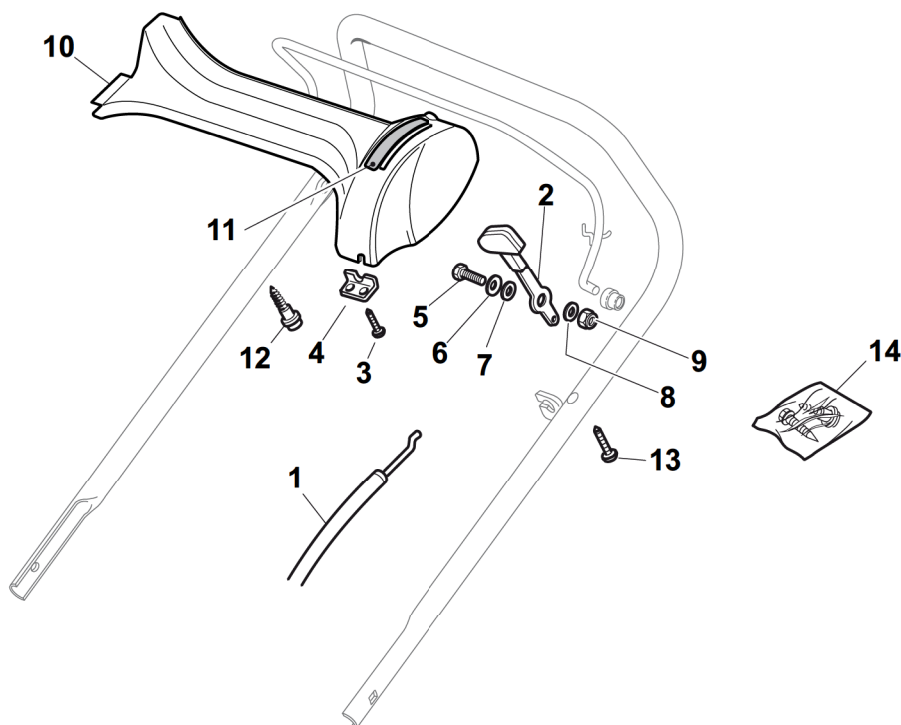


| POS. | CODE       | Q.TY | DESCRIZIONE      | DESCRIPTION   | DESCRIPTION | BESCHREIBUNG  | REMARKS |
|------|------------|------|------------------|---------------|-------------|---------------|---------|
| 1    | 22140223/0 | 1    | Deflettore       | Deflector     | Deflecteur  | Deflektor     | 484     |
| 2    | 22060199/0 | 1    | Carter           | Protection    | Protection  | Schutz        | 484     |
| 3    | 12728530/0 | 3    | Vite             | Screw         | Vis         | Schraube      |         |
| 4    | 22291150/0 | 1    | Inserto In Gomma | Rubber Insert | Insert De   | Gummi Einsatz |         |

# CA 484 ROLLER

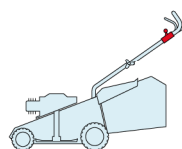


|               |
|---------------|
| 2009          |
| <b>21_003</b> |
| 1 / 1         |



| POS. | CODE        | Q.TY | DESCRIZIONE                  | DESCRIPTION               | DESCRIPTION               | BESCHREIBUNG            | REMARKS   |
|------|-------------|------|------------------------------|---------------------------|---------------------------|-------------------------|---|
| 1    | 22140223/0  | 1    | Deflettore                   | Deflector                 | Deflecteur                | Deflektor               | 484   |
| 2    | 22060199/0  | 1    | Carter                       | Protection                | Protection                | Schutz                  | 484   |
| 3    | 12728530/0  | 3    | Vite                         | Screw                     | Vis                       | Schraube                |   |
| 4    | 22291150/0  | 1    | Inserto In Gomma             | Rubber Insert             | Insert De                 | Gummi Einsatz           |   |
| 1    | 81007160/0  | 1    | Cavo Acceleratore            | Throttle Cable            | Cable, Accelérateur       | Gashebel Kabel          |   |
| 2    | 81007280/2  | 1    | Leva, Acceleratore           | Lever, Throttle           | Levier,                   | Hebel, Beshleuniger     | (B&S 625-675-700 Series - Honda - Ggp 140-160-196 cc) |
| 2    | 81007221/0  | 1    | Leva, Acceleratore           | Lever, Throttle           | Levier,                   | Hebel, Beshleuniger     | (B&S 450-500 Series - Ggp 150 cc)                     |
| 3    | 12735105/0  | 2    | Vite                         | Screw                     | Vis                       | Schraube                |   |
| 4    | 22981467/0  | 1    | Piastrina                    | Plate                     | Plaquette                 | Platte                  |   |
| 5    | 12791500/0  | 1    | Vite                         | Screw                     | Vis                       | Schraube                |   |
| 6    | 12530060/0  | 1    | Rosetta Elastica             | Elastic Washer            | Rondelle Elastique        | Elastische Scheibe      |   |
| 7    | 12523040/0  | 1    | Rosetta                      | Washer                    | Rondelle                  | Scheibe                 |   |
| 8    | 12523040/0  | 1    | Rosetta                      | Washer                    | Rondelle                  | Scheibe                 |   |
| 9    | 12154510/0  | 1    | Dado                         | Nut                       | Ecrou                     | Mutter                  |   |
| 10   | 22120172/0  | 1    | Cruscotto Nero               | Dash Board Black          | Console Noire             | Konsole Schwarze        |   |
| 10   | 22120173/0  | 1    | Cruscotto Rosso              | Dash Board Red            | Console Rouge             | Konsole Rote            |   |
| 10   | 22120174/0  | 1    | Cruscotto Giallo             | Dash Board Yellow         | Console Jaune             | Konsole Gelbe           |   |
| 11   | 114356744/1 | 1    | Etichetta                    | Label                     | Etiquette                 | Etikette                | (B&S)   |
| 11   | 114356906/1 | 1    | Etichetta                    | Label                     | Etiquette                 | Etikette                | (B&S 700 series DOV)                                  |
| 11   | 114356743/1 | 1    | Etichetta                    | Label                     | Etiquette                 | Etikette                | (GGP)   |
| 11   | 114356743/1 | 1    | Etichetta                    | Label                     | Etiquette                 | Etikette                | (Honda)   |
| 11   | 114357646/1 | 1    | Etichetta                    | Label                     | Etiquette                 | Etikette                | (Honda GCV 160-190 Autochoke)                         |
| 12   | 22943006/0  | 1    | Vite                         | Screw                     | Vis                       | Schraube                |   |
| 13   | 12728460/0  | 1    | Vite                         | Screw                     | Vis                       | Schraube                |   |
| 14   | 81008609/0  | 1    | Dotazione Viteria Cru-scotto | Outfit, Dash-Board Screws | Dotation Visserie Console | Satz, Konsole Schrauben |   |

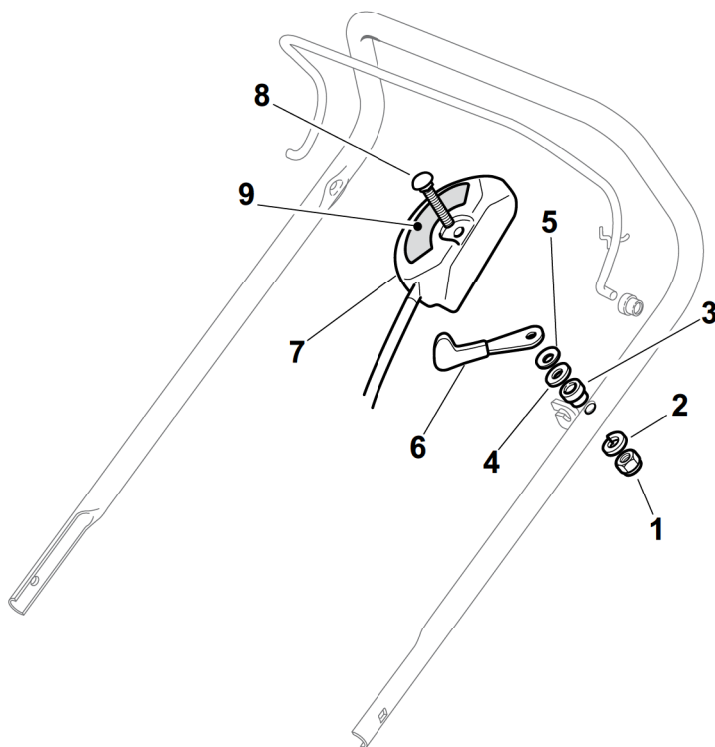
# CA 484 ROLLER



2009

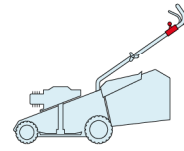
21\_004

1 / 1



| POS. | CODE        | Q.TY | DESCRIZIONE        | DESCRIPTION     | DESCRIPTION          | BESCHREIBUNG        | REMARKS   |
|------|-------------|------|--------------------|-----------------|----------------------|---------------------|---|
| 1    | 12291000/0  | 1    | Dado               | Nut             | Ecrou                | Mutter              |   |
| 2    | 12581500/0  | 1    | Grower             | Grower          | Grower               | Federring           |   |
| 3    | 22171005/0  | 1    | Distanziale        | Spacer          | Entretoise           | Distanzring         |   |
| 4    | 12521360/0  | 1    | Rosetta            | Washer          | Rondelle             | Scheibe             |   |
| 5    | 12508100/0  | 1    | Rosetta Elastica   | Spring Washer   | Rondelle Elastique   | Elastische Scheibe  |   |
| 6    | 81007279/1  | 1    | Leva, Acceleratore | Lever, Throttle | Levier, Accelérateur | Hebel, Beshleuniger | (B&S 625-675-700 Series - Honda - Ggp 140-160-196 cc) |
| 6    | 81007220/0  | 1    | Leva, Acceleratore | Lever, Throttle | Levier, Accelérateur | Hebel, Beshleuniger | (B&S 450-500 Series - Ggp 150 cc)                     |
| 7    | 81007080/0  | 1    | Cavo Acceleratore  | Throttle Cable  | Cable, Accelérateur  | Gashebel Kabel      |   |
| 8    | 12815000/0  | 1    | Vite               | Screw           | Vis                  | Schraube            |   |
| 9    | 14356703/0  | 1    | Etichetta          | Label           | Etiquette            | Etikette            | (B&S)   |
| 9    | 114356905/0 | 1    | Etichetta          | Label           | Etiquette            | Etikette            | (B&S 700 series DOV)                                  |
| 9    | 14356702/0  | 1    | Etichetta          | Label           | Etiquette            | Etikette            | (GGP)   |
| 9    | 114364264/0 | 1    | Etichetta          | Label           | Etiquette            | Etikette            | AVS (GGP 160-196)                                     |
| 9    | 14356702/0  | 1    | Etichetta          | Label           | Etiquette            | Etikette            | (Honda)   |
| 9    | 114356905/0 | 1    | Etichetta          | Label           | Etiquette            | Etikette            | (Honda GCV 160-190 Autochoke)                         |

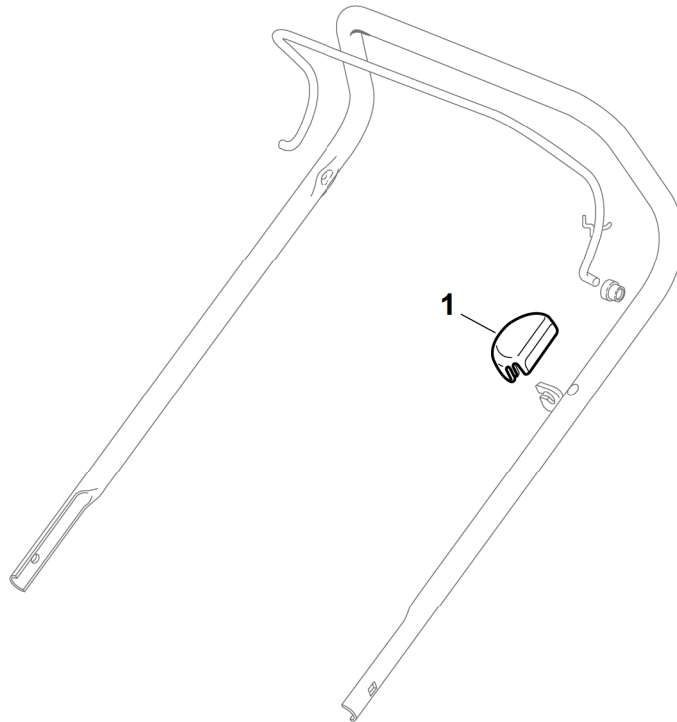
# CA 484 ROLLER



2009

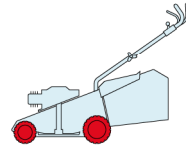
21\_005

1 / 1

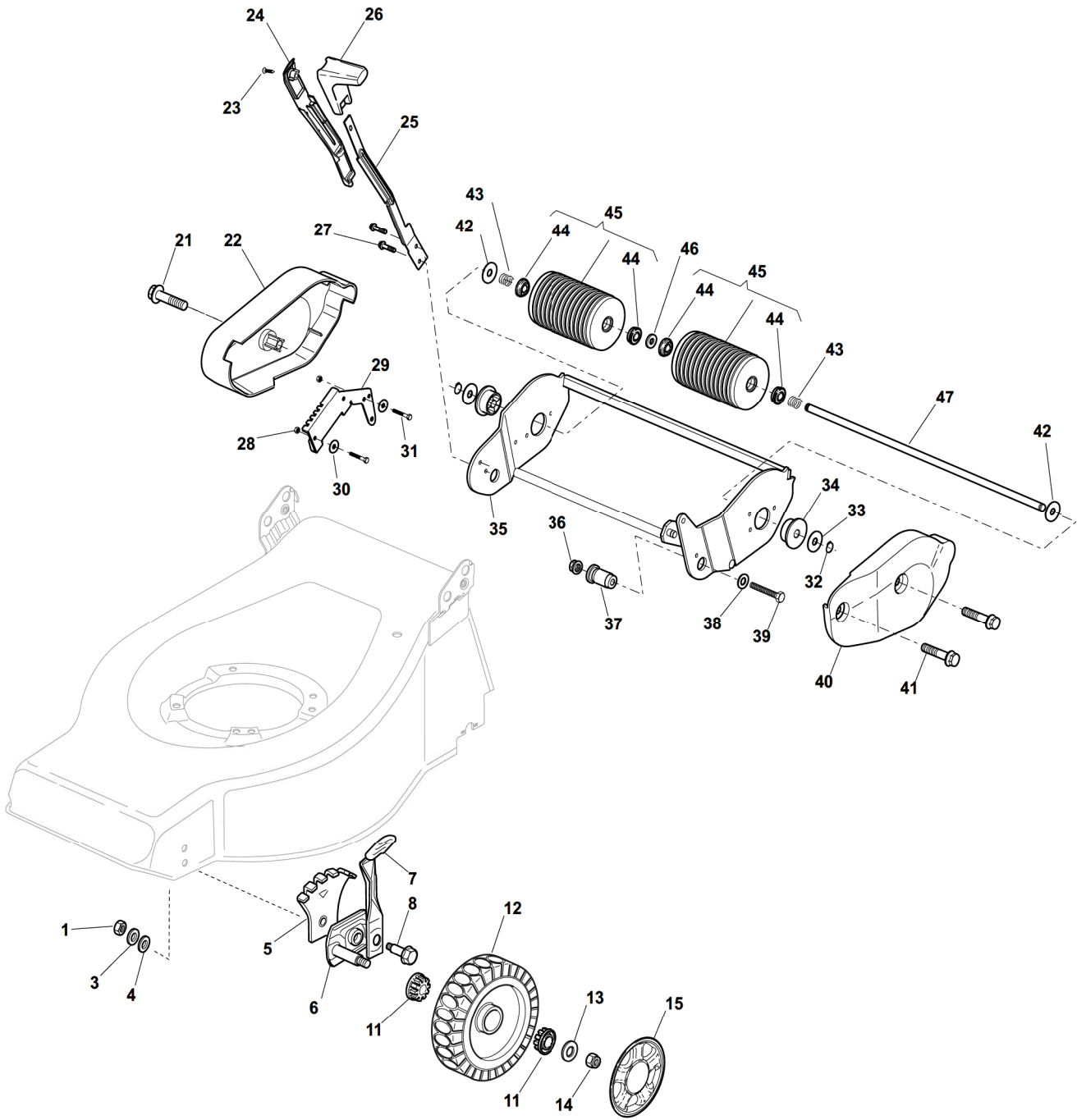


| POS. | CODE       | Q.TY | DESCRIZIONE | DESCRIPTION | DESCRIPTION | BESCHREIBUNG | REMARKS |
|------|------------|------|-------------|-------------|-------------|--------------|---------|
| 1    | 22601000/0 | 1    | Protezione  | Protection  | Protection  | Schutz       |         |

# CA 484 ROLLER



|        |
|--------|
| 2009   |
| 21_006 |
| 1 / 2  |

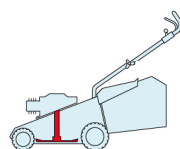


| POS. | CODE       | Q.TY | DESCRIZIONE                 | DESCRIPTION               | DESCRIPTION             | BESCHREIBUNG            | REMARKS |
|------|------------|------|-----------------------------|---------------------------|-------------------------|-------------------------|---------|
| 1    | 12293200/0 | 2    | Dado                        | Nut                       | Ecrou                   | Mutter                  |         |
| 3    | 12583500/0 | 2    | Grower                      | Grower                    | Grower                  | Federring               |         |
| 4    | 12523070/0 | 2    | Rosetta                     | Washer                    | Rondelle                | Scheibe                 |         |
| 5    | 22735547/0 | 2    | Settore Regolazione Altezza | Sector, Height Adjustment | Secteur Reglage Hauteur | Sektor, Höheverstellung |         |
| 6    | 81005082/0 | 2    | Supporto Ruota              | Support, Wheel            | Support Roue            | Halter, Rad             |         |
| 7    | 81003285/1 | 2    | Leva Regolazione Altezza    | Lever, Height Adjustment  | Levier, Reglage Hauteur | Hebel, Höheverstellung  |         |
| 8    | 22519811/0 | 2    | Perno                       | Pin                       | Pivot                   | Bolzen                  |         |
| 9    | 81005084/0 | 2    | Supporto Ruota              | Support, Wheel            | Support Roue            | Halter, Rad             |         |
| 10   | 81003286/0 | 2    | Leva Regolazione Altezza    | Lever, Height Adjustment  | Levier, Reglage Hauteur | Hebel, Höheverstellung  |         |

| POS. | CODE       | Q.TY | DESCRIZIONE                 | DESCRIPTION               | DESCRIPTION             | BESCHREIBUNG            | REMARKS           |
|------|------------|------|-----------------------------|---------------------------|-------------------------|-------------------------|-------------------|
| 11   | 22034508/0 | 4    | Bussola                     | Bush                      | Douille                 | Buchse                  |                   |
| 12   | 81007336/0 | 2    | Ruota Scolpita Ø 170        | Wheel, Knobbly Ø 170      | Roue Sculptee Ø 170     | Rad M. Stollenpr. Ø 170 |                   |
| 13   | 12523060/0 | 2    | Rosetta                     | Washer                    | Rondelle                | Scheibe                 |                   |
| 14   | 12155000/0 | 2    | Dado                        | Nut                       | Ecrou                   | Mutter                  |                   |
| 15   | -          | 2    | Coprimezzo                  | Hub Cap                   | Couvre-Moyeu            | Radkappe                | (See Enclosure 1) |
| 21   | 12735594/0 | 1    | Vite                        | Screw                     | Vis                     | Schraube                |                   |
| 22   | 22060210/0 | 1    | Protezione Dx               | R Protection              | Protection D            | Rechte Schutz           |                   |
| 23   | 12728680/0 | 1    | Vite                        | Screw                     | Vis                     | Schraube                |                   |
| 24   | 22109722/0 | 1    | Copertura                   | Cover                     | Couvre                  | Kappe                   |                   |
| 25   | 22321505/0 | 1    | Leva Regolazione Altezza    | Lever, Height Adjustment  | Levier, Reglage Hauteur | Hebel, Höheverstellung  |                   |
| 26   | 22399805/0 | 1    | Manopolina                  | Knob                      | Poignée                 | Griff                   |                   |
| 27   | 12735121/0 | 2    | Vite                        | Screw                     | Vis                     | Schraube                |                   |
| 28   | 12154330/0 | 2    | Dado                        | Nut                       | Ecrou                   | Mutter                  |                   |
| 29   | 22735551/0 | 1    | Settore Regolazione Altezza | Sector, Height Adjustment | Secteur Reglage Hauteur | Sektor, Höheverstellung |                   |
| 30   | 12521331/0 | 2    | Rosetta                     | Washer                    | Rondelle                | Scheibe                 |                   |
| 31   | 12789000/0 | 2    | Vite                        | Screw                     | Vis                     | Schraube                |                   |
| 32   | 12000957/0 | 2    | Anello Benzing              | Benzing                   | Anneau Benzing          | Benzing                 |                   |
| 33   | 22672151/0 | 2    | Rosetta                     | Washer                    | Rondelle                | Scheibe                 |                   |
| 34   | 22034512/0 | 2    | Bussola                     | Bush                      | Douille                 | Buchse                  |                   |
| 35   | 81005109/1 | 1    | Supporto Roller             | Roller Support            | Support Roller          | Rollrhlter              |                   |
| 36   | 12293201/0 | 2    | Dado                        | Nut                       | Ecrou                   | Mutter                  |                   |
| 37   | 22785132/0 | 2    | Supporto                    | Support                   | Support                 | Halter                  |                   |
| 38   | 12523060/0 | 2    | Rosetta                     | Washer                    | Rondelle                | Scheibe                 |                   |
| 39   | 12691700/0 | 2    | Vite                        | Screw                     | Vis                     | Schraube                |                   |
| 40   | 22060211/0 | 1    | Protezione Sx               | L Protection              | Protection G            | Linke Schutz            |                   |
| 41   | 12735592/0 | 2    | Vite                        | Screw                     | Vis                     | Schraube                |                   |
| 43   | 22430210/0 | 2    | Molla                       | Spring                    | Ressort                 | Feder                   |                   |
| 44   | 22122200/0 | 4    | Cuscinetto                  | Bearing                   | Coussinet               | Lager                   |                   |
| 45   | 81007400/0 | 2    | Rullo Completo              | Ass.Y Roller              | Roller, Ans             | Roller                  |                   |
| 46   | 12521370/0 | 1    | Rosetta                     | Washer                    | Rondelle                | Scheibe                 |                   |
| 47   | 22033360/0 | 1    | Asse Roller                 | Axle, Roller              | Axe Roller              | Achse, Roller           |                   |
| 48   | 22672151/0 | 2    | Rosetta                     | Washer                    | Rondelle                | Scheibe                 |                   |



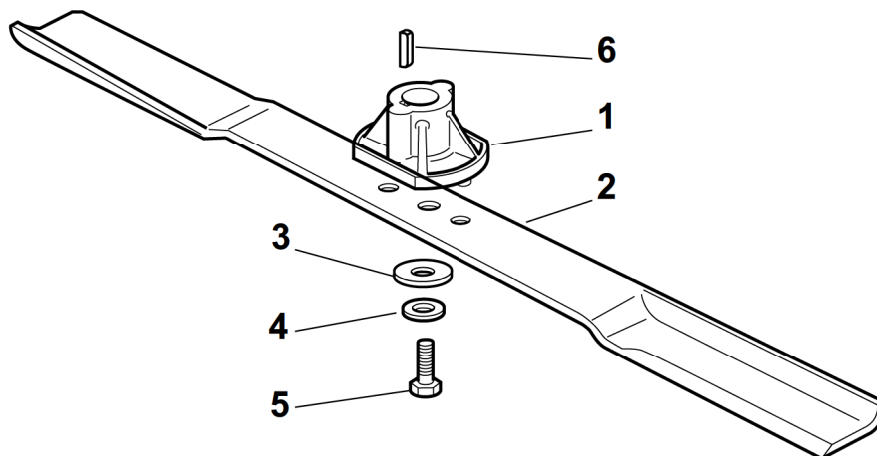
# CA 484 ROLLER



2009

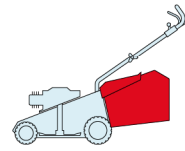
21\_007

1 / 1



| POS. | CODE        | Q.TY | DESCRIZIONE                     | DESCRIPTION                | DESCRIPTION                   | BESCHREIBUNG              | REMARKS |
|------|-------------|------|---------------------------------|----------------------------|-------------------------------|---------------------------|---------|
| 1    | 22463012/2  | 1    | Mozzo, Albero Motore Ø 22.2     | Hub, Crankshaft Ø 22.2     | Moyeu, Arbre Moteur Ø 22.2    | Halter, Motorwelle Ø 22.2 |         |
| 1    | 122463020/1 | 1    | Mozzo, Albero Motore Ø 25       | Hub, Crankshaft Ø 25       | Moyeu, Arbre Moteur Ø 25      | Halter, Motorwelle Ø 25   |         |
| 2    | 81004346/3  | 1    | Coltello Standard               | Blade Standard             | Lame Standard                 | Messer Standard           | 484     |
| 2    | 81004397/0  | 1    | Coltello Alettato               | Blade Winged               | Lame Ailettée                 | Messer Flügel             | 484     |
| 3    | 22160400/0  | 1    | Disco Elastico                  | Elastic Washer             | Rondelle Elastique            | Elastischescheibe         |         |
| 4    | 12523080/0  | 1    | Rosetta                         | Washer                     | Rondelle                      | Scheibe                   |         |
| 5    | 12735698/0  | 1    | Vite                            | Screw                      | Vis                           | Schraube                  |         |
| 6    | 12139100/0  | 1    | Linguetta, Albero Motore Ø 22.2 | Feather, Crankshaft Ø 22.2 | Clavette, Arbre Moteur Ø 22.2 | Keil, Motorwelle Ø 22.2   |         |
| 6    | 12139150/0  | 1    | Linguetta, Albero Motore Ø 25   | Feather, Crankshaft Ø 25   | Clavette, Arbre Moteur Ø 25   | Keil, Motorwelle Ø 25     |         |

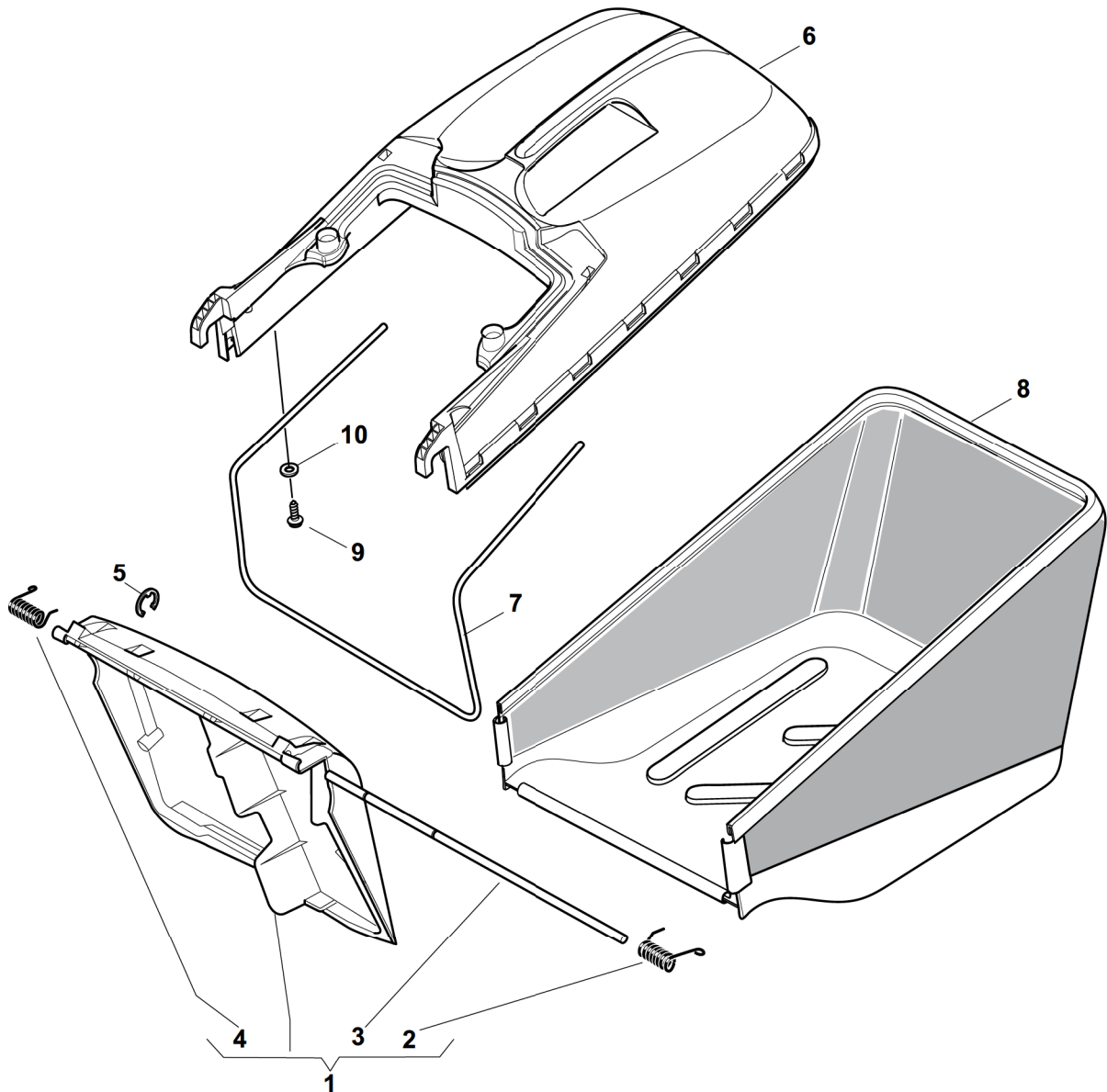
# CA 484 ROLLER



2009

21\_008

1 / 1



| POS. | CODE        | Q.TY | DESCRIZIONE      | DESCRIPTION      | DESCRIPTION       | BESCHREIBUNG   | REMARKS |
|------|-------------|------|------------------|------------------|-------------------|----------------|---------|
| 1    | 381008021/1 | 1    | Parasassi        | Stone-Guard      | Pare-Pierres      | Prallblech     |         |
| 2    | 22450420/1  | 1    | Molla Sx         | L Spring         | Ressort G         | Linke Feder    |         |
| 3    | 22517906/1  | 1    | Perno            | Pin              | Pivot             | Bolzen         |         |
| 4    | 22450410/1  | 1    | Molla Dx         | R Spring         | Ressort D         | Rechte Feder   |         |
| 5    | 12000930/0  | 1    | Anello Elastico  | Snap Ring        | Anneau Ressort    | Sprengring     |         |
| 6    | 22486104/1  | 1    | Sacco, Parte Sup | Grass-Box, Upper | Sac, Partie       | Korb, Oberteil |         |
| 7    | 22608527/0  | 1    | Rinforzo Inf     | Stiffening Lower | Réinforcement Inf | Verstärkung    |         |
| 8    | 81002227/0  | 1    | Sacco, Tela      | Box, Fabric      | Sac, Toile        | Sack, Tuck     |         |
| 9    | 12728680/0  | 2    | Vite             | Screw            | Vis               | Schraube       |         |
| 10   | 12523050/0  | 2    | Rosetta          | Washer           | Rondelle          | Scheibe        |         |