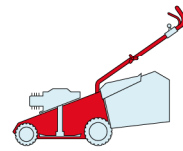
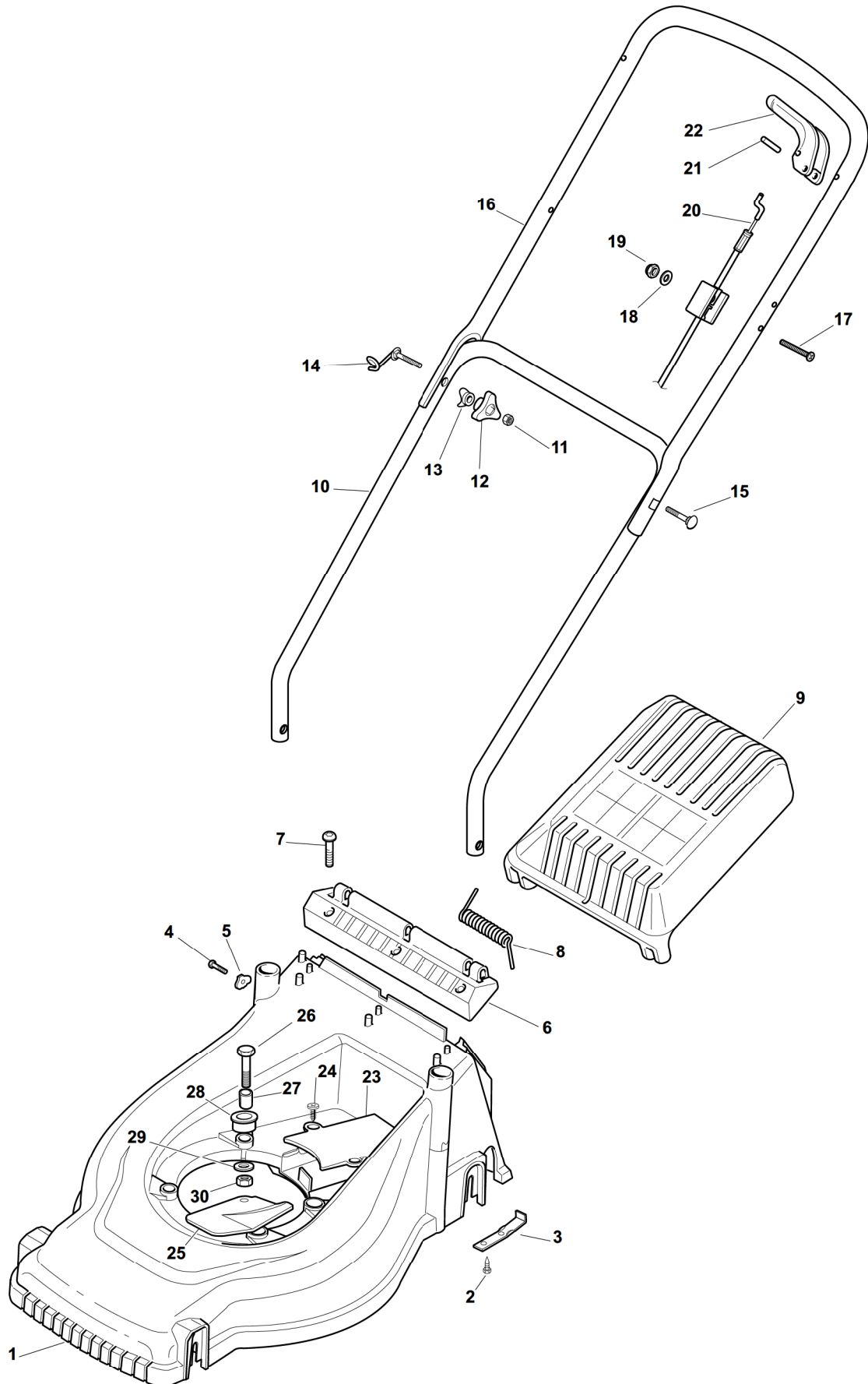


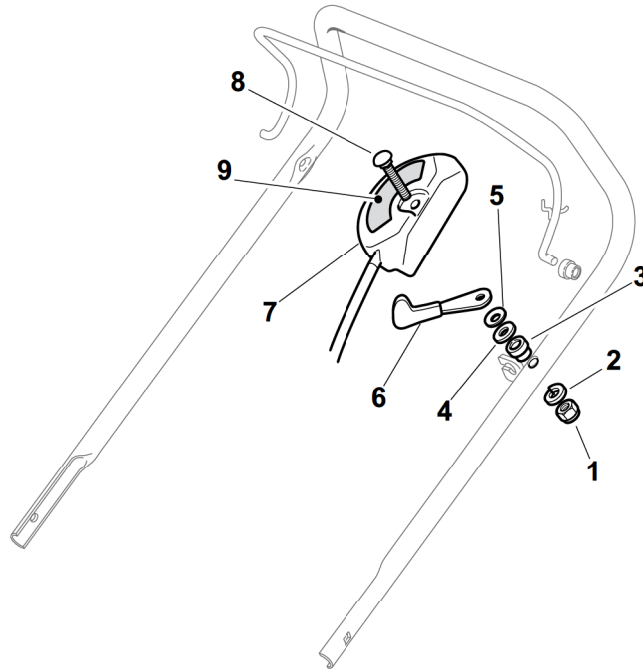
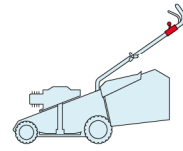
EP 434



2009
1_001
1 / 2

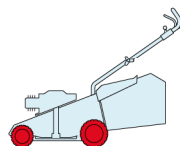


POS.	CODE	Q.TY	DESCRIZIONE	DESCRIPTION	DESCRIPTION	BESCHREIBUNG	REMARKS
1	22066700/0	1	Chassis Rosso	Deck Red	Châssis Rouge	Gehäuse Rot	
2	12728680/0	4	Vite	Screw	Vis	Schraube	
3	22608531/0	2	Rinforzo Posteriore	Rear Stiffening	Réinforcement Arriere	Hinterverstärkung	
4	12728450/0	2	Vite	Screw	Vis	Schraube	
5	22545135/0	2	Piastrina	Plate	Plaquette	Plättchen	
6	22785165/0	1	Supporto	Support	Support	Halter	
7	12728686/0	3	Vite	Screw	Vis	Schraube	
8	22450430/0	1	Molla	Spring	Ressort	Feder	
9	22600079/0	1	Parasassi	Stone-Guard	Pare-Pierres	Prallblech	
10	81006609/0	1	Manico, Parte Inf	Handle, Lower Part	Mancheron, Partie Inf.	Holm, Unterteil	
11	12293200/0	2	Dado	Nut	Ecrou	Mutter	
12	22399900/0	2	Manopolina	Knob	Poignée	Griff	
13	22680006/1	2	Rosetta	Washer	Rondelle	Scheibe	
14	81003801/1	1	Molla Guida	Guide Spring	Ressort De Guide	Feder Führer	
15	12819201/0	1	Vite	Screw	Vis	Schraube	
16	81006577/0	1	Manico, Parte Sup	Handle, Upper Part	Mancheron, Partie Sup.	Holm, Oberteil	
17	12674700/0	1	Vite	Screw	Vis	Schraube	
18	12521330/0	1	Rosetta	Washer	Rondelle	Scheibe	
19	12292100/0	1	Dado	Nut	Ecrou	Mutter	
20	81000613/0	1	Cavo Freno Motore	Cable, Thread Eng. Brake	Cable Frein Moteur	Kabel, Motorbremse	(B&S)
20	81000614/0	1	Cavo Freno Motore	Cable, Thread Eng. Brake	Cable Frein Moteur	Kabel, Motorbremse	(GGP 150 cc)
21	12645710/0	1	Spina	Pin	Goupille	Stift	
22	322321700/1	1	Leva Freno Motore	Lever, Engine Brake	Levier Frein Moteur	Hebel, Motorbremse	
23	22060171/0	1	Carter Cinghia	Protection, Belt	Protection Courroie	Schutz, Riemen	
24	12728686/0	2	Vite	Screw	Vis	Schraube	
25	22484070/1	1	Paracalore	Muffler Guard	Grille De Protection	Schutzabdeckung	
26	12691900/0	3	Vite	Screw	Vis	Schraube	
27	22167842/0	3	Distanziale	Spacer	Entretoise	Distanzring	
28	22040265/0	1	Bussola	Bush	Douille	Buchse	
29	12523070/0	3	Rosetta	Washer	Rondelle	Scheibe	
30	12155000/0	3	Dado	Nut	Ecrou	Mutter	



POS.	CODE	Q.TY	DESCRIZIONE	DESCRIPTION	DESCRIPTION	BESCHREIBUNG	REMARKS
1	12291000/0	1	Dado	Nut	Ecrou	Mutter	
2	12581500/0	1	Grower	Grower	Grower	Federring	
3	22171005/0	1	Distanziale	Spacer	Entretoise	Distanzring	
4	12521360/0	1	Rosetta	Washer	Rondelle	Scheibe	
5	12508100/0	1	Rosetta Elastica	Spring Washer	Rondelle Elastique	Elastische Scheibe	
6	81007279/1	1	Leva, Acceleratore	Lever, Throttle	Levier, Accelérateur	Hebel, Beschleuniger	(B&S 625-675-700 Series - Honda - Ggp 140-160-196 cc)
6	81007220/0	1	Leva, Acceleratore	Lever, Throttle	Levier, Accelérateur	Hebel, Beschleuniger	(B&S 450-500 Series - Ggp 150 cc)
7	81007080/0	1	Cavo Acceleratore	Throttle Cable	Cable, Accelérateur	Gashebel Kabel	
8	12815000/0	1	Vite	Screw	Vis	Schraube	
9	14356703/0	1	Etichetta	Label	Etiquette	Etikette	(B&S)
9	114356905/0	1	Etichetta	Label	Etiquette	Etikette	(B&S 700 series DOV)
9	14356702/0	1	Etichetta	Label	Etiquette	Etikette	(GGP)
9	114364264/0	1	Etichetta	Label	Etiquette	Etikette	AVS (GGP 160-196)
9	14356702/0	1	Etichetta	Label	Etiquette	Etikette	(Honda)
9	114356905/0	1	Etichetta	Label	Etiquette	Etikette	(Honda GCV 160-190 Autochoke)

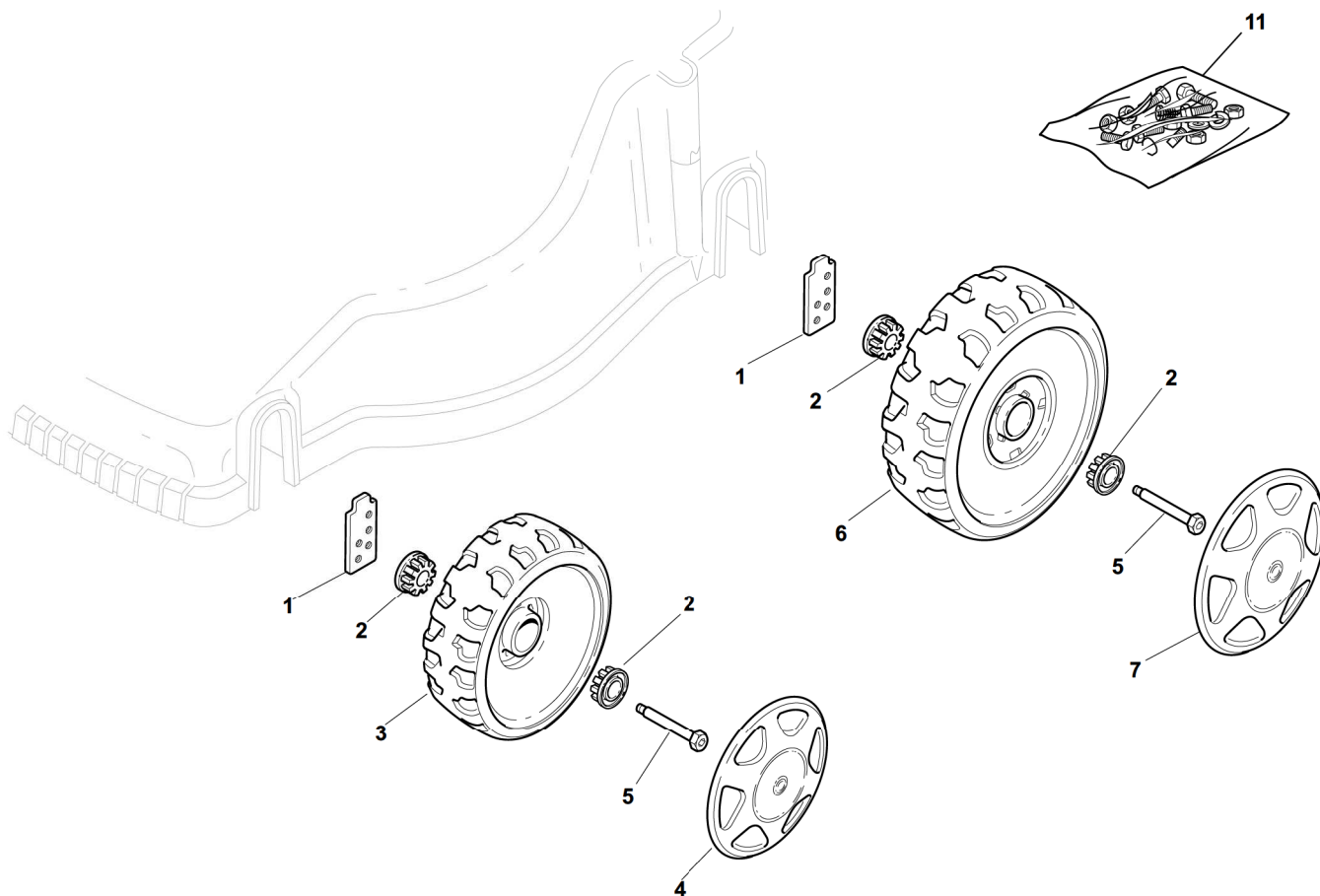
EP 434



2009

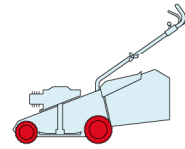
1_003

1 / 1

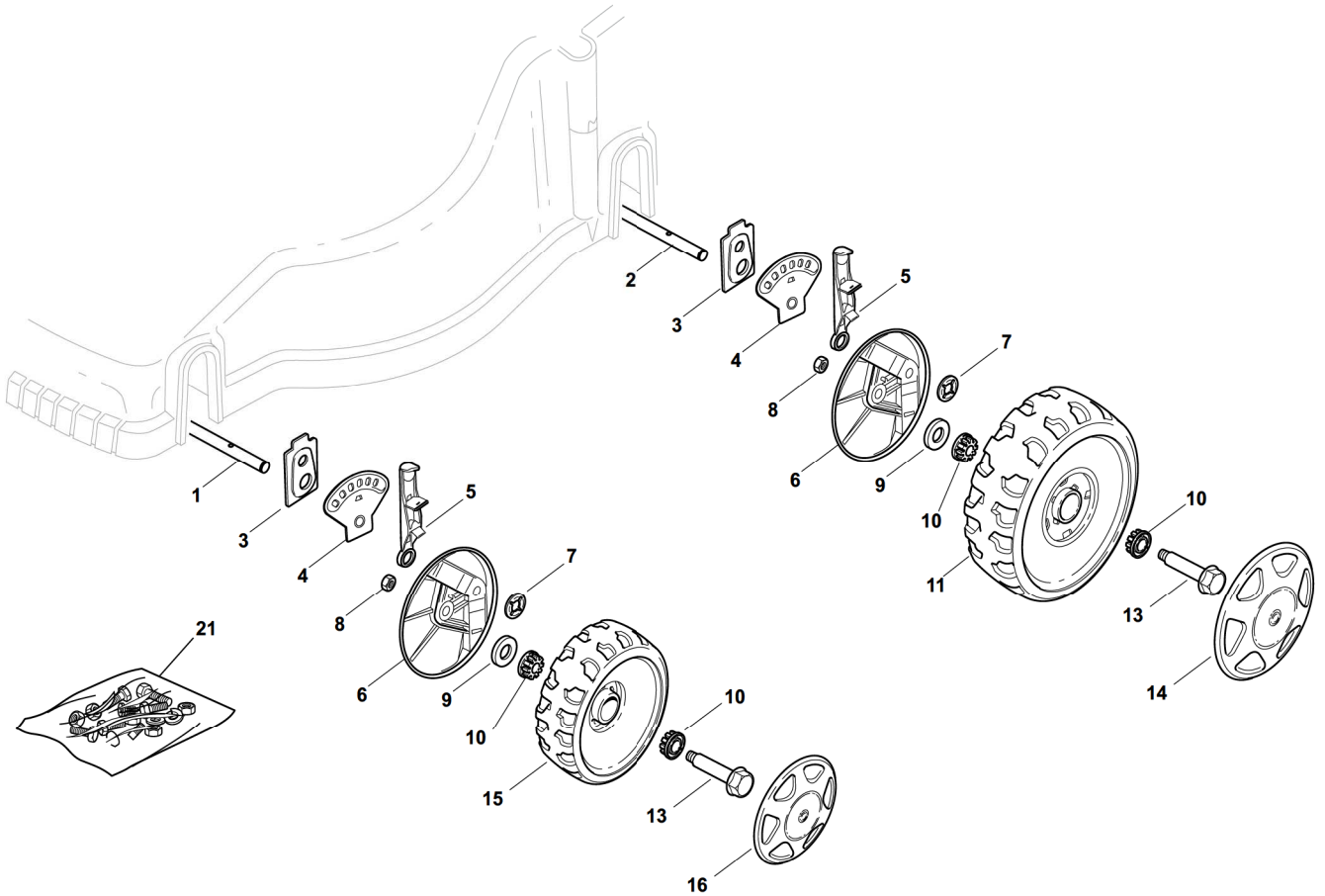


POS.	CODE	Q.TY	DESCRIZIONE	DESCRIPTION	DESCRIPTION	BESCHREIBUNG	REMARKS
1	322785093/1	4	Supporto Ruota	Support, Wheel	Support Roue	Halter, Rad	
2	22034515/1	8	Bussola	Bush	Douille	Buchse	
3	22686091/1	2	Ruota Ø 165	Wheel Ø 165	Roue Ø 165	Rad Ø 165	
4	-	2	Coprimozzo	Hub Cap	Couvre-Moyeu	Radkappe	(See Enclosure 1)
5	22524340/0	4	Perno	Pin	Pivot	Bolzen	
6	22686092/0	2	Ruota Ø 190	Wheel Ø 190	Roue Ø190	Rad Ø 190	
7	-	2	Coprimozzo	Hub Cap	Couvre-Moyeu	Radkappe	(See Enclosure 2)
11	81008679/0	1	Dotazione Viteria	Outfit, Screws	Dotation Visserie	Satz, Schrauben	

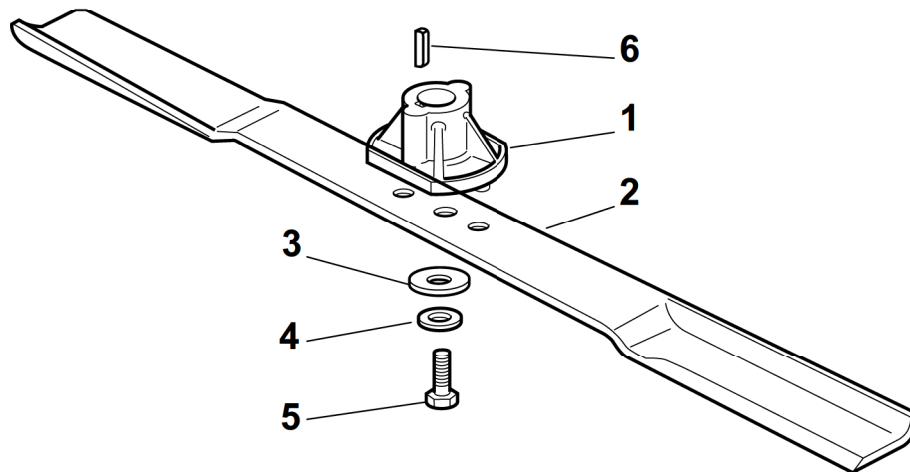
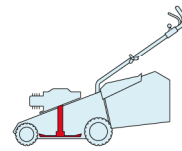
EP 434



2009
1_004
1 / 1

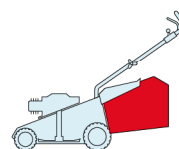


POS.	CODE	Q.TY	DESCRIZIONE	DESCRIPTION	DESCRIPTION	BESCHREIBUNG	REMARKS
1	22033363/0	1	Asse	Axle	Axe	Achse	
2	22033362/0	1	Asse	Axle	Axe	Achse	
3	22785135/0	4	Supporto	Support	Support	Halter	
4	22735555/0	4	Settore Di Regolazione	Sector, Height Adj.	Secteur Reglage H.	Sektor, Höheverstellung	
5	81003306/0	4	Leva Regolazione Altezza	Lever, Height Adj.	Levier Reglage H.	Hebel, Höheverstellung	
6	322600170/0	4	Prot. Ruote	Protection, Wheel	Protection Roue	Schütz, Räder	
7	22020050/0	4	Anello Elastico	Snap Ring	Anneau Ressort	Sprengring	
8	12155000/0	4	Dado	Nut	Ecrou	Mutter	
9	25670011/0	4	Rosetta	Washer	Rondelle	Scheibe	
10	22034508/0	8	Bussola	Bush	Douille	Buchse	
11	22686092/0	2	Ruota Ø 190	Wheel Ø 190	Roue Ø190	Rad Ø 190	
13	22524341/0	4	Perno	Pin	Pivot	Bolzen	
14	-	2	Coprismozzo	Hub Cap	Couvre-Moyeu	Radkappe	(See Enclosure 2)
15	22686091/1	2	Ruota Ø 165	Wheel Ø 165	Roue Ø 165	Rad Ø 165	
16	-	2	Coprismozzo	Hub Cap	Couvre-Moyeu	Radkappe	(See Enclosure 1)
21	81008679/0	1	Dotazione Viteria	Outfit, Screws	Dotation Visserie	Satz, Schrauben	



POS.	CODE	Q.TY	DESCRIZIONE	DESCRIPTION	DESCRIPTION	BESCHREIBUNG	REMARKS
1	22463012/2	1	Mozzo	Hub	Moyeu	Halter	
2	81004341/3	1	Coltello Standard	Blade Standard	Lame Standard	Messer Standard	
3	22160400/0	1	Disco Elastico	Elastic Washer	Rondelle Elastique	Elastischescheibe	
4	12523080/0	1	Rosetta	Washer	Rondelle	Scheibe	
5	12735698/0	1	Vite	Screw	Vis	Schraube	
6	12139100/0	1	Linguetta	Feather	Clavette	Keil	

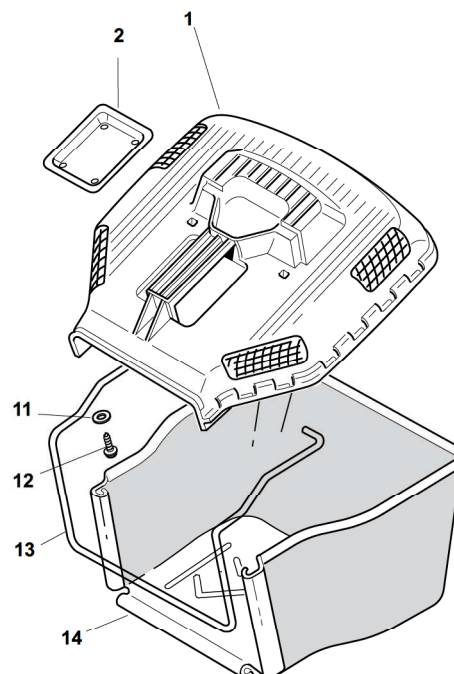
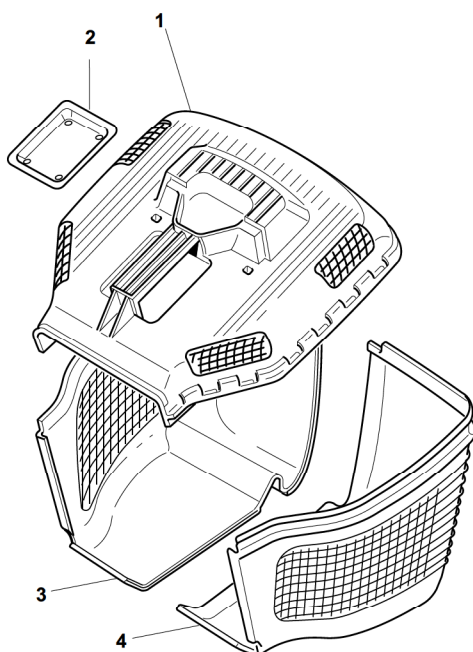
EP 434



2009

1_006

1 / 1



POS.	CODE	Q.TY	DESCRIZIONE	DESCRIPTION	DESCRIPTION	BESCHREIBUNG	REMARKS
1	22486115/0	1	Parte Sup.Sacco	Grassbox Upper Part	Sac, Partie Superieure	Korb Oberteil	
2	22486098/0	1	Piastrina	Plate	Plaquette	Plättchen	
3	22486120/0	1	Parte Infer. Sacco Dx	Grassbox Lower Part(R)	Sac, Partie Inferieure (D)	Korb Unterteil (R)	
4	22486119/0	1	Parte Infer. Sacco Sx	Grassbox Lower Part (L)	Sac, Partie Inferieure (G)	Korb Unterteil (L)	
11	12521460/0	2	Rosetta	Washer	Rondelle	Scheibe	
12	12728300/0	2	Vite	Screw	Vis	Schraube	
13	22608518/0	1	Rinforzo Inf	Stiffening Lower	Réinforcement Inf	Verstärkung Untere	
14	81002239/0	1	Sacco, Tela	Box, Fabric	Sac, Toile	Sack, Tuck	