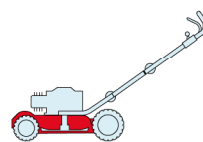
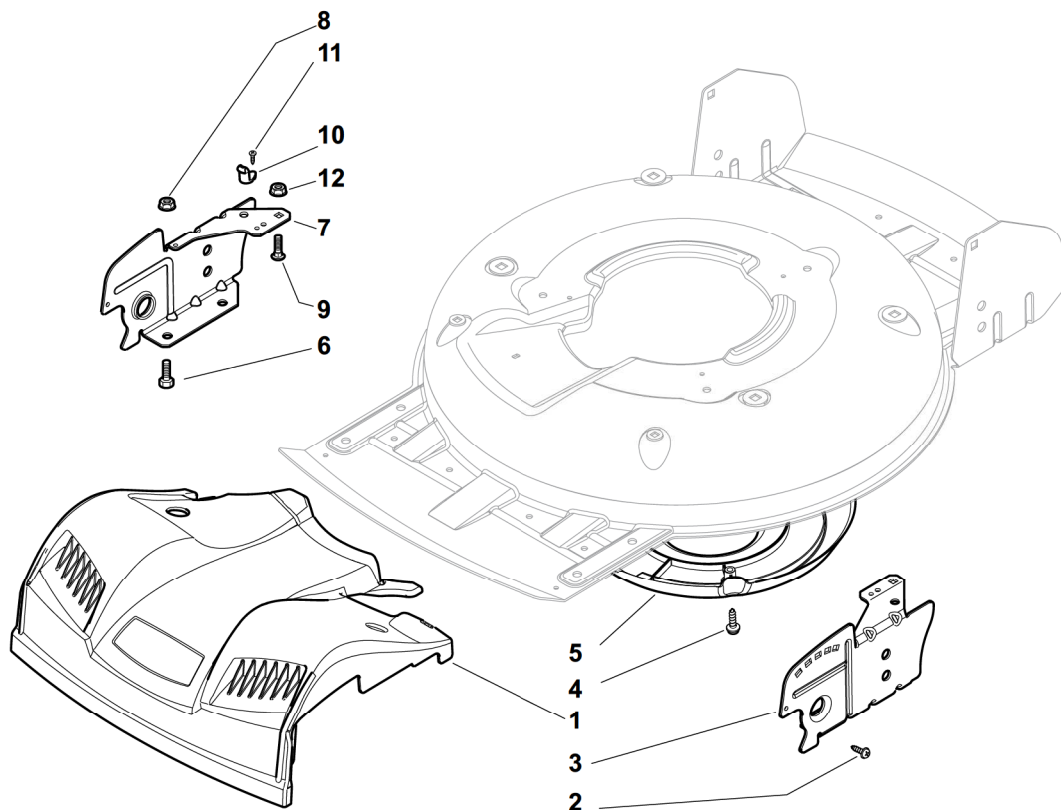


MCS 504

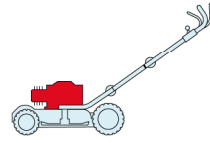


2009
72_001
1 / 1



POS.	CODE	Q.TY	DESCRIZIONE	DESCRIPTION	DESCRIPTION	BESCHREIBUNG	REMARKS
1	322226097/1	1	Mascherina, Giallo	Mask, Yellow	Mesque, Jaune	Maske, Gelb	
1	322226098/1	1	Mascherina, Grigio	Mask, Grey	Mesque, Gris	Maske, Grau	
2	12728523/0	2	Vite	Screw	Vis	Schraube	
3	22778421/0	1	Staffa Sx	Bracket, L	Bride G	Pratze, Linke	
4	12728530/0	3	Vite	Screw	Vis	Schraube	
5	22060220/0	1	Carter	Protection	Protection	Schutz	
6	12792611/0	4	Vite	Screw	Vis	Schraube	
12	12292102/0	2	Dado	Nut	Ecrou	Mutter	
7	22778419/0	1	Staffa Dx	Bracket, R	Bride D	Pratze, Rechte	
8	12293201/0	4	Dado	Nut	Ecrou	Mutter	
9	12815200/0	2	Vite	Screw	Vis	Schraube	
10	22020400/0	2	Aggancio	Fairlead	Support	Halter	
11	12728523/0	2	Vite	Screw	Vis	Schraube	

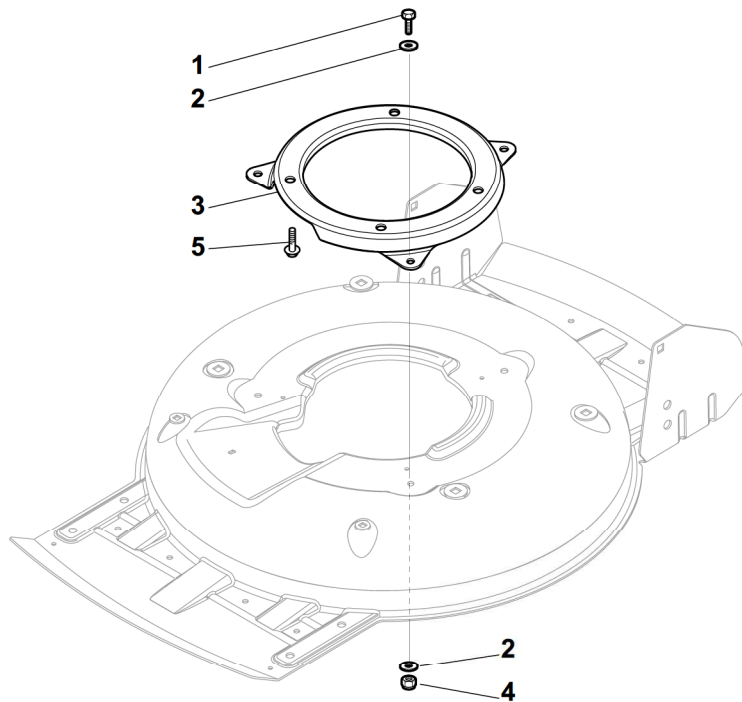
MCS 504



2009

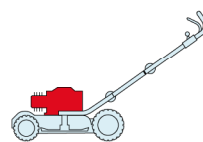
72_002

1 / 1

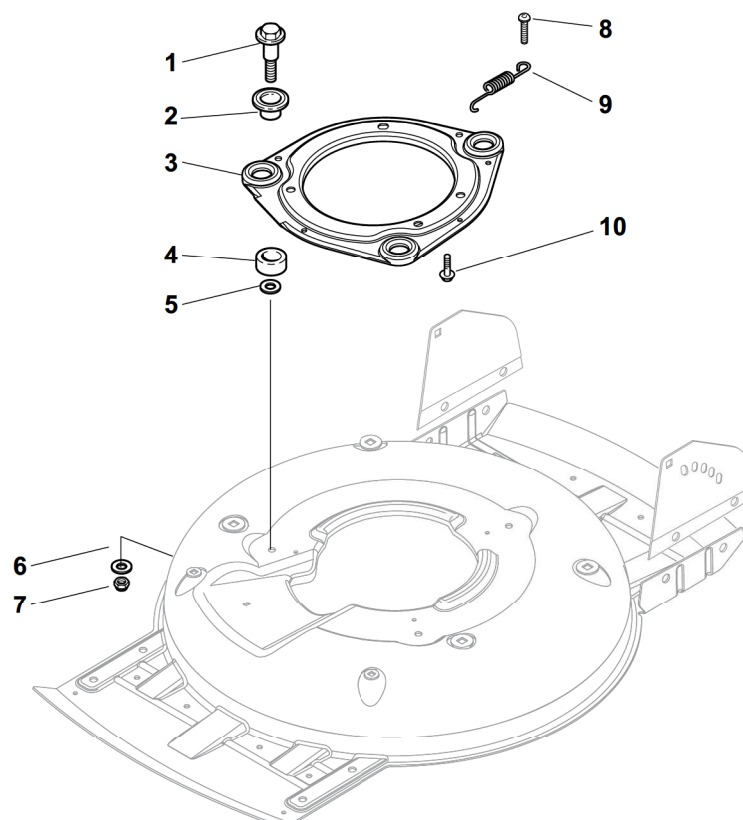


POS.	CODE	Q.TY	DESCRIZIONE	DESCRIPTION	DESCRIPTION	BESCHREIBUNG	REMARKS
1	12792611/0	3	Vite	Screw	Vis	Schraube	
2	12523060/0	6	Rosetta	Washer	Rondelle	Scheibe	
3	322207219/1	1	Flangia	Flange	Bride	Flansch	
4	12293201/0	3	Dado	Nut	Ecrou	Mutter	
5	112735108/1	3	Vite	Screw	Vis	Schraube	

MCS 504

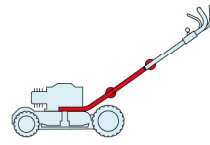


2009
72_003
1 / 1



POS.	CODE	Q.TY	DESCRIZIONE	DESCRIPTION	DESCRIPTION	BESCHREIBUNG	REMARKS
1	22524329/0	3	Perno	Pin	Pivot	Bolzen	
2	22672201/0	3	Rosetta	Washer	Rondelle	Scheibe	
3	81207222/1	1	Flangia, Nero	Flange, Black	Bride, Noir	Flansch, Schwarz	
3	81207221/1	1	Flangia, Giallo	Flange, Yellow	Bride, Jaune	Flansch, Gelb	
4	22250012/0	3	Gommino	Grommet	Caoutchouc	Gummi	
5	22672201/0	3	Rosetta	Washer	Rondelle	Scheibe	
6	22671651/0	3	Rosetta	Washer	Rondelle	Scheibe	
7	12155000/0	3	Dado	Nut	Ecrou	Mutter	
8	12791400/0	1	Vite	Screw	Vis	Schraube	
9	22450444/0	1	Molla	Spring	Ressort	Feder	
10	112735108/1	3	Vite	Screw	Vis	Schraube	

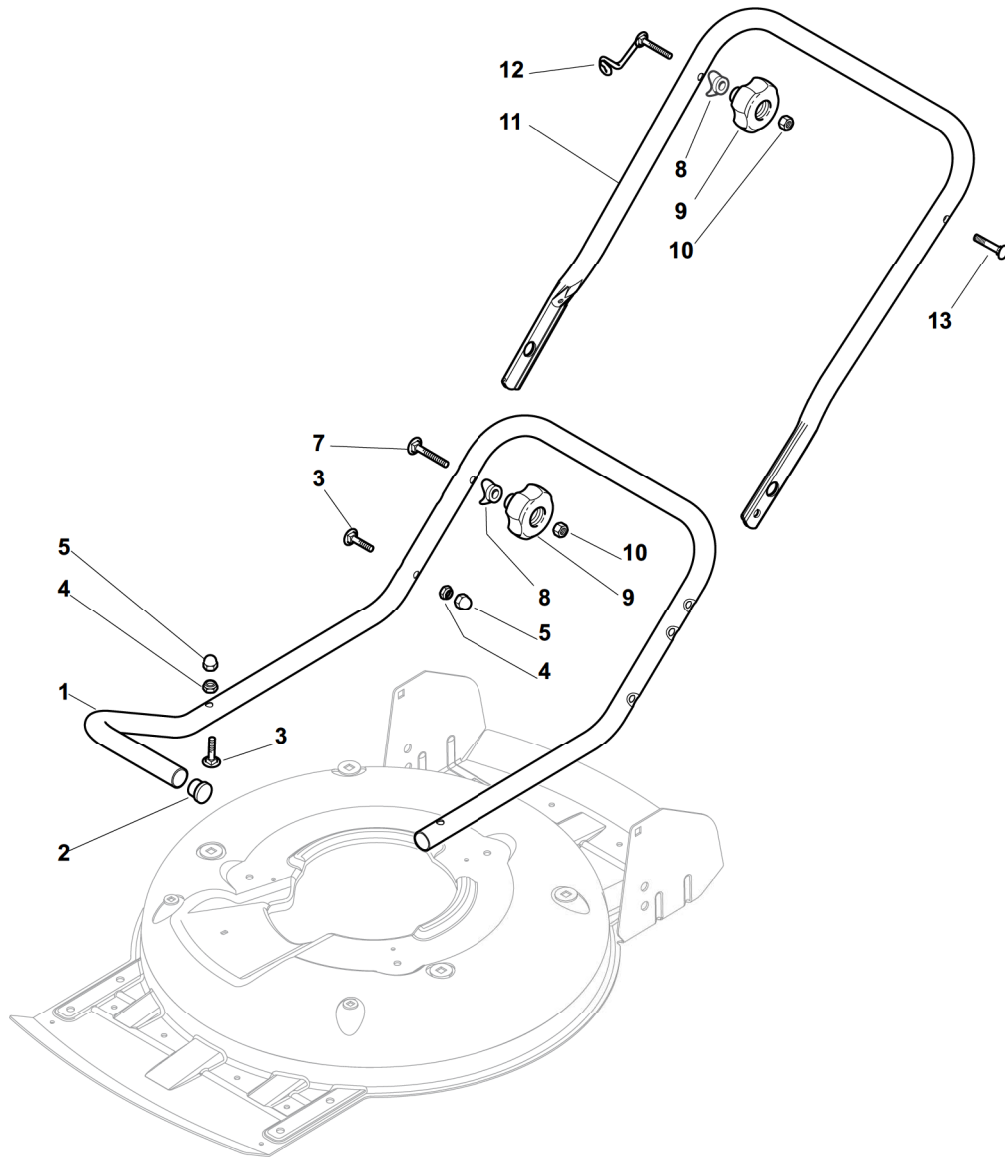
MCS 504



2009

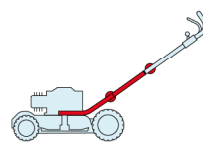
72_004

1 / 1

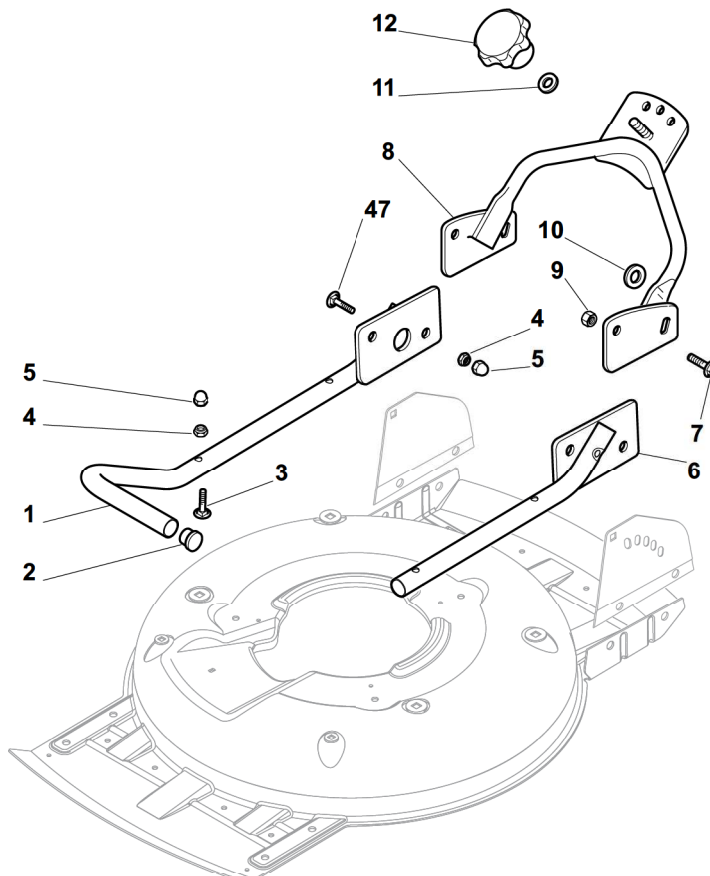


POS.	CODE	Q.TY	DESCRIZIONE	DESCRIPTION	DESCRIPTION	BESCHREIBUNG	REMARKS
1	81006667/0	1	Manico, Parte Inf	Handle, Lower Part	Mancheron, Partie Inférieure	Holm, Unterteil	
2	18566110/0	2	Puntale	Cap	Bouchon	Gummistopfen	
3	12818900/0	4	Vite	Screw	Vis	Schraube	
4	12155000/0	4	Dado	Nut	Ecrou	Mutter	
5	18203854/0	4	Cappuccio	Protection	Capuchon	Stecker	
6	12818900/0	4	Vite	Screw	Vis	Schraube	
7	12819201/0	2	Vite	Screw	Vis	Schraube	
8	22680006/1	4	Rosetta	Washer	Rondelle	Scheibe	
9	322399804/1	4	Manopolina	Knob	Poignée	Griff	
10	12293200/0	4	Dado	Nut	Ecrou	Mutter	
11	81006668/0	1	Manico, Parte Intermedia	Handle, Middle Part	Mancheron	Holm	
12	81003801/1	1	Molla Guida	Spring	Ressort	Feder	
13	12819201/0	1	Vite	Screw	Vis	Schraube	

MCS 504

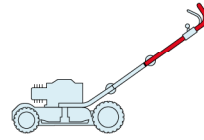


2009
72_005
1 / 1



POS.	CODE	Q.TY	DESCRIZIONE	DESCRIPTION	DESCRIPTION	BESCHREIBUNG	REMARKS
1	81006373/0	1	Manico, Parte Inf Dx	Right Handle, Lower Part	Mancheron, Partie Inferieure	Holm, Unterteil	
2	18566114/0	4	Puntale	Cap	Bouchon	Gummistopfen	
3	12819100/0	6	Vite	Screw	Vis	Schraube	
4	12155000/0	6	Dado	Nut	Ecrou	Mutter	
5	18203854/0	6	Cappuccio	Protection	Capuchon	Stecker	
6	81006375/0	1	Manico, Parte Inf Sx	Left Handle, Lower Part	Mancheron, Partie Inferieure	Holm, Unterteil	
7	12793102/0	4	Vite	Screw	Vis	Schraube	
8	81006367/0	1	Manico, Parte Intermedia	Handle, Middle Part	Mancheron	Holm	
9	12155000/0	4	Dado	Nut	Ecrou	Mutter	
10	12523060/0	2	Rosetta	Washer	Rondelle	Scheibe	
11	12523080/0	1	Rosetta	Washer	Rondelle	Scheibe	
12	22399813/0	1	Manopolina	Knob	Poignée	Griff	

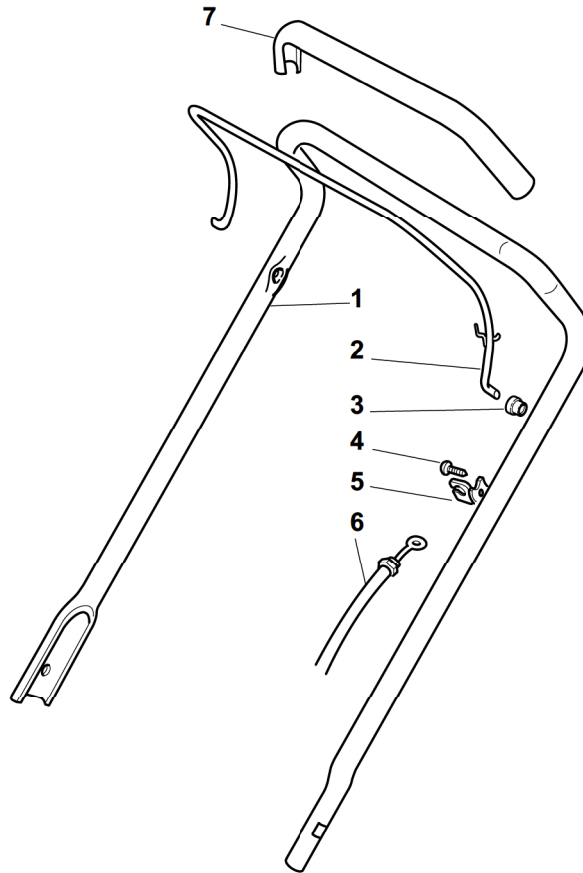
MCS 504



2009

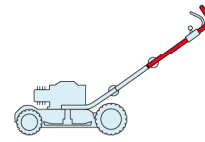
72_006

1 / 1

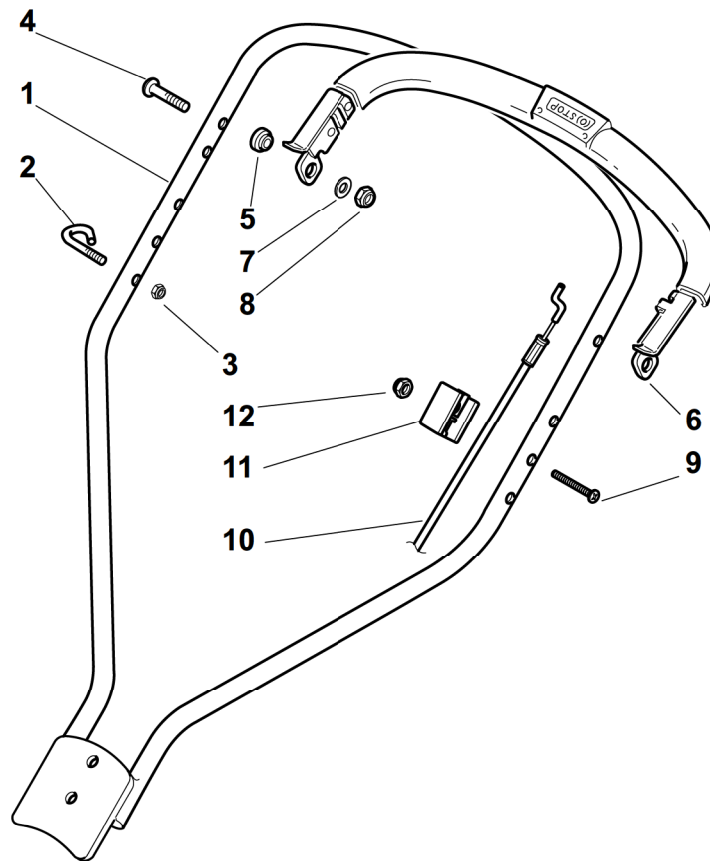


POS.	CODE	Q.TY	DESCRIZIONE	DESCRIPTION	DESCRIPTION	BESCHREIBUNG	REMARKS
1	81007018/1	1	Manico, Parte Sup	Handle, Upper Part	Mancheron, Partie Supérieure	Holm, Oberteil	
2	81003291/3	1	Leva Freno Motore	Lever, Engine Brake	Levier Frein Moteur	Hebel, Motorbremse	
3	22041966/0	2	Bussola	Bush	Douille	Buchse	
4	12728518/0	1	Vite	Screw	Vis	Schraube	
5	22806612/0	1	Supporto	Support	Support	Halter	
6	81000631/0	1	Cavo Freno Motore	Cable, Thread Engine Brake	Cable Frein Moteur	Kabel, Motorbremse	(B&S 450-500 Series)
6	81000642/1	1	Cavo Freno Motore	Cable, Thread Engine Brake	Cable Frein Moteur	Kabel, Motorbremse	(B&S 625-675 Series)
6	81000634/0	1	Cavo Freno Motore	Cable, Thread Engine Brake	Cable Frein Moteur	Kabel, Motorbremse	(Ggp 140cc)
6	81000615/0	1	Cavo Freno Motore	Cable, Thread Engine Brake	Cable Frein Moteur	Kabel, Motorbremse	(Ggp 150cc)
6	81000634/0	1	Cavo Freno Motore	Cable, Thread Engine Brake	Cable Frein Moteur	Kabel, Motorbremse	(Ggp 160cc)
6	81000634/0	1	Cavo Freno Motore	Cable, Thread Engine Brake	Cable Frein Moteur	Kabel, Motorbremse	(Ggp 196cc)
6	81000631/0	1	Cavo Freno Motore	Cable, Thread Engine Brake	Cable Frein Moteur	Kabel, Motorbremse	(Honda Gcv 135-160-190)
7	22291050/0	1	Impugnatura Manico Nera	Handgrip Black	Poignée Noire	Handgriff Schwarz	

MCS 504

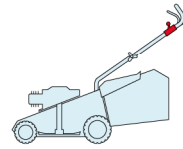


2009
72_007
1 / 1



POS.	CODE	Q.TY	DESCRIZIONE	DESCRIPTION	DESCRIPTION	BESCHREIBUNG	REMARKS
1	81006363/1	1	Manico, Parte Sup	Handle, Upper Part	Mancheron, Partie Supérieure	Holm, Oberteil	
2	22430314/0	1	Molla Guida	Spring	Ressort	Feder	
3	12154510/0	1	Dado	Nut	Ecrou	Mutter	
4	12727784/0	2	Vite	Screw	Vis	Schraube	
5	22671660/1	2	Rosetta	Washer	Rondelle	Scheibe	
6	81003318/1	1	Leva Freno Motore	Lever, Engine Brake	Levier Frein Moteur	Hebel, Motorbremse	
7	12523040/0	2	Rosetta	Washer	Rondelle	Scheibe	
8	12154510/0	2	Dado	Nut	Ecrou	Mutter	
9	12727783/0	1	Vite	Screw	Vis	Schraube	
10	181000769/1	1	Cavo Freno Motore	Cable, Thread Engine Brake	Cable Frein Moteur	Kabel, Motorbremse	(B&S 450-500 Series)
10	181000618/0	1	Cavo Freno Motore	Cable, Thread Engine Brake	Cable Frein Moteur	Kabel, Motorbremse	(B&S 625-675 Series)
10	181000618/0	1	Cavo Freno Motore	Cable, Thread Engine Brake	Cable Frein Moteur	Kabel, Motorbremse	(Ggp 140cc)
10	81000730/0	1	Cavo Freno Motore	Cable, Thread Engine Brake	Cable Frein Moteur	Kabel, Motorbremse	(Ggp 150cc)
10	181000618/0	1	Cavo Freno Motore	Cable, Thread Engine Brake	Cable Frein Moteur	Kabel, Motorbremse	(Ggp 160cc)
10	181000618/0	1	Cavo Freno Motore	Cable, Thread Engine Brake	Cable Frein Moteur	Kabel, Motorbremse	(Ggp 196cc)
10	81000733/0	1	Cavo Freno Motore	Cable, Thread Engine Brake	Cable Frein Moteur	Kabel, Motorbremse	(Honda Gcv 135-160-190)
11	22551640/0	1	Piastrina	Plate	Plaquette	Plättchen	
12	12154510/0	1	Dado	Nut	Ecrou	Mutter	

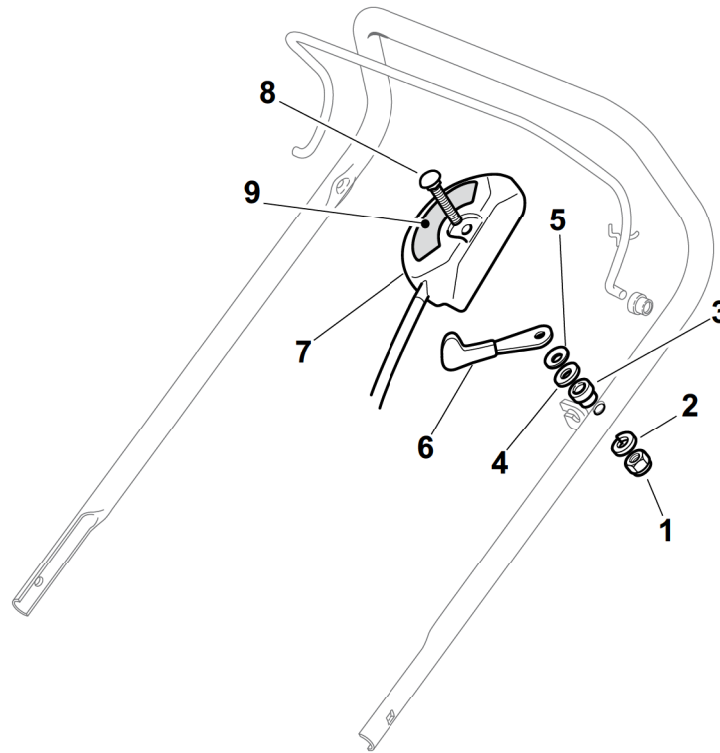
MCS 504



2009

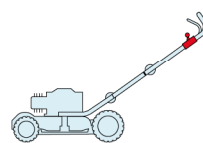
72_008

1 / 1

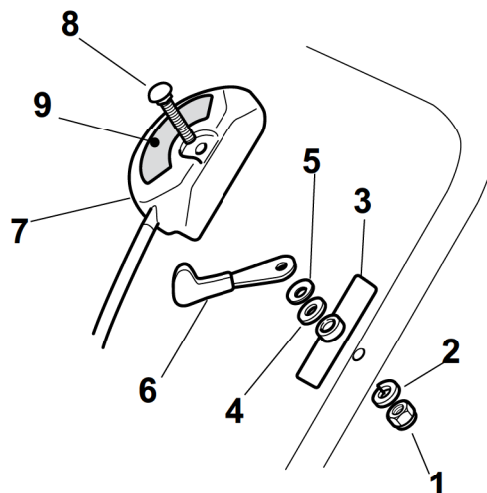


POS.	CODE	Q.TY	DESCRIZIONE	DESCRIPTION	DESCRIPTION	BESCHREIBUNG	REMARKS
1	12291000/0	1	Dado	Nut	Ecrou	Mutter	
2	12581500/0	1	Grower	Grower	Grower	Federring	
3	22171005/0	1	Distanziale	Spacer	Entretoise	Distanzring	
4	12521360/0	1	Rosetta	Washer	Rondelle	Scheibe	
5	12508100/0	1	Rosetta Elastica	Spring Washer	Rondelle Elastique	Elastische Scheibe	
6	81007279/1	1	Leva, Acceleratore	Lever, Throttle	Levier, Accelérateur	Hebel, Beschleuniger	(B&S 625-675-700 Series - Honda - Ggp 140-160-196 cc)
6	81007220/0	1	Leva, Acceleratore	Lever, Throttle	Levier, Accelérateur	Hebel, Beschleuniger	(B&S 450-500 Series - Ggp 150 cc)
7	81007080/0	1	Cavo Acceleratore	Throttle Cable	Cable, Accelérateur	Gashebel Kabel	
8	12815000/0	1	Vite	Screw	Vis	Schraube	
9	14356703/0	1	Etichetta	Label	Etiquette	Etikette	(B&S)
9	114356905/0	1	Etichetta	Label	Etiquette	Etikette	(B&S 700 series DOV)
9	14356702/0	1	Etichetta	Label	Etiquette	Etikette	(GGP)
9	114364264/0	1	Etichetta	Label	Etiquette	Etikette	AVS (GGP 160-196)
9	14356702/0	1	Etichetta	Label	Etiquette	Etikette	(Honda)
9	114356905/0	1	Etichetta	Label	Etiquette	Etikette	(Honda GCV 160-190 Autochoke)

MCS 504

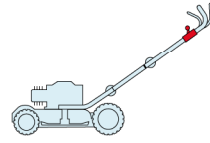


2009
72_009
1 / 1



POS.	CODE	Q.TY	DESCRIZIONE	DESCRIPTION	DESCRIPTION	BESCHREIBUNG	REMARKS
1	12291000/0	1	Dado	Nut	Ecrou	Mutter	
2	12581500/0	1	Grower	Grower	Grower	Federring	
3	22171006/0	1	Distanziale	Spacer	Entretoise	Distanzring	
4	12521360/0	1	Rosetta	Washer	Rondelle	Scheibe	
5	12508100/0	1	Rosetta Elastica	Spring Washer	Rondelle Elastique	Elastische Scheibe	
6	81007279/1	1	Leva, Acceleratore	Lever, Throttle	Levier, Accelérateur	Hebel, Beshleuniger	(B&S 625-675-700 Series - Honda - Ggp 140-160-196 cc)
6	81007220/0	1	Leva, Acceleratore	Lever, Throttle	Levier, Accelérateur	Hebel, Beshleuniger	(B&S 450-500 Series - Ggp 150 cc)
7	81007080/0	1	Cavo Acceleratore	Throttle Cable	Cable, Accelérateur	Gashebel Kabel	
8	12815030/0	1	Vite	Screw	Vis	Schraube	
9	14356703/0	1	Etichetta	Label	Etiquette	Etikette	(B&S)
9	114356905/0	1	Etichetta	Label	Etiquette	Etikette	(B&S 700 series DOV)
9	14356702/0	1	Etichetta	Label	Etiquette	Etikette	(GGP)
9	114364264/0	1	Etichetta	Label	Etiquette	Etikette	AVS (GGP 160-196)
9	14356702/0	1	Etichetta	Label	Etiquette	Etikette	(Honda)
9	114356905/0	1	Etichetta	Label	Etiquette	Etikette	(Honda GCV 160-190 Autochoke)

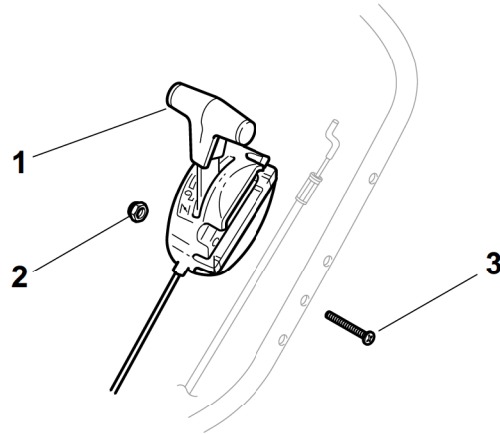
MCS 504



2009

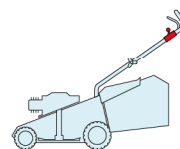
72_010

1 / 1

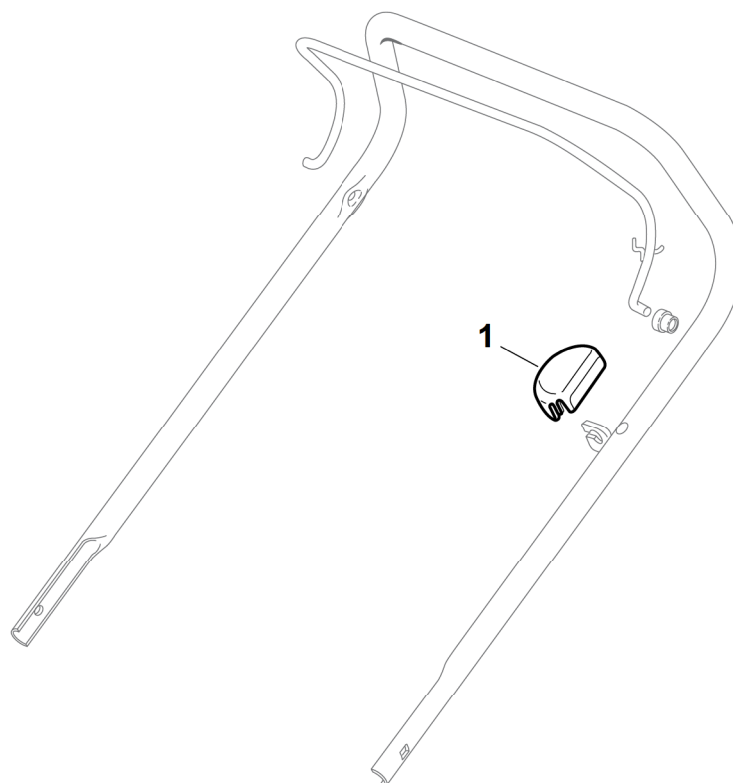


POS.	CODE	Q.TY	DESCRIZIONE	DESCRIPTION	DESCRIPTION	BESCHREIBUNG	REMARKS
1	81007130/0	1	Cavo Acceleratore	Throttle Cable	Cable, Accelérateur	Gashebel Kabel	(Honda)
2	12154510/0	1	Dado	Nut	Ecrou	Mutter	
3	12727786/0	1	Vite	Screw	Vis	Schraube	

MCS 504

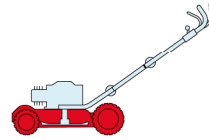


2009
72_011
1 / 1



POS.	CODE	Q.TY	DESCRIZIONE	DESCRIPTION	DESCRIPTION	BESCHREIBUNG	REMARKS
1	22601000/0	1	Protezione	Protection	Protection	Schutz	

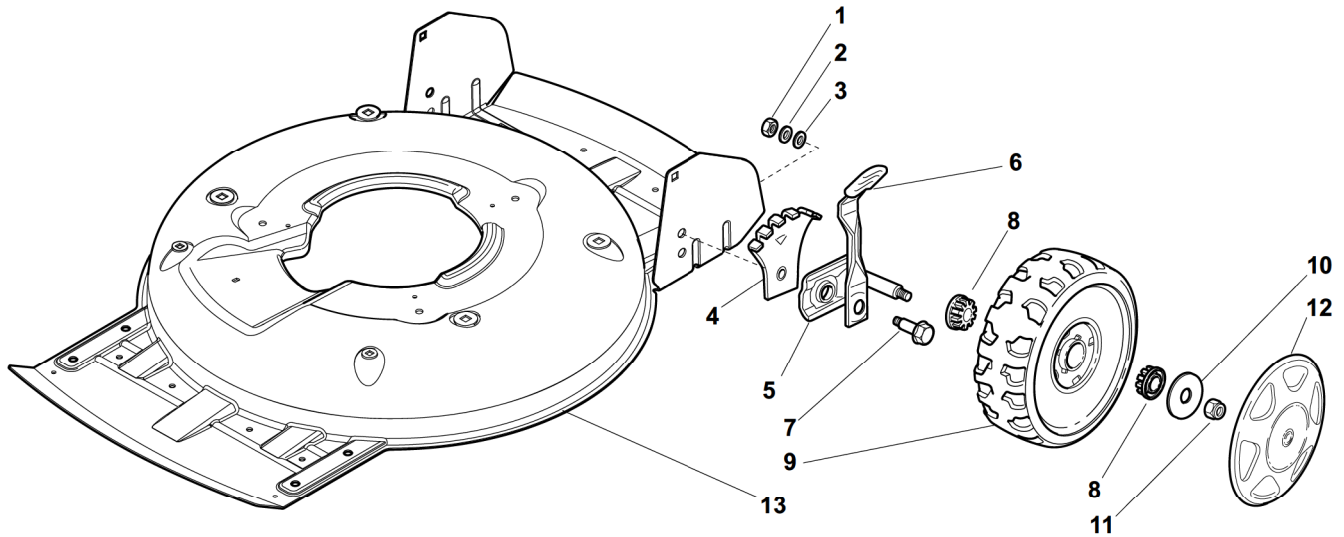
MCS 504



2009

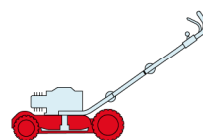
72_012

1 / 1

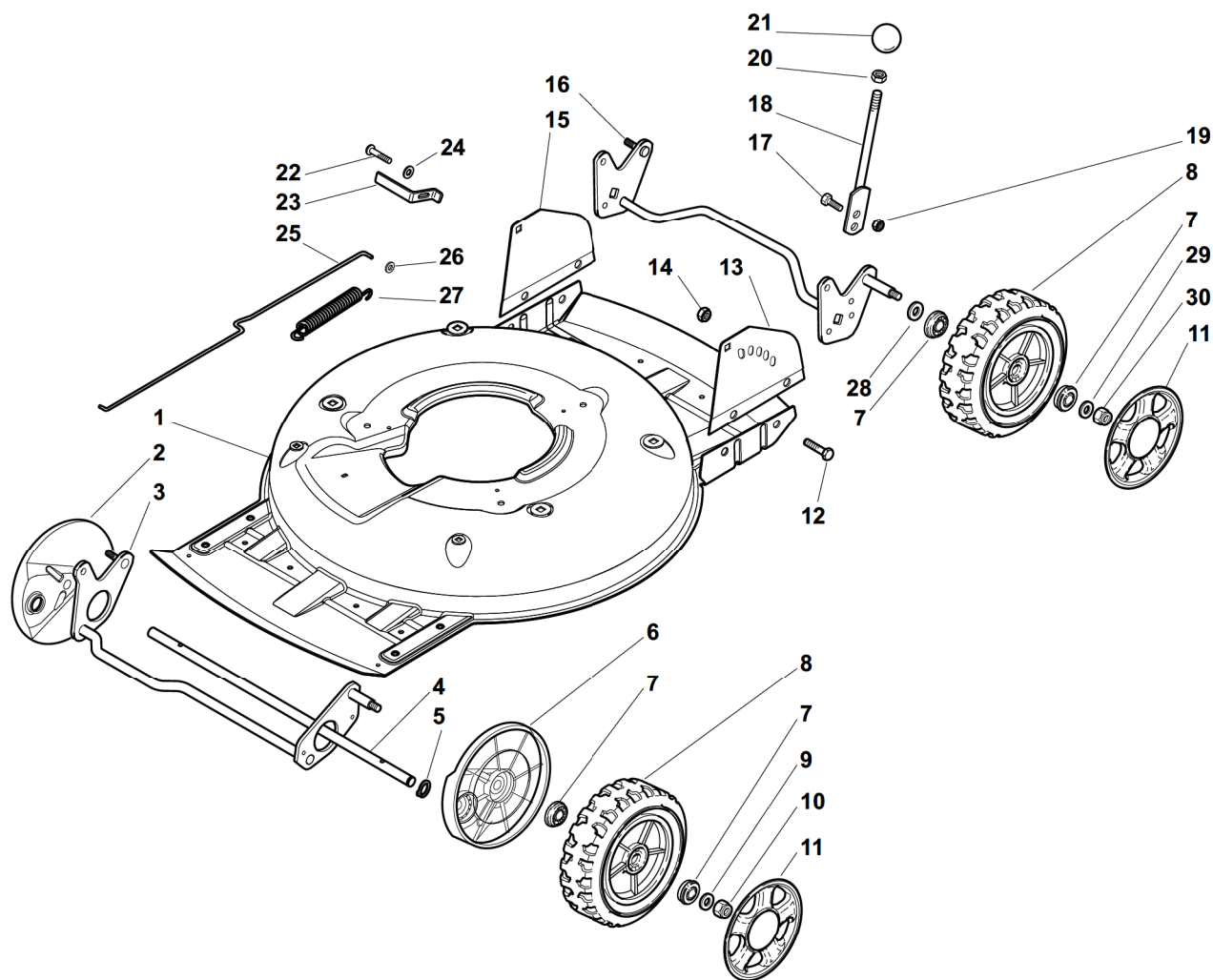


POS.	CODE	Q.TY	DESCRIZIONE	DESCRIPTION	DESCRIPTION	BESCHREIBUNG	REMARKS
1	12293200/0	4	Dado	Nut	Ecrou	Mutter	
2	12583500/0	4	Grower	Grower	Grower	Federring	
3	12523070/0	4	Rosetta	Washer	Rondelle	Scheibe	
4	22735547/0	4	Settore Regolazione Altezza	Sector, Height Adjustment	Secteur Reglage Hauteur	Sektor, Höheverstellung	
5	81005082/0	4	Supporto Ruota	Support, Wheel	Support Roue	Halter, Rad	
6	81003286/0	4	Leva Regolazione Altezza	Lever, Height Adjustment	Levier, Reglage Hauteur	Hebel, Höheverstellung	
7	22519811/0	4	Perno	Pin	Pivot	Bolzen	
8	22034508/0	8	Bussola	Bush	Douille	Buchse	
9	22686092/0	2	Ruota Ø 190	Wheel Ø 190	Roue Ø 190	Rad Ø 190	
10	12523060/0	4	Rosetta	Washer	Rondelle	Scheibe	
11	12155000/0	4	Dado	Nut	Ecrou	Mutter	
12	-	4	Coprimozzo	Hub Cap	Couvre Moyeu	Radkappe	(See Enclosure 2)
13	81002907/1	1	Chassis Giallo	Deck Yellow	Châssis Jaune	Gehäuse Gelb	

MCS 504



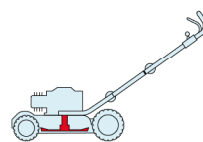
2009
72_013
1 / 2



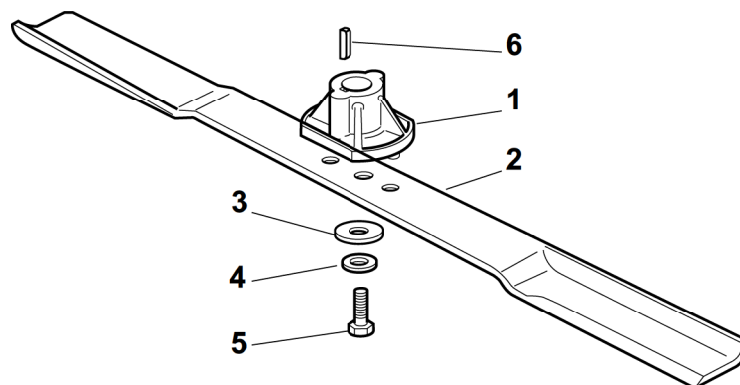
POS.	CODE	Q.TY	DESCRIZIONE	DESCRIPTION	DESCRIPTION	BESCHREIBUNG	REMARKS
1	81002909/1	1	Chassis Grigio	Deck Grey	Châssis Gris	Gehäuse Grau	
1	322064691/0	1	Chassis INOX	Deck INOX	Châssis INOX	Gehäuse INOX	
2	22600093/0	1	Prot. Ruote Dx	Protection, R Wheel	Protection Roue D	Schütz, Rechtes	
3	81002849/0	1	Asse Ruote Anteriore	Axle, Front Wheels	Axe Roues Avant	Achse, Vorderrad	
4	22033397/0	1	Asse Ruote Anteriore	Axle, Front Wheels	Axe Roues Avant	Achse, Vorderrad	
5	22020050/0	2	Disco Elastico	Elastic Washer	Rondelle Elastique	Elastischescheibe	
6	22600092/0	1	Prot. Ruote Sx	Protection, L Wheel	Protection Roue G	Schütz, Linkes	
7	22122200/0	8	Cuscinetto	Bearing	Coussinet	Lager	
8	81007343/0	4	Ruota Ø 210	Wheel Ø 210	Roue Ø 210	Rad Ø 210	
9	12369500/0	2	Disco Elastico	Elastic Washer	Rondelle Elastique	Elastischescheibe	
10	12155000/0	2	Dado	Nut	Ecrou	Mutter	
11	-	4	Coprimozzo	Hub Cap	Couvre-Moyeu	Radkappe	(See Enclosure 2)
12	12791011/0	4	Vite	Screw	Vis	Schraube	
13	81545105/0	1	Piastrina Sinistra	Left Plate	Plaquette G	Plättchen L	
13	322545169/0	1	Piastrina Sinistra, INOX	Left Plate, INOX	Plaquette Gauche, INOX	Plättchen Linke, INOX	
14	12154510/0	4	Dado	Nut	Ecrou	Mutter	
15	81545104/0	1	Piastrina Destra	Right Plate	Plaquette D	Plättchen R	

POS.	CODE	Q.TY	DESCRIZIONE	DESCRIPTION	DESCRIPTION	BESCHREIBUNG	REMARKS
15	322545167/0	1	Piastrina Destra, INOX	Right Plate, INOX	Plaquette Droite, INOX	Plättchen Rechte, INOX	
16	81002851/0	1	Asse Ruote Posteriore	Axle, Rear Wheels	Axe Roues Arriere	Achse, Hinterrad	
17	12789000/0	2	Vite	Screw	Vis	Schraube	
18	81003323/0	1	Leva Regolazione Altezza	Lever, Height Adjustment	Levier Reglage Hauteur	Hebel, Höneverstellung	
19	12154330/0	2	Dado	Nut	Ecrou	Mutter	
20	12293200/0	1	Dado	Nut	Ecrou	Mutter	
21	22399812/0	1	Manopolina	Knob	Poignée	Griff	
22	12735661/0	2	Vite	Screw	Vis	Schraube	
23	22551529/0	2	Piastrina	Plate	Plaquette	Plättchen	
24	12521330/0	2	Rosetta	Washer	Rondelle	Scheibe	
25	22033329/0	1	Asta Comando Regol.	Rod, Height Adjustment Control	Tige Commande Reglage Hauteur	Stange, Höneverstellung	
26	12604899/0	2	Fissatore A Corona	Crown Fastener	Fixateur A Couronne	Kronescheibe	
27	22446184/0	1	Molla	Spring	Ressort	Feder	
28	12530150/0	2	Rosetta	Washer	Rondelle	Scheibe	
29	12521350/0	2	Rosetta	Washer	Rondelle	Scheibe	
30	12155000/0	2	Dado	Nut	Ecrou	Mutter	

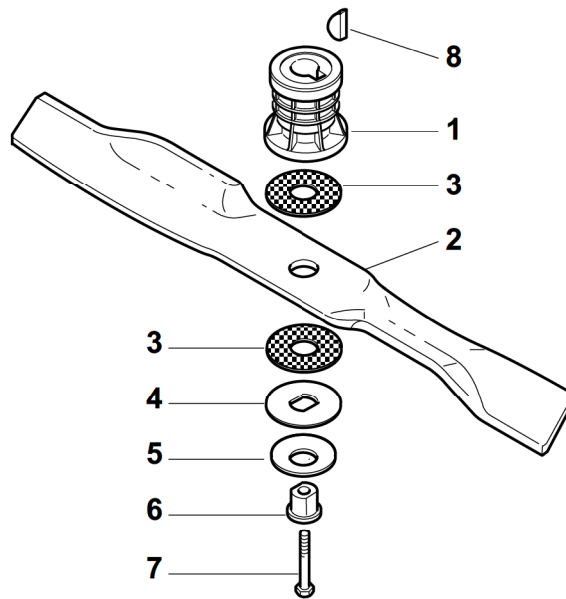
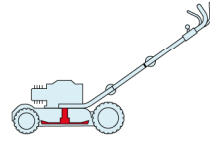
MCS 504



2009
72_014
1 / 1



POS.	CODE	Q.TY	DESCRIZIONE	DESCRIPTION	DESCRIPTION	BESCHREIBUNG	REMARKS
1	22463012/2	1	Mozzo, Albero Motore Ø 22.2	Hub, Crankshaft Ø 22.2	Moyeu, Arbre Moteur Ø 22.2	Halter, Motorwelle Ø 22.2	
1	122463020/1	1	Mozzo, Albero Motore Ø 25	Hub, Crankshaft Ø 25	Moyeu, Arbre Moteur Ø 25	Halter, Motorwelle Ø 25	
2	81004146/0	1	Coltello Standard	Blade Standard	Lame Standard	Messer Standard	
3	22160400/0	1	Disco Elastico	Elastic Washer	Rondelle Elastique	Elastischescheibe	
4	12523080/0	1	Rosetta	Washer	Rondelle	Scheibe	
5	12735698/0	1	Vite	Screw	Vis	Schraube	
6	12139100/0	1	Linguetta, Albero Motore Ø 22.2	Feather, Crankshaft Ø 22.2	Clavette, Arbre Moteur Ø 22.2	Keil, Motorwelle Ø 22.2	
6	12139150/0	1	Linguetta, Albero Motore Ø 25	Feather, Crankshaft Ø 25	Clavette, Arbre Moteur Ø 25	Keil, Motorwelle Ø 25	



POS.	CODE	Q.TY	DESCRIZIONE	DESCRIPTION	DESCRIPTION	BESCHREIBUNG	REMARKS
1	22465611/0	1	Mozzo Con Puleggia, Albero Motore Ø 22.2	Hub With Pulley, Crankshaft Ø 22.2	Moyeu Avec Poulie, Arbre Moteur Ø 22.2	Nabe Mit Scheibe, Motorwelle Ø 22.2	
1	122465612/1	1	Mozzo Con Puleggia, Albero Motore Ø 25	Hub With Pulley, Crankshaft Ø 25	Moyeu Avec Poulie, Arbre Moteur Ø 25	Nabe Mit Scheibe, Motorwelle Ø 25	
2	81004146/0	1	Coltello Alettato	Blade Winged	Lame Ailettée	Messer Flügel	
3	22672110/1	2	Rondella Frizione	Clutch Washer	Rondelle Friction	Kupplungscheibe	
4	22672105/0	1	Rosetta	Washer	Rondelle	Scheibe	
5	12508120/0	1	Molla A Tazza	Cupped Spring	Ressort	Teller Feder	
6	22041940/0	1	Bussola Frizione	Clutch Bush	Douille Friction	Kupplungsscheibe	
7	12736850/0	1	Vite	Screw	Vis	Schraube	
8	12139100/0	1	Linguetta, Albero Motore Ø 22.2	Feather, Crankshaft Ø 22.2	Clavette, Arbre Moteur Ø 22.2	Keil, Motorwelle Ø 22.2	
8	12139150/0	1	Linguetta, Albero Motore Ø 25	Feather, Crankshaft Ø 25	Clavette, Arbre Moteur Ø 25	Keil, Motorwelle Ø 25	