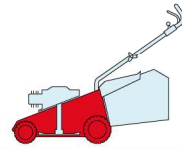


# NP 534

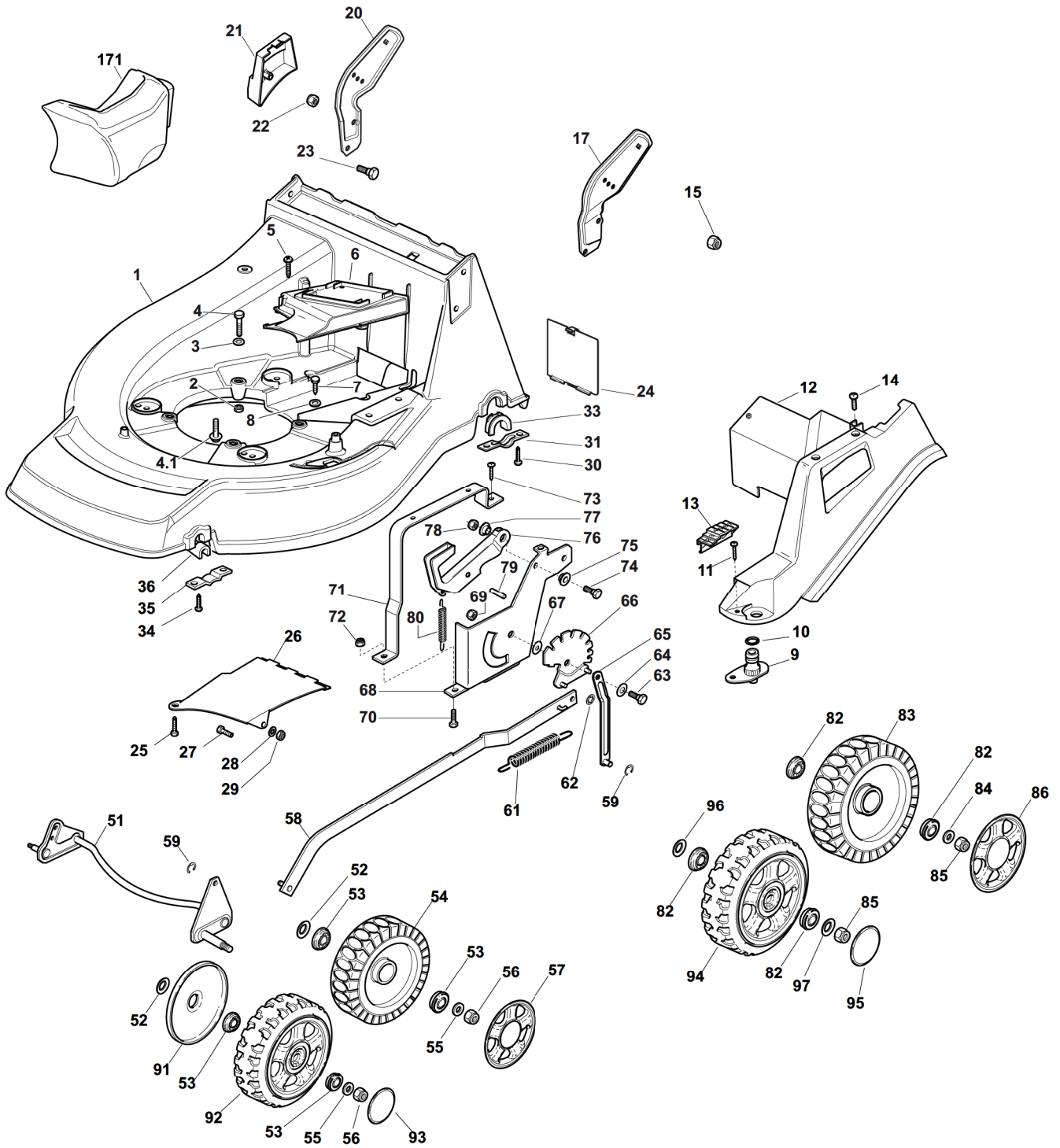
TR TR-E TR 3S TR-E 3S W TR W TR-E W TR 3S W TR-E 3S



2009

54\_001

1 / 3

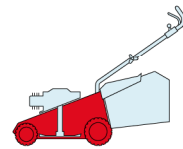


| POS. | CODE        | Q.TY | DESCRIZIONE   | DESCRIPTION | DESCRIPTION   | BESCHREIBUNG | REMARKS |
|------|-------------|------|---------------|-------------|---------------|--------------|---------|
| 1    | 381003543/1 | 1    | Chassis Rosso | Deck Red    | Châssis Rouge | Gehäuse Rot  |         |
| 2    | 12155000/0  | 3    | Dado          | Nut         | Ecrou         | Mutter       |         |
| 3    | 12521350/0  | 3    | Rosetta       | Washer      | Rondelle      | Scheibe      |         |
| 4    | 12691800/0  | 2    | Vite          | Screw       | Vis           | Schraube     | (B&S)   |
| 4    | 12692080/0  | 1    | Vite          | Screw       | Vis           | Schraube     | (B&S)   |
| 4    | 12691900/0  | 3    | Vite          | Screw       | Vis           | Schraube     | (Ggp)   |
| 4A   | 112735108/1 | 3    | Vite          | Screw       | Vis           | Schraube     | (Honda) |

| POS. | CODE        | Q.TY | DESCRIZIONE                  | DESCRIPTION                | DESCRIPTION                   | BESCHREIBUNG            | REMARKS           |
|------|-------------|------|------------------------------|----------------------------|-------------------------------|-------------------------|-------------------|
| 5    | 12728522/0  | 2    | Vite                         | Screw                      | Vis                           | Schraube                |                   |
| 6    | 22060200/1  | 1    | Carter Cinghia               | Protection, Belt           | Protection                    | Schutz, Riemen          |                   |
| 7    | 12729600/0  | 1    | Vite                         | Screw                      | Vis                           | Schraube                |                   |
| 8    | 12523040/0  | 2    | Rosetta                      | Washer                     | Rondelle                      | Scheibe                 |                   |
| 9    | 22034000/0  | 1    | Attacco Acqua Lavaggio       | Washing Connection         | Attaque Lavage                | Waschenverbindung       |                   |
| 10   | 19035000/0  | 1    | Anello Or                    | Or Ring                    | Bague Or                      | Ring Or                 |                   |
| 11   | 12728519/0  | 3    | Vite                         | Screw                      | Vis                           | Schraube                |                   |
| 12   | 322060144/3 | 1    | Carter Regolazione           | Deck, Adjustment           | Châssis Reglage               | Gehäuse                 |                   |
| 13   | 22570200/0  | 1    | Placchetta Posizioni         | Plate, Cutting Positions   | Plaquette Reglage             | Platte, Höheverstellung |                   |
| 14   | 12728520/0  | 1    | Vite                         | Screw                      | Vis                           | Schraube                |                   |
| 15   | 12155000/0  | 2    | Dado                         | Nut                        | Ecrou                         | Mutter                  |                   |
| 17   | 22778397/1  | 1    | Staffa Sx                    | Bracket, L                 | Bride G                       | Pratze, Linke           |                   |
| 20   | 22778396/1  | 1    | Staffa Dx                    | Bracket, R                 | Bride D                       | Pratze, Rechte          |                   |
| 21   | 22601001/0  | 1    | Protezione                   | Protection                 | Protection                    | Schutz                  |                   |
| 22   | 12155000/0  | 2    | Dado                         | Nut                        | Ecrou                         | Mutter                  |                   |
| 23   | 12793301/0  | 2    | Vite                         | Screw                      | Vis                           | Schraube                |                   |
| 24   | 22595352/0  | 1    | Portina Chiusura             | Inspection Door            | Voyant De Visite              | Abdeckplatte            |                   |
| 25   | 12729600/0  | 1    | Vite                         | Screw                      | Vis                           | Schraube                |                   |
| 26   | 22108205/0  | 1    | Convogliatore                | Conveyor                   | Convoyeur                     | Konveyor                |                   |
| 27   | 12789000/0  | 1    | Vite                         | Screw                      | Vis                           | Schraube                |                   |
| 28   | 12523020/0  | 1    | Rosetta                      | Washer                     | Rondelle                      | Scheibe                 |                   |
| 29   | 12154330/0  | 1    | Dado                         | Nut                        | Ecrou                         | Mutter                  |                   |
| 30   | 12731350/0  | 4    | Vite                         | Screw                      | Vis                           | Schraube                |                   |
| 31   | 22545147/0  | 2    | Piastrina                    | Plate                      | Plaquette                     | Platte                  |                   |
| 33   | 22038407/0  | 2    | Bronzina                     | Brass                      | Douille                       | Buchse                  |                   |
| 34   | 12731350/0  | 4    | Vite                         | Screw                      | Vis                           | Schraube                |                   |
| 35   | 22545156/0  | 2    | Piastrina                    | Plate                      | Plaquette                     | Platte                  |                   |
| 36   | 22038400/1  | 2    | Bronzina                     | Brass                      | Douille                       | Buchse                  |                   |
| 51   | 81002801/1  | 1    | Asse Ruote Anteriori         | Axle, Front Wheels         | Axe Roues Avant               | Achse, Vorderrad        |                   |
| 52   | 12530150/0  | 2    | Rosetta Elastica             | Elastic Washer             | Rondelle Elastique            | Elastische Scheibe      |                   |
| 53   | 22122200/0  | 4    | Cuscinetto                   | Bearing                    | Coussinet                     | Lager                   |                   |
| 54   | 81007317/0  | 2    | Ruota Ø 170                  | Wheel Ø 170                | Roue Ø 170                    | Rad. Ø 170              |                   |
| 55   | 12369500/0  | 2    | Rosetta                      | Washer                     | Rondelle                      | Scheibe                 |                   |
| 56   | 12155000/0  | 2    | Dado                         | Nut                        | Ecrou                         | Mutter                  |                   |
| 57   | -           | 2    | Coprizzo                     | Hub Cap                    | Couvre-Moyeu                  | Radkappe                | (See Enclosure 1) |
| 58   | 81001136/0  | 1    | Asta Comando Regol. Altezza  | Rod, Height Adjustment     | Tige Commande Reglage Hauteur | Stange, Höheverstellung | (B&S - Ggp)       |
| 58   | 81001136/0  | 1    | Asta Comando Regol. Altezza  | Rod, Height Adjustment     | Tige Commande Reglage Hauteur | Stange, Höheverstellung | (Honda)           |
| 59   | 12000930/0  | 2    | Anello Elastico              | Snap Ring                  | Anneau Ressort                | Sprengling              |                   |
| 61   | 122446187/0 | 1    | Molla                        | Spring                     | Ressort                       | Feder                   |                   |
| 62   | 12604899/0  | 2    | Fissatore A Corona           | Crown Fastener             | Fixateur A                    | Kronescheibe            |                   |
| 63   | 22529662/0  | 1    | Perno Fulcro                 | Fulcrum Pin                | Pivot                         | Bolzen                  |                   |
| 64   | 22672151/0  | 1    | Rosetta                      | Washer                     | Rondelle                      | Scheibe                 |                   |
| 65   | 81001269/0  | 1    | Asta Asse Posteriore         | Rod, Rear Wheels Axle      | Tige, Axe Roue Arrieres       | Stange, Hinterradachse  |                   |
| 66   | 381000479/2 | 1    | Settore Regolazione Altezza  | Sector, Height Adjustment  | Secteur Reglage Hauteur       | Sektor, Höheverstellung |                   |
| 67   | 22672152/0  | 1    | Rosetta                      | Washer                     | Rondelle                      | Scheibe                 |                   |
| 68   | 22785109/0  | 1    | Supporto Regolazione Altezza | Support, Height Adjustment | Support Reglage               | Halter, Höheverstellung |                   |
| 69   | 12293201/0  | 1    | Dado                         | Nut                        | Ecrou                         | Mutter                  |                   |
| 70   | 12793301/0  | 2    | Vite                         | Screw                      | Vis                           | Schraube                |                   |
| 71   | 22785113/0  | 1    | Supporto Maniglia            | Support, Handle            | Support Poignée               | Halter, Griff           |                   |
| 72   | 12293201/0  | 2    | Dado                         | Nut                        | Ecrou                         | Mutter                  |                   |

| POS. | CODE        | Q.TY | DESCRIZIONE      | DESCRIPTION    | DESCRIPTION        | BESCHREIBUNG       | REMARKS           |
|------|-------------|------|------------------|----------------|--------------------|--------------------|-------------------|
| 73   | 12729600/0  | 1    | Vite             | Screw          | Vis                | Schraube           |                   |
| 74   | 12793301/0  | 1    | Vite             | Screw          | Vis                | Schraube           |                   |
| 75   | 25038002/1  | 2    | Bussola          | Bush           | Douille            | Buchse             |                   |
| 76   | 322393611/2 | 1    | Maniglia         | Handle         | Poignée            | Griff              |                   |
| 78   | 12293201/0  | 1    | Dado             | Nut            | Ecrou              | Mutter             |                   |
| 79   | 12622640/0  | 1    | Spina            | Pin            | Goupille           | Stift              |                   |
| 80   | 22446175/0  | 1    | Molla            | Spring         | Ressort            | Feder              |                   |
| 81   | 12530150/0  | 2    | Rosetta Elastica | Elastic Washer | Rondelle Elastique | Elastische Scheibe |                   |
| 82   | 22122200/0  | 4    | Cuscinetto       | Bearing        | Coussinet          | Lager              |                   |
| 83   | 81007318/1  | 2    | Ruota Ø 210      | Wheel Ø 210    | Roue Ø 210         | Rad. Ø 210         |                   |
| 84   | 12521350/0  | 2    | Rosetta          | Washer         | Rondelle           | Scheibe            |                   |
| 85   | 12155000/0  | 2    | Dado             | Nut            | Ecrou              | Mutter             |                   |
| 86   | -           | 2    | Coprimito        | Hub Cap        | Couvre-Moyeu       | Radkappe           | (See Enclosure 2) |
| 91   | 22600144/0  | 2    | Protezione       | Protection     | Protection         | Schutz             |                   |
| 92   | 81007376/0  | 2    | Ruota Ø 170      | Wheel Ø 170    | Roue Ø 170         | Rad. Ø 170         |                   |
| 93   | 22110418/0  | 2    | Coprimito        | Hub Cap        | Couvre-Moyeu       | Radkappe           |                   |
| 94   | 81007382/0  | 2    | Ruota Ø 210      | Wheel Ø 210    | Roue Ø 210         | Rad. Ø 210         |                   |
| 95   | 22110419/0  | 2    | Coprimito        | Hub Cap        | Couvre-Moyeu       | Radkappe           |                   |
| 96   | 22675100/0  | 2    | Rosetta          | Washer         | Rondelle           | Scheibe            |                   |
| 97   | 22675100/0  | 2    | Rosetta          | Washer         | Rondelle           | Scheibe            |                   |
| 171  | 22140224/0  | 1    | Tappo            | Cap            | Bouchon            | Gummistopfen       |                   |

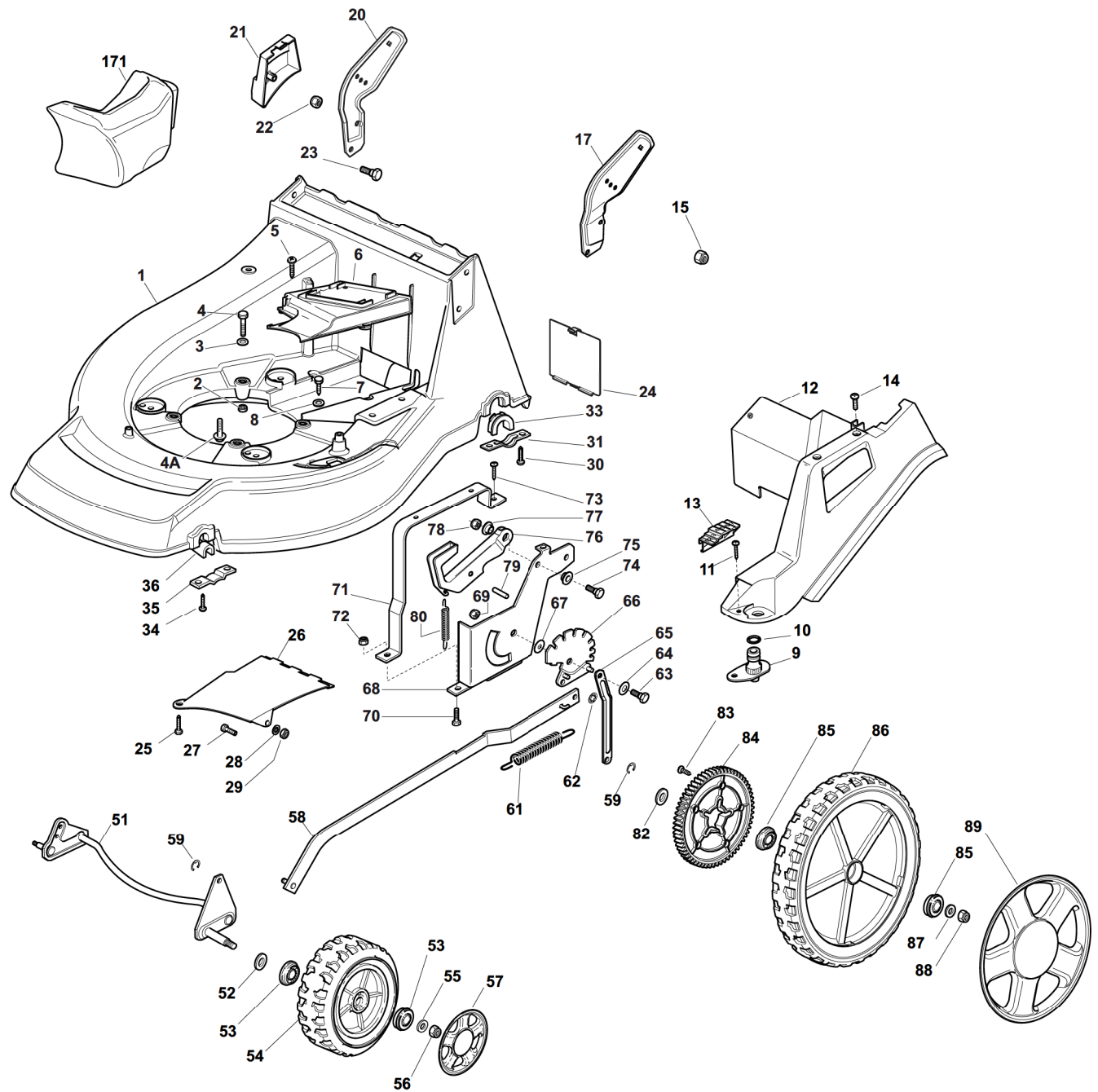
# NP 534



2009

54\_002

1 / 3



| POS. | CODE        | Q.TY | DESCRIZIONE    | DESCRIPTION      | DESCRIPTION   | BESCHREIBUNG   | REMARKS |
|------|-------------|------|----------------|------------------|---------------|----------------|---------|
| 1    | 381003543/1 | 1    | Chassis Rosso  | Deck Red         | Châssis Rouge | Gehäuse Rot    |         |
| 2    | 12155000/0  | 3    | Dado           | Nut              | Ecrou         | Mutter         |         |
| 3    | 12521350/0  | 3    | Rosetta        | Washer           | Rondelle      | Scheibe        |         |
| 4    | 12691800/0  | 2    | Vite           | Screw            | Vis           | Schraube       | (B&S)   |
| 4    | 12692080/0  | 1    | Vite           | Screw            | Vis           | Schraube       | (B&S)   |
| 4    | 12691900/0  | 3    | Vite           | Screw            | Vis           | Schraube       | (Ggp)   |
| 4A   | 112735108/1 | 3    | Vite           | Screw            | Vis           | Schraube       | (Honda) |
| 5    | 12728522/0  | 2    | Vite           | Screw            | Vis           | Schraube       |         |
| 6    | 22060200/1  | 1    | Carter Cinghia | Protection, Belt | Protection    | Schutz, Riemen |         |



| POS. | CODE        | Q.TY | DESCRIZIONE                  | DESCRIPTION                | DESCRIPTION                   | BESCHREIBUNG            | REMARKS |
|------|-------------|------|------------------------------|----------------------------|-------------------------------|-------------------------|---------|
| 7    | 12729600/0  | 1    | Vite                         | Screw                      | Vis                           | Schraube                |         |
| 8    | 12523040/0  | 2    | Rosetta                      | Washer                     | Rondelle                      | Scheibe                 |         |
| 9    | 22034000/0  | 1    | Attacco Acqua Lavaggio       | Washing Connection         | Attaque Lavage                | Waschenverbindung       |         |
| 10   | 19035000/0  | 1    | Anello Or                    | Or Ring                    | Bague Or                      | Ring Or                 |         |
| 11   | 12728519/0  | 3    | Vite                         | Screw                      | Vis                           | Schraube                |         |
| 12   | 322060144/3 | 1    | Carter Regolazione           | Deck, Adjustment           | Châssis Reglage               | Gehäuse                 |         |
| 13   | 22570200/0  | 1    | Placchetta Posizioni         | Plate, Cutting Positions   | Plaquette Reglage             | Platte, Höheverstellung |         |
| 14   | 12728520/0  | 1    | Vite                         | Screw                      | Vis                           | Schraube                |         |
| 15   | 12155000/0  | 2    | Dado                         | Nut                        | Ecrou                         | Mutter                  |         |
| 17   | 22778397/1  | 1    | Staffa Sx                    | Bracket, L                 | Bride G                       | Pratze, Linke           |         |
| 20   | 22778396/1  | 1    | Staffa Dx                    | Bracket, R                 | Bride D                       | Pratze, Rechte          |         |
| 21   | 22601001/0  | 1    | Protezione                   | Protection                 | Protection                    | Schutz                  |         |
| 22   | 12155000/0  | 2    | Dado                         | Nut                        | Ecrou                         | Mutter                  |         |
| 23   | 12793301/0  | 2    | Vite                         | Screw                      | Vis                           | Schraube                |         |
| 24   | 22595352/0  | 1    | Portina Chiusura             | Inspection Door            | Voyant De Visite              | Abdeckplatte            |         |
| 25   | 12729600/0  | 1    | Vite                         | Screw                      | Vis                           | Schraube                |         |
| 26   | 22108205/0  | 1    | Convogliatore                | Conveyor                   | Convoyeur                     | Konveyor                |         |
| 27   | 12789000/0  | 1    | Vite                         | Screw                      | Vis                           | Schraube                |         |
| 28   | 12523020/0  | 1    | Rosetta                      | Washer                     | Rondelle                      | Scheibe                 |         |
| 29   | 12154330/0  | 1    | Dado                         | Nut                        | Ecrou                         | Mutter                  |         |
| 30   | 12731350/0  | 4    | Vite                         | Screw                      | Vis                           | Schraube                |         |
| 31   | 322545177/0 | 2    | Piastrina                    | Plate                      | Plaquette                     | Platte                  |         |
| 33   | 22038407/0  | 2    | Bronzina                     | Brass                      | Douille                       | Buchse                  |         |
| 34   | 12731350/0  | 4    | Vite                         | Screw                      | Vis                           | Schraube                |         |
| 35   | 22545156/0  | 2    | Piastrina                    | Plate                      | Plaquette                     | Platte                  |         |
| 36   | 22038400/1  | 2    | Bronzina                     | Brass                      | Douille                       | Buchse                  |         |
| 51   | 381002865/0 | 1    | Asse Ruote Anteriori         | Axle, Front Wheels         | Axe Roues Avant               | Achse, Vorderrad        |         |
| 58   | 381002023/0 | 1    | Asta Comando Regol. Altezza  | Rod, Height Adjustment     | Tige Commande Reglage Hauteur | Stange, Höheverstellung |         |
| 59   | 12000930/0  | 2    | Anello Elastico              | Snap Ring                  | Anneau Ressort                | Sprengring              |         |
| 61   | 122446187/0 | 1    | Molla                        | Spring                     | Ressort                       | Feder                   |         |
| 62   | 12604899/0  | 2    | Fissatore A Corona           | Crown Fastener             | Fixateur A                    | Kronescheibe            |         |
| 63   | 22529662/0  | 1    | Perno Fulcro                 | Fulcrum Pin                | Pivot                         | Bolzen                  |         |
| 64   | 22672151/0  | 1    | Rosetta                      | Washer                     | Rondelle                      | Scheibe                 |         |
| 65   | 322033299/0 | 1    | Asta Asse Posteriore         | Rod, Rear Wheels Axle      | Tige, Axe Roue Arrieres       | Stange, Hinterradachse  |         |
| 66   | 381000499/0 | 1    | Settore Regolazione Altezza  | Sector, Height Adjustment  | Secteur Reglage Hauteur       | Sektor, Höheverstellung |         |
| 67   | 22672152/0  | 1    | Rosetta                      | Washer                     | Rondelle                      | Scheibe                 |         |
| 68   | 22785109/0  | 1    | Supporto Regolazione Altezza | Support, Height Adjustment | Support Reglage               | Halter, Höheverstellung |         |
| 69   | 12293201/0  | 1    | Dado                         | Nut                        | Ecrou                         | Mutter                  |         |
| 70   | 12793301/0  | 2    | Vite                         | Screw                      | Vis                           | Schraube                |         |
| 71   | 22785113/0  | 1    | Supporto Maniglia            | Support, Handle            | Support Poignée               | Halter, Griff           |         |
| 72   | 12293201/0  | 2    | Dado                         | Nut                        | Ecrou                         | Mutter                  |         |
| 73   | 12729600/0  | 1    | Vite                         | Screw                      | Vis                           | Schraube                |         |
| 74   | 12793301/0  | 1    | Vite                         | Screw                      | Vis                           | Schraube                |         |
| 75   | 25038002/1  | 2    | Bussola                      | Bush                       | Douille                       | Buchse                  |         |
| 76   | 322393611/2 | 1    | Maniglia                     | Handle                     | Poignée                       | Griff                   |         |
| 78   | 12293201/0  | 1    | Dado                         | Nut                        | Ecrou                         | Mutter                  |         |
| 79   | 12622640/0  | 1    | Spina                        | Pin                        | Goupille                      | Stift                   |         |
| 80   | 22446175/0  | 1    | Molla                        | Spring                     | Ressort                       | Feder                   |         |
| 52   | 12530150/0  | 2    | Rosetta                      | Washer                     | Rondelle                      | Scheibe                 |         |
| 53   | 22122200/0  | 4    | Cuscinetto                   | Bearing                    | Coussinet                     | Lager                   |         |

| POS. | CODE        | Q.TY | DESCRIZIONE    | DESCRIPTION   | DESCRIPTION        | BESCHREIBUNG   | REMARKS           |
|------|-------------|------|----------------|---------------|--------------------|----------------|-------------------|
| 54   | 381007390/0 | 2    | Ruota Ø 210    | Wheel Ø 210   | Roue Ø 210         | Rad Ø 210      |                   |
| 55   | 12521350/0  | 2    | Rosetta        | Washer        | Rondelle           | Scheibe        |                   |
| 56   | 12155000/0  | 2    | Dado           | Nut           | Ecrou              | Mutter         |                   |
| 57   | -           | 2    | Coprizzo       | Hub Cap       | Couvre-Moyeu       | Radkappe       | (See Enclosure 2) |
| 82   | 22675100/0  | 2    | Rosetta        | Washer        | Rondelle           | Scheibe        |                   |
| 83   | 12728691/0  | 6    | Vite           | Screw         | Vis                | Schraube       |                   |
| 84   | 22120110/0  | 2    | Ruota Dentata  | Sprocket      | Couronne           | Zahnkettenrad  |                   |
| 85   | 22122200/0  | 4    | Cuscinetto     | Bearing       | Coussinet          | Lager          |                   |
| 86   | 381007391/0 | 2    | Ruota Ø 300    | Wheel Ø 300   | Roue Ø 300         | Rad Ø 300      |                   |
| 87   | 12521350/0  | 4    | Rosetta        | Washer        | Rondelle           | Scheibe        |                   |
| 88   | 12155000/0  | 2    | Dado           | Nut           | Ecrou              | Mutter         |                   |
| 89   | -           | 2    | Coprizzo Ø 300 | Hub Cap Ø 300 | Couvre-Moyeu Ø 300 | Radkappe Ø 300 | (See Enclosure 3) |
| 171  | 22140224/0  | 1    | Tappo          | Cap           | Bouchon            | Gummistopfen   |                   |

# NP 534

2009

54\_003

1 / 1

TR

TR-E

TR 3S

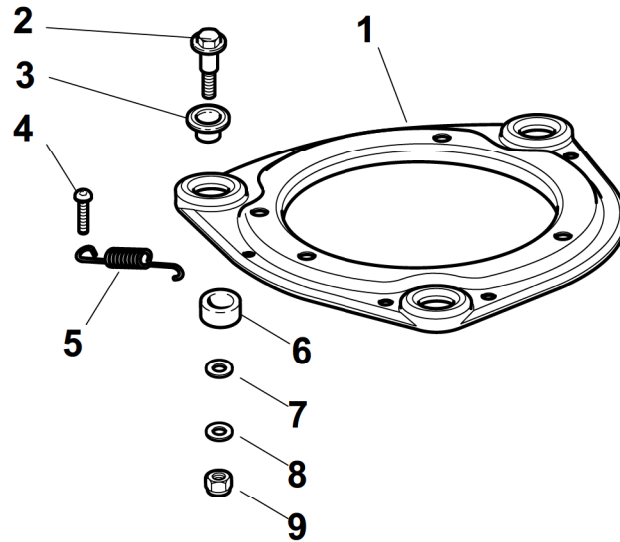
TR-E 3S

W  
TR

W  
TR-E

W  
TR 3S

W  
TR-E 3S



| POS. | CODE       | Q.TY | DESCRIZIONE | DESCRIPTION | DESCRIPTION | BESCHREIBUNG | REMARKS |
|------|------------|------|-------------|-------------|-------------|--------------|---------|
| 1    | 22207223/0 | 1    | Flangia     | Flange      | Bride       | Flansch      |         |
| 2    | 22524329/0 | 3    | Perno       | Pin         | Pivot       | Bolzen       |         |
| 3    | 22672201/0 | 3    | Rosetta     | Washer      | Rondelle    | Scheibe      |         |
| 4    | 12729601/1 | 1    | Vite        | Screw       | Vis         | Schraube     |         |
| 5    | 22450445/0 | 1    | Molla       | Spring      | Ressort     | Feder        |         |
| 6    | 22250012/0 | 3    | Gommino     | Grommet     | Caoutchouc  | Gummi        |         |
| 7    | 22671651/0 | 3    | Rosetta     | Washer      | Rondelle    | Scheibe      |         |
| 8    | 12521350/0 | 3    | Rosetta     | Washer      | Rondelle    | Scheibe      |         |
| 9    | 12155000/0 | 3    | Dado        | Nut         | Ecrou       | Mutter       |         |

# NP 534

2009

54\_004

1 / 1

TR

TR-E

TR 3S

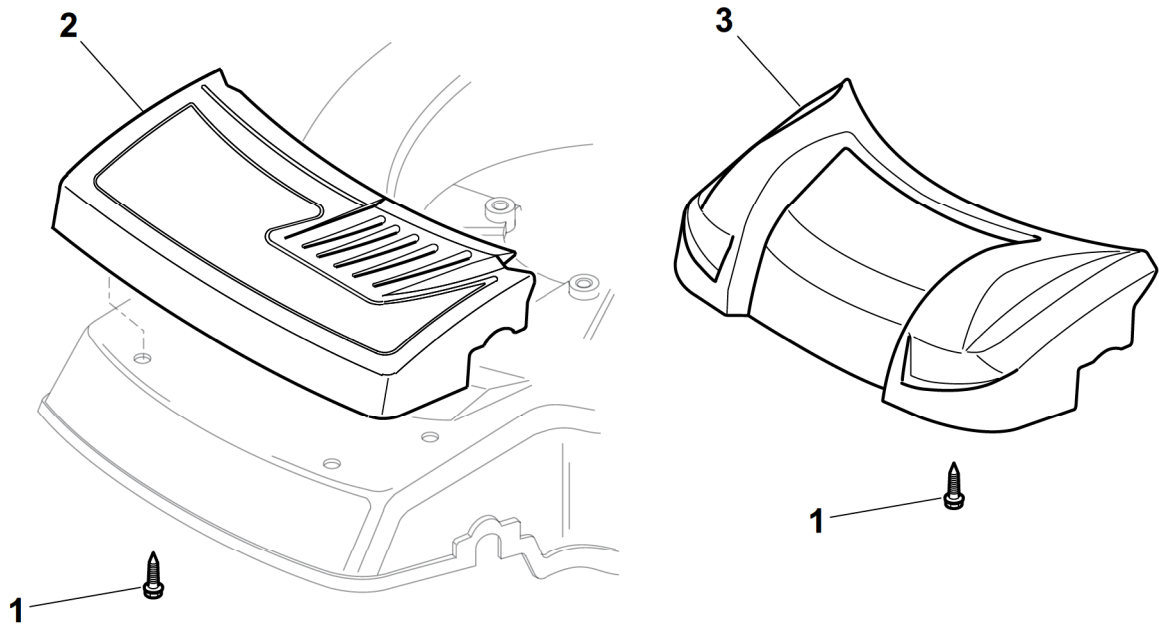
TR-E 3S

W  
TR

W  
TR-E

W  
TR 3S

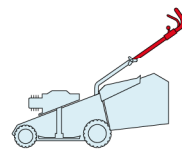
W  
TR-E 3S



| POS. | CODE        | Q.TY | DESCRIZIONE        | DESCRIPTION | DESCRIPTION  | BESCHREIBUNG   | REMARKS |
|------|-------------|------|--------------------|-------------|--------------|----------------|---------|
| 1    | 112735420/0 | 4    | Vite               | Screw       | Vis          | Schraube       |         |
| 2    | 22226050/0  | 1    | Mascherina, Nero   | Mask, Black | Mesque, Noir | Maske, Schwarz |         |
| 3    | 322226112/1 | 1    | Mascherina, Grigio | Mask, Grey  | Mesque, Gris | Maske, Grau    |         |

# NP 534

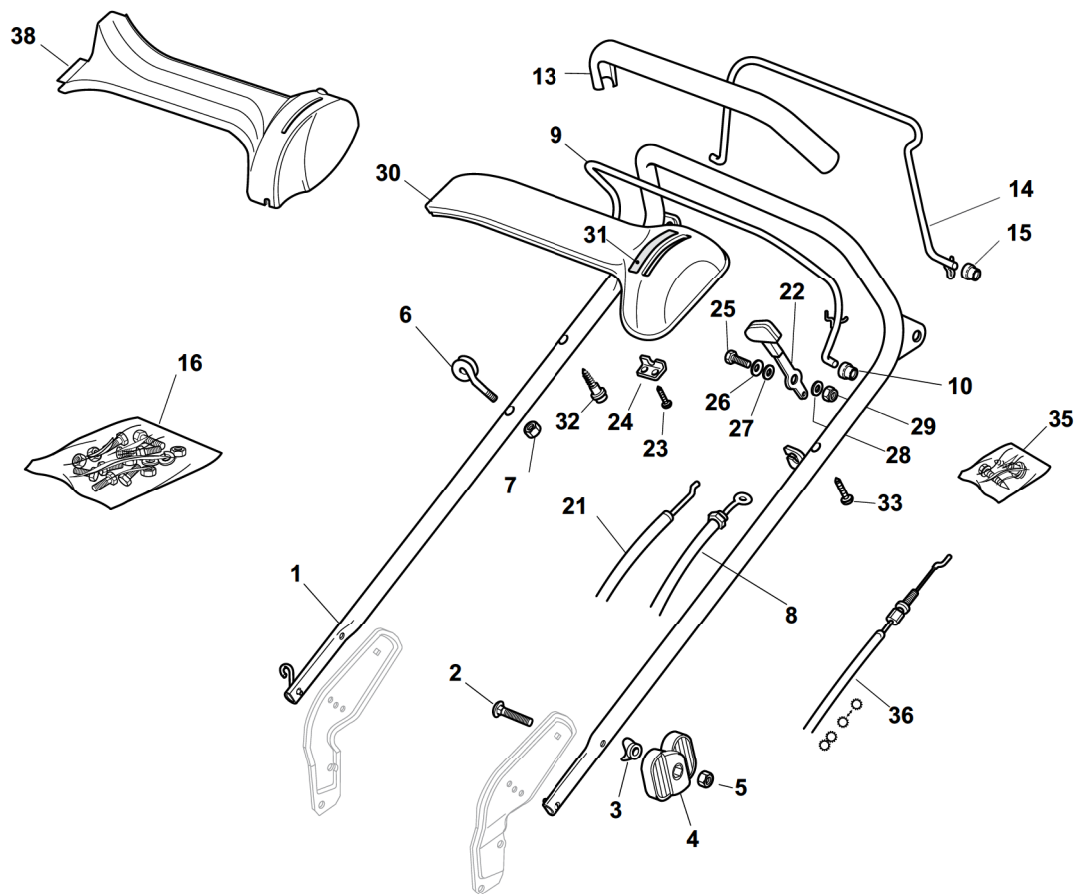
TR TR-E TR 3S TR-E 3S W TR W TR-E W TR 3S W TR-E 3S



2009

54\_005

1 / 2



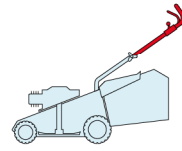
| POS. | CODE        | Q.TY | DESCRIZIONE             | DESCRIPTION                | DESCRIPTION                  | BESCHREIBUNG       | REMARKS                      |
|------|-------------|------|-------------------------|----------------------------|------------------------------|--------------------|------------------------------|
| 1    | 81006861/0  | 1    | Manico, Parte Sup       | Handle, Upper Part         | Mancheron, Partie Supérieure | Holm, Oberteil     |                              |
| 2    | 12819120/0  | 2    | Vite                    | Screw                      | Vis                          | Schraube           |                              |
| 3    | 22680006/1  | 2    | Rosetta                 | Washer                     | Rondelle                     | Scheibe            |                              |
| 4    | 22399803/0  | 2    | Manopolina              | Knob                       | Poignée                      | Griff              |                              |
| 5    | 12293200/0  | 2    | Dado                    | Nut                        | Ecrou                        | Mutter             |                              |
| 6    | 22430309/0  | 1    | Molla Guida             | Guide Spring               | Ressort De Guide             | Feder Führer       |                              |
| 7    | 12154330/0  | 1    | Dado                    | Nut                        | Ecrou                        | Mutter             |                              |
| 8    | 81000757/0  | 1    | Cavo Freno Motore       | Cable, Thread Engine Brake | Cable Frein Moteur           | Kabel, Motorbremse | (B&S 675 Series)             |
| 8    | 81000634/0  | 1    | Cavo Freno Motore       | Cable, Thread Engine Brake | Cable Frein Moteur           | Kabel, Motorbremse | 534 Tr/E (B&S 675 Series Es) |
| 8    | 181030006/0 | 1    | Cavo Freno Motore       | Cable, Thread Engine Brake | Cable Frein Moteur           | Kabel, Motorbremse | (B&S 700 Series)             |
| 8    | 81000616/1  | 1    | Cavo Freno Motore       | Cable, Thread Engine Brake | Cable Frein Moteur           | Kabel, Motorbremse | (Honda)                      |
| 8    | 81000616/1  | 1    | Cavo Freno Motore       | Cable, Thread Engine Brake | Cable Frein Moteur           | Kabel, Motorbremse | (Ggp 160cc)                  |
| 8    | 81000616/1  | 1    | Cavo Freno Motore       | Cable, Thread Engine Brake | Cable Frein Moteur           | Kabel, Motorbremse | (Ggp 196cc)                  |
| 9    | 81003291/3  | 1    | Leva Freno Motore       | Lever, Engine Brake        | Levier Frein Moteur          | Hebel, Motorbremse |                              |
| 10   | 22041966/0  | 2    | Bussola                 | Bush                       | Douille                      | Buchse             |                              |
| 11   | 12728518/0  | 1    | Vite                    | Screw                      | Vis                          | Schraube           |                              |
| 12   | 22806612/0  | 1    | Supporto                | Support                    | Support                      | Halter             |                              |
| 13   | 22291050/0  | 1    | Impugnatura Manico Nera | Handgrip Black             | Poignée Noire                | Handgriff Schwarz  |                              |
| 14   | 81003288/1  | 1    | Leva Trazione           | Lever, Driving             | Levier Traction              | Hebel, Antrieb     |                              |
| 15   | 22041965/1  | 2    | Bussola                 | Bush                       | Douille                      | Buchse             |                              |
| 16   | 81008610/0  | 1    | Dotazione Viteria       | Outfit, Screws             | Dotation Visserie            | Satz, Schrauben    |                              |

| POS. | CODE        | Q.TY | DESCRIZIONE                 | DESCRIPTION               | DESCRIPTION                | BESCHREIBUNG            | REMARKS   |
|------|-------------|------|-----------------------------|---------------------------|----------------------------|-------------------------|---|
| 21   | 81007160/0  | 1    | Cavo Acceleratore           | Throttle Cable            | Cable, Accelérateur        | Gashebel Kabel          |   |
| 22   | 81007280/2  | 1    | Leva, Acceleratore          | Lever, Throttle           | Levier,                    | Hebel, Beshleuniger     | (B&S 625-675-700 Series - Honda - Ggp 140-160-196 cc) |
| 22   | 81007221/0  | 1    | Leva, Acceleratore          | Lever, Throttle           | Levier,                    | Hebel, Beshleuniger     | (B&S 450-500 Series - Ggp 150 cc)                     |
| 23   | 12735105/0  | 2    | Vite                        | Screw                     | Vis                        | Schraube                |   |
| 24   | 22981467/0  | 1    | Piastrina                   | Plate                     | Plaquette                  | Platte                  |   |
| 25   | 12791500/0  | 1    | Vite                        | Screw                     | Vis                        | Schraube                |   |
| 26   | 12530060/0  | 1    | Rosetta Elastica            | Elastic Washer            | Rondelle Elastique         | Elastische Scheibe      |   |
| 27   | 12523040/0  | 1    | Rosetta                     | Washer                    | Rondelle                   | Scheibe                 |   |
| 28   | 12523040/0  | 1    | Rosetta                     | Washer                    | Rondelle                   | Scheibe                 |   |
| 29   | 12154510/0  | 1    | Dado                        | Nut                       | Ecrou                      | Mutter                  |   |
| 30   | 22120152/0  | 1    | Cruscotto Giallo            | Dash Board Yellow         | Console Jaune              | Konsole Gelbe           |   |
| 30   | 22120154/0  | 1    | Cruscotto Rosso             | Dash Board Red            | Console Rouge              | Konsole Rote            |   |
| 30   | 22120158/0  | 1    | Cruscotto Nero              | Dash Board Black          | Console Noire              | Konsole Schwarze        |   |
| 31   | 114356744/1 | 1    | Etichetta                   | Label                     | Etiquette                  | Etikette                | (B&S)   |
| 31   | 114356906/1 | 1    | Etichetta                   | Label                     | Etiquette                  | Etikette                | (B&S 700 series DOV)                                  |
| 31   | 114356743/1 | 1    | Etichetta                   | Label                     | Etiquette                  | Etikette                | (GGP)   |
| 31   | 114356743/1 | 1    | Etichetta                   | Label                     | Etiquette                  | Etikette                | (Honda)   |
| 31   | 114357646/1 | 1    | Etichetta                   | Label                     | Etiquette                  | Etikette                | (Honda GCV 160-190 Autochoke)                         |
| 32   | 22943006/0  | 1    | Vite                        | Screw                     | Vis                        | Schraube                |   |
| 33   | 12728460/0  | 1    | Vite                        | Screw                     | Vis                        | Schraube                |   |
| 35   | 81008609/0  | 1    | Dotazione Viteria Cruscotto | Outfit, Dash-Board Screws | Dotation Visserie Consolle | Satz, Konsole Schrauben |   |
| 36   | 81000673/0  | 1    | Cavo Comando Trazione       | Cable, Rear Drive         | Câble, Commande Traction   | Kabel, Antrieb          | (Bi Ci Di)  |
| 36   | 81000669/0  | 1    | Cavo Comando Trazione       | Cable, Rear Drive         | Câble, Commande Traction   | Kabel, Antrieb          | (General Transmission)                                |
| 38   | 22120172/0  | 1    | Cruscotto Nero              | Dash Board Black          | Console Noire              | Konsole Schwarze        |   |
| 38   | 22120173/0  | 1    | Cruscotto Rosso             | Dash Board Red            | Console Rouge              | Konsole Rote            |   |
| 38   | 22120174/0  | 1    | Cruscotto Giallo            | Dash Board Yellow         | Console Jaune              | Konsole Gelbe           |   |



# NP 534

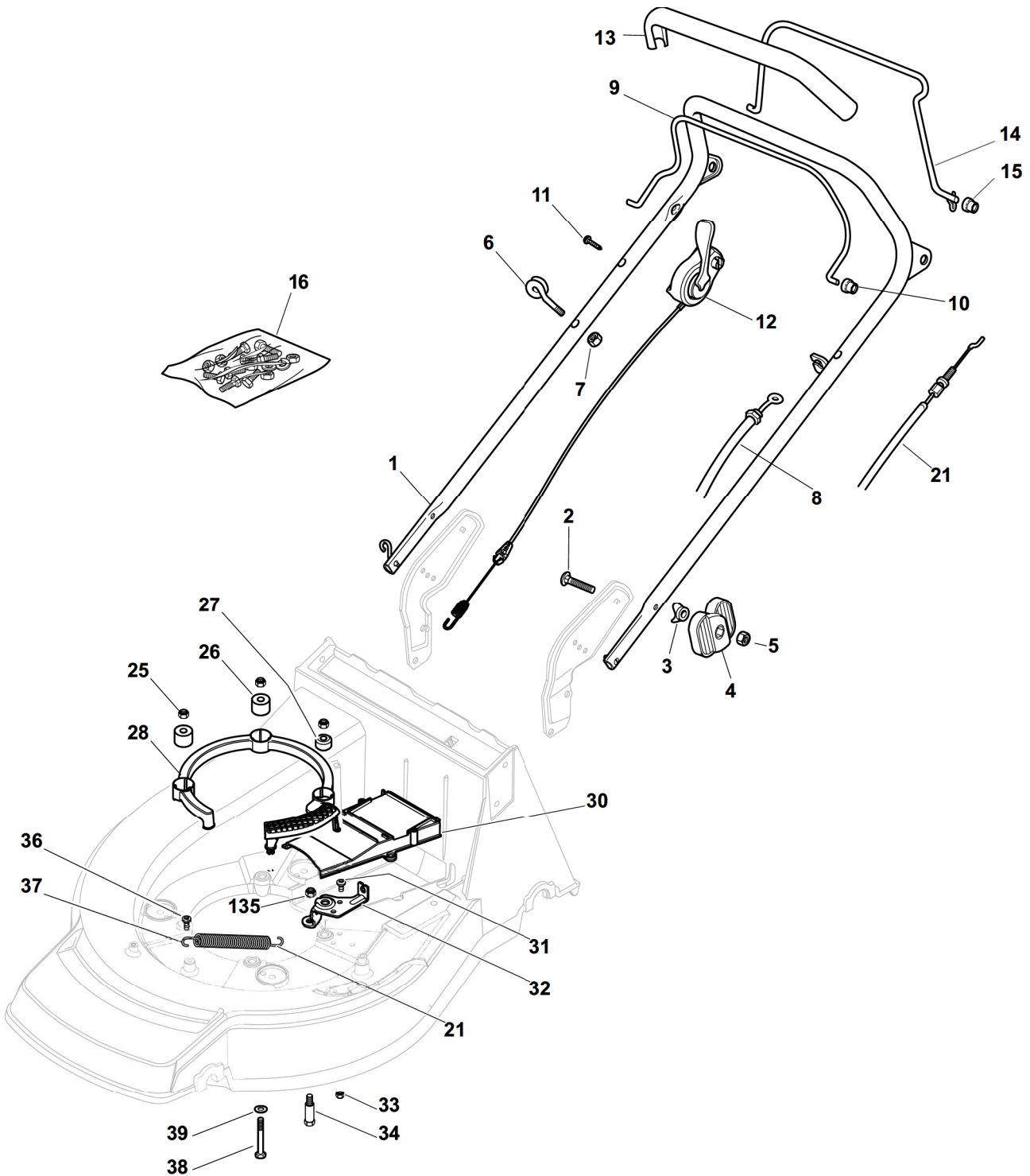
TR TR-E TR 3S TR-E 3S W TR W TR-E W TR 3S W TR-E 3S



2009

54\_006

1 / 2

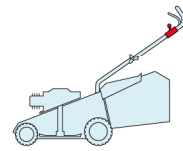


| POS. | CODE        | Q.TY | DESCRIZIONE       | DESCRIPTION        | DESCRIPTION                  | BESCHREIBUNG   | REMARKS |
|------|-------------|------|-------------------|--------------------|------------------------------|----------------|---------|
| 1    | 381006869/1 | 1    | Manico, Parte Sup | Handle, Upper Part | Mancheron, Partie Supérieure | Holm, Oberteil |         |
| 2    | 12819120/0  | 2    | Vite              | Screw              | Vis                          | Schraube       |         |
| 3    | 22680006/1  | 2    | Rosetta           | Washer             | Rondelle                     | Scheibe        |         |
| 4    | 22399803/0  | 2    | Manopolina        | Knob               | Poignée                      | Griff          |         |
| 5    | 12293200/0  | 2    | Dado              | Nut                | Ecrou                        | Mutter         |         |
| 6    | 22430309/0  | 1    | Molla Guida       | Guide Spring       | Ressort De Guide             | Feder Führer   |         |

| POS. | CODE        | Q.TY | DESCRIZIONE                     | DESCRIPTION                | DESCRIPTION                         | BESCHREIBUNG                | REMARKS                           |
|------|-------------|------|---------------------------------|----------------------------|-------------------------------------|-----------------------------|-----------------------------------|
| 7    | 12154330/0  | 1    | Dado                            | Nut                        | Ecrou                               | Mutter                      |                                   |
| 8    | 81000757/0  | 1    | Cavo Freno Motore               | Cable, Thread Engine Brake | Cable Frein Moteur                  | Kabel, Motorbremse          | (B&S 675 Series)                  |
| 8    | 81000634/0  | 1    | Cavo Freno Motore               | Cable, Thread Engine Brake | Cable Frein Moteur                  | Kabel, Motorbremse          | 534 Tr/E (B&S 675 Series Es)      |
| 8    | 181030006/0 | 1    | Cavo Freno Motore               | Cable, Thread Engine Brake | Cable Frein Moteur                  | Kabel, Motorbremse          | (B&S 700 Series)                  |
| 8    | 81000616/1  | 1    | Cavo Freno Motore               | Cable, Thread Engine Brake | Cable Frein Moteur                  | Kabel, Motorbremse          | (Honda)                           |
| 8    | 81000616/1  | 1    | Cavo Freno Motore               | Cable, Thread Engine Brake | Cable Frein Moteur                  | Kabel, Motorbremse          | (Ggp 160cc)                       |
| 8    | 81000616/1  | 1    | Cavo Freno Motore               | Cable, Thread Engine Brake | Cable Frein Moteur                  | Kabel, Motorbremse          | (Ggp 200cc)                       |
| 9    | 181003332/0 | 1    | Leva Freno Motore               | Lever, Engine Brake        | Levier Frein Moteur                 | Hebel, Motorbremse          |                                   |
| 10   | 22041966/0  | 2    | Bussola                         | Bush                       | Douille                             | Buchse                      |                                   |
| 11   | 12727784/0  | 1    | Vite                            | Screw                      | Vis                                 | Schraube                    |                                   |
| 12   | 381030033/0 | 1    | Cavo Comando Frizione Meccanica | Cable, Mechanical Clutch   | Câble, Commande Embrayage Mecanique | Kabel, Mechanische Kupplung |                                   |
| 13   | 22291050/0  | 1    | Impugnatura Manico Nera         | Handgrip Black             | Poignée Noire                       | Handgriff Schwarz           |                                   |
| 14   | 81003288/1  | 1    | Leva Trazione                   | Lever, Driving             | Levier Traction                     | Hebel, Antrieb              |                                   |
| 15   | 22041965/1  | 2    | Bussola                         | Bush                       | Douille                             | Buchse                      |                                   |
| 16   | 81008610/0  | 1    | Dotazione Viteria               | Outfit, Screws             | Dotation Visserie                   | Satz, Schrauben             |                                   |
| 21   | 81000673/0  | 1    | Cavo Comando Trazione           | Cable, Rear Drive          | Câble, Commande Traction            | Kabel, Antrieb              | (Bi Ci Di)                        |
| 21   | 81000669/0  | 1    | Cavo Comando Trazione           | Cable, Rear Drive          | Câble, Commande Traction            | Kabel, Antrieb              | (General Transmission)            |
| 25   | 12154210/0  | 3    | Dado                            | Nut                        | Ecrou                               | Mutter                      |                                   |
| 26   | 22170835/0  | 2    | Distanziale                     | Spacer                     | Entretoise                          | Distanzring                 |                                   |
| 27   | 122170836/0 | 1    | Distanziale                     | Spacer                     | Entretoise                          | Distanzring                 | (B&S 450-500 Series - Ggp 150 cc) |
| 28   | 322170961/0 | 1    | Protezione                      | Protection                 | Protection                          | Schutz                      |                                   |
| 30   | 322060228/0 | 1    | Carter Cinghia                  | Protection, Belt           | Protection                          | Schutz, Riemen              |                                   |
| 31   | 12735664/0  | 2    | Vite                            | Screw                      | Vis                                 | Schraube                    |                                   |
| 32   | 322551665/0 | 1    | Piastrina Fissaggio Cavo        | Plate For Cable Fastening  | Plaquette Fixage Câble              | Platte Kabelbefestigung     |                                   |
| 33   | 12154510/0  | 2    | Dado                            | Nut                        | Ecrou                               | Mutter                      |                                   |
| 34   | 125580018/0 | 1    | Perno                           | Pin                        | Pivot                               | Bolzen                      |                                   |
| 35   | 12155000/0  | 1    | Dado                            | Nut                        | Ecrou                               | Mutter                      |                                   |
| 36   | 12735664/0  | 1    | Vite                            | Screw                      | Vis                                 | Schraube                    |                                   |
| 37   | 122446188/0 | 1    | Molla                           | Spring                     | Ressort                             | Feder                       |                                   |
| 38   | 12692050/0  | 3    | Vite                            | Screw                      | Vis                                 | Schraube                    | (B&S)                             |
| 38   | 12692080/0  | 3    | Vite                            | Screw                      | Vis                                 | Schraube                    | (Honda)                           |
| 39   | 12521350/0  | 3    | Rosetta                         | Washer                     | Rondelle                            | Scheibe                     |                                   |

# NP 534

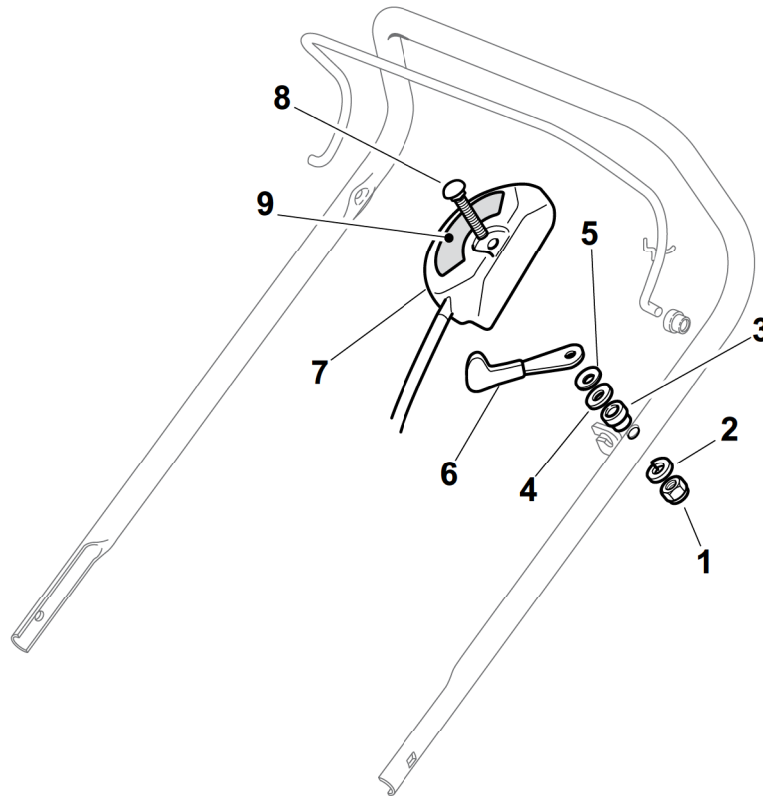
TR TR-E TR 3S TR-E 3S W TR W TR-E W TR 3S W TR-E 3S



2009

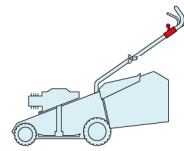
54\_007

1 / 1



| POS. | CODE        | Q.TY | DESCRIZIONE        | DESCRIPTION     | DESCRIPTION          | BESCHREIBUNG         | REMARKS   |
|------|-------------|------|--------------------|-----------------|----------------------|----------------------|---|
| 1    | 12291000/0  | 1    | Dado               | Nut             | Ecrou                | Mutter               |   |
| 2    | 12581500/0  | 1    | Grower             | Grower          | Grower               | Federring            |   |
| 3    | 22171005/0  | 1    | Distanziale        | Spacer          | Entretoise           | Distanzring          |   |
| 4    | 12521360/0  | 1    | Rosetta            | Washer          | Rondelle             | Scheibe              |   |
| 5    | 12508100/0  | 1    | Rosetta Elastica   | Spring Washer   | Rondelle Elastique   | Elastische Scheibe   |   |
| 6    | 81007279/1  | 1    | Leva, Acceleratore | Lever, Throttle | Levier, Accelérateur | Hebel, Beschleuniger | (B&S 625-675-700 Series - Honda - Ggp 140-160-196 cc) |
| 6    | 81007220/0  | 1    | Leva, Acceleratore | Lever, Throttle | Levier, Accelérateur | Hebel, Beschleuniger | (B&S 450-500 Series - Ggp 150 cc)                     |
| 7    | 81007080/0  | 1    | Cavo Acceleratore  | Throttle Cable  | Cable, Accelérateur  | Gashebel Kabel       |   |
| 8    | 12815000/0  | 1    | Vite               | Screw           | Vis                  | Schraube             |   |
| 9    | 14356703/0  | 1    | Etichetta          | Label           | Etiquette            | Etikette             | (B&S)   |
| 9    | 114356905/0 | 1    | Etichetta          | Label           | Etiquette            | Etikette             | (B&S 700 series DOV)                                  |
| 9    | 14356702/0  | 1    | Etichetta          | Label           | Etiquette            | Etikette             | (GGP)   |
| 9    | 114364264/0 | 1    | Etichetta          | Label           | Etiquette            | Etikette             | AVS (GGP 160-196)                                     |
| 9    | 14356702/0  | 1    | Etichetta          | Label           | Etiquette            | Etikette             | (Honda)   |
| 9    | 114356905/0 | 1    | Etichetta          | Label           | Etiquette            | Etikette             | (Honda GCV 160-190 Autochoke)                         |

# NP 534



2009

54\_008

1 / 1

TR

TR-E

TR 3S

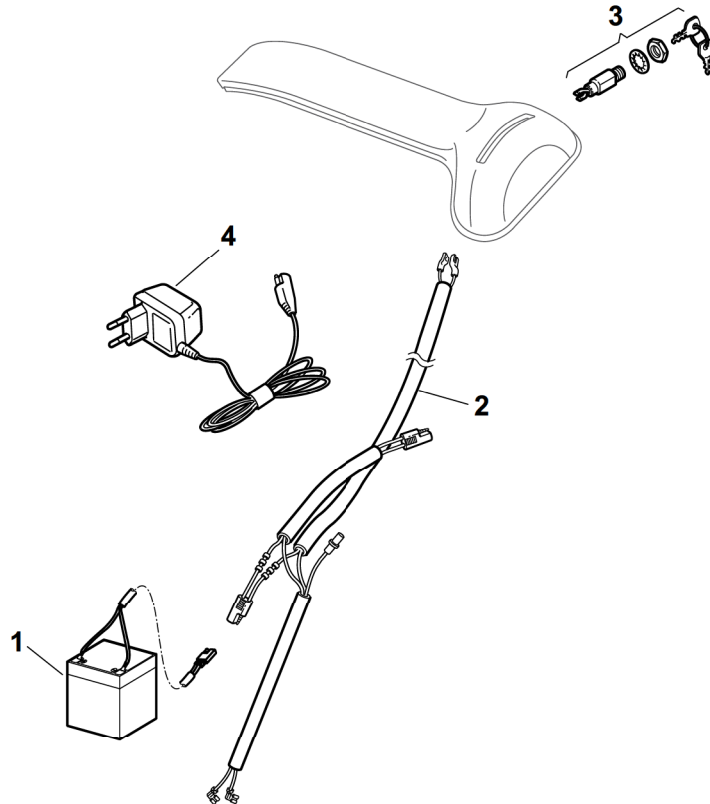
TR-E 3S

W  
TR

W  
TR-E

W  
TR 3S

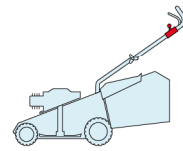
W  
TR-E 3S



| POS. | CODE        | Q.TY | DESCRIZIONE     | DESCRIPTION     | DESCRIPTION     | BESCHREIBUNG | REMARKS     |
|------|-------------|------|-----------------|-----------------|-----------------|--------------|-------------|
| 1    | 18120052/0  | 1    | Batteria        | Battery         | Batterie        | Batterie     |             |
| 2    | 118204192/3 | 1    | Cavo Avviamento | Cable, Start    | Cable Démarrage | Kabel, Start | (B&S - Ggp) |
| 2    | 18204198/0  | 1    | Cavo Avviamento | Cable, Start    | Cable Démarrage | Kabel, Start | (Honda)     |
| 3    | 18450050/0  | 1    | Interruttore    | Switch          | Interrupteur    | Schalter     |             |
| 4    | 18204120/0  | 1    | Carica Batteria | Battery Charger | Chargeur De     | Ladgerät     |             |
| 4    | 18204121/0  | 1    | Carica Batteria | Battery Charger | Chargeur De     | Ladgerät     | (Uk)        |

# NP 534

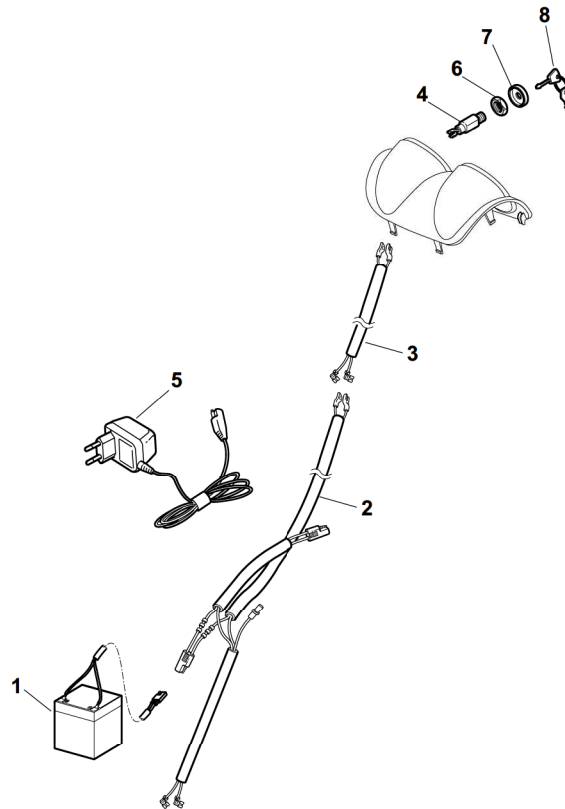
TR TR-E TR 3S TR-E 3S W TR W TR-E W TR 3S W TR-E 3S



2009

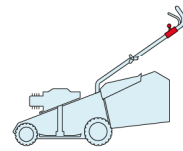
54\_009

1 / 1



| POS. | CODE        | Q.TY | DESCRIZIONE       | DESCRIPTION        | DESCRIPTION       | BESCHREIBUNG        | REMARKS     |
|------|-------------|------|-------------------|--------------------|-------------------|---------------------|-------------|
| 1    | 18120052/0  | 1    | Batteria          | Battery            | Batterie          | Batterie            |             |
| 2    | 118204192/3 | 1    | Cavo Avviamento   | Cable, Start       | Cable Démarrage   | Kabel, Start        | (B&S - Ggp) |
| 2    | 18204198/0  | 1    | Cavo Avviamento   | Cable, Start       | Cable Démarrage   | Kabel, Start        | (Honda)     |
| 3    | 18204199/0  | 1    | Cavo              | Cable              | Cable             | Kabel               |             |
| 4    | 18450050/0  | 1    | Interruttore      | Switch             | Interrupteur      | Schalter            |             |
| 5    | 18204120/0  | 1    | Carica Batteria   | Battery Charger    | Chargeur De       | Ladgerät            |             |
| 5    | 18204121/0  | 1    | Carica Batteria   | Battery Charger    | Chargeur De       | Ladgerät            | (Uk)        |
| 6    | 18400861/0  | 1    | Ghiera            | Ringnut            | Embout            | Nutmutter           |             |
| 7    | 18565351/0  | 1    | Protezione Ghiera | Ringnut Protection | Protection Embout | Nutmutter Schutz    |             |
| 8    | 18210016/1  | 1    | Chiave Avviamento | Starting Key       | Clef A Demarrage  | Schlüssel Für Start |             |

# NP 534

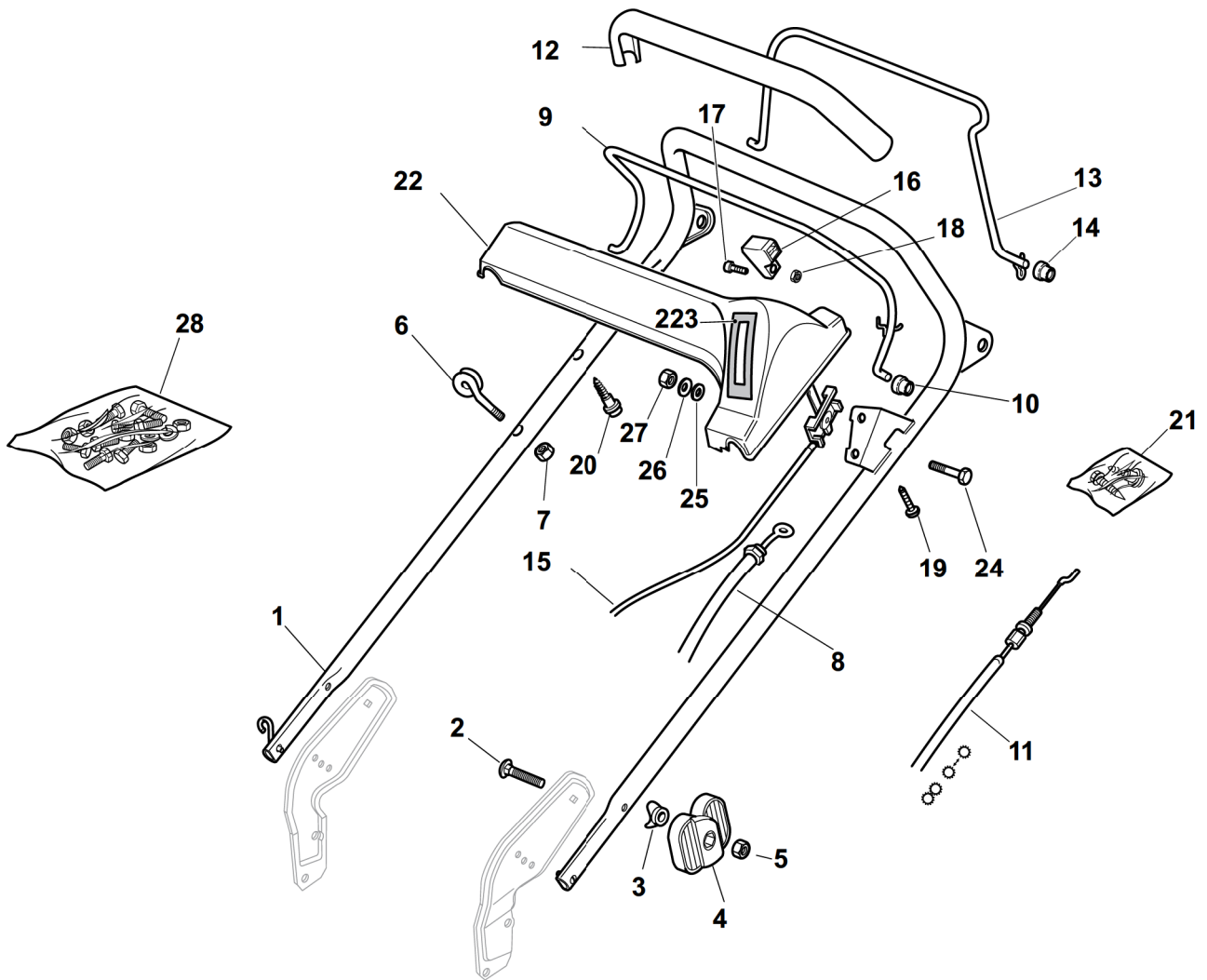


2009

54\_010

1 / 2

TR TR-E TR 3S TR-E 3S W TR W TR-E W TR 3S W TR-E 3S



| POS. | CODE        | Q.TY | DESCRIZIONE           | DESCRIPTION                | DESCRIPTION                  | BESCHREIBUNG       | REMARKS                      |
|------|-------------|------|-----------------------|----------------------------|------------------------------|--------------------|------------------------------|
| 1    | 81007028/1  | 1    | Manico, Parte Sup     | Handle, Upper Part         | Mancheron, Partie Supérieure | Holm, Oberteil     |                              |
| 2    | 12819120/0  | 2    | Vite                  | Screw                      | Vis                          | Schraube           |                              |
| 3    | 22680006/1  | 2    | Rosetta               | Washer                     | Rondelle                     | Scheibe            |                              |
| 4    | 22399803/0  | 2    | Manopolina            | Knob                       | Poignée                      | Griff              |                              |
| 5    | 12293200/0  | 2    | Dado                  | Nut                        | Ecrou                        | Mutter             |                              |
| 6    | 22430309/0  | 1    | Molla Guida           | Guide Spring               | Ressort De Guide             | Feder Führer       |                              |
| 7    | 12154330/0  | 1    | Dado                  | Nut                        | Ecrou                        | Mutter             |                              |
| 8    | 81000757/0  | 1    | Cavo Freno Motore     | Cable, Thread Engine Brake | Cable Frein Moteur           | Kabel, Motorbremse | (B&S 675 Series)             |
| 8    | 81000634/0  | 1    | Cavo Freno Motore     | Cable, Thread Engine Brake | Cable Frein Moteur           | Kabel, Motorbremse | 534 Tr/E (B&S 675 Series Es) |
| 8    | 181030006/0 | 1    | Cavo Freno Motore     | Cable, Thread Engine Brake | Cable Frein Moteur           | Kabel, Motorbremse | (B&S 700 Series)             |
| 8    | 81000616/1  | 1    | Cavo Freno Motore     | Cable, Thread Engine Brake | Cable Frein Moteur           | Kabel, Motorbremse | (Honda)                      |
| 8    | 81000616/1  | 1    | Cavo Freno Motore     | Cable, Thread Engine Brake | Cable Frein Moteur           | Kabel, Motorbremse | (Ggp 160cc)                  |
| 8    | 81000616/1  | 1    | Cavo Freno Motore     | Cable, Thread Engine Brake | Cable Frein Moteur           | Kabel, Motorbremse | (Ggp 196cc)                  |
| 9    | 81003291/3  | 1    | Leva Freno Motore     | Lever, Engine Brake        | Levier Frein Moteur          | Hebel, Motorbremse |                              |
| 10   | 22041966/0  | 2    | Bussola               | Bush                       | Douille                      | Buchse             |                              |
| 11   | 81000673/0  | 1    | Cavo Comando Trazione | Cable, Rear Drive          | Câble, Commande Traction     | Kabel, Antrieb     | (Bi Ci Di)                   |
| 11   | 81000669/0  | 1    | Cavo Comando Trazione | Cable, Rear Drive          | Câble, Commande Traction     | Kabel, Antrieb     | (General Transmission)       |



| POS. | CODE        | Q.TY | DESCRIZIONE                      | DESCRIPTION               | DESCRIPTION               | BESCHREIBUNG            | REMARKS                          |
|------|-------------|------|----------------------------------|---------------------------|---------------------------|-------------------------|----------------------------------|
| 12   | 22291050/0  | 1    | Impugnatura Manico Nera          | Handgrip Black            | Poignée Noire             | Handgriff Schwarz       |                                  |
| 13   | 81003288/1  | 1    | Leva Trazione                    | Lever, Driving            | Levier Traction           | Hebel, Antrieb          |                                  |
| 14   | 22041965/1  | 2    | Bussola                          | Bush                      | Douille                   | Buchse                  |                                  |
| 15   | 81007091/0  | 1    | Cavo Acceleratore                | Throttle Cable            | Cable, Accelérateur       | Gashebel Kabel          | (B&S)                            |
| 15   | 81007092/0  | 1    | Cavo Acceleratore                | Throttle Cable            | Cable, Accelérateur       | Gashebel Kabel          | (Honda - GGP)                    |
| 16   | 22399801/0  | 1    | Manopolina                       | Knob                      | Poignée                   | Griff                   |                                  |
| 17   | 12726388/0  | 1    | Vite                             | Screw                     | Vis                       | Schraube                |                                  |
| 18   | 12290800/0  | 1    | Dado                             | Nut                       | Ecrou                     | Mutter                  |                                  |
| 19   | 12728460/0  | 1    | Vite                             | Screw                     | Vis                       | Schraube                |                                  |
| 20   | 22943006/0  | 1    | Vite                             | Screw                     | Vis                       | Schraube                |                                  |
| 21   | 81008499/1  | 1    | Dotazione Viteria Cru-<br>scotto | Outfit, Dash-Board Screws | Dotation Visserie Console | Satz, Konsole Schrauben |                                  |
| 22   | 22120148/0  | 1    | Cruscotto Giallo                 | Dash Board Yellow         | Console Jaune             | Konsole Gelbe           |                                  |
| 22   | 22120150/0  | 1    | Cruscotto Rosso                  | Dash Board Red            | Console Rouge             | Konsole Rote            |                                  |
| 22   | 22120164/0  | 1    | Cruscotto Nero                   | Dash Board Black          | Console Noire             | Konsole Schwarze        |                                  |
| 23   | 114356795/1 | 1    | Etichetta                        | Label                     | Etiquette                 | Etikette                | (B&S)                            |
| 23   | 114357651/1 | 1    | Etichetta                        | Label                     | Etiquette                 | Etikette                | (B&S 700 series DOV)             |
| 23   | 114356797/1 | 1    | Etichetta                        | Label                     | Etiquette                 | Etikette                | (Honda)                          |
| 23   | 114357651/1 | 1    | Etichetta                        | Label                     | Etiquette                 | Etikette                | (Honda GCV 160-190<br>Autochoke) |
| 24   | 12788910/0  | 2    | Vite                             | Screw                     | Vis                       | Schraube                |                                  |
| 25   | 12523020/0  | 2    | Rosetta                          | Washer                    | Rondelle                  | Scheibe                 |                                  |
| 26   | 12581500/0  | 2    | Grower                           | Grower                    | Grower                    | Federring               |                                  |
| 27   | 12291000/0  | 2    | Dado                             | Nut                       | Ecrou                     | Mutter                  |                                  |
| 28   | 81008610/0  | 1    | Dotazione Viteria                | Outfit, Screws            | Dotation Visserie         | Satz, Schrauben         |                                  |

# NP 534

TR

TR-E

TR 3S

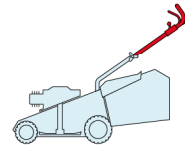
TR-E 3S

W  
TR

W  
TR-E

W  
TR 3S

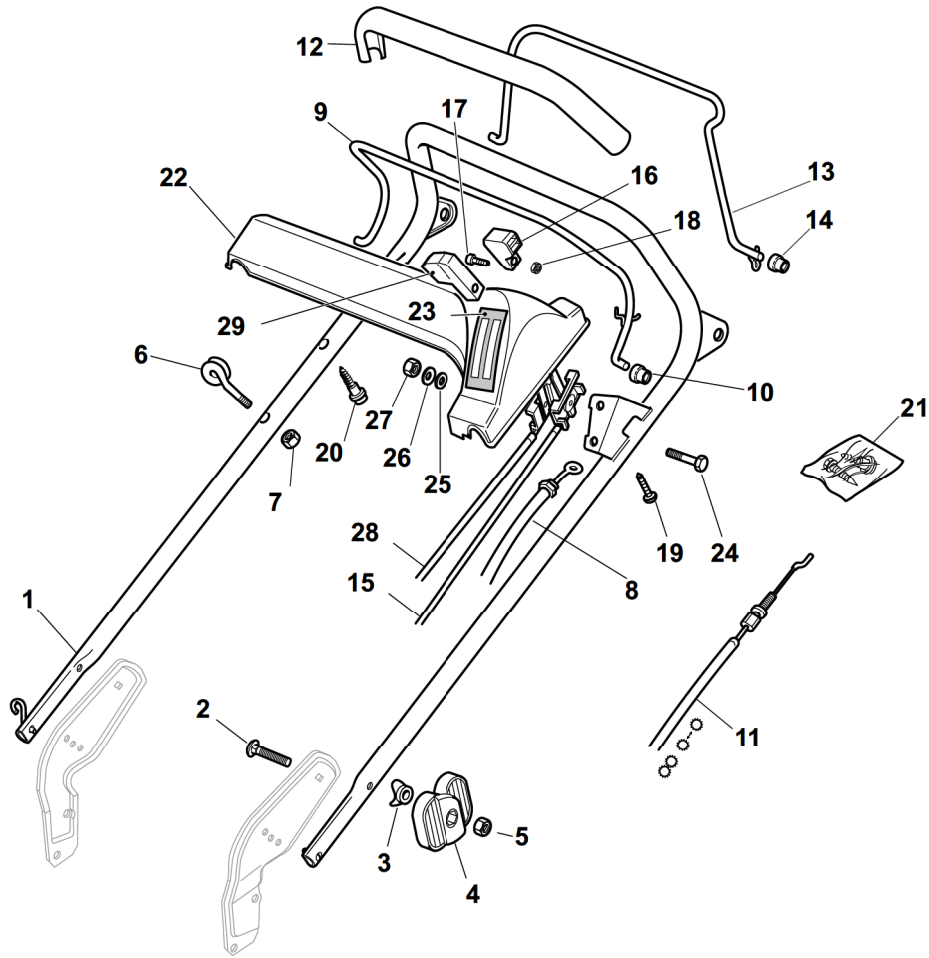
W  
TR-E 3S



2009

54\_011

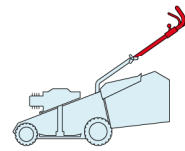
1 / 2



| POS. | CODE       | Q.TY | DESCRIZIONE             | DESCRIPTION                | DESCRIPTION                  | BESCHREIBUNG       | REMARKS       |
|------|------------|------|-------------------------|----------------------------|------------------------------|--------------------|---------------|
| 1    | 81007028/1 | 1    | Manico, Parte Sup       | Handle, Upper Part         | Mancheron, Partie Supérieure | Holm, Oberteil     |               |
| 2    | 12819120/0 | 2    | Vite                    | Screw                      | Vis                          | Schraube           |               |
| 3    | 22680006/1 | 2    | Rosetta                 | Washer                     | Rondelle                     | Scheibe            |               |
| 4    | 22399803/0 | 2    | Manopolina              | Knob                       | Poignée                      | Griff              |               |
| 5    | 12293200/0 | 2    | Dado                    | Nut                        | Ecrou                        | Mutter             |               |
| 6    | 22430309/0 | 1    | Molla Guida             | Guide Spring               | Ressort De Guide             | Feder Führer       |               |
| 7    | 12154330/0 | 1    | Dado                    | Nut                        | Ecrou                        | Mutter             |               |
| 8    | 81000631/0 | 1    | Cavo Freno Motore       | Cable, Thread Engine Brake | Cable Frein Moteur           | Kabel, Motorbremse | (B&S)         |
| 8    | 81000616/1 | 1    | Cavo Freno Motore       | Cable, Thread Engine Brake | Cable Frein Moteur           | Kabel, Motorbremse | (Honda)       |
| 8    | 81000634/0 | 1    | Cavo Freno Motore       | Cable, Thread Engine Brake | Cable Frein Moteur           | Kabel, Motorbremse | (Ggp 200cc)   |
| 9    | 81003291/3 | 1    | Leva Freno Motore       | Lever, Engine Brake        | Levier Frein Moteur          | Hebel, Motorbremse |               |
| 10   | 22041966/0 | 2    | Bussola                 | Bush                       | Douille                      | Buchse             |               |
| 11   | 81000670/0 | 1    | Cavo Comando Trazione   | Cable, Rear Drive          | Câble, Commande Traction     | Kabel, Antrieb     |               |
| 12   | 22291050/0 | 1    | Impugnatura Manico Nera | Handgrip Black             | Poignée Noire                | Handgriff Schwarz  |               |
| 13   | 81003288/1 | 1    | Leva Trazione           | Lever, Driving             | Levier Traction              | Hebel, Antrieb     |               |
| 14   | 22041965/1 | 2    | Bussola                 | Bush                       | Douille                      | Buchse             |               |
| 15   | 81007091/0 | 1    | Cavo Acceleratore       | Throttle Cable             | Cable, Accelérateur          | Gashebel Kabel     | (B&S)         |
| 15   | 81007092/0 | 1    | Cavo Acceleratore       | Throttle Cable             | Cable, Accelérateur          | Gashebel Kabel     | (Honda - Ggp) |
| 16   | 22399801/0 | 1    | Manopolina              | Knob                       | Poignée                      | Griff              |               |
| 17   | 12726388/0 | 2    | Vite                    | Screw                      | Vis                          | Schraube           |               |

| POS. | CODE        | Q.TY | DESCRIZIONE                 | DESCRIPTION                | DESCRIPTION                      | BESCHREIBUNG            | REMARKS                       |
|------|-------------|------|-----------------------------|----------------------------|----------------------------------|-------------------------|-------------------------------|
| 18   | 12290800/0  | 2    | Dado                        | Nut                        | Ecrou                            | Mutter                  |                               |
| 19   | 12728460/0  | 1    | Vite                        | Screw                      | Vis                              | Schraube                |                               |
| 20   | 22943006/0  | 1    | Vite                        | Screw                      | Vis                              | Schraube                |                               |
| 21   | 81008499/1  | 1    | Dotazione Viteria Cruscotto | Outfit, Dash-Board Screws  | Dotation Visserie Consolle       | Satz, Konsole Schrauben |                               |
| 22   | 22120148/0  | 1    | Cruscotto Giallo            | Dash Board Yellow          | Console Jaune                    | Konsole Gelbe           |                               |
| 22   | 22120150/0  | 1    | Cruscotto Rosso             | Dash Board Red             | Console Rouge                    | Konsole Rote            |                               |
| 22   | 22120164/0  | 1    | Cruscotto Nero              | Dash Board Black           | Console Noire                    | Konsole Schwarze        |                               |
| 23   | 14356693/0  | 1    | Etichetta                   | Label                      | Etiquette                        | Etikette                | (B&S)                         |
| 23   | 114357387/0 | 1    | Etichetta                   | Label                      | Etiquette                        | Etikette                | (B&S 700 series DOV)          |
| 23   | 14356692/0  | 1    | Etichetta                   | Label                      | Etiquette                        | Etikette                | (Honda)                       |
| 23   | 114357387/0 | 1    | Etichetta                   | Label                      | Etiquette                        | Etikette                | (Honda GCV 160-190 Autochoke) |
| 24   | 12788910/0  | 2    | Vite                        | Screw                      | Vis                              | Schraube                |                               |
| 25   | 12523020/0  | 2    | Rosetta                     | Washer                     | Rondelle                         | Scheibe                 |                               |
| 26   | 12581500/0  | 2    | Grower                      | Grower                     | Grower                           | Federring               |                               |
| 27   | 12291000/0  | 2    | Dado                        | Nut                        | Ecrou                            | Mutter                  |                               |
| 28   | 81007099/0  | 1    | Cavo Comando Marce          | Cable, Speed Drive Control | Cable, Comm. Change-ment Vitesse | Kabel, Gängeschaltun    |                               |
| 29   | 22399802/0  | 1    | Manopolina                  | Knob                       | Poignée                          | Griff                   |                               |

# NP 534

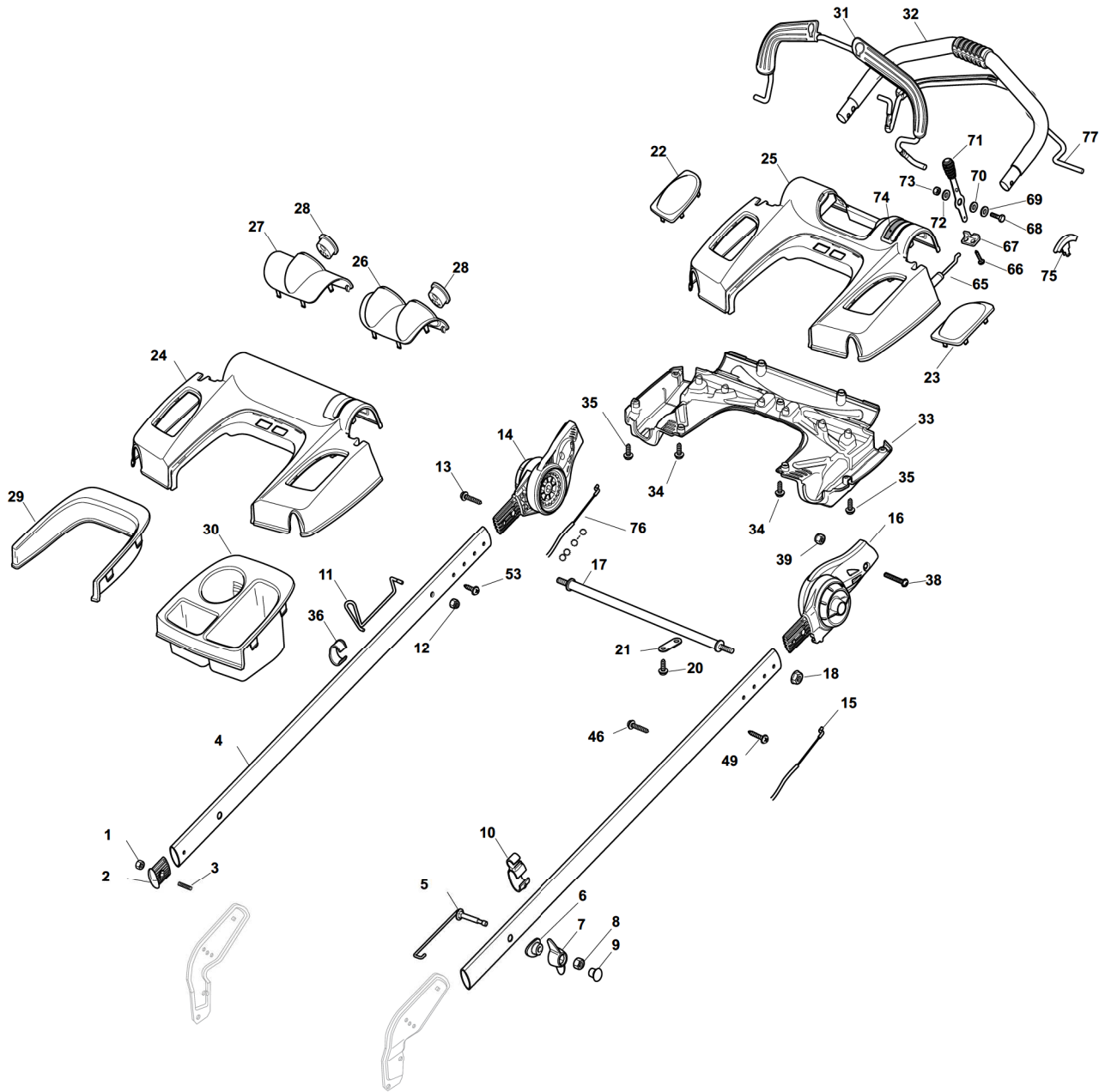


2009

54\_012

1 / 2

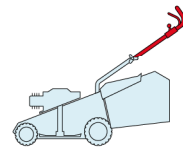
|    |      |       |         |         |           |            |              |
|----|------|-------|---------|---------|-----------|------------|--------------|
| TR | TR-E | TR 3S | TR-E 3S | W<br>TR | W<br>TR-E | W<br>TR 3S | W<br>TR-E 3S |
|----|------|-------|---------|---------|-----------|------------|--------------|



| POS. | CODE        | Q.TY | DESCRIZIONE | DESCRIPTION | DESCRIPTION    | BESCHREIBUNG     | REMARKS |
|------|-------------|------|-------------|-------------|----------------|------------------|---------|
| 1    | 12154510/0  | 2    | Dado        | Nut         | Ecrou          | Mutter           |         |
| 2    | 22820071/0  | 2    | Puntale     | Cap         | Bouchon        | Gummistopfen     |         |
| 3    | 12789450/0  | 2    | Vite        | Screw       | Vis            | Schraube         |         |
| 4    | 322498105/1 | 2    | Manico      | Handle      | Mancheron      | Holm             |         |
| 5    | 381003805/0 | 2    | Molla Guida | Spring      | Ressort        | Feder            |         |
| 6    | 22680012/0  | 2    | Rosetta     | Washer      | Rondelle       | Scheibe          |         |
| 7    | 22399821/0  | 2    | Manopolina  | Knob        | Poignée        | Griff            |         |
| 8    | 12293200/0  | 2    | Dado        | Nut         | Ecrou          | Mutter           |         |
| 9    | 322820072/1 | 2    | Tappo       | Cap         | Bouchon        | Stopfen          |         |
| 10   | 22192003/0  | 1    | Fermacavo   | Fairlead    | Fixation Cable | Kabelbefestigung |         |
| 11   | 122430316/1 | 1    | Molla Guida | Spring      | Ressort        | Feder            |         |
| 12   | 12154330/0  | 1    | Dado        | Nut         | Ecrou          | Mutter           |         |
| 13   | 112728698/0 | 1    | Vite        | Screw       | Vis            | Schraube         |         |

| POS. | CODE        | Q.TY | DESCRIZIONE                | DESCRIPTION                | DESCRIPTION              | BESCHREIBUNG        | REMARKS                       |
|------|-------------|------|----------------------------|----------------------------|--------------------------|---------------------|-------------------------------|
| 14   | 381745003/0 | 1    | Snodo                      | Joint                      | Joint                    | Gelenk              |                               |
| 15   | 181030019/1 | 1    | Cavo Freno Motore          | Cable, Thread Engine Brake | Cable Frein Moteur       | Kabel, Motorbremse  | (B&S 625-675 Series)          |
| 15   | 181030032/0 | 1    | Cavo Freno Motore          | Cable, Thread Engine Brake | Cable Frein Moteur       | Kabel, Motorbremse  | (B&S 700 Series)              |
| 15   | 181030019/1 | 1    | Cavo Freno Motore          | Cable, Thread Engine Brake | Cable Frein Moteur       | Kabel, Motorbremse  | (Ggp 140cc)                   |
| 15   | 181030019/1 | 1    | Cavo Freno Motore          | Cable, Thread Engine Brake | Cable Frein Moteur       | Kabel, Motorbremse  | (Ggp 160cc)                   |
| 15   | 181030019/1 | 1    | Cavo Freno Motore          | Cable, Thread Engine Brake | Cable Frein Moteur       | Kabel, Motorbremse  | (Ggp 196cc)                   |
| 15   | 181030018/0 | 1    | Cavo Freno Motore          | Cable, Thread Engine Brake | Cable Frein Moteur       | Kabel, Motorbremse  | (Honda)                       |
| 16   | 381745004/0 | 1    | Snodo                      | Joint                      | Joint                    | Gelenk              |                               |
| 17   | 122608537/1 | 1    | Rinforzo                   | Stiffening                 | Renforcement             | Verstaerkung        |                               |
| 18   | 12293201/0  | 2    | Dado                       | Nut                        | Ecrou                    | Mutter              |                               |
| 20   | 12728691/0  | 2    | Vite                       | Screw                      | Vis                      | Schraube            |                               |
| 21   | 322981471/0 | 2    | Piastrina                  | Plate                      | Plaque                   | Platte              |                               |
| 22   | 322557155/1 | 1    | Coperchio                  | Cover                      | Couvercle                | Deckel              |                               |
| 23   | 322557156/1 | 1    | Coperchio                  | Cover                      | Couvercle                | Deckel              |                               |
| 24   | 322120184/2 | 1    | Cruscotto                  | Dash Board                 | Console                  | Konsole             |                               |
| 25   | 322120185/2 | 1    | Cruscotto                  | Dash Board                 | Console                  | Konsole             |                               |
| 26   | 322109542/1 | 1    | Coperchio                  | Cover                      | Couvercle                | Deckel              |                               |
| 27   | 322109541/1 | 1    | Coperchio                  | Cover                      | Couvercle                | Deckel              |                               |
| 28   | 122480000/1 | 1    | Orologio                   | Clock                      | Montre                   | Uhr                 |                               |
| 29   | 322109543/1 | 1    | Protezione                 | Protection                 | Protection               | Schutz              |                               |
| 30   | 322109540/1 | 1    | Vaschette Portaoggetti     | Tray                       | Bac De Rangement         | Ablage              |                               |
| 31   | 81003325/0  | 1    | Leva Freno Motore          | Lever, Engine Brake        | Levier Frein Moteur      | Hebel, Motorbremse  |                               |
| 32   | 381006670/1 | 1    | Impugnatura Manico         | Handgrip                   | Poignée                  | Handgriff           |                               |
| 33   | 322109547/0 | 1    | Coperchio                  | Cover                      | Couvercle                | Deckel              |                               |
| 34   | 112728706/0 | 2    | Vite                       | Screw                      | Vis                      | Schraube            |                               |
| 35   | 112728695/0 | 7    | Vite                       | Screw                      | Vis                      | Schraube            |                               |
| 36   | 322192004/0 | 1    | Fascetta                   | Anchor Clamp               | Collier Ancre            | Bowdenzughalter     |                               |
| 38   | 112727799/0 | 2    | Vite                       | Screw                      | Vis                      | Schraube            |                               |
| 39   | 12154510/0  | 2    | Dado                       | Nut                        | Ecrou                    | Mutter              |                               |
| 46   | 12728526/0  | 1    | Vite                       | Screw                      | Vis                      | Schraube            |                               |
| 49   | 112728698/0 | 1    | Vite                       | Screw                      | Vis                      | Schraube            |                               |
| 53   | 12728526/0  | 1    | Vite                       | Screw                      | Vis                      | Schraube            |                               |
| 65   | 81007160/0  | 1    | Cavo Acceleratore          | Throttle Cable             | Cable, Accelérateur      | Gashebel Kabel      |                               |
| 66   | 12735105/0  | 2    | Vite                       | Screw                      | Vis                      | Schraube            |                               |
| 67   | 22981467/0  | 1    | Piastrina                  | Plate                      | Plaque                   | Platte              |                               |
| 68   | 12791500/0  | 1    | Vite                       | Screw                      | Vis                      | Schraube            |                               |
| 69   | 12530060/0  | 1    | Rosetta                    | Washer                     | Rondelle                 | Scheibe             |                               |
| 70   | 12523040/0  | 1    | Rosetta                    | Washer                     | Rondelle                 | Scheibe             |                               |
| 71   | 381007225/1 | 1    | Leva, Acceleratore - Nera  | Lever, Throttle            | Levier,                  | Hebel, Beshleuniger |                               |
| 71   | 381007222/1 | 1    | Leva, Acceleratore - Rossa | Lever, Throttle            | Levier,                  | Hebel, Beshleuniger |                               |
| 72   | 12523040/0  | 1    | Rosetta                    | Washer                     | Rondelle                 | Scheibe             |                               |
| 73   | 12154510/0  | 1    | Dado                       | Nut                        | Ecrou                    | Mutter              |                               |
| 74   | 114361912/1 | 1    | Etichetta                  | Label                      | Etiquette                | Etikette            | (B&S)                         |
| 74   | 114362568/0 | 1    | Etichetta                  | Label                      | Etiquette                | Etikette            | (B&S 700 series DOV)          |
| 74   | 114361913/1 | 1    | Etichetta                  | Label                      | Etiquette                | Etikette            | (Honda)                       |
| 74   | 114362568/0 | 1    | Etichetta                  | Label                      | Etiquette                | Etikette            | (Honda GCV 160-190 Autochoke) |
| 74   | 114362229/1 | 1    | Etichetta                  | Label                      | Etiquette                | Etikette            | (Ggp)                         |
| 74   | 114362230/1 | 1    | Etichetta                  | Label                      | Etiquette                | Etikette            | AVS (Ggp 196 cc)              |
| 75   | 22557160/0  | 1    | Tappo                      | Cap                        | Bouchon                  | Gummistopfen        |                               |
| 76   | 381030015/0 | 1    | Cavo Comando Trazione      | Cable, Rear Drive          | Câble, Commande Traction | Kabel, Antrieb      | (Bi Ci Di)                    |
| 76   | 381030023/0 | 1    | Cavo Comando Trazione      | Cable, Rear Drive          | Câble, Commande Traction | Kabel, Antrieb      | (General Transmission)        |
| 77   | 381003328/0 | 1    | Leva Trazione              | Lever, Driving             | Levier Traction          | Hebel, Antrieb      |                               |

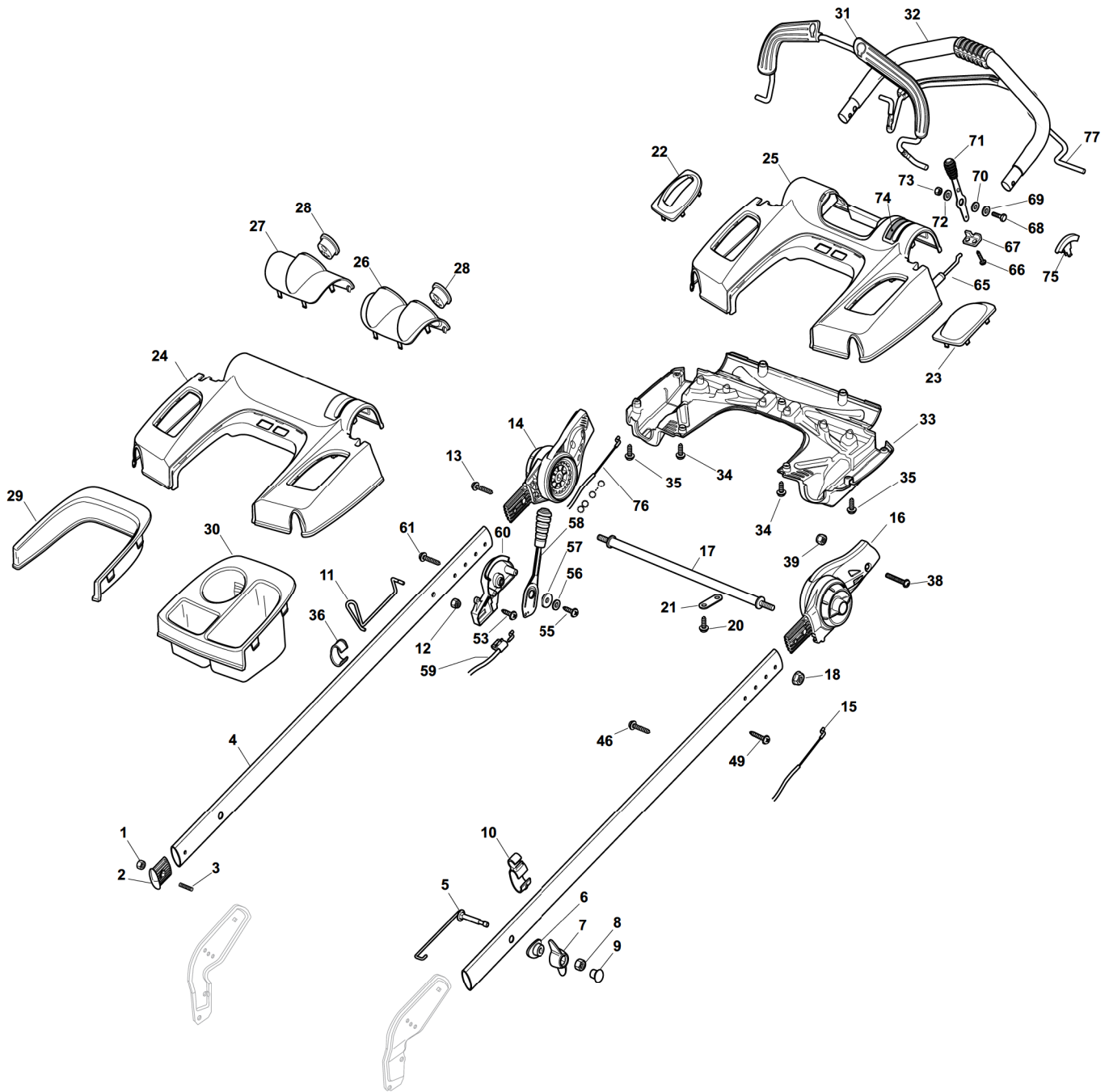
# NP 534



2009

54\_013

1 / 3



| POS. | CODE        | Q.TY | DESCRIZIONE | DESCRIPTION | DESCRIPTION    | BESCHREIBUNG     | REMARKS |
|------|-------------|------|-------------|-------------|----------------|------------------|---------|
| 1    | 12154510/0  | 2    | Dado        | Nut         | Ecrou          | Mutter           |         |
| 2    | 22820071/0  | 2    | Puntale     | Cap         | Bouchon        | Gummistopfen     |         |
| 3    | 12789450/0  | 2    | Vite        | Screw       | Vis            | Schraube         |         |
| 4    | 322498105/1 | 2    | Manico      | Handle      | Mancheron      | Holm             |         |
| 5    | 381003805/0 | 2    | Molla Guida | Spring      | Ressort        | Feder            |         |
| 6    | 22680012/0  | 2    | Rosetta     | Washer      | Rondelle       | Scheibe          |         |
| 7    | 22399821/0  | 2    | Manopolina  | Knob        | Poignée        | Griff            |         |
| 8    | 12293200/0  | 2    | Dado        | Nut         | Ecrou          | Mutter           |         |
| 9    | 322820072/1 | 2    | Tappo       | Cap         | Bouchon        | Stopfen          |         |
| 10   | 22192003/0  | 1    | Fermacavo   | Fairlead    | Fixation Cable | Kabelbefestigung |         |

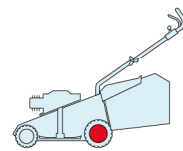


| POS. | CODE        | Q.TY | DESCRIZIONE                | DESCRIPTION                | DESCRIPTION                          | BESCHREIBUNG         | REMARKS              |
|------|-------------|------|----------------------------|----------------------------|--------------------------------------|----------------------|----------------------|
| 11   | 122430316/1 | 1    | Molla Guida                | Spring                     | Ressort                              | Feder                |                      |
| 12   | 12154330/0  | 1    | Dado                       | Nut                        | Ecrou                                | Mutter               |                      |
| 13   | 12728702/0  | 1    | Vite                       | Screw                      | Vis                                  | Schraube             |                      |
| 14   | 381745003/0 | 1    | Snodo                      | Joint                      | Joint                                | Gelenk               |                      |
| 15   | 181030019/1 | 1    | Cavo Freno Motore          | Cable, Thread Engine Brake | Cable Frein Moteur                   | Kabel, Motorbremse   | (B&S 625-675 Series) |
| 15   | 181030032/0 | 1    | Cavo Freno Motore          | Cable, Thread Engine Brake | Cable Frein Moteur                   | Kabel, Motorbremse   | (B&S 700 Series)     |
| 15   | 181030019/1 | 1    | Cavo Freno Motore          | Cable, Thread Engine Brake | Cable Frein Moteur                   | Kabel, Motorbremse   | (Ggp 140cc)          |
| 15   | 181030019/1 | 1    | Cavo Freno Motore          | Cable, Thread Engine Brake | Cable Frein Moteur                   | Kabel, Motorbremse   | (Ggp 160cc)          |
| 15   | 181030019/1 | 1    | Cavo Freno Motore          | Cable, Thread Engine Brake | Cable Frein Moteur                   | Kabel, Motorbremse   | (Ggp 196cc)          |
| 15   | 181030018/0 | 1    | Cavo Freno Motore          | Cable, Thread Engine Brake | Cable Frein Moteur                   | Kabel, Motorbremse   | (Honda)              |
| 16   | 381745004/0 | 1    | Snodo                      | Joint                      | Joint                                | Gelenk               |                      |
| 17   | 122608537/1 | 1    | Rinforzo                   | Stiffening                 | Renforcement                         | Verstaerkung         |                      |
| 18   | 12293201/0  | 2    | Dado                       | Nut                        | Ecrou                                | Mutter               |                      |
| 20   | 12728691/0  | 2    | Vite                       | Screw                      | Vis                                  | Schraube             |                      |
| 21   | 322981471/0 | 2    | Piastrina                  | Plate                      | Plaque                               | Platte               |                      |
| 22   | 322557159/1 | 1    | Coperchio                  | Cover                      | Couvercle                            | Deckel               |                      |
| 23   | 322557156/1 | 1    | Coperchio                  | Cover                      | Couvercle                            | Deckel               |                      |
| 24   | 322120184/2 | 1    | Cruscotto                  | Dash Board                 | Console                              | Konsole              |                      |
| 25   | 322120185/2 | 1    | Cruscotto                  | Dash Board                 | Console                              | Konsole              |                      |
| 26   | 322109542/1 | 1    | Coperchio                  | Cover                      | Couvercle                            | Deckel               |                      |
| 27   | 322109541/1 | 1    | Coperchio                  | Cover                      | Couvercle                            | Deckel               |                      |
| 28   | 122480000/1 | 1    | Orologio                   | Clock                      | Montre                               | Uhr                  |                      |
| 29   | 322109543/1 | 1    | Protezione                 | Protection                 | Protection                           | Schutz               |                      |
| 30   | 322109540/1 | 1    | Vaschette Portaoggetti     | Tray                       | Bac De Rangement                     | Ablage               |                      |
| 31   | 81003325/0  | 1    | Leva Freno Motore          | Lever, Engine Brake        | Levier Frein Moteur                  | Hebel, Motorbremse   |                      |
| 32   | 381006670/1 | 1    | Impugnatura Manico         | Handgrip                   | Poignée                              | Handgriff            |                      |
| 33   | 322109547/0 | 1    | Coperchio                  | Cover                      | Couvercle                            | Deckel               |                      |
| 34   | 112728706/0 | 2    | Vite                       | Screw                      | Vis                                  | Schraube             |                      |
| 35   | 112728695/0 | 7    | Vite                       | Screw                      | Vis                                  | Schraube             |                      |
| 36   | 322192004/0 | 1    | Fascetta                   | Anchor Clamp               | Collier Ancrage                      | Bowdenzughalter      |                      |
| 38   | 112727799/0 | 2    | Vite                       | Screw                      | Vis                                  | Schraube             |                      |
| 39   | 12154510/0  | 2    | Dado                       | Nut                        | Ecrou                                | Mutter               |                      |
| 46   | 12728526/0  | 1    | Vite                       | Screw                      | Vis                                  | Schraube             |                      |
| 49   | 112728698/0 | 1    | Vite                       | Screw                      | Vis                                  | Schraube             |                      |
| 53   | 12728527/0  | 1    | Vite                       | Screw                      | Vis                                  | Schraube             |                      |
| 55   | 12728686/0  | 1    | Vite                       | Screw                      | Vis                                  | Schraube             |                      |
| 56   | 12523020/0  | 1    | Rosetta                    | Washer                     | Rondelle                             | Scheibe              |                      |
| 57   | 22680013/0  | 1    | Rondella                   | Washer                     | Rondelle                             | Scheibe              |                      |
| 58   | 381007226/1 | 1    | Leva Trazione, Nera        | Lever, Driving             | Levier Traction                      | Hebel, Antrieb       |                      |
| 59   | 81000738/0  | 1    | Cavo Comando Marce         | Cable, Speed Drive Control | Cable, Comm. Change-<br>ment Vitesse | Kabel, Gängeschaltun |                      |
| 60   | 22785233/0  | 1    | Supporto                   | Support                    | Support                              | Halter               |                      |
| 65   | 81007160/0  | 1    | Cavo Acceleratore          | Throttle Cable             | Cable, Accelérateur                  | Gashebel Kabel       |                      |
| 66   | 12735105/0  | 2    | Vite                       | Screw                      | Vis                                  | Schraube             |                      |
| 67   | 22981467/0  | 1    | Piastrina                  | Plate                      | Plaque                               | Platte               |                      |
| 68   | 12791500/0  | 1    | Vite                       | Screw                      | Vis                                  | Schraube             |                      |
| 69   | 12530060/0  | 1    | Rosetta                    | Washer                     | Rondelle                             | Scheibe              |                      |
| 70   | 12523040/0  | 1    | Rosetta                    | Washer                     | Rondelle                             | Scheibe              |                      |
| 72   | 381007225/1 | 1    | Leva, Acceleratore - Nera  | Lever, Throttle            | Levier,                              | Hebel, Beschleuniger |                      |
| 72   | 381007222/1 | 1    | Leva, Acceleratore - Rossa | Lever, Throttle            | Levier,                              | Hebel, Beschleuniger |                      |
| 72   | 12523040/0  | 1    | Rosetta                    | Washer                     | Rondelle                             | Scheibe              |                      |
| 74   | 12154510/0  | 1    | Dado                       | Nut                        | Ecrou                                | Mutter               |                      |

| POS. | CODE        | Q.TY | DESCRIZIONE           | DESCRIPTION       | DESCRIPTION              | BESCHREIBUNG   | REMARKS                       |
|------|-------------|------|-----------------------|-------------------|--------------------------|----------------|-------------------------------|
| 74   | 114361912/1 | 1    | Etichetta             | Label             | Etiquette                | Etikette       | (B&S)                         |
| 74   | 114362568/0 | 1    | Etichetta             | Label             | Etiquette                | Etikette       | (B&S 700 series DOV)          |
| 74   | 114361913/1 | 1    | Etichetta             | Label             | Etiquette                | Etikette       | (Honda)                       |
| 74   | 114362568/0 | 1    | Etichetta             | Label             | Etiquette                | Etikette       | (Honda GCV 160-190 Autochoke) |
| 74   | 114362229/1 | 1    | Etichetta             | Label             | Etiquette                | Etikette       | (Ggp)                         |
| 74   | 114362230/1 | 1    | Etichetta             | Label             | Etiquette                | Etikette       | AVS (Ggp 196cc)               |
| 75   | 22557160/0  | 1    | Tappo                 | Cap               | Bouchon                  | Gummistopfen   |                               |
| 76   | 381030015/0 | 1    | Cavo Comando Trazione | Cable, Rear Drive | Câble, Commande Traction | Kabel, Antrieb | (Bi Ci Di)                    |
| 76   | 381030023/0 | 1    | Cavo Comando Trazione | Cable, Rear Drive | Câble, Commande Traction | Kabel, Antrieb | (General Transmission)        |
| 77   | 381003328/0 | 1    | Leva Trazione         | Lever, Driving    | Levier Traction          | Hebel, Antrieb |                               |

# NP 534

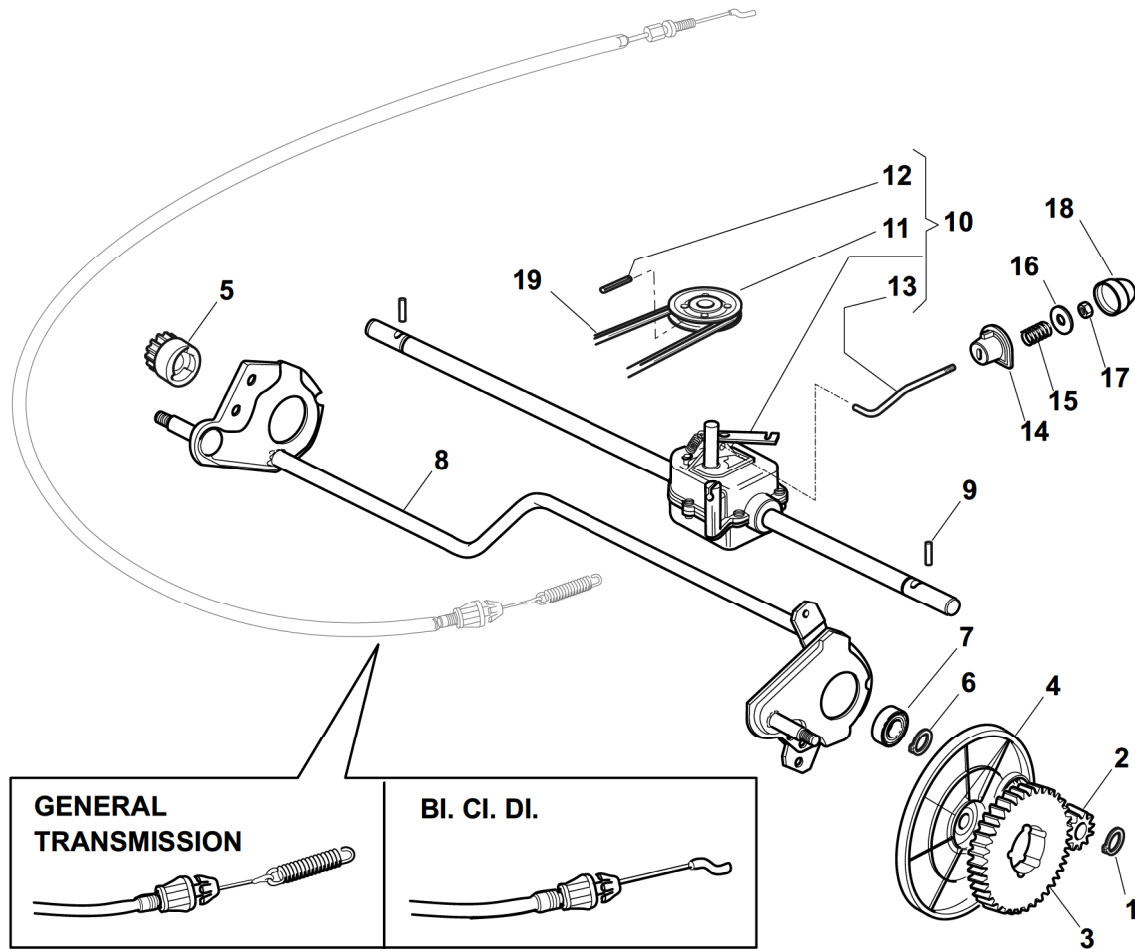
TR TR-E TR 3S TR-E 3S W TR W TR-E W TR 3S W TR-E 3S



2009

54\_014

1 / 1



| POS. | CODE       | Q.TY | DESCRIZIONE              | DESCRIPTION       | DESCRIPTION            | BESCHREIBUNG      | REMARKS                |
|------|------------|------|--------------------------|-------------------|------------------------|-------------------|------------------------|
| 1    | 12608600/0 | 2    | Seeger                   | Seeger            | Seeger                 | Seeger            |                        |
| 2    | 22570120/1 | 1    | Pignone Sx               | Pinion L          | Pignon G               | Ritzel Linkes     |                        |
| 3    | 22120105/1 | 2    | Corona                   | Ring Gear         | Couronne               | Kranz             |                        |
| 4    | 22600091/1 | 2    | Prot. Ruote              | Protection, Wheel | Protection Roue        | Schütz, Räder     |                        |
| 5    | 22570110/1 | 1    | Pignone Dx               | Pinion R          | Pignon D               | Ritzel Rechtes    |                        |
| 6    | 12608600/0 | 2    | Seeger                   | Seeger            | Seeger                 | Seeger            |                        |
| 7    | 19216035/0 | 2    | Cuscinetto               | Bearing           | Coussinet              | Lager             |                        |
| 8    | 81002811/0 | 1    | Asse Ruote Posteriori    | Axle, Rear Wheels | Axe Roues Arriere      | Achse, Hinterrad  |                        |
| 9    | 22753000/0 | 2    | Spina                    | Pin               | Goupille               | Stift             |                        |
| 10   | 81003082/1 | 1    | Gruppo Trazione (Grigio) | Gear Box (Grey)   | Groupe Traction (Gris) | Antrieb (Grau)    | (Bi Ci Di)             |
| 10   | 81003079/0 | 1    | Gruppo Trazione          | Gear Box          | Groupe Traction        | Antrieb           | (General Transmission) |
| 11   | 22601909/0 | 1    | Puleggia                 | Pulley            | Poulie                 | Riemenscheibe     |                        |
| 12   | 12645705/0 | 1    | Spina                    | Pin               | Goupille               | Stift             |                        |
| 13   | 22033281/0 | 1    | Asta Regolazione         | Adjustment Rod    | Tige Reglage           | Verstellungstange |                        |
| 14   | 22041957/1 | 1    | Bussola                  | Bush              | Douille                | Buchse            |                        |
| 15   | 22450063/0 | 1    | Molla                    | Spring            | Ressort                | Feder             |                        |
| 16   | 22680009/0 | 1    | Rosetta                  | Washer            | Rondelle               | Scheibe           |                        |
| 17   | 12154510/0 | 1    | Dado                     | Nut               | Ecrou                  | Mutter            |                        |
| 18   | 22110230/0 | 1    | Tappo                    | Cap               | Bouchon                | Gummistopfen      |                        |
| 19   | 35064195/0 | 1    | Cinghia Z 33             | Belt Z 33         | Courroie Z 33          | Riemen Z 33       |                        |

# NP 534

TR

TR-E

TR 3S

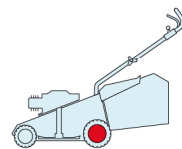
TR-E 3S

W  
TR

W  
TR-E

W  
TR 3S

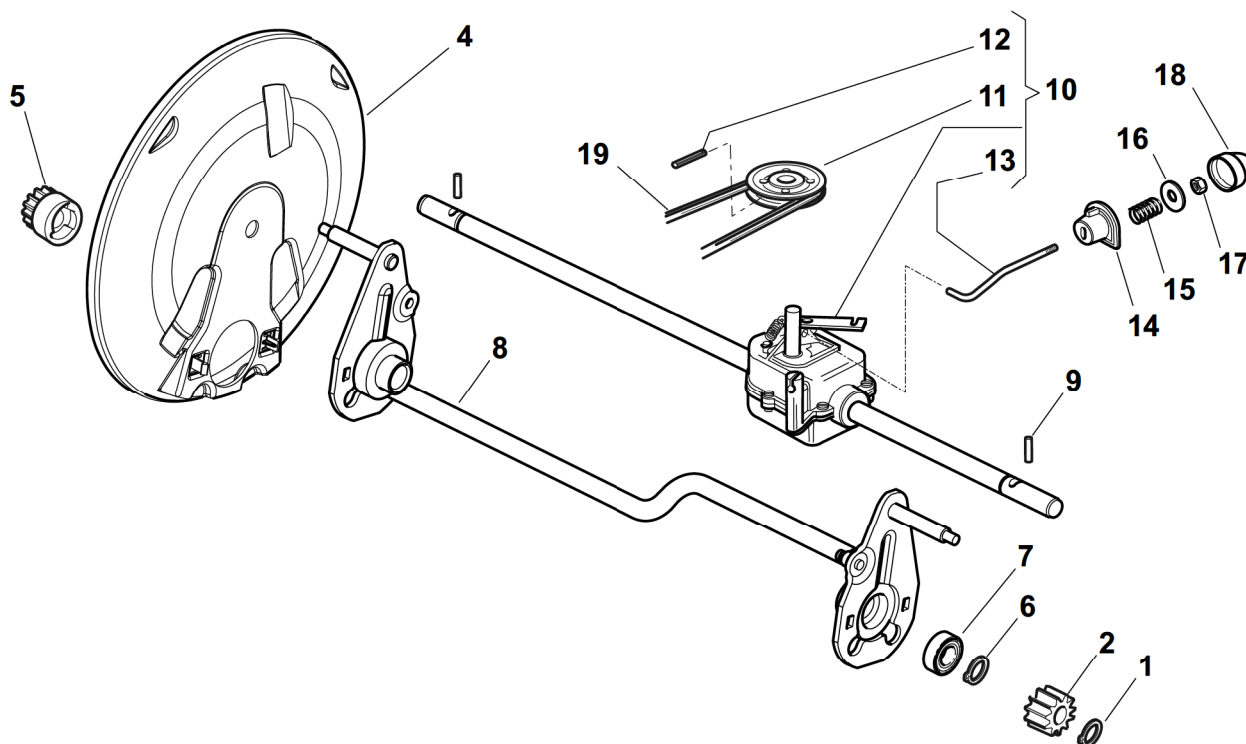
W  
TR-E 3S



2009

54\_015

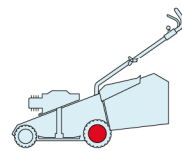
1 / 1



| POS. | CODE        | Q.TY | DESCRIZIONE           | DESCRIPTION       | DESCRIPTION       | BESCHREIBUNG      | REMARKS                |
|------|-------------|------|-----------------------|-------------------|-------------------|-------------------|------------------------|
| 1    | 12608600/0  | 2    | Seeger                | Seeger            | Seeger            | Seeger            |                        |
| 2    | 22570120/1  | 1    | Pignone Sx            | Pinion L          | Pignon G          | Ritzel Linkes     |                        |
| 4    | 22600091/1  | 2    | Prot. Ruote           | Protection, Wheel | Protection Roue   | Schütz, Räder     |                        |
| 5    | 22570110/1  | 1    | Pignone Dx            | Pinion R          | Pignon D          | Ritzel Rechtes    |                        |
| 6    | 12608600/0  | 2    | Seeger                | Seeger            | Seeger            | Seeger            |                        |
| 7    | 19216035/0  | 2    | Cuscinetto            | Bearing           | Coussinet         | Lager             |                        |
| 8    | 381002863/0 | 1    | Asse Ruote Posteriori | Axle, Rear Wheels | Axe Roues Arriere | Achse, Hinterrad  |                        |
| 9    | 22753000/0  | 2    | Spina                 | Pin               | Goupille          | Stift             |                        |
| 10   | 81003079/0  | 1    | Gruppo Trazione       | Gear Box          | Groupe Traction   | Antrieb           | (General Transmission) |
| 11   | 22601909/0  | 1    | Puleggia              | Pulley            | Poulie            | Riemenscheibe     |                        |
| 12   | 12645705/0  | 1    | Spina                 | Pin               | Goupille          | Stift             |                        |
| 13   | 22033281/0  | 1    | Asta Regolazione      | Adjustment Rod    | Tige Reglage      | Verstellungstange |                        |
| 14   | 22041957/1  | 1    | Bussola               | Bush              | Douille           | Buchse            |                        |
| 15   | 22450063/0  | 1    | Molla                 | Spring            | Ressort           | Feder             |                        |
| 16   | 22680009/0  | 1    | Rosetta               | Washer            | Rondelle          | Scheibe           |                        |
| 17   | 12154510/0  | 1    | Dado                  | Nut               | Ecrou             | Mutter            |                        |
| 18   | 22110230/0  | 1    | Tappo                 | Cap               | Bouchon           | Gummistopfen      |                        |
| 19   | 35064195/0  | 1    | Cinghia Z 33          | Belt Z 33         | Courroie Z 33     | Riemen Z 33       |                        |

# NP 534

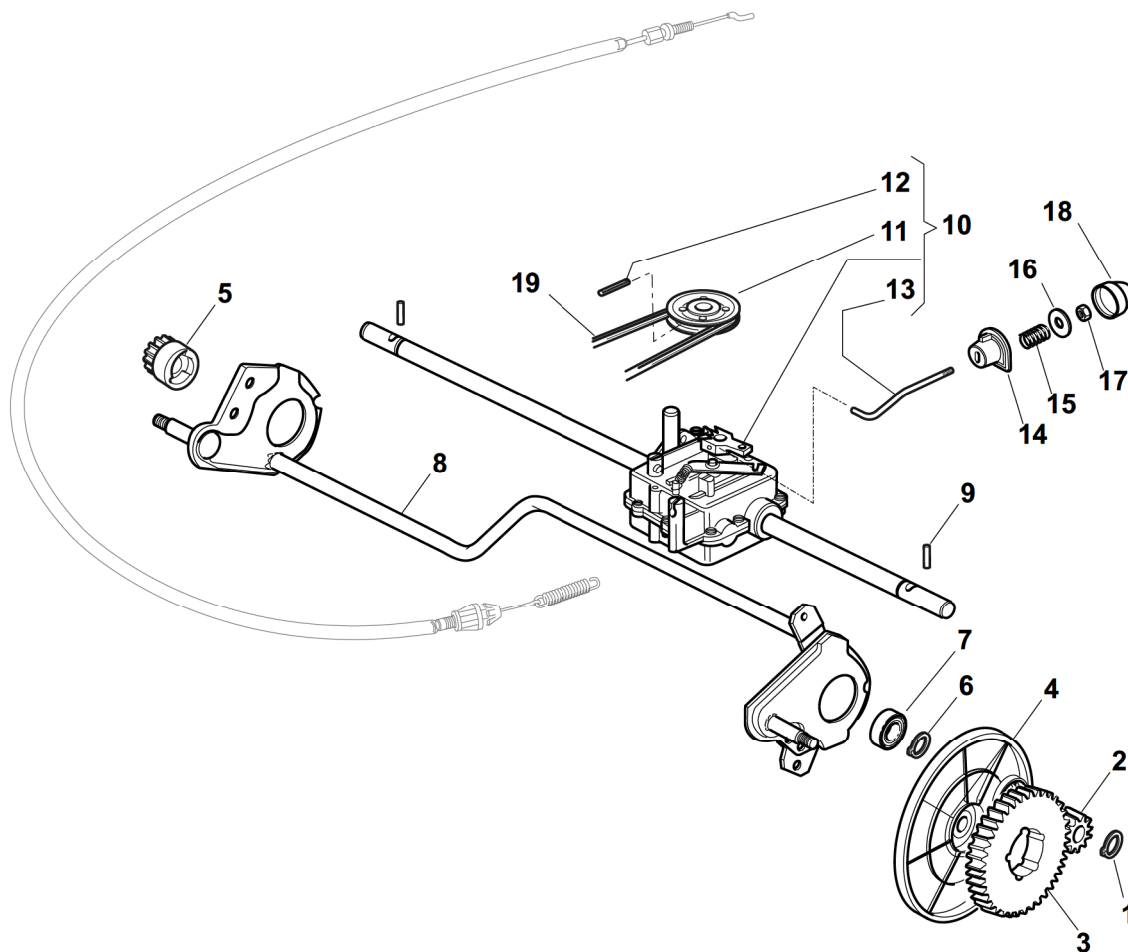
TR TR-E TR 3S TR-E 3S W TR W TR-E W TR 3S W TR-E 3S



2009

54\_016

1 / 1



| POS. | CODE       | Q.TY | DESCRIZIONE           | DESCRIPTION       | DESCRIPTION       | BESCHREIBUNG      | REMARKS    |
|------|------------|------|-----------------------|-------------------|-------------------|-------------------|------------|
| 1    | 12608600/0 | 2    | Seeger                | Seeger            | Seeger            | Seeger            |            |
| 2    | 22570120/1 | 1    | Pignone Sx            | Pinion L          | Pignon G          | Ritzel Linkes     |            |
| 3    | 22120105/1 | 2    | Corona                | Ring Gear         | Couronne          | Kranz             |            |
| 4    | 22600091/1 | 2    | Prot. Ruote           | Protection, Wheel | Protection Roue   | Schütz, Räder     |            |
| 5    | 22570110/1 | 1    | Pignone Dx            | Pinion R          | Pignon D          | Ritzel Rechtes    |            |
| 6    | 12608600/0 | 2    | Seeger                | Seeger            | Seeger            | Seeger            |            |
| 7    | 19216035/0 | 2    | Cuscinetto            | Bearing           | Coussinet         | Lager             |            |
| 8    | 81002811/0 | 1    | Asse Ruote Posteriori | Axle, Rear Wheels | Axe Roues Arriere | Achse, Hinterrad  |            |
| 9    | 22753000/0 | 2    | Spina                 | Pin               | Goupille          | Stift             |            |
| 10   | 81003080/0 | 1    | Gruppo Trazione       | Gear Box          | Groupe Traction   | Antrieb           |            |
| 11   | 22601908/0 | 1    | Puleggia              | Pulley            | Poulie            | Riemenscheibe     |            |
| 12   | 12645705/0 | 1    | Spina                 | Pin               | Goupille          | Stift             |            |
| 13   | 22033282/1 | 1    | Asta Regolazione      | Adjustment Rod    | Tige Reglage      | Verstellungstange |            |
| 14   | 22041957/1 | 1    | Bussola               | Bush              | Douille           | Buchse            |            |
| 15   | 22450063/0 | 1    | Molla                 | Spring            | Ressort           | Feder             |            |
| 16   | 22680009/0 | 1    | Rosetta               | Washer            | Rondelle          | Scheibe           |            |
| 17   | 12154510/0 | 1    | Dado                  | Nut               | Ecrou             | Mutter            |            |
| 18   | 22110230/0 | 1    | Tappo                 | Cap               | Bouchon           | Gummistopfen      |            |
| 19   | 35064197/0 | 1    | Cinghia               | Belt              | Courroire         | Riemen            | (Z Lp 885) |

# NP 534

TR

TR-E

TR 3S

TR-E 3S

W

TR

W

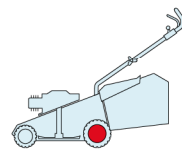
TR-E

W

TR 3S

W

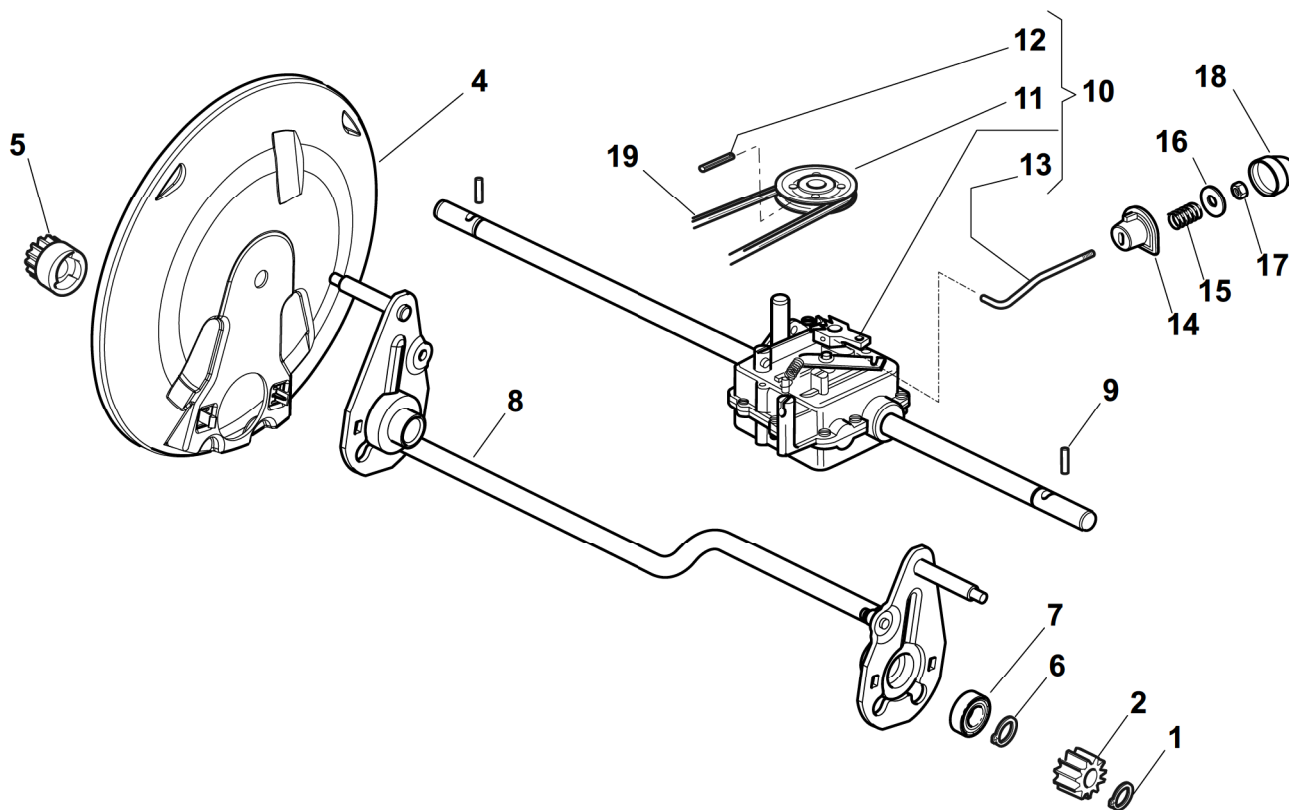
TR-E 3S



2009

54\_017

1 / 1

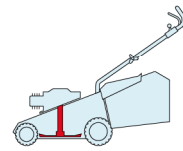


| POS. | CODE        | Q.TY | DESCRIZIONE           | DESCRIPTION       | DESCRIPTION       | BESCHREIBUNG      | REMARKS    |
|------|-------------|------|-----------------------|-------------------|-------------------|-------------------|------------|
| 1    | 12608600/0  | 2    | Seeger                | Seeger            | Seeger            | Seeger            |            |
| 2    | 22570120/1  | 1    | Pignone Sx            | Pinion L          | Pignon G          | Ritzel Linkes     |            |
| 4    | 22600091/1  | 2    | Prot. Ruote           | Protection, Wheel | Protection Roue   | Schütz, Räder     |            |
| 5    | 22570110/1  | 1    | Pignone Dx            | Pinion R          | Pignon D          | Ritzel Rechtes    |            |
| 6    | 12608600/0  | 2    | Seeger                | Seeger            | Seeger            | Seeger            |            |
| 7    | 19216035/0  | 2    | Cuscinetto            | Bearing           | Coussinet         | Lager             |            |
| 8    | 381002863/0 | 1    | Asse Ruote Posteriori | Axle, Rear Wheels | Axe Roues Arriere | Achse, Hinterrad  |            |
| 9    | 22753000/0  | 2    | Spina                 | Pin               | Goupille          | Stift             |            |
| 10   | 81003080/0  | 1    | Gruppo Trazione       | Gear Box          | Groupe Traction   | Antrieb           |            |
| 11   | 22601908/0  | 1    | Puleggia              | Pulley            | Poulie            | Riemenscheibe     |            |
| 12   | 12645705/0  | 1    | Spina                 | Pin               | Goupille          | Stift             |            |
| 13   | 22033282/1  | 1    | Asta Regolazione      | Adjustment Rod    | Tige Reglage      | Verstellungstange |            |
| 14   | 22041957/1  | 1    | Bussola               | Bush              | Douille           | Buchse            |            |
| 15   | 22450063/0  | 1    | Molla                 | Spring            | Ressort           | Feder             |            |
| 16   | 22680009/0  | 1    | Rosetta               | Washer            | Rondelle          | Scheibe           |            |
| 17   | 12154510/0  | 1    | Dado                  | Nut               | Ecrou             | Mutter            |            |
| 18   | 22110230/0  | 1    | Tappo                 | Cap               | Bouchon           | Gummistopfen      |            |
| 19   | 35064197/0  | 1    | Cinghia               | Belt              | Courroire         | Riemen            | (Z Lp 885) |



# NP 534

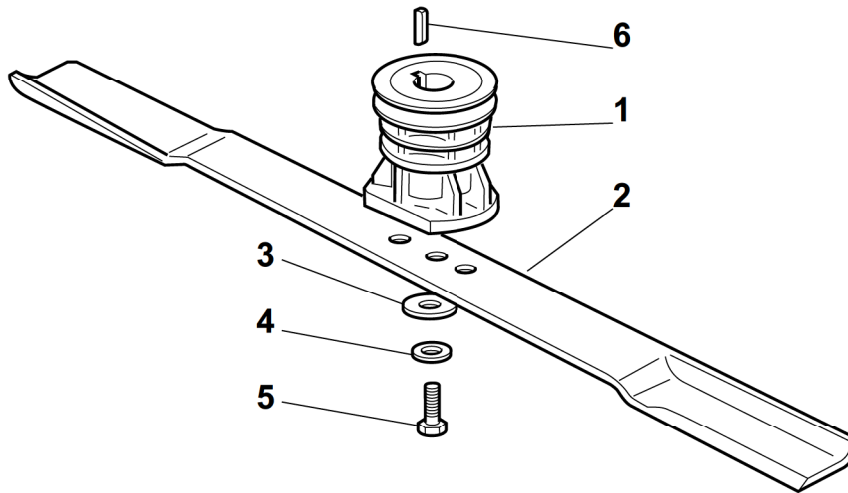
TR TR-E TR 3S TR-E 3S W TR W TR-E W TR 3S W TR-E 3S



2009

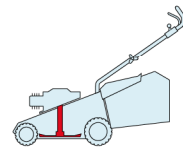
54\_018

1 / 1



| POS. | CODE        | Q.TY | DESCRIZIONE                              | DESCRIPTION                        | DESCRIPTION                            | BESCHREIBUNG                        | REMARKS |
|------|-------------|------|--|------------------------------------|--|-------------------------------------|---------|
| 1    | 22465607/2  | 1    | Mozzo Con Puleggia, Albero Motore Ø 22.2 | Hub With Pulley, Crankshaft Ø 22.2 | Moyeu Avec Poulie, Arbre Moteur Ø 22.2 | Nabe Mit Scheibe, Motorwelle Ø 22.2 |         |
| 1    | 122465608/1 | 1    | Mozzo Con Puleggia, Albero Motore Ø 25   | Hub With Pulley, Crankshaft Ø 25   | Moyeu Avec Poulie, Arbre Moteur Ø 25   | Nabe Mit Scheibe, Motorwelle Ø 25   |         |
| 2    | 81004381/1  | 1    | Coltello Standard                        | Blade Standard                     | Lame Standard                          | Messer Standard                     |         |
| 2    | 81004383/0  | 1    | Coltello, Avs                            | Blade, Avs                         | Lame, Avs                              | Messer, Avs                         |         |
| 3    | 22160400/0  | 1    | Disco Elastico                           | Elastic Washer                     | Rondelle Elastique                     | Elastischescheibe                   |         |
| 4    | 12523080/0  | 1    | Rosetta                                  | Washer                             | Rondelle                               | Scheibe                             |         |
| 5    | 12735698/0  | 1    | Vite                                     | Screw                              | Vis                                    | Schraube                            |         |
| 6    | 12139100/0  | 1    | Linguetta, Albero Motore Ø 22.2          | Feather, Crankshaft Ø 22.2         | Clavette, Arbre Moteur Ø 22.2          | Keil, Motorwelle Ø 22.2             |         |
| 6    | 12139150/0  | 1    | Linguetta, Albero Motore Ø 25            | Feather, Crankshaft Ø 25           | Clavette, Arbre Moteur Ø 25            | Keil, Motorwelle Ø 25               |         |

# NP 534



2009

54\_019

1 / 1

TR

TR-E

TR 3S

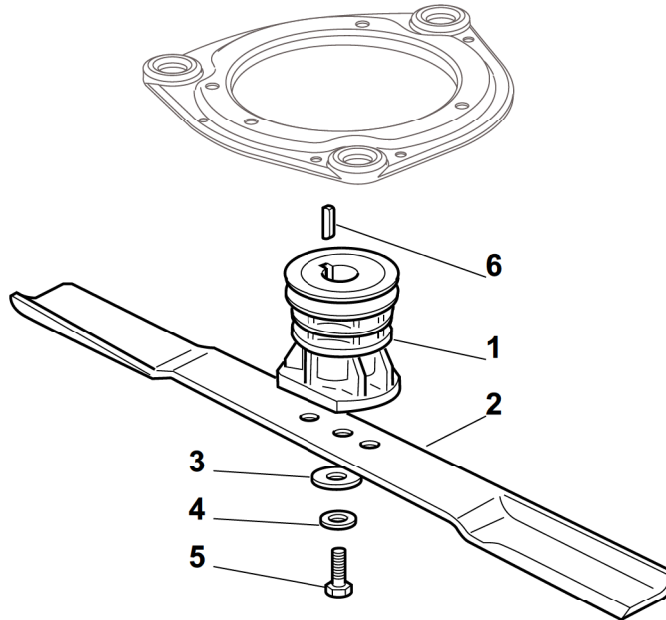
TR-E 3S

W  
TR

W  
TR-E

W  
TR 3S

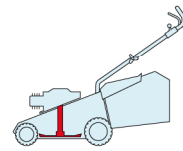
W  
TR-E 3S



| POS. | CODE        | Q.TY | DESCRIZIONE                              | DESCRIPTION                        | DESCRIPTION                            | BESCHREIBUNG                        | REMARKS |
|------|-------------|------|--|------------------------------------|--|-------------------------------------|---------|
| 1    | 122465638/0 | 1    | Mozzo Con Puleggia, Albero Motore Ø 22.2 | Hub With Pulley, Crankshaft Ø 22.2 | Moyeu Avec Poulie, Arbre Moteur Ø 22.2 | Nabe Mit Scheibe, Motorwelle Ø 22.2 |         |
| 1    | 122465639/0 | 1    | Mozzo Con Puleggia, Albero Motore Ø 25   | Hub With Pulley, Crankshaft Ø 25   | Moyeu Avec Poulie, Arbre Moteur Ø 25   | Nabe Mit Scheibe, Motorwelle Ø 25   |         |
| 2    | 81004381/1  | 1    | Coltello Standard                        | Blade Standard                     | Lame Standard                          | Messer Standard                     |         |
| 2    | 81004383/0  | 1    | Coltello, Avs                            | Blade, Avs                         | Lame, Avs                              | Messer, Avs                         |         |
| 3    | 22160400/0  | 1    | Disco Elastico                           | Elastic Washer                     | Rondelle Elastique                     | Elastischescheibe                   |         |
| 4    | 12523080/0  | 1    | Rosetta                                  | Washer                             | Rondelle                               | Scheibe                             |         |
| 5    | 12736815/0  | 1    | Vite                                     | Screw                              | Vis                                    | Schraube                            |         |
| 6    | 12139100/0  | 1    | Linguetta, Albero Motore Ø 22.2          | Feather, Crankshaft Ø 22.2         | Clavette, Arbre Moteur Ø 22.2          | Keil, Motorwelle Ø 22.2             |         |
| 6    | 12139150/0  | 1    | Linguetta, Albero Motore Ø 25            | Feather, Crankshaft Ø 25           | Clavette, Arbre Moteur Ø 25            | Keil, Motorwelle Ø 25               |         |

# NP 534

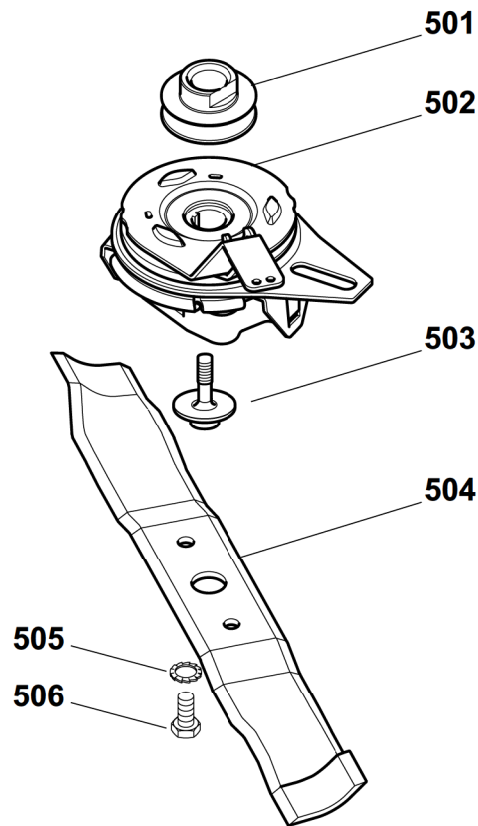
TR TR-E TR 3S TR-E 3S W TR W TR-E W TR 3S W TR-E 3S



2009

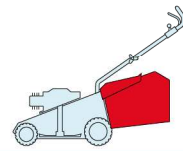
54\_020

1 / 1



| POS. | CODE        | Q.TY | DESCRIZIONE                    | DESCRIPTION               | DESCRIPTION                 | BESCHREIBUNG               | REMARKS |
|------|-------------|------|--------------------------------|---------------------------|-----------------------------|----------------------------|---------|
| 1    | 122601922/0 | 1    | Puleggia, Albero Motore Ø 22.2 | Pulley, Crankshaft Ø 22.2 | Poulie, Arbre Moteur Ø 22.2 | Scheibe, Motorwelle Ø 22.2 |         |
| 1    | 122601923/0 | 1    | Puleggia, Albero Motore Ø 25   | Pulley, Crankshaft Ø 25   | Poulie, Arbre Moteur Ø 25   | Scheibe, Motorwelle Ø 25   |         |
| 2    | 118399051/0 | 1    | Ass. Frizione Meccanica        | Mechanical Clutch         | Embrayage Mecanique         | Mechanische Kupplung       |         |
| 3    | 12735460/0  | 1    | Vite                           | Screw                     | Vis                         | Schraube                   |         |
| 4    | 181004382/0 | 1    | Coltello Standard              | Blade Standard            | Lame Standard               | Messer Standard            |         |
| 5    | 12523070/0  | 2    | Rosetta                        | Washer                    | Rondelle                    | Scheibe                    |         |
| 6    | 12794110/0  | 2    | Vite                           | Screw                     | Vis                         | Schraube                   |         |

# NP 534

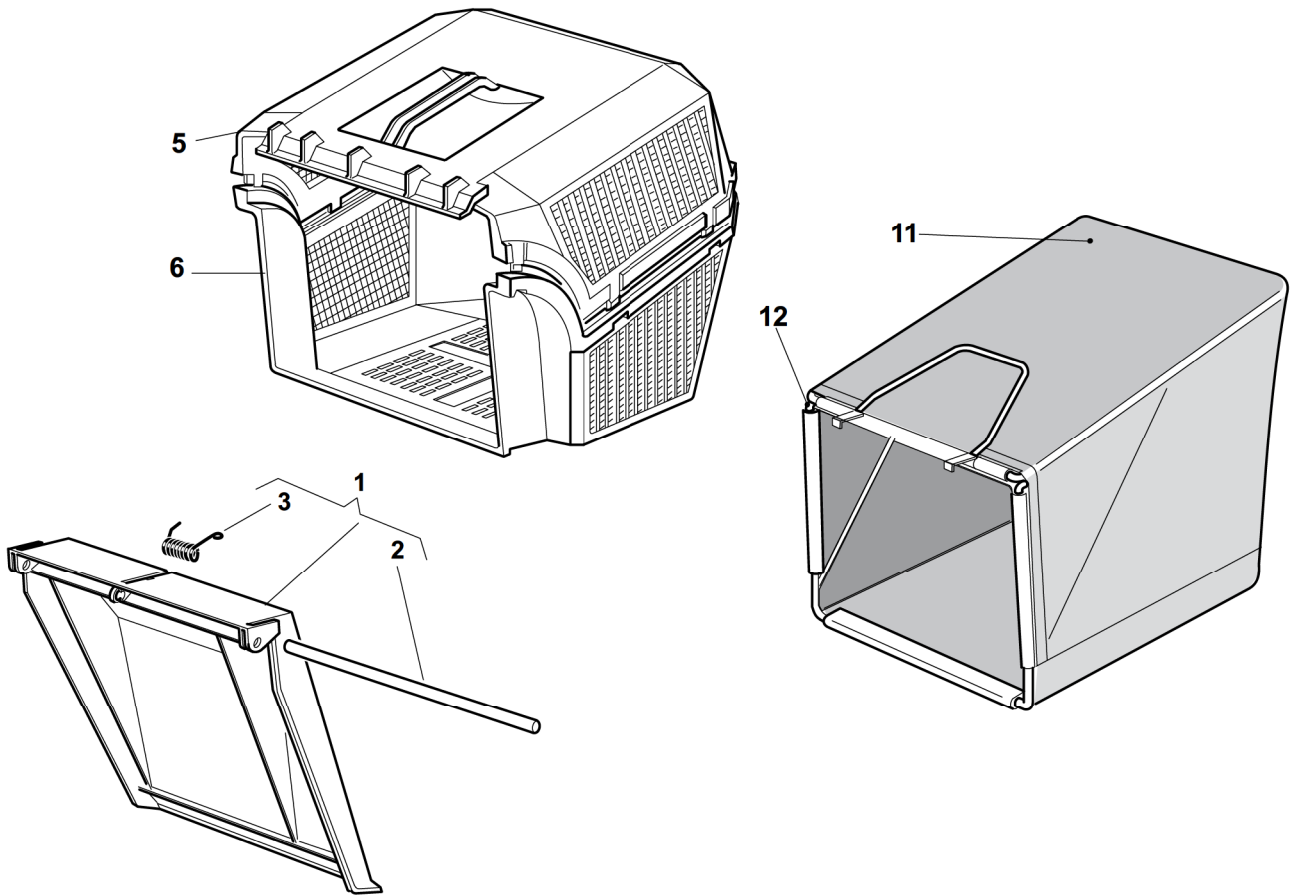


2009

54\_021

1 / 1

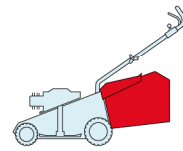
TR TR-E TR 3S TR-E 3S W TR W TR-E W TR 3S W TR-E 3S



| POS. | CODE        | Q.TY | DESCRIZIONE      | DESCRIPTION      | DESCRIPTION            | BESCHREIBUNG    | REMARKS |
|------|-------------|------|------------------|------------------|------------------------|-----------------|---------|
| 1    | 381008044/0 | 1    | Parasassi        | Stone-Guard      | Pare-Pierres           | Prallblech      |         |
| 2    | 22517856/1  | 1    | Perno            | Pin              | Pivot                  | Bolzen          |         |
| 3    | 22450270/0  | 1    | Molla            | Spring           | Ressort                | Feder           |         |
| 5    | 22486065/0  | 1    | Sacco, Parte Sup | Grass-Box, Upper | Sac, Partie Superieure | Korb, Oberteil  |         |
| 6    | 22486064/0  | 1    | Sacco, Parte Inf | Grass-Box, Lower | Sac, Partie Inferieure | Korb, Unterteil |         |
| 11   | 81002124/1  | 1    | Sacco, Tela      | Box, Fabric      | Sac, Toile             | Sack, Tuck      |         |
| 12   | 81006430/0  | 1    | Telaio Sacco     | Chassis Box      | Châssis Bac            | Rahmen Sack     |         |

# NP 534

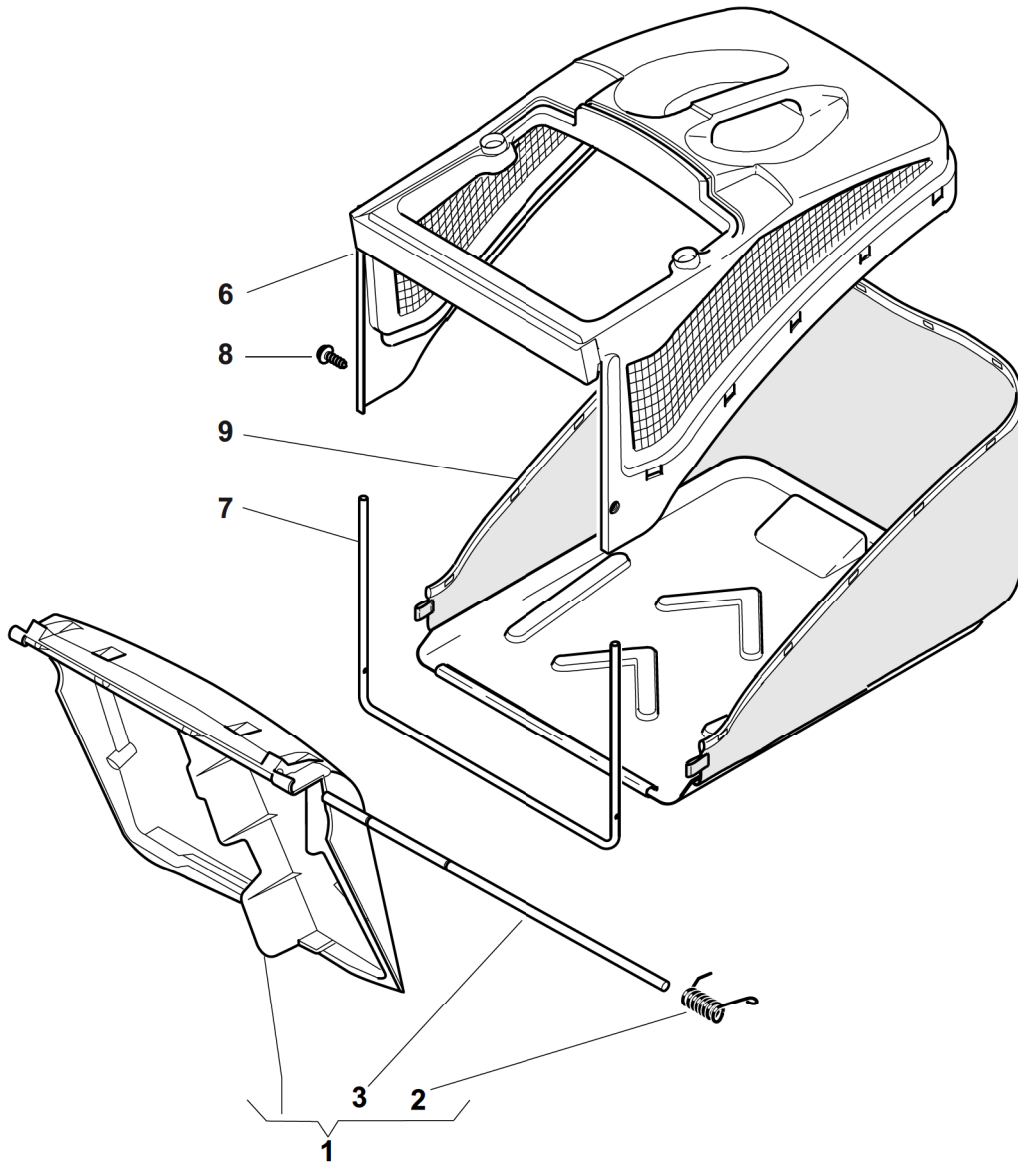
|    |      |       |         |         |           |            |              |
|----|------|-------|---------|---------|-----------|------------|--------------|
| TR | TR-E | TR 3S | TR-E 3S | W<br>TR | W<br>TR-E | W<br>TR 3S | W<br>TR-E 3S |
|----|------|-------|---------|---------|-----------|------------|--------------|



2009

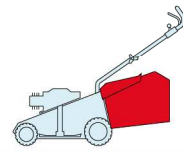
54\_022

1 / 1



| POS. | CODE        | Q.TY | DESCRIZIONE      | DESCRIPTION      | DESCRIPTION       | BESCHREIBUNG   | REMARKS |
|------|-------------|------|------------------|------------------|-------------------|----------------|---------|
| 1    | 381008050/0 | 1    | Parasassi        | Stone-Guard      | Pare-Pierres      | Prallblech     |         |
| 2    | 22451000/0  | 1    | Molla            | Spring           | Ressort           | Feder          |         |
| 3    | 22517857/0  | 1    | Perno            | Pin              | Pivot             | Bolzen         |         |
| 6    | 22486094/0  | 1    | Sacco, Parte Sup | Grass-Box, Upper | Sac, Partie       | Korb, Oberteil |         |
| 7    | 22608524/0  | 1    | Rinforzo Inf     | Stiffening Lower | Réinforcement Inf | Verstärkung    |         |
| 8    | 12728445/0  | 2    | Vite             | Screw            | Vis               | Schraube       |         |
| 9    | 81002196/0  | 1    | Sacco, Tela      | Box, Fabric      | Sac, Toile        | Sack, Tuck     |         |

# NP 534

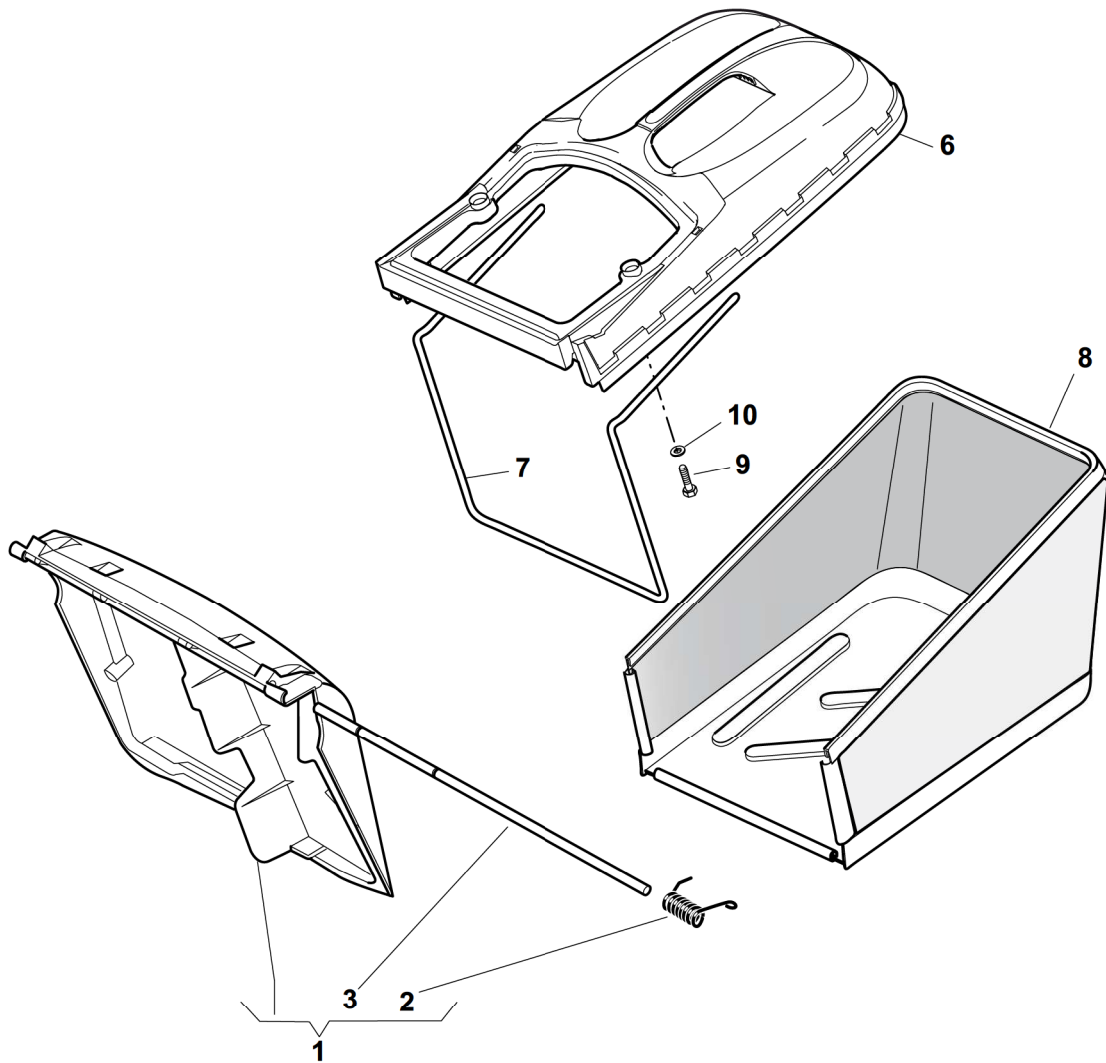


2009

54\_023

1 / 1

|    |      |       |         |         |           |            |              |
|----|------|-------|---------|---------|-----------|------------|--------------|
| TR | TR-E | TR 3S | TR-E 3S | W<br>TR | W<br>TR-E | W<br>TR 3S | W<br>TR-E 3S |
|----|------|-------|---------|---------|-----------|------------|--------------|



| POS. | CODE        | Q.TY | DESCRIZIONE      | DESCRIPTION      | DESCRIPTION       | BESCHREIBUNG   | REMARKS |
|------|-------------|------|------------------|------------------|-------------------|----------------|---------|
| 1    | 381008050/0 | 1    | Parasassi        | Stone-Guard      | Pare-Pierres      | Prallblech     |         |
| 2    | 22451000/0  | 1    | Molla            | Spring           | Ressort           | Feder          |         |
| 3    | 22517857/0  | 1    | Perno            | Pin              | Pivot             | Bolzen         |         |
| 6    | 22486102/0  | 1    | Sacco, Parte Sup | Grass-Box, Upper | Sac, Partie       | Korb, Oberteil |         |
| 7    | 22608526/0  | 1    | Rinforzo Inf     | Stiffening Lower | Réinforcement Inf | Verstärkung    |         |
| 8    | 81002212/0  | 1    | Sacco, Tela      | Box, Fabric      | Sac, Toile        | Sack, Tuck     |         |
| 9    | 12728680/0  | 2    | Vite             | Screw            | Vis               | Schraube       |         |
| 10   | 12523050/0  | 2    | Rosetta          | Washer           | Rondelle          | Scheibe        |         |