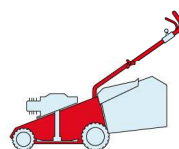


TD 484

TR ROLLER

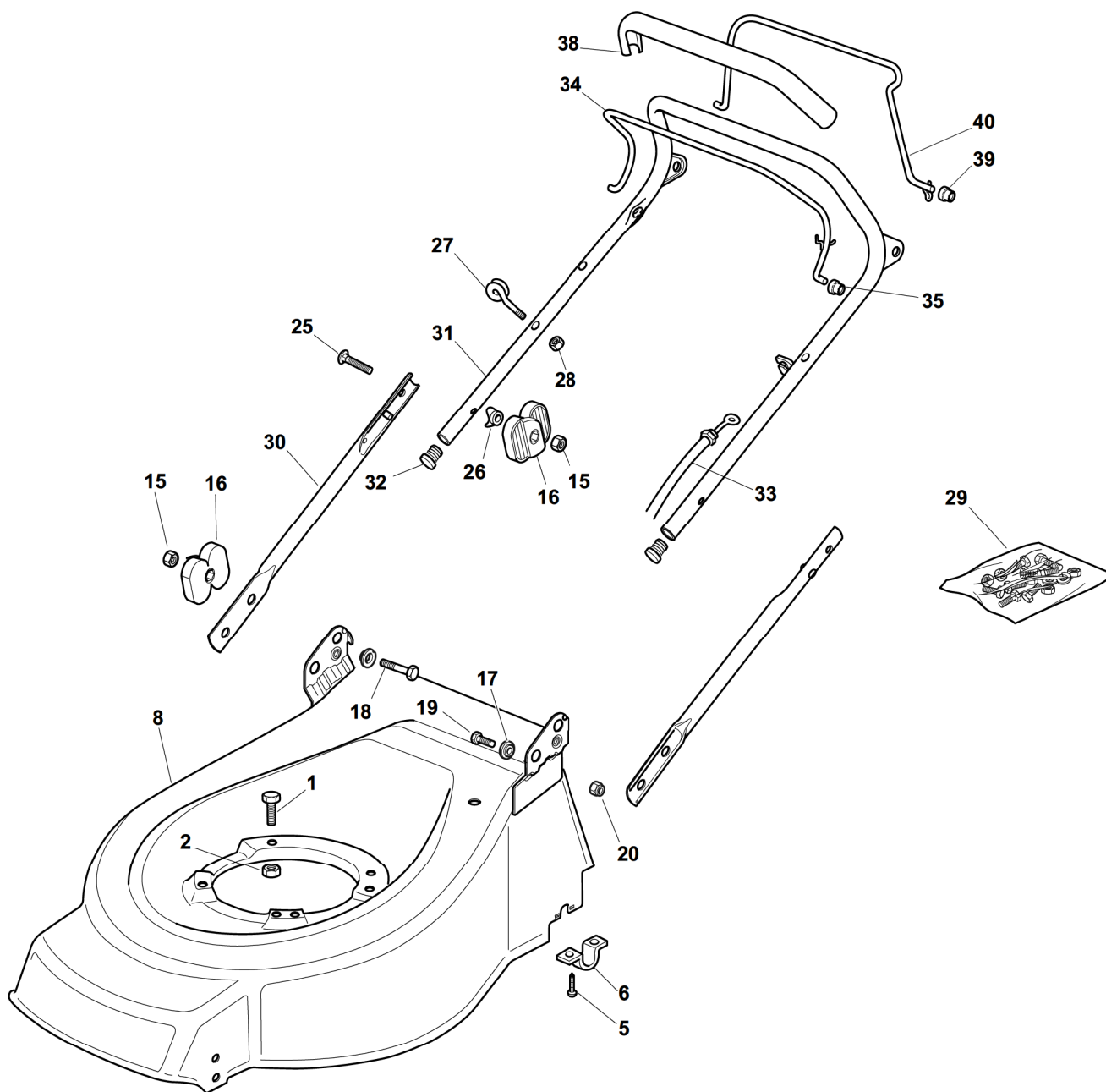
TR-E ROLLER



2009

18_001

1 / 2



| POS. | CODE | Q.TY | DESCRIZIONE | DESCRIPTION | DESCRIPTION | BESCHREIBUNG | REMARKS |
|------|------------|------|---------------|-------------|---------------|--------------|---------|
| 1 | 12691800/0 | 0/1 | Vite | Screw | Vis | Schraube | |
| 1 | 12793701/0 | 3/2 | Vite | Screw | Vis | Schraube | |
| 2 | 12155000/0 | 0/1 | Dado | Nut | Ecrou | Mutter | |
| 2 | 12293201/0 | 3/2 | Dado | Nut | Ecrou | Mutter | |
| 5 | 12731350/0 | 4 | Vite | Screw | Vis | Schraube | |
| 6 | 22545154/0 | 2 | Piastrina | Plate | Plaquette | Platte | |
| 8 | 81002565/0 | 1 | Chassis Rosso | Deck Red | Châssis Rouge | Gehäuse Rot | |
| 15 | 12293202/0 | 4 | Dado | Nut | Ecrou | Mutter | |
| 16 | 22399803/0 | 4 | Manopolina | Knob | Poignée | Griff | |
| 17 | 22041955/0 | 4 | Bussola | Bush | Douille | Buchse | |
| 18 | 12793700/0 | 2 | Vite | Screw | Vis | Schraube | |

| POS. | CODE | Q.TY | DESCRIZIONE | DESCRIPTION | DESCRIPTION | BESCHREIBUNG | REMARKS |
|------|------------|------|-------------------------|----------------------------|------------------------------|--------------------|----------------------|
| 19 | 12792610/0 | 2 | Vite | Screw | Vis | Schraube | |
| 20 | 12155000/0 | 2 | Dado | Nut | Ecrou | Mutter | |
| 25 | 12819125/0 | 2 | Vite | Screw | Vis | Schraube | |
| 26 | 22680006/1 | 2 | Rosetta | Washer | Rondelle | Scheibe | |
| 27 | 22430309/0 | 1 | Molla Guida | Guide Spring | Ressort De Guide | Feder Führer | |
| 28 | 12154330/0 | 1 | Dado | Nut | Ecrou | Mutter | |
| 29 | 81008640/0 | 1 | Dotazione Viteria | Outfit, Screws | Dotation Visserie | Satz, Schrauben | |
| 30 | 81006973/0 | 2 | Manico, Parte Inf | Handle, Lower Part | Mancheron, Partie Inferieure | Holm, Unterteil | |
| 31 | 81006981/0 | 1 | Manico, Parte Sup | Handle, Upper Part | Mancheron, Partie Superieure | Holm, Oberteil | |
| 32 | 18566112/0 | 2 | Puntale | Cap | Bouchon | Gummistopfen | |
| 33 | 81000611/0 | 1 | Cavo Freno Motore | Cable, Thread Engine Brake | Cable Frein Moteur | Kabel, Motorbremse | (Ggp 150cc) |
| 33 | 81000757/0 | 1 | Cavo Freno Motore | Cable, Thread Engine Brake | Cable Frein Moteur | Kabel, Motorbremse | (B&S 675 Series Es) |
| 33 | 81000757/0 | 1 | Cavo Freno Motore | Cable, Thread Engine Brake | Cable Frein Moteur | Kabel, Motorbremse | (B&S 625-675 Series) |
| 33 | 81000757/0 | 1 | Cavo Freno Motore | Cable, Thread Engine Brake | Cable Frein Moteur | Kabel, Motorbremse | (Ggp 140cc) |
| 33 | 81000757/0 | 1 | Cavo Freno Motore | Cable, Thread Engine Brake | Cable Frein Moteur | Kabel, Motorbremse | (Ggp 160cc) |
| 33 | 81000641/0 | 1 | Cavo Freno Motore | Cable, Thread Engine Brake | Cable Frein Moteur | Kabel, Motorbremse | (Honda Gcv 135-160) |
| 34 | 81003291/3 | 1 | Leva Freno Motore | Lever, Engine Brake | Levier Frein Moteur | Hebel, Motorbremse | |
| 35 | 22041966/0 | 2 | Bussola | Bush | Douille | Buchse | |
| 38 | 22291050/0 | 1 | Impugnatura Manico Nera | Handgrip Black | Poignée Noire | Handgriff Schwarz | |
| 39 | 22041965/1 | 2 | Bussola | Bush | Douille | Buchse | |
| 40 | 81003288/1 | 1 | Leva Trazione | Lever, Driving | Levier Traction | Hebel, Antrieb | |

TD 484

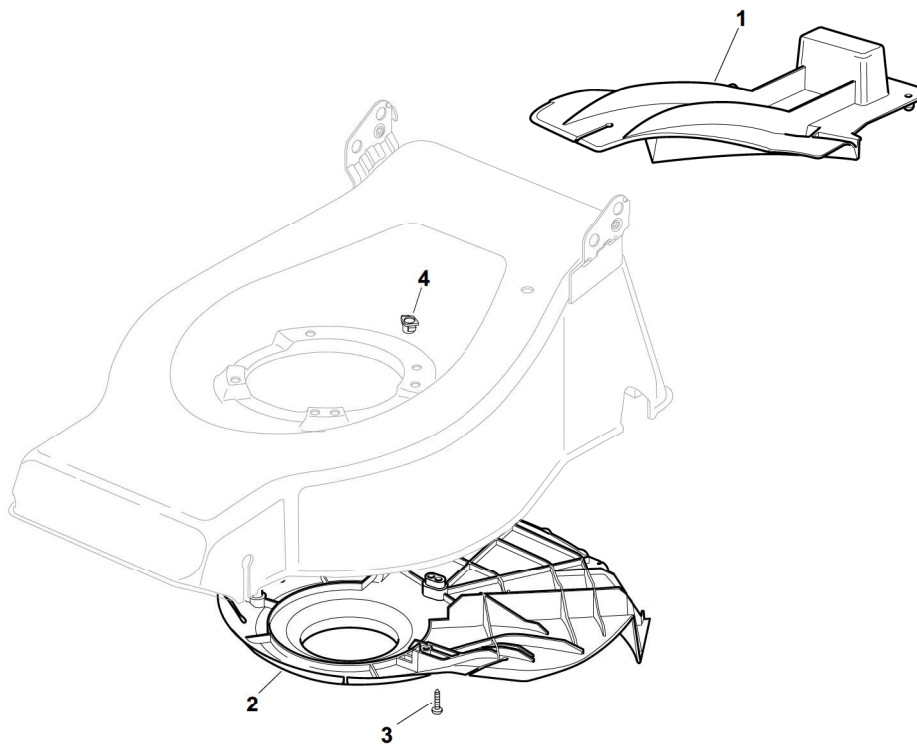
2009

18_002

TR ROLLER

TR-E ROLLER

1 / 1

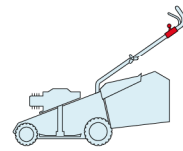


| POS. | CODE | Q.TY | DESCRIZIONE | DESCRIPTION | DESCRIPTION | BESCHREIBUNG | REMARKS |
|------|------------|------|-----------------|---------------|-------------|---------------|---------|
| 1 | 22140223/0 | 1 | Deflettore | Deflector | Deflecteur | Deflektor | 484 |
| 2 | 22060199/0 | 1 | Carter | Protection | Protection | Schutz | 484 |
| 3 | 12728530/0 | 3 | Vite | Screw | Vis | Schraube | |
| 4 | 22291150/0 | 1 | Insero In Gomma | Rubber Insert | Insert De | Gummi Einsatz | |

TD 484

TR ROLLER

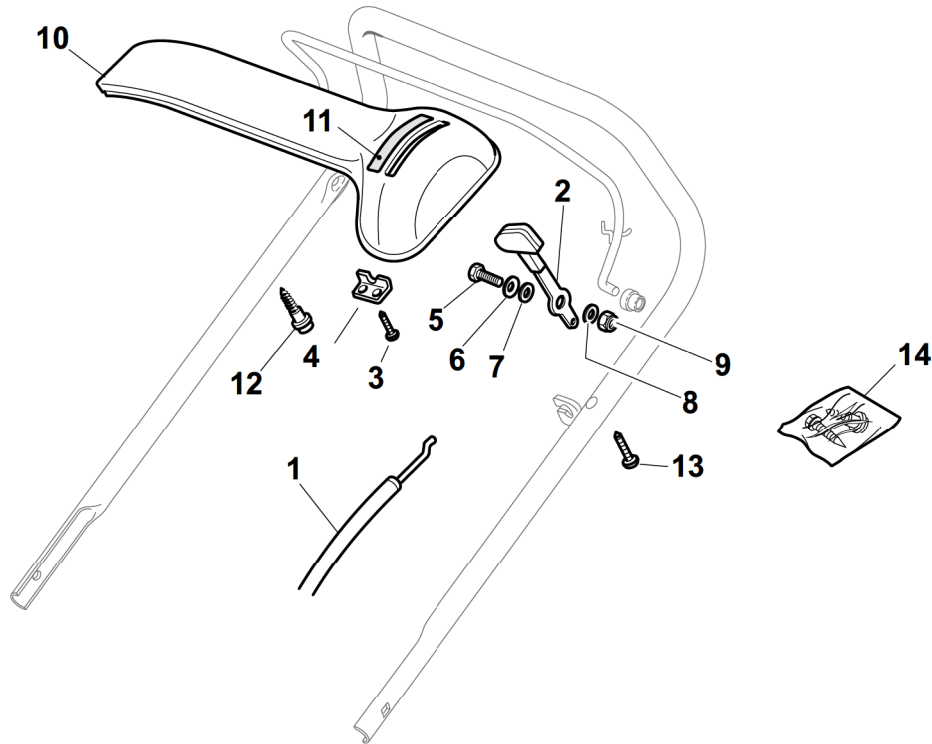
TR-E ROLLER



2009

18_003

1 / 1

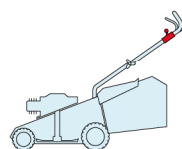


| POS. | CODE | Q.TY | DESCRIZIONE | DESCRIPTION | DESCRIPTION | BESCHREIBUNG | REMARKS |
|------|-------------|------|-----------------------------|---------------------------|---------------------------|-------------------------|---|
| 1 | 81007160/0 | 1 | Cavo Acceleratore | Throttle Cable | Cable, Accelérateur | Gashebel Kabel | |
| 2 | 81007280/2 | 1 | Leva, Acceleratore | Lever, Throttle | Levier, | Hebel, Beshleuniger | (B&S 625-675-700 Series - Honda - Ggp 140-160-196 cc) |
| 2 | 81007221/0 | 1 | Leva, Acceleratore | Lever, Throttle | Levier, | Hebel, Beshleuniger | (B&S 450-500 Series - Ggp 150 cc) |
| 3 | 12735105/0 | 2 | Vite | Screw | Vis | Schraube | |
| 4 | 22981467/0 | 1 | Piastrina | Plate | Plaquette | Platte | |
| 5 | 12791500/0 | 1 | Vite | Screw | Vis | Schraube | |
| 6 | 12530060/0 | 1 | Rosetta Elastica | Elastic Washer | Rondelle Elastique | Elastische Scheibe | |
| 7 | 12523040/0 | 1 | Rosetta | Washer | Rondelle | Scheibe | |
| 8 | 12523040/0 | 1 | Rosetta | Washer | Rondelle | Scheibe | |
| 9 | 12154510/0 | 1 | Dado | Nut | Ecrou | Mutter | |
| 10 | 22120152/0 | 1 | Cruscotto Giallo | Dash Board Yellow | Console Jaune | Konsole Gelbe | |
| 10 | 22120154/0 | 1 | Cruscotto Rosso | Dash Board Red | Console Rouge | Konsole Rote | |
| 10 | 22120158/0 | 1 | Cruscotto Nero | Dash Board Black | Console Noire | Konsole Schwarze | |
| 11 | 114356744/1 | 1 | Etichetta | Label | Etiquette | Etikette | (B&S) |
| 11 | 114356906/1 | 1 | Etichetta | Label | Etiquette | Etikette | (B&S 700 series DOV) |
| 11 | 114356743/1 | 1 | Etichetta | Label | Etiquette | Etikette | (GGP) |
| 11 | 114356743/1 | 1 | Etichetta | Label | Etiquette | Etikette | (Honda) |
| 11 | 114357646/1 | 1 | Etichetta | Label | Etiquette | Etikette | (Honda GCV 160-190 Autochoke) |
| 12 | 22943006/0 | 1 | Vite | Screw | Vis | Schraube | |
| 13 | 12728460/0 | 1 | Vite | Screw | Vis | Schraube | |
| 14 | 81008609/0 | 1 | Dotazione Viteria Cruscotto | Outfit, Dash-Board Screws | Dotation Visserie Console | Satz, Konsole Schrauben | |

TD 484

TR ROLLER

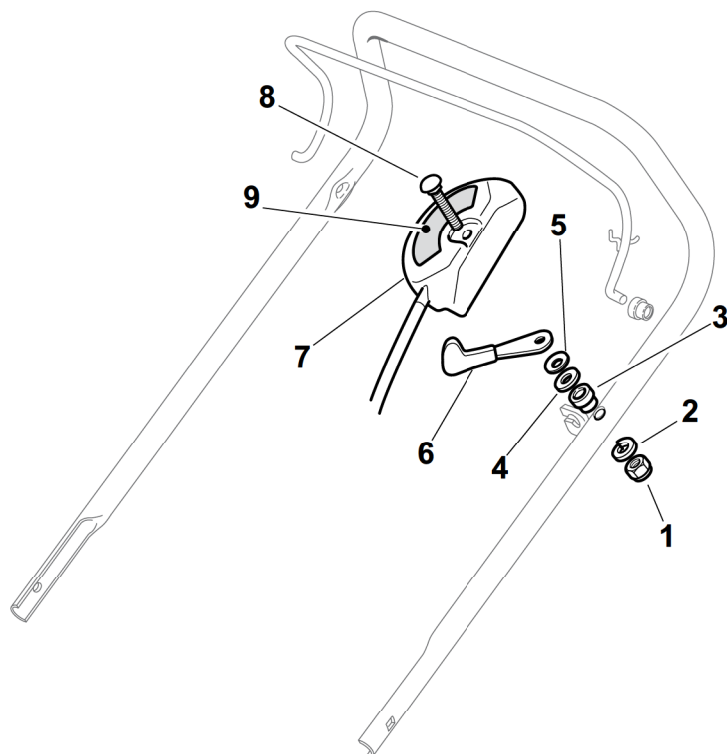
TR-E ROLLER



2009

18_004

1 / 1

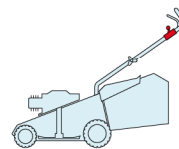


| POS. | CODE | Q.TY | DESCRIZIONE | DESCRIPTION | DESCRIPTION | BESCHREIBUNG | REMARKS |
|------|-------------|------|--------------------|-----------------|----------------------|---------------------|---|
| 1 | 12291000/0 | 1 | Dado | Nut | Ecrou | Mutter | |
| 2 | 12581500/0 | 1 | Grower | Grower | Grower | Federring | |
| 3 | 22171005/0 | 1 | Distanziale | Spacer | Entretoise | Distanzring | |
| 4 | 12521360/0 | 1 | Rosetta | Washer | Rondelle | Scheibe | |
| 5 | 12508100/0 | 1 | Rosetta Elastica | Spring Washer | Rondelle Elastique | Elastische Scheibe | |
| 6 | 81007279/1 | 1 | Leva, Acceleratore | Lever, Throttle | Levier, Accelérateur | Hebel, Beshleuniger | (B&S 625-675-700 Series - Honda - Ggp 140-160-196 cc) |
| 6 | 81007220/0 | 1 | Leva, Acceleratore | Lever, Throttle | Levier, Accelérateur | Hebel, Beshleuniger | (B&S 450-500 Series - Ggp 150 cc) |
| 7 | 81007080/0 | 1 | Cavo Acceleratore | Throttle Cable | Cable, Accelérateur | Gashebel Kabel | |
| 8 | 12815000/0 | 1 | Vite | Screw | Vis | Schraube | |
| 9 | 14356703/0 | 1 | Etichetta | Label | Etiquette | Etikette | (B&S) |
| 9 | 114356905/0 | 1 | Etichetta | Label | Etiquette | Etikette | (B&S 700 series DOV) |
| 9 | 14356702/0 | 1 | Etichetta | Label | Etiquette | Etikette | (GGP) |
| 9 | 114364264/0 | 1 | Etichetta | Label | Etiquette | Etikette | AVS (GGP 160-196) |
| 9 | 14356702/0 | 1 | Etichetta | Label | Etiquette | Etikette | (Honda) |
| 9 | 114356905/0 | 1 | Etichetta | Label | Etiquette | Etikette | (Honda GCV 160-190 Autochoke) |

TD 484

TR ROLLER

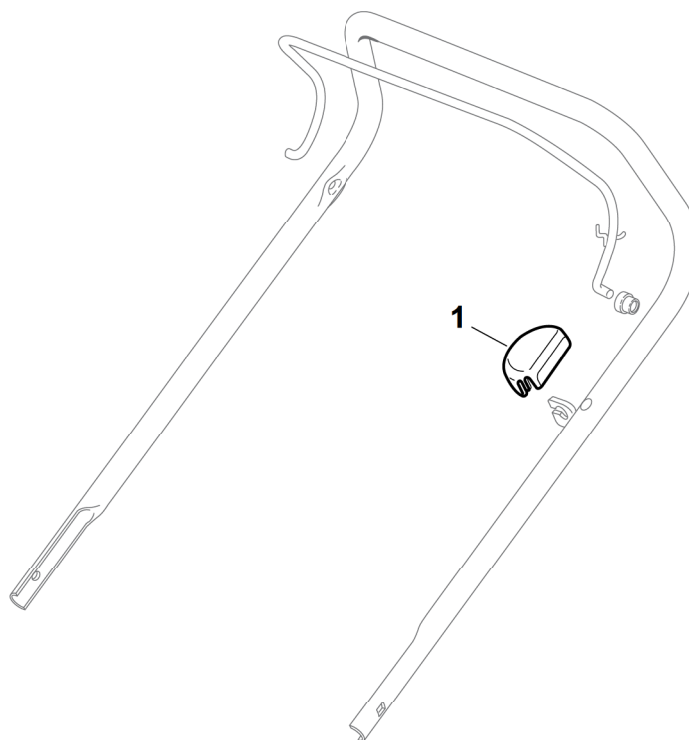
TR-E ROLLER



2009

18_005

1 / 1

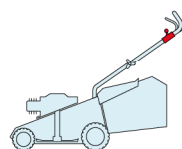


| POS. | CODE | Q.TY | DESCRIZIONE | DESCRIPTION | DESCRIPTION | BESCHREIBUNG | REMARKS |
|------|------------|------|-------------|-------------|-------------|--------------|---------|
| 1 | 22601000/0 | 1 | Protezione | Protection | Protection | Schutz | |

TD 484

TR ROLLER

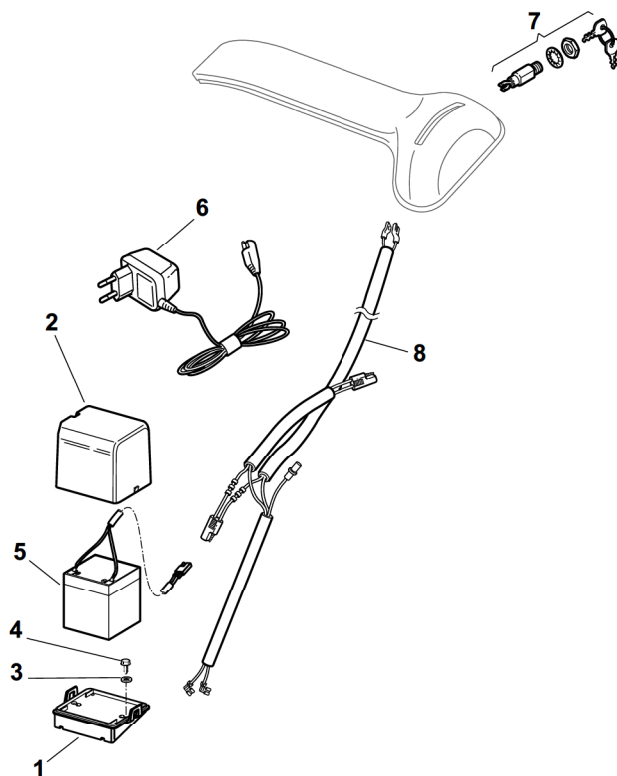
TR-E ROLLER



2009

18_006

1 / 1

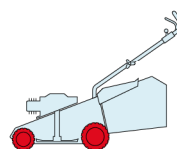


| POS. | CODE | Q.TY | DESCRIZIONE | DESCRIPTION | DESCRIPTION | BESCHREIBUNG | REMARKS |
|------|-------------|------|-------------------|------------------|------------------|------------------|-------------|
| 1 | 22785123/0 | 1 | Supporto Batteria | Support, Battery | Support Batterie | Halter, Batterie | |
| 2 | 22109530/0 | 1 | Coperchio | Cover | Couvercle | Deckel | |
| 3 | 12521310/0 | 2 | Rosetta | Washer | Rondelle | Scheibe | |
| 4 | 12731590/0 | 2 | Vite | Screw | Vis | Schraube | |
| 5 | 18120052/0 | 1 | Batteria | Battery | Batterie | Batterie | |
| 6 | 18204120/0 | 1 | Carica Batteria | Battery Charger | Chargeur De | Ladgerät | |
| 6 | 18204121/0 | 1 | Carica Batteria | Battery Charger | Chargeur De | Ladgerät | (Uk) |
| 7 | 18450050/0 | 1 | Interruttore | Switch | Interrupteur | Schalter | |
| 8 | 118204192/3 | 1 | Cavo Avviamento | Cable, Start | Cable Démarrage | Kabel, Start | (B&S - GGP) |
| 8 | 18204198/0 | 1 | Cavo Avviamento | Cable, Start | Cable Démarrage | Kabel, Start | (Honda) |

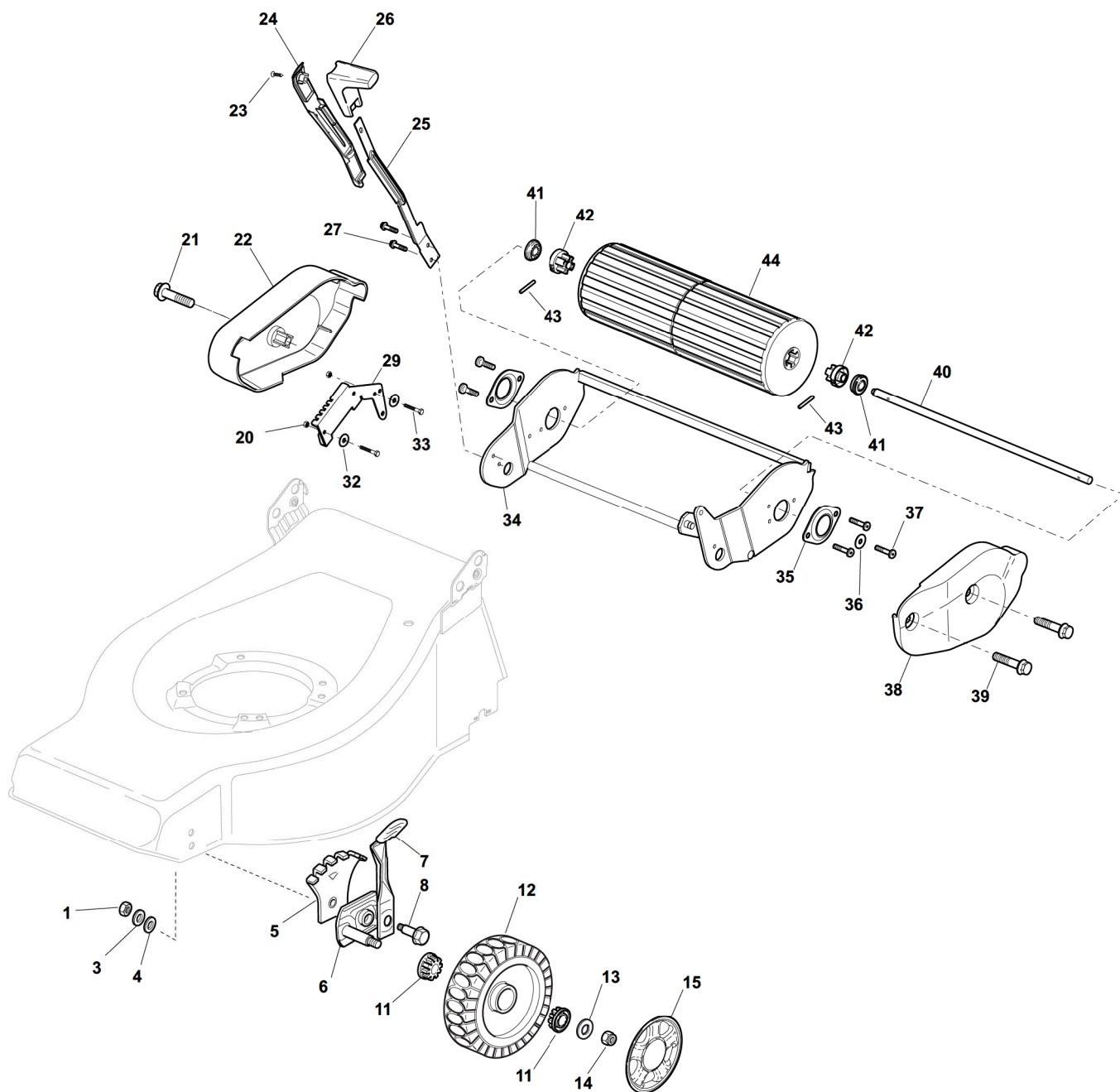
TD 484

TR ROLLER

TR-E ROLLER



| |
|--------|
| 2009 |
| 18_007 |
| 1 / 2 |



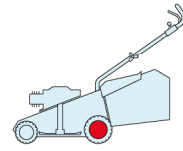
| POS. | CODE | Q.TY | DESCRIZIONE | DESCRIPTION | DESCRIPTION | BESCHREIBUNG | REMARKS |
|------|------------|------|-----------------------------|---------------------------|-------------------------|-------------------------|---------|
| 1 | 12293200/0 | 2 | Dado | Nut | Ecrou | Mutter | |
| 3 | 12583500/0 | 2 | Grower | Grower | Grower | Federring | |
| 4 | 12523070/0 | 2 | Rosetta | Washer | Rondelle | Scheibe | |
| 5 | 22735547/0 | 2 | Settore Regolazione Altezza | Sector, Height Adjustment | Secteur Reglage Hauteur | Sektor, Höheverstellung | |
| 6 | 81005082/0 | 2 | Supporto Ruota | Support, Wheel | Support Roue | Halter, Rad | |
| 7 | 81003285/1 | 2 | Leva Regolazione Altezza | Lever, Height Adjustment | Levier, Reglage Hauteur | Hebel, Höheverstellung | |
| 8 | 22519811/0 | 2 | Perno | Pin | Pivot | Bolzen | |
| 9 | 81005084/0 | 2 | Supporto Ruota | Support, Wheel | Support Roue | Halter, Rad | |
| 10 | 81003286/0 | 2 | Leva Regolazione Altezza | Lever, Height Adjustment | Levier, Reglage Hauteur | Hebel, Höheverstellung | |

| POS. | CODE | Q.TY | DESCRIZIONE | DESCRIPTION | DESCRIPTION | BESCHREIBUNG | REMARKS |
|------|------------|------|-----------------------------|---------------------------|-------------------------|-------------------------|-------------------|
| 11 | 22034508/0 | 4 | Bussola | Bush | Douille | Buchse | |
| 12 | 81007336/0 | 2 | Ruota Scolpita Ø 170 | Wheel, Knobbly Ø 170 | Roue Sculptee Ø 170 | Rad M. Stollenpr. Ø 170 | |
| 13 | 12523060/0 | 2 | Rosetta | Washer | Rondelle | Scheibe | |
| 14 | 12155000/0 | 2 | Dado | Nut | Ecrou | Mutter | |
| 15 | - | 2 | Coprimozzo | Hub Cap | Couvre-Moyeu | Radkappe | (See Enclosure 1) |
| 21 | 12735594/0 | 1 | Vite | Screw | Vis | Schraube | |
| 22 | 22060210/0 | 1 | Protezione Dx | R Protection | Protection D | Rechte Schutz | |
| 23 | 12728680/0 | 1 | Vite | Screw | Vis | Schraube | |
| 24 | 22109722/0 | 1 | Copertura | Cover | Couvre | Kappe | |
| 25 | 22321505/0 | 1 | Leva Regolazione Altezza | Lever, Height Adjustment | Levier, Reglage Hauteur | Hebel, Höheverstellung | |
| 26 | 22399805/0 | 1 | Manopolina | Knob | Poignée | Griff | |
| 27 | 22034512/0 | 2 | Bussola | Bush | Douille | Buchse | |
| 28 | 12735121/0 | 2 | Vite | Screw | Vis | Schraube | |
| 29 | 22672151/0 | 2 | Rosetta | Washer | Rondelle | Scheibe | |
| 30 | 12154330/0 | 2 | Dado | Nut | Ecrou | Mutter | |
| 31 | 22735551/0 | 1 | Settore Regolazione Altezza | Sector, Height Adjustment | Secteur Reglage Hauteur | Sektor, Höheverstellung | |
| 32 | 12521331/0 | 2 | Rosetta | Washer | Rondelle | Scheibe | |
| 33 | 12789000/0 | 2 | Vite | Screw | Vis | Schraube | |
| 34 | 81005109/1 | 1 | Supporto Roller | Roller Support | Support Roller | Rollrhlter | |
| 35 | 22207325/0 | 2 | Flangia | Support | Support | Halter | |
| 36 | 22671650/0 | 1 | Rosetta | Washer | Rondelle | Scheibe | |
| 37 | 12735593/0 | 5 | Vite | Screw | Vis | Schraube | |
| 38 | 22060211/0 | 1 | Protezione Sx | L Protection | Protection G | Linke Schutz | |
| 39 | 12735592/0 | 2 | Vite | Screw | Vis | Schraube | |
| 40 | 22060198/0 | 1 | Asse Roller | Axle, Roller | Axe Roller | Achse, Roller | |
| 41 | 19216036/0 | 2 | Cuscinetto | Bearing | Coussinet | Lager | |
| 42 | 22855000/0 | 2 | Trascinatore | Tractor Roller | Entraineur, Roller | Schlepper | |
| 43 | 12620210/0 | 2 | Spina Elastica | Pin | Goupille | Stift | |
| 44 | 81007401/0 | 1 | Roller | Roller | Roller | Roller | |

TD 484

TR ROLLER

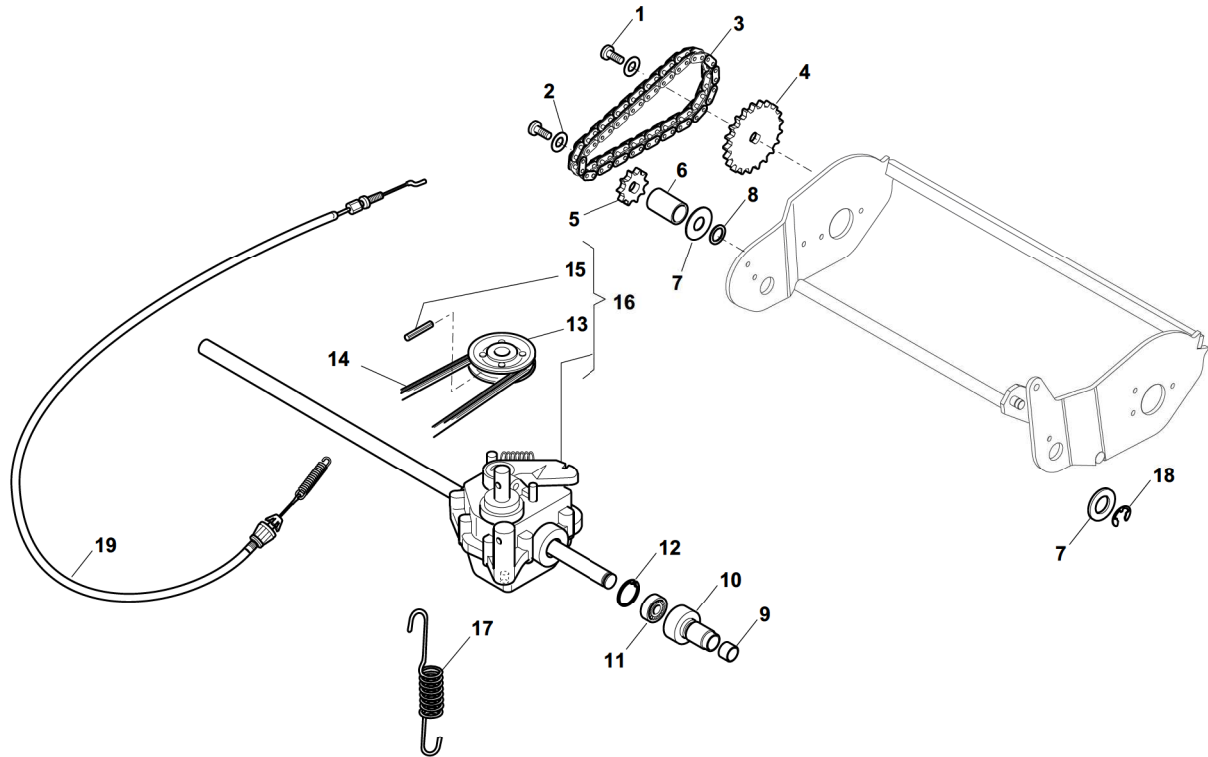
TR-E ROLLER



2009

18_008

1 / 1

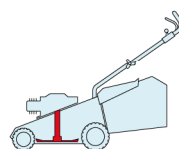


| POS. | CODE | Q.TY | DESCRIZIONE | DESCRIPTION | DESCRIPTION | BESCHREIBUNG | REMARKS |
|------|------------|------|-----------------------|-------------------|--------------------------|----------------|------------------------|
| 1 | 12735593/0 | 2 | Vite | Screw | Vis | Schraube | |
| 2 | 12523040/0 | 2 | Rosetta | Washer | Rondelle | Scheibe | |
| 3 | 15189003/0 | 1 | Catena | Chain | Chaîne | Kette | |
| 4 | 22120106/0 | 1 | Corona | Ring Gear | Couronne | Kranz | |
| 5 | 22120107/0 | 1 | Corona | Ring Gear | Couronne | Kranz | |
| 6 | 22170970/0 | 1 | Distanziale | Spacer | Entretoise | Distanzring | |
| 7 | 22672151/0 | 2 | Rosetta | Washer | Rondelle | Scheibe | |
| 8 | 21660100/0 | 2 | Ralla | Washer | Rondelle | Scheibe | |
| 9 | 22038404/0 | 2 | Bronzina | Brass | Coussinet | Buchse | |
| 10 | 22785126/0 | 2 | Supporto | Support | Support | Halter | |
| 11 | 19216035/0 | 2 | Cuscinetto | Bearing | Coussinet | Lager | |
| 12 | 12610095/0 | 2 | Anello Di Arresto | Seeger | Seeger | Seeger | |
| 13 | 22601904/0 | 1 | Puleggia | Pulley | Poulie | Riemenscheibe | |
| 14 | 35063800/0 | 1 | Cinghia Z 27 | Belt Z 27 | Courroie Z 27 | Riemen Z 27 | |
| 15 | 12645705/0 | 1 | Spina | Pin | Goupille | Stift | |
| 16 | 81003077/0 | 1 | Gruppo Trazione | Gear Box | Groupe Traction | Antrieb | (General Transmission) |
| 17 | 25430220/0 | 1 | Molla | Spring | Ressort | Feder | |
| 18 | 12000957/0 | 1 | Anello Elastico | Snap Ring | Anneau Ressort | Sprengring | |
| 19 | 81000668/0 | 1 | Cavo Comando Trazione | Cable, Rear Drive | Câble, Commande Traction | Kabel, Antrieb | (General Transmission) |

TD 484

TR ROLLER

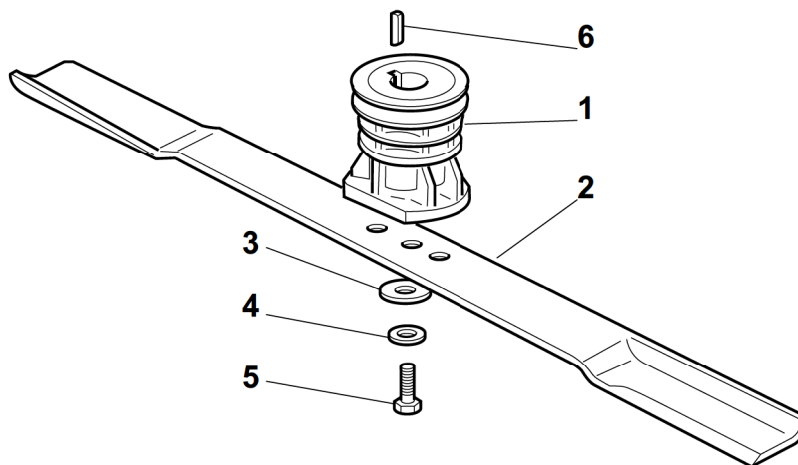
TR-E ROLLER



2009

18_009

1 / 1

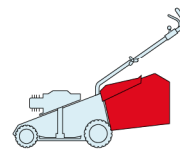


| POS. | CODE | Q.TY | DESCRIZIONE | DESCRIPTION | DESCRIPTION | BESCHREIBUNG | REMARKS |
|------|-------------|------|--|------------------------------------|--|-------------------------------------|---------|
| 1 | 22465607/2 | 1 | Mozzo Con Puleggia, Albero Motore Ø 22.2 | Hub With Pulley, Crankshaft Ø 22.2 | Moyeu Avec Poulie, Arbre Moteur Ø 22.2 | Nabe Mit Scheibe, Motorwelle Ø 22.2 | |
| 1 | 122465608/1 | 1 | Mozzo Con Puleggia, Albero Motore Ø 25 | Hub With Pulley, Crankshaft Ø 25 | Moyeu Avec Poulie, Arbre Moteur Ø 25 | Nabe Mit Scheibe, Motorwelle Ø 25 | |
| 2 | 81004346/3 | 1 | Coltello Standard | Blade Standard | Lame Standard | Messer Standard | |
| 3 | 22160400/0 | 1 | Disco Elastico | Elastic Washer | Rondelle Elastique | Elastischescheibe | |
| 4 | 12523080/0 | 1 | Rosetta | Washer | Rondelle | Scheibe | |
| 5 | 12735698/0 | 1 | Vite | Screw | Vis | Schraube | |
| 6 | 12139100/0 | 1 | Linguetta, Albero Motore Ø 22.2 | Feather, Crankshaft Ø 22.2 | Clavette, Arbre Moteur Ø 22.2 | Keil, Motorwelle Ø 22.2 | |
| 6 | 12139150/0 | 1 | Linguetta, Albero Motore Ø 25 | Feather, Crankshaft Ø 25 | Clavette, Arbre Moteur Ø 25 | Keil, Motorwelle Ø 25 | |

TD 484

TR ROLLER

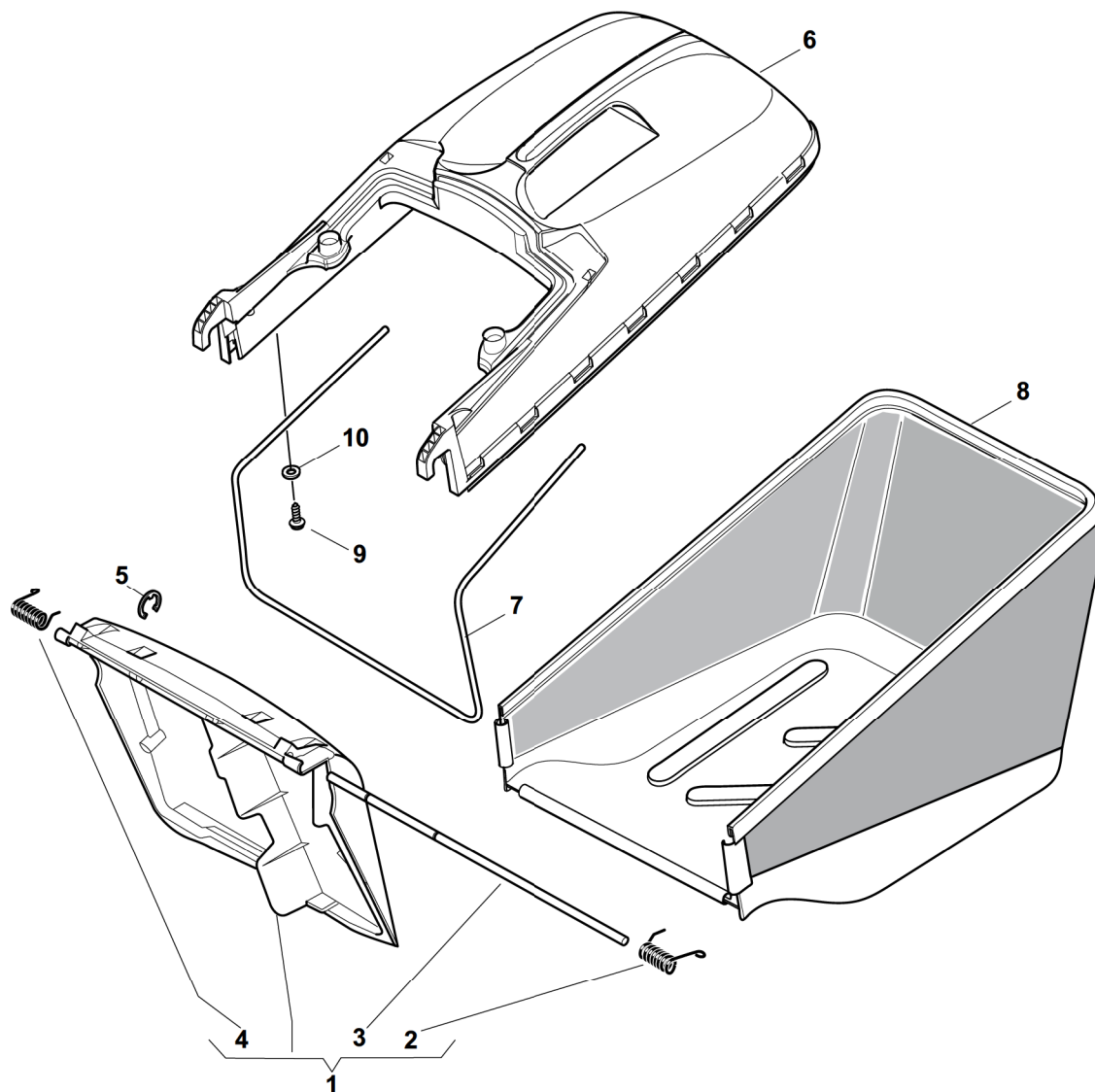
TR-E ROLLER



2009

18_010

1 / 1



| POS. | CODE | Q.TY | DESCRIZIONE | DESCRIPTION | DESCRIPTION | BESCHREIBUNG | REMARKS |
|------|-------------|------|------------------|------------------|-------------------|----------------|---------|
| 1 | 381008021/1 | 1 | Parasassi | Stone-Guard | Pare-Pierres | Prallblech | |
| 2 | 22450420/1 | 1 | Molla Sx | L Spring | Ressort G | Linke Feder | |
| 3 | 22517906/1 | 1 | Perno | Pin | Pivot | Bolzen | |
| 4 | 22450410/1 | 1 | Molla Dx | R Spring | Ressort D | Rechte Feder | |
| 5 | 12000930/0 | 1 | Anello Elastico | Snap Ring | Anneau Ressort | Sprengring | |
| 6 | 22486104/1 | 1 | Sacco, Parte Sup | Grass-Box, Upper | Sac, Partie | Korb, Oberteil | |
| 7 | 22608527/0 | 1 | Rinforzo Inf | Stiffening Lower | Réinforcement Inf | Verstärkung | |
| 8 | 81002227/0 | 1 | Sacco, Tela | Box, Fabric | Sac, Toile | Sack, Toile | |
| 9 | 12728680/0 | 2 | Vite | Screw | Vis | Schraube | |
| 10 | 12523050/0 | 2 | Rosetta | Washer | Rondelle | Scheibe | |