

W

WL

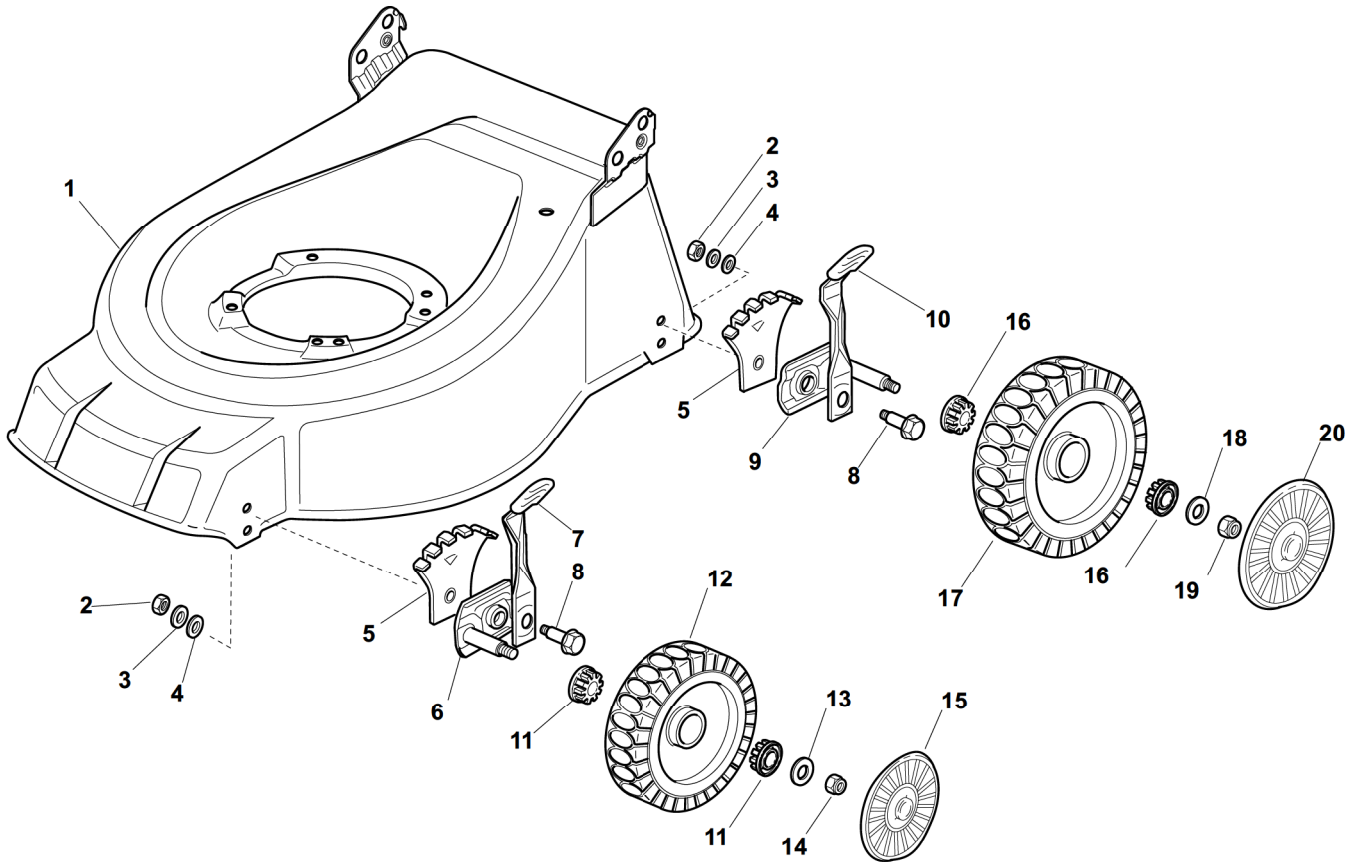
480



2009

E21001.0

1 / 1

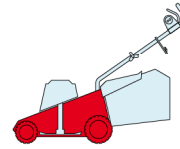


POS.	CODE	Q.TY	DESCRIZIONE	DESCRIPTION	DESCRIPTION	BESCHREIBUNG	REMARKS
1	81002601/0	1	Chassis Rosso	Deck Red	Châssis Rouge	Gehäuse Rot	
2	12293200/0	4	Dado	Nut	Ecrou	Mutter	
3	12583500/0	4	Grower	Grower	Grower	Federring	
4	12523070/0	4	Rosetta	Washer	Rondelle	Scheibe	
5	22735547/0	4	Settore Regolazione Altezza	Sector, Height Adjustment	Secteur Reglage Hauteur	Sektor, Höheverstellung	
6	81005082/0	2	Supporto Ruota	Support, Wheel	Support Roue	Halter, Rad	
7	81003285/1	2	Leva Regolazione Altezza	Lever, Height Adjustment	Levier, Reglage Hauteur	Hebel, Höheverstellung	
8	22519811/0	4	Perno	Pin	Pivot	Bolzen	
9	81005084/0	2	Supporto Ruota	Support, Wheel	Support Roue	Halter, Rad	
10	81003286/0	2	Leva Regolazione Altezza	Lever, Height Adjustment	Levier, Reglage Hauteur	Hebel, Höheverstellung	
11	22034508/0	4	Bussola	Bush	Douille	Buchse	
12	81007336/0	2	Ruota Scolpita Ø 170	Wheel, Knobby Ø 170	Roue Sculptee Ø 170	Rad M. Stollenpr. Ø 170	
13	12523060/0	2	Rosetta	Washer	Rondelle	Scheibe	
14	12155000/0	2	Dado	Nut	Ecrou	Mutter	
15	-	2	Coprismozzo	Hub Cap	Couvre-Moyeu	Radkappe	(See Enclosure 1)
16	22034508/0	4	Bussola	Bush	Douille	Buchse	
17	81007337/0	2	Ruota Scolpita Ø 210	Wheel, Knobby Ø 210	Roue Sculptee Ø 210	Rad M. Stollenpr. Ø 210	
18	12523060/0	2	Rosetta	Washer	Rondelle	Scheibe	
19	12155000/0	2	Dado	Nut	Ecrou	Mutter	
20	-	2	Coprismozzo	Hub Cap	Couvre-Moyeu	Radkappe	(See Enclosure 2)

W

WL

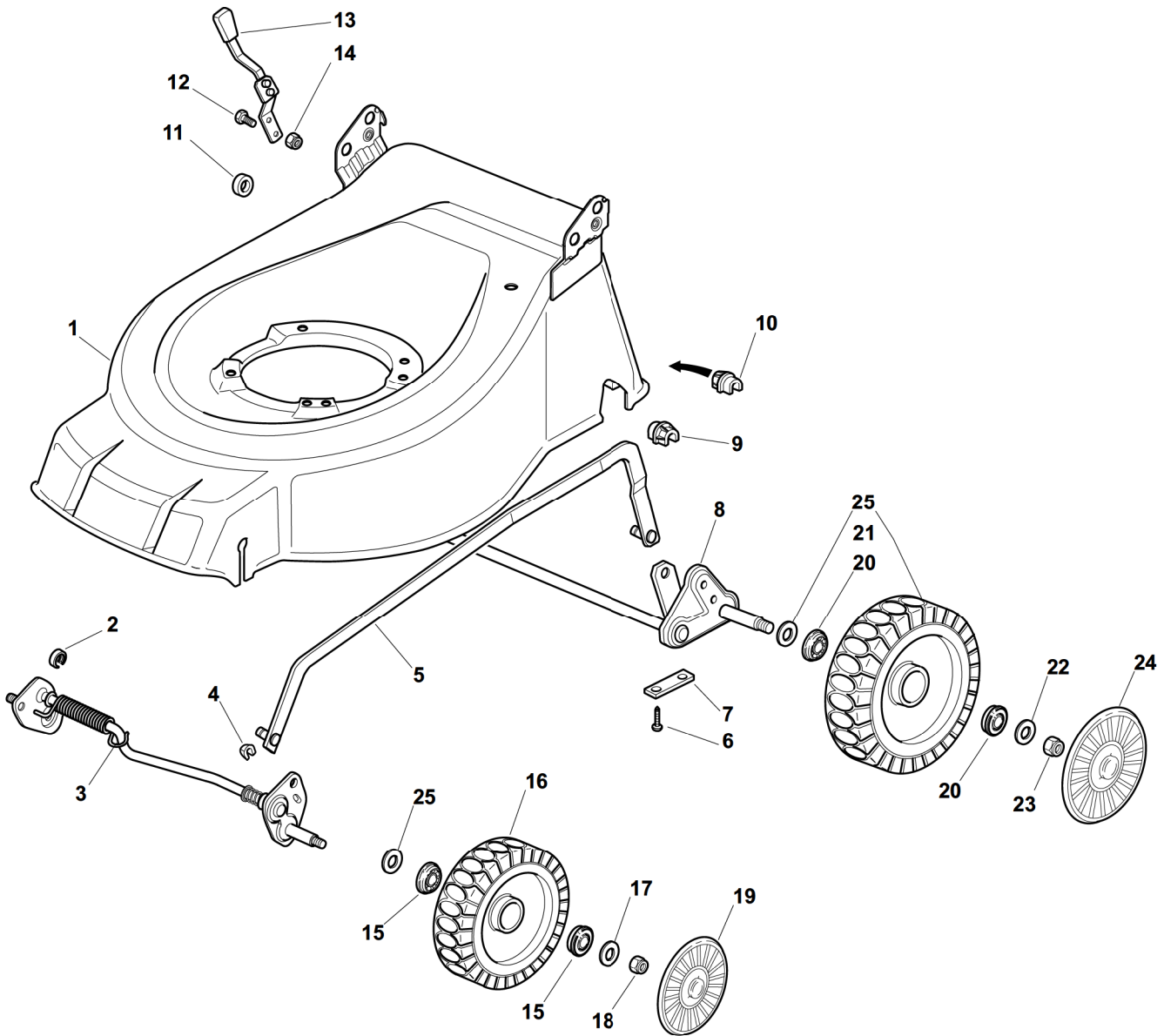
480



2009

E21002.0

1 / 2



POS.	CODE	Q.TY	DESCRIZIONE	DESCRIPTION	DESCRIPTION	BESCHREIBUNG	REMARKS
1	81002605/0	1	Chassis Rosso	Deck Red	Châssis Rouge	Gehäuse Rot	
2	22171002/0	1	Distanziale	Spacer	Entretoise	Distanzring	
3	81000141/1	1	Asse Ruote Anteriori	Axle, Front Wheels	Axe Roues Avant	Achse, Vorderrad	
4	112436051/0	2	Piastrina	Plate	Plaquette	Plättchen	
5	381002020/0	1	Asta Comando Regol. Altezza	Rod, Height Adjustment	Tige Commande Reglage Hauteur	Stange, Höherstellung	
6	12731350/0	4	Vite	Screw	Vis	Schraube	
7	22545142/0	2	Piastrina	Plate	Plaquette	Platte	
8	81001278/0	1	Asse Ruote Posteriori	Axle, Rear Wheels	Axe Roues Arriere	Achse, Hinterrad	
9	22038403/0	1	Bronzina Sx	L Bush	Douille G	Linke Buchse	
10	22038402/0	1	Bronzina Dx	R Bush	Douille D	Rechte Buchse	
11	22170800/0	1	Distanziale	Spacer	Entretoise	Distanzring	
12	12789000/0	2	Vite	Screw	Vis	Schraube	

POS.	CODE	Q.TY	DESCRIZIONE	DESCRIPTION	DESCRIPTION	BESCHREIBUNG	REMARKS
13	81003283/1	1	Leva Regolazione Altezza	Lever, Height Adjustment	Levier, Reglage Hauteur	Hebel, Höheverstellung	
14	12154320/0	2	Dado	Nut	Ecrou	Mutter	
15	22122200/0	4	Cuscinetto	Bearing	Coussinet	Lager	
16	81007336/0	2	Ruota Scolpita Ø 170	Wheel, Knobbly Ø 170	Roue Sculptee Ø 170	Rad M. Stollenpr. Ø 170	
17	12521350/0	2	Rosetta	Washer	Rondelle	Scheibe	
18	12155000/0	2	Dado	Nut	Ecrou	Mutter	
19	-	2	Coprimozzo	Hub Cap	Couvre-Moyeu	Radkappe	(See Enclosure 1)
20	22122200/0	4	Cuscinetto	Bearing	Coussinet	Lager	
21	81007337/0	2	Ruota Scolpita Ø 210	Wheel, Knobbly Ø 210	Roue Sculptee Ø 210	Rad M. Stollenpr. Ø 210	
22	12521350/0	2	Rosetta	Washer	Rondelle	Scheibe	
23	12155000/0	2	Dado	Nut	Ecrou	Mutter	
24	-	2	Coprimozzo	Hub Cap	Couvre-Moyeu	Radkappe	(See Enclosure 2)
25	12530150/0	4	Rosetta Elastica	Elastic Washer	Rondelle Elastique	Elastische Scheibe	

W

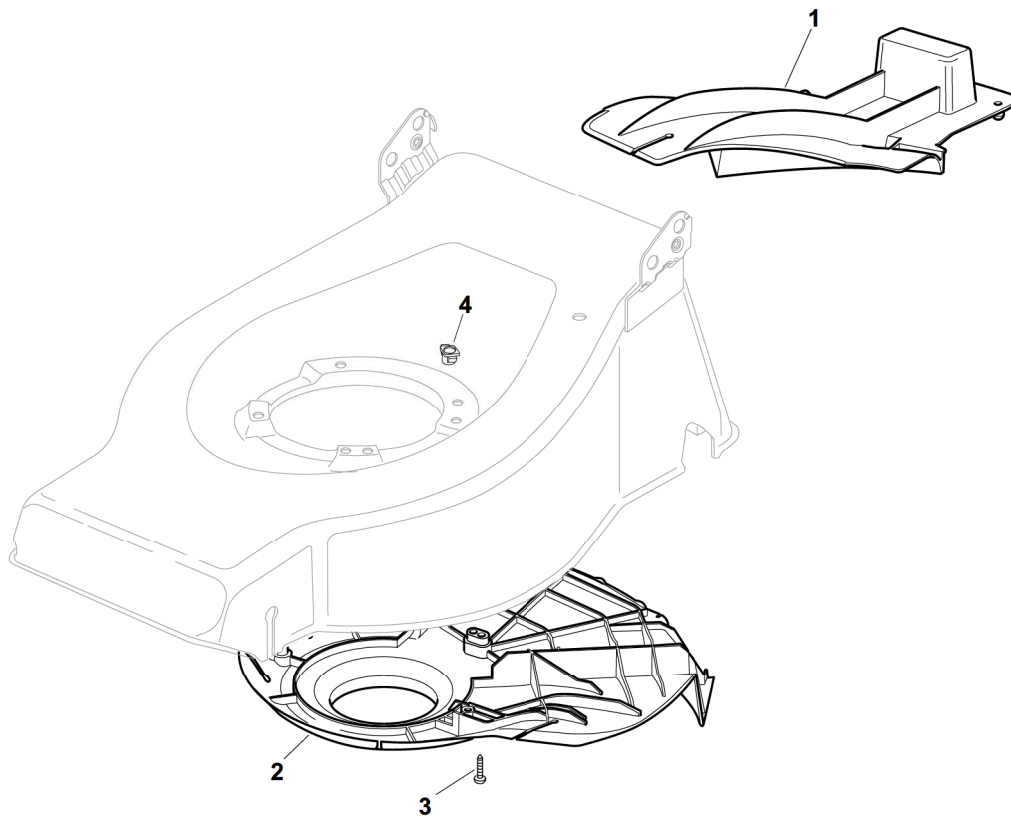
WL

480

2009

E21003.0

1 / 1

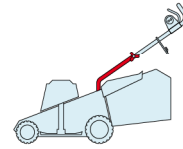


POS.	CODE	Q.TY	DESCRIZIONE	DESCRIPTION	DESCRIPTION	BESCHREIBUNG	REMARKS
1	22140223/0	1	Deflettore	Deflector	Deflecteur	Deflektor	480
2	22060199/0	1	Carter	Protection	Protection	Schutz	480
3	12728530/0	3	Vite	Screw	Vis	Schraube	
4	22291150/0	1	Inserto In Gomma	Rubber Insert	Insert De	Gummi Einsatz	

W

WL

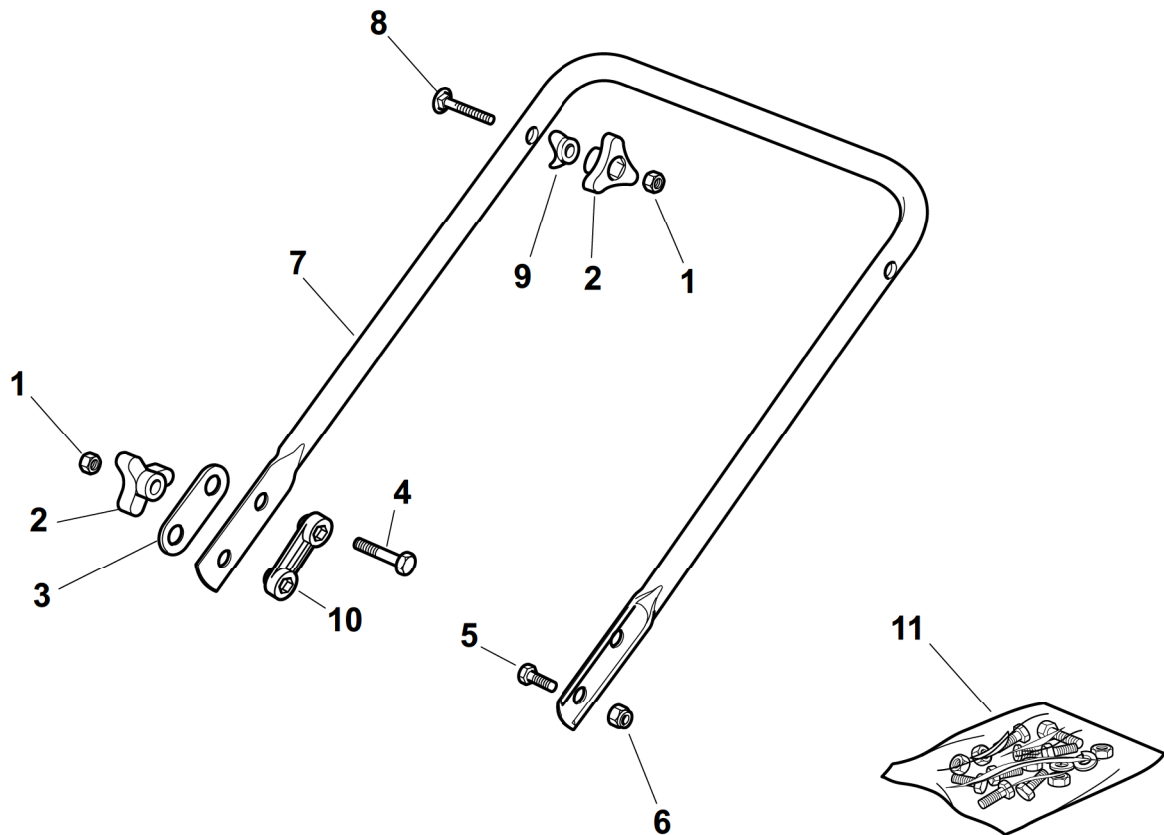
480



2009

E21004.0

1 / 1

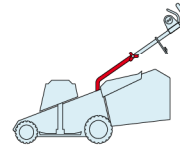


POS.	CODE	Q.TY	DESCRIZIONE	DESCRIPTION	DESCRIPTION	BESCHREIBUNG	REMARKS
1	12293200/0	4	Dado	Nut	Ecrou	Mutter	
2	22399900/0	4	Manopolina	Knob	Poignée	Griff	
3	22551574/0	2	Piastrina Esterna	Plate, Outside	Plaquette Externe	Platte, Äußere	
4	12691115/0	2	Vite	Screw	Vis	Schraube	
5	12793300/0	2	Vite	Screw	Vis	Schraube	
6	12155000/0	2	Dado	Nut	Ecrou	Mutter	
7	81006512/0	1	Manico, Parte Inf	Handle, Lower Part	Mancheron, Partie Inférieure	Holm, Unterteil	
8	12819201/0	2	Vite	Screw	Vis	Schraube	
9	22680006/1	2	Rosetta	Washer	Rondelle	Scheibe	
10	22551575/0	2	Piastrina Interna	Plate, Inside	Plaquette Interne	Platte, Innere	
11	81008596/1	1	Dotazione Viteria	Outfit, Screws	Dotation Visserie	Satz, Schrauben	

W

WL

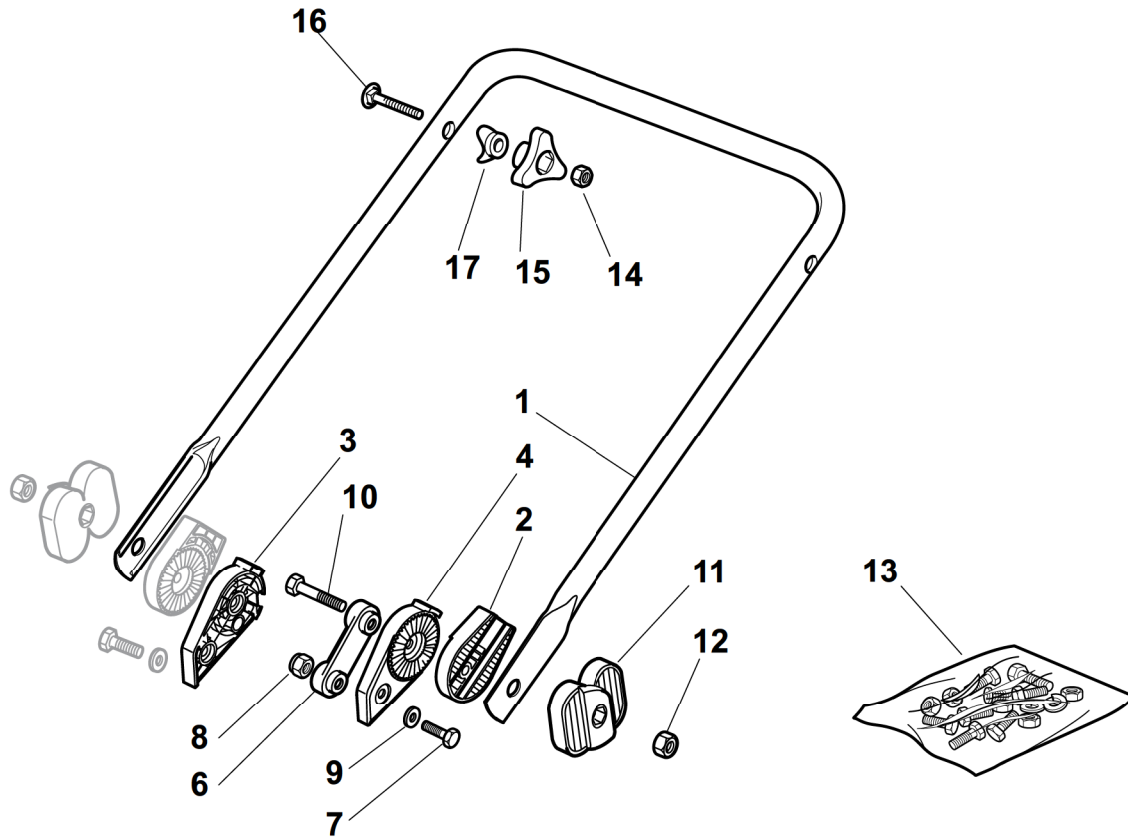
480



2009

E21005.0

1 / 1

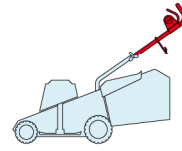


POS.	CODE	Q.TY	DESCRIZIONE	DESCRIPTION	DESCRIPTION	BESCHREIBUNG	REMARKS
1	81006532/0	1	Manico, Parte Inf	Handle, Lower Part	Mancheron, Partie Inférieure	Holm, Unterteil	
2	22785081/1	2	Supporto Esterno	Support, External	Support Externe	Halter, Außere	
3	22785082/0	1	Supporto Interno Dx	Support, R Internal	Support Interne D	Halter, Innere R	
4	22785083/1	1	Supporto Interno Sx	Support, L Internal	Support Interne G	Halter, Innere L	
6	22551575/0	2	Piastrina Interna	Plate, Inside	Plaquette Interne	Platte, Innere	
7	12793301/0	2	Vite	Screw	Vis	Schraube	
8	12155000/0	2	Dado	Nut	Ecrou	Mutter	
9	12521350/0	2	Rosetta	Washer	Rondelle	Scheibe	
10	12691810/0	2	Vite	Screw	Vis	Schraube	
11	22399803/0	2	Manopolina	Knob	Poignée	Griff	
12	12293202/0	2	Dado	Nut	Ecrou	Mutter	
13	81008623/1	1	Dotazione Viteria	Outfit, Screws	Dotation Visserie	Satz, Schrauben	
14	12293200/0	2	Dado	Nut	Ecrou	Mutter	
15	22399900/0	2	Manopolina	Knob	Poignée	Griff	
16	12819201/0	2	Molla Guida	Spring	Ressort	Feder	
17	22680006/1	2	Rosetta	Washer	Rondelle	Scheibe	

W

WL

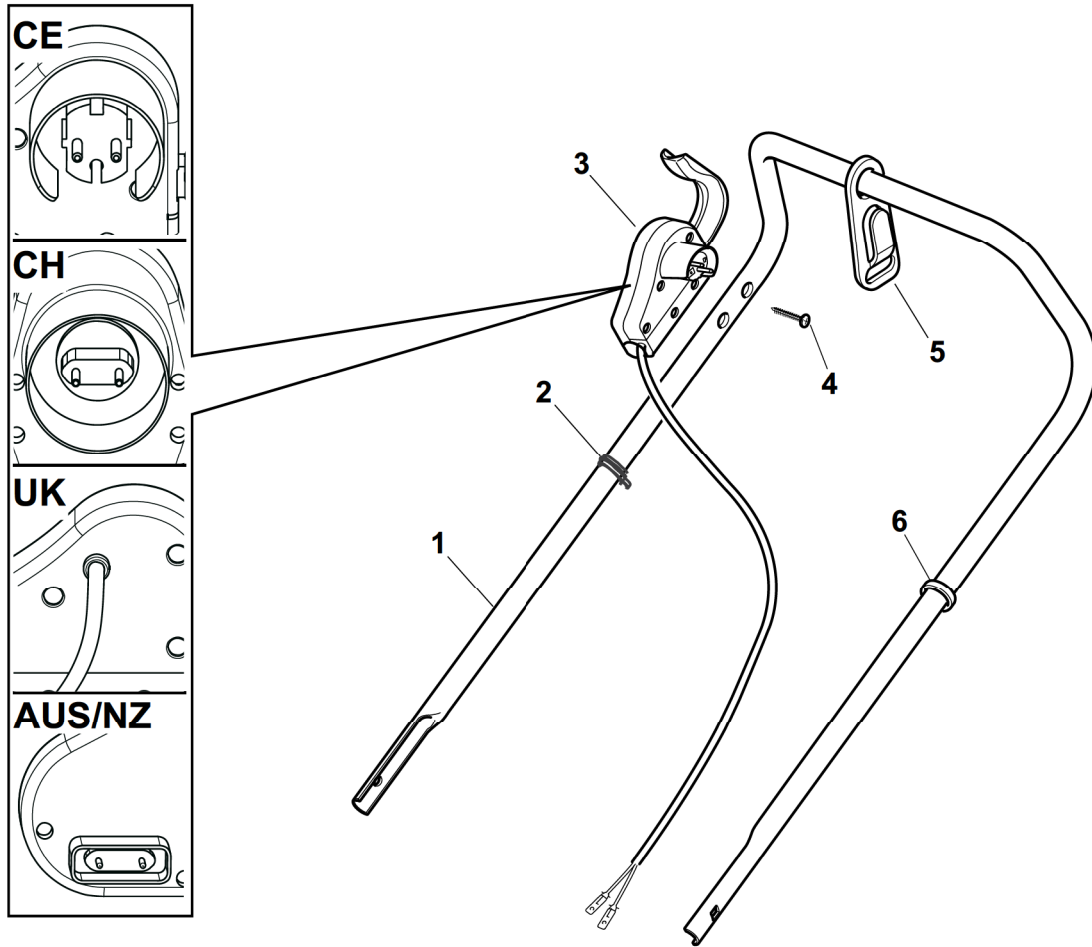
480



2009

E21006.0

1 / 1

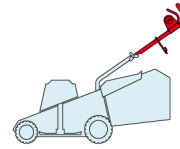


POS.	CODE	Q.TY	DESCRIZIONE	DESCRIPTION	DESCRIPTION	BESCHREIBUNG	REMARKS
1	81007017/2	1	Manico, Parte Sup	Handle, Upper Part	Mancheron, Partie Supérieure	Holm, Oberteil	
2	22192000/1	2	Fascetta	Anchor Clamp	Collier Ancrage	Bowdenzughalter	
3	81600500/1	1	Salvatore	Dead Hand Switch	Int. Main Morte	Tot Manschalter	CE
3	81600501/1	1	Salvatore	Dead Hand Switch	Int. Main Morte	Tot Manschalter	CH
3	81600502/1	1	Salvatore	Dead Hand Switch	Int. Main Morte	Tot Manschalter	UK
3	18710628/0	1	Salvatore	Dead Hand Switch	Int. Main Morte	Tot Manschalter	AUS/NZ
4	12728701/0	2	Vite	Screw	Vis	Schraube	
5	22195101/4	1	Fermacavo	Fairlead	Fixation Cable	Kabelbefestigung	
6	22192151/0	1	Fermacavo	Fairlead	Fixation Cable	Kabelbefestigung	

W

WL

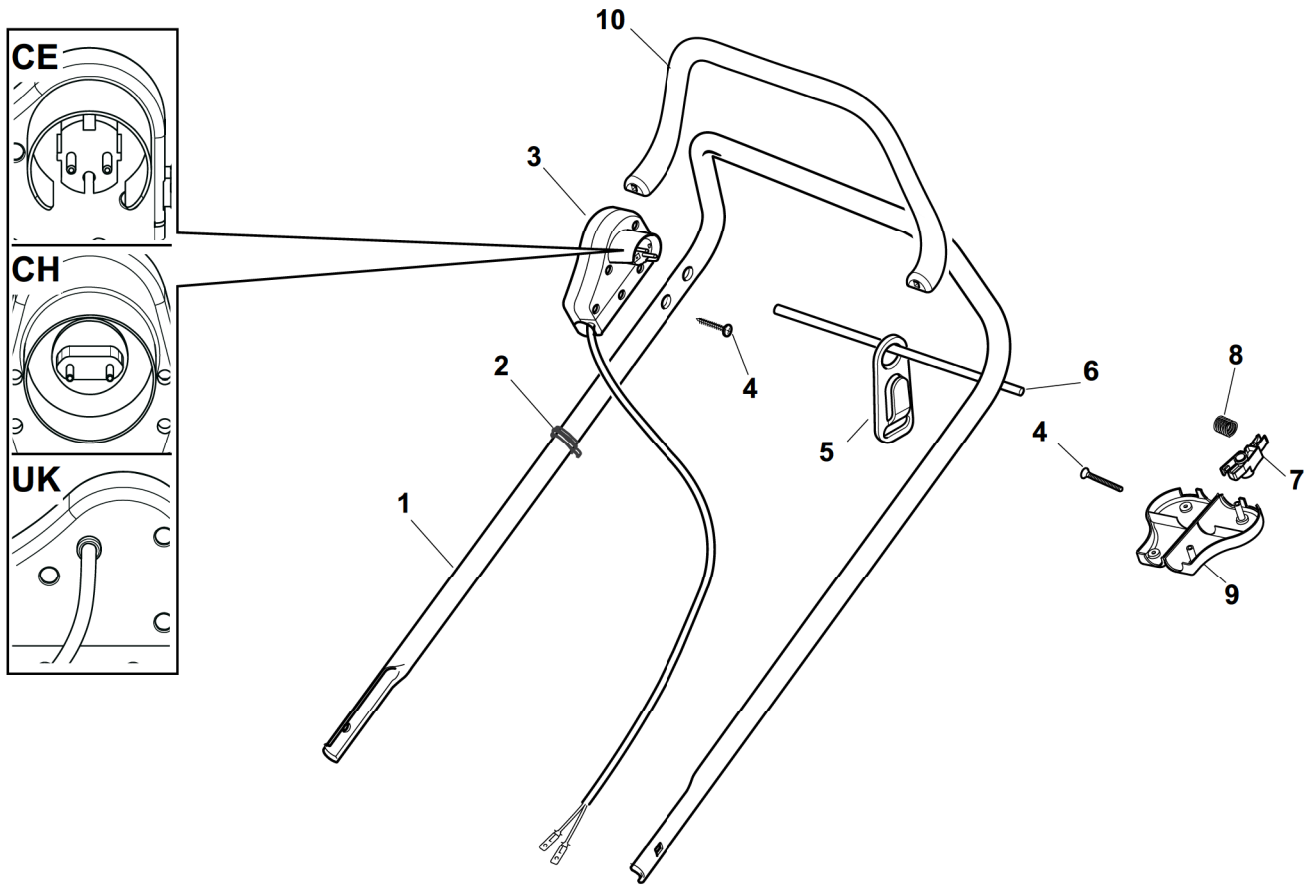
480



2009

E21007.0

1 / 1

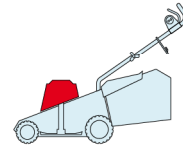


POS.	CODE	Q.TY	DESCRIZIONE	DESCRIPTION	DESCRIPTION	BESCHREIBUNG	REMARKS
1	81007017/2	1	Manico, Parte Sup	Handle, Upper Part	Mancheron, Partie Supérieure	Holm, Oberteil	
2	22192000/1	2	Fascetta	Anchor Clamp	Collier Ancrage	Bowdenzughalter	
3	381600503/2	1	Salvatore	Dead Hand Switch	Int. Main Morte	Tot Manschalter	CE
3	381600505/2	1	Salvatore	Dead Hand Switch	Int. Main Morte	Tot Manschalter	UK
3	381600504/2	1	Salvatore	Dead Hand Switch	Int. Main Morte	Tot Manschalter	CH
4	12728701/0	4	Vite	Screw	Vis	Schraube	
5	22195101/4	1	Fermacavo	Fairlead	Fixation Cable	Kabelbefestigung	
6	22010251/0	1	Asta Aggancio Fermacavo	Rod, Fairlead Bearing	Tige Support Serrecable	Stange, Kabelhalter	
7	322230350/1	1	Fulcro	Fulcrum Pin	Point D'Appui	Gelenkpunkt	
8	22450115/0	1	Molla	Spring	Ressort	Feder	
9	22785144/0	1	Supporto	Support	Support	Halter	
10	322322881/1	1	Leva Freno Motore, Nero	Lever, Engine Brake	Levier Frein Moteur	Hebel, Motorbremse	
10	322322885/1	1	Leva Freno Motore, Giallo	Lever, Engine Brake	Levier Frein Moteur	Hebel, Motorbremse	

W

WL

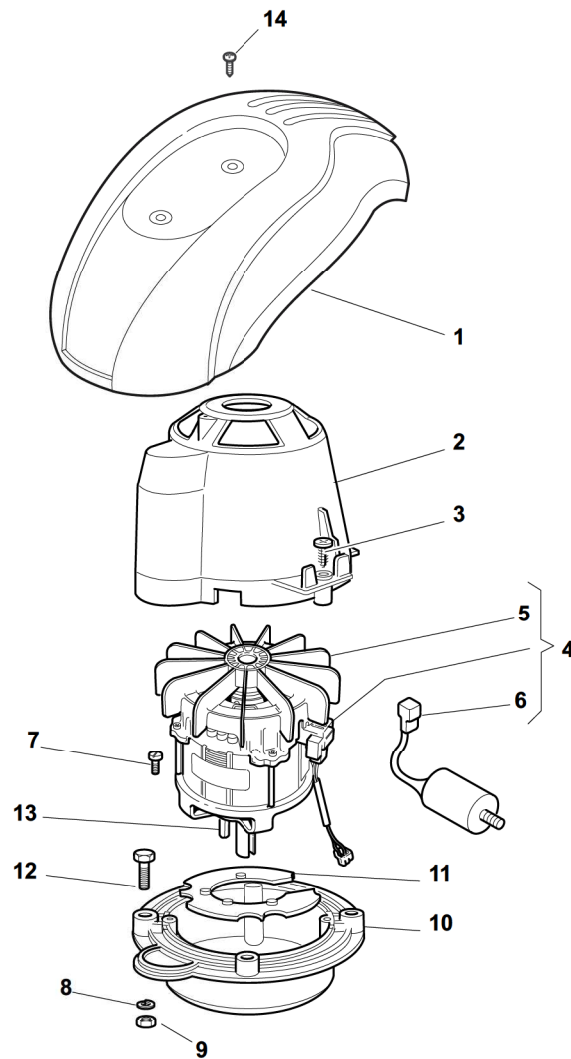
480



2009

E21008.0

1 / 1

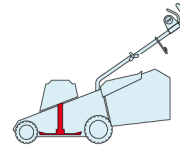


POS.	CODE	Q.TY	DESCRIZIONE	DESCRIPTION	DESCRIPTION	BESCHREIBUNG	REMARKS
1	-	1	Capottina	Cover	Capot	Haube	(See Enclosure 6)
2	22785210/0	1	Supporto Capottina	Support, Cover	Support Capot	Halter, Haube	
3	12728710/0	4	Vite	Screw	Vis	Schraube	
4	118563665/0	1	Motore Leo	Motor Leo	Moteur Leo	Motor Leo	230V (1600W)
4	18563607/0	1	Motore Atb	Motor Atb	Moteur Atb	Motor Atb	240V (1600W)
4	18563605/0	1	Motore Atb	Motor Atb	Moteur Atb	Motor Atb	230V (1600W)
4	18563640/0	1	Motore Atb	Motor Atb	Moteur Atb	Motor Atb	230V (1800W)
5	18740054/0	1	Ventola Per Motore Atb	Fan Motor Atb	Ventilateur Moteur Atb	Lüfter Motor Atb	
6	18222045/0	1	Condensatore 16 µf	Condenser 16 µf	Condenseur 16 µf	Kondensator 16 µf	(Atb - 1600W)
6	18222039/0	1	Condensatore 25 µf	Condenser 25 µf	Condenseur 25 µf	Kondensator 25 µf	(Atb - 1800W)
7	12735410/0	4	Vite	Screw	Vis	Schraube	
8	12583500/0	4	Grower	Grower	Grower	Federring	
9	12293200/0	4	Dado	Nut	Ecrou	Mutter	
10	322207211/4	1	Flangia	Flange	Bride	Flansch	
10	22207216/0	1	Flangia	Flange	Bride	Flansch	480 MulCHing
11	322720360/2	1	Schermo	Ventilation Screen	Ecran Ventilation	Lüftungschirm	
12	12793700/0	4	Vite	Screw	Vis	Schraube	
13	12139440/0	1	Linguetta	Feather	Clavette	Keil	
14	12728680/0	2	Vite	Screw	Vis	Schraube	

W

WL

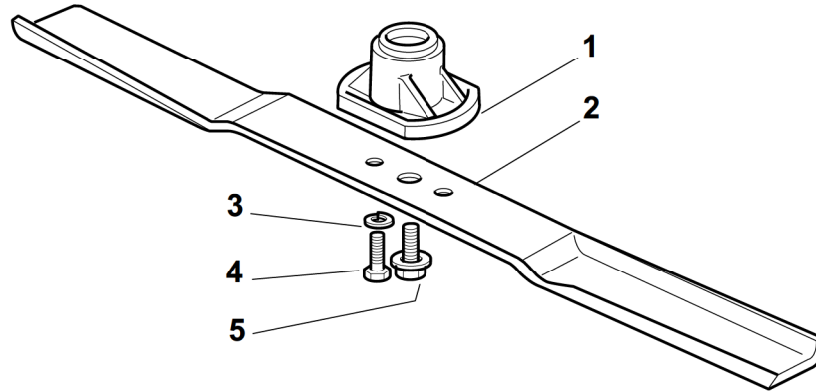
480



2009

E21009.0

1 / 1

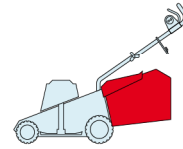


POS.	CODE	Q.TY	DESCRIZIONE	DESCRIPTION	DESCRIPTION	BESCHREIBUNG	REMARKS
1	322463186/3	1	Mozzo	Hub	Moyeu	Halter	
2	81004346/3	1	Coltello Standard	Blade Standard	Lame Standard	Messer Standard	480
2	81004397/0	1	Coltello Alettato	Blade Winged	Lame Ailette	Messer Flügel	480
3	12583500/0	2	Grower	Grower	Grower	Federring	
4	12793101/0	2	Vite	Screw	Vis	Schraube	
5	81004352/0	1	Vite	Screw	Vis	Schraube	

W

WL

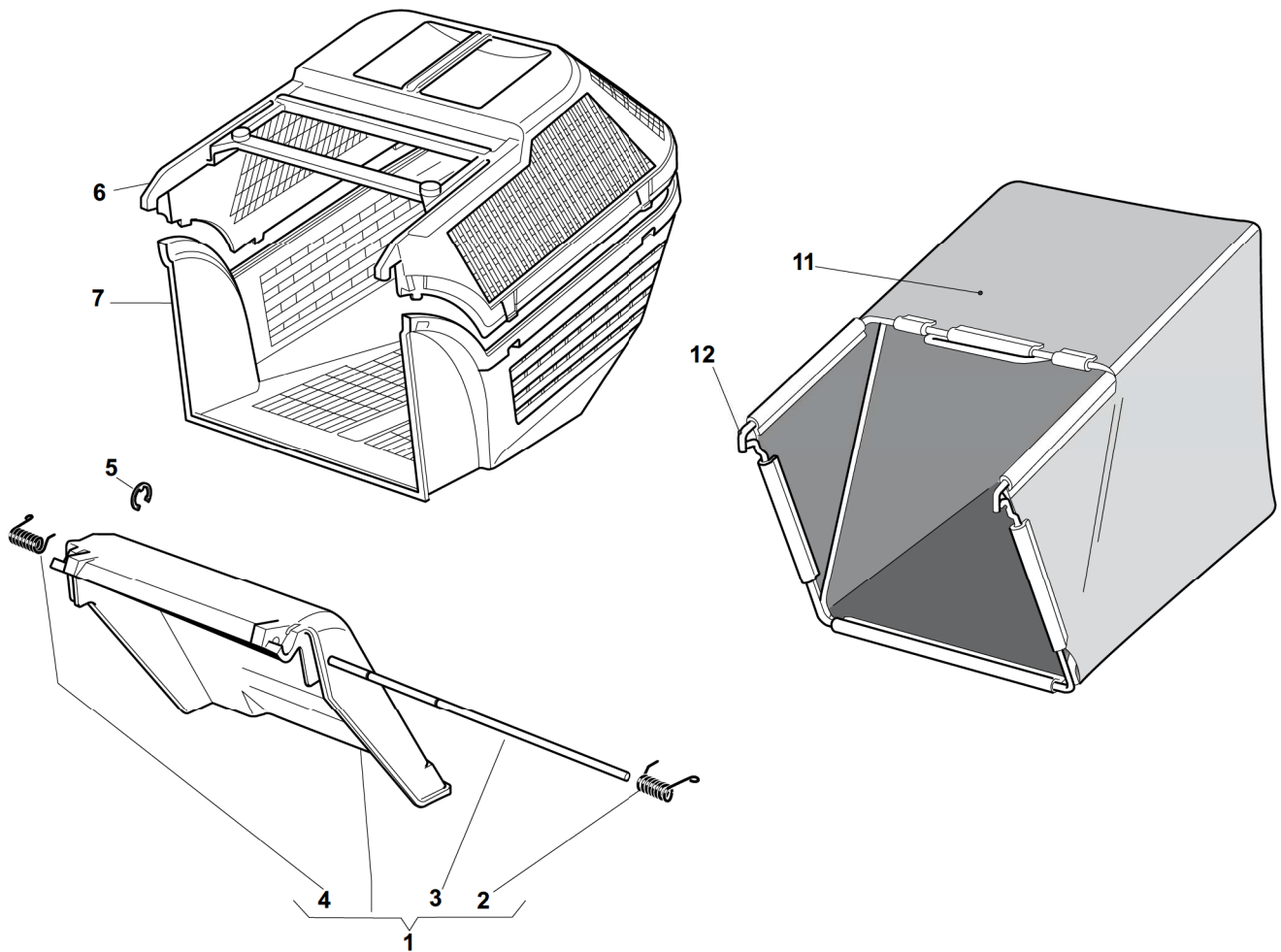
480



2009

E21010.0

1 / 1

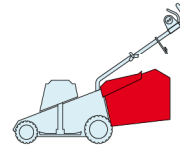


POS.	CODE	Q.TY	DESCRIZIONE	DESCRIPTION	DESCRIPTION	BESCHREIBUNG	REMARKS
1	381007308/2	1	Parasassi	Stone-Guard	Pare-Pierres	Prallblech	
2	22450420/1	1	Molla Sx	L Spring	Ressort G	Linke Feder	
3	22517906/1	1	Perno	Pin	Pivot	Bolzen	
4	22450410/1	1	Molla Dx	R Spring	Ressort D	Rechte Feder	
5	12000930/0	1	Anello Elastico	Snap Ring	Anneau Ressort	Sprengring	
6	22486073/0	1	Sacco, Parte Sup	Grass-Box, Upper	Sac, Partie Superieure	Korb, Oberteil	
7	22486074/0	1	Sacco, Parte Inf	Grass-Box, Lower	Sac, Partie Inferieure	Korb, Unterteil	
11	81002105/2	1	Sacco, Tela	Box, Fabric	Sac, Toile	Sack, Tuck	
12	81006418/0	1	Telaio Sacco	Chassis Box	Châssis Bac	Rahmen Sack	

W

WL

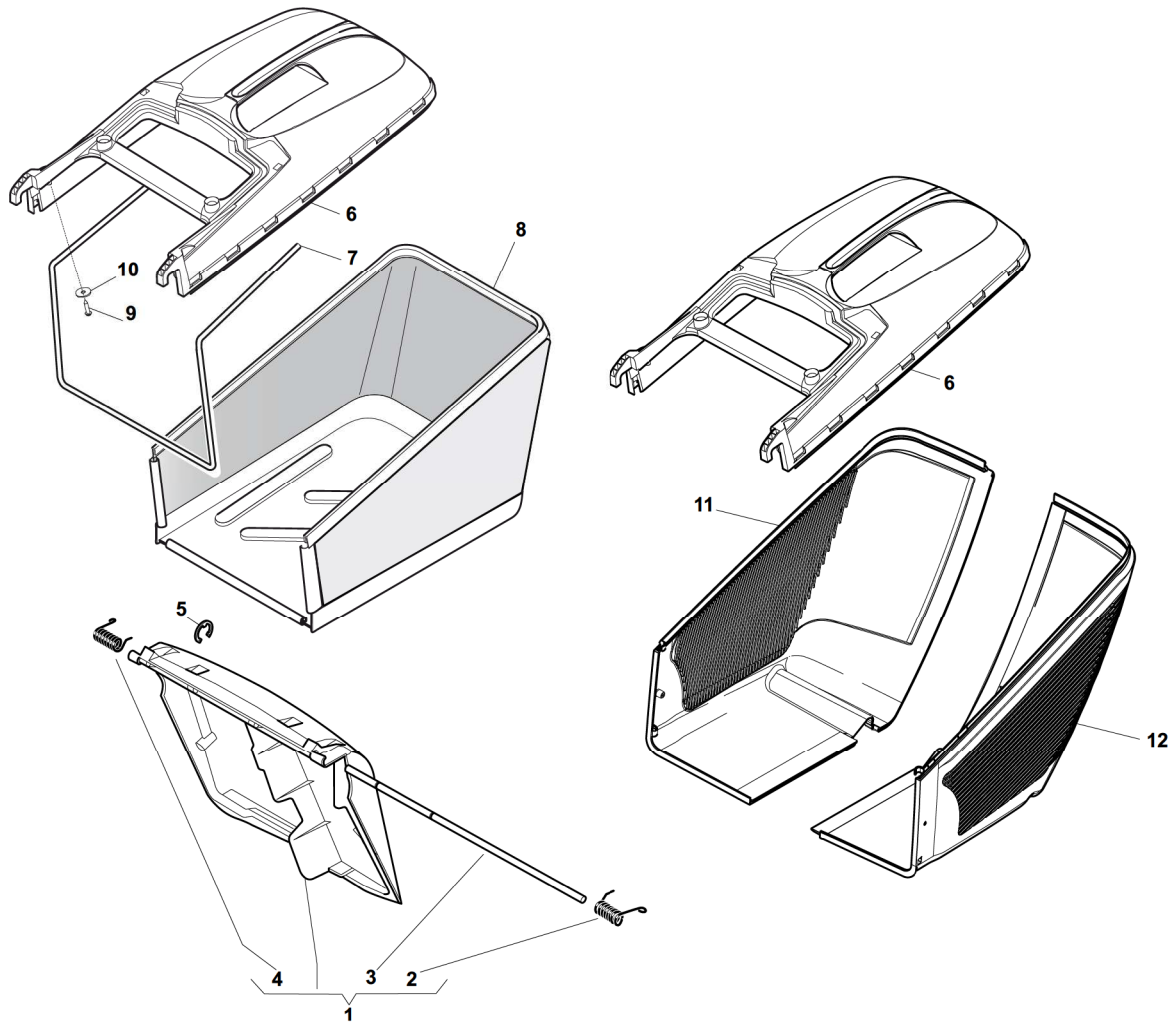
480



2009

E21011.0

1 / 1



POS.	CODE	Q.TY	DESCRIZIONE	DESCRIPTION	DESCRIPTION	BESCHREIBUNG	REMARKS
1	381008021/1	1	Parasassi	Stone-Guard	Pare-Pierres	Prallblech	
2	22450420/1	1	Molla Sx	L Spring	Ressort G	Linke Feder	
3	22517906/1	1	Perno	Pin	Pivot	Bolzen	
4	22450410/1	1	Molla Dx	R Spring	Ressort D	Rechte Feder	
5	12000930/0	1	Anello Elastico	Snap Ring	Anneau Ressort	Sprengring	
6	22486101/0	1	Sacco, Parte Sup	Grass-Box, Upper	Sac, Partie	Korb, Oberteil	
7	22608525/0	1	Rinforzo Inf	Stiffening Lower	Réinforcement Inf	Verstärkung	
8	81002211/0	1	Sacco, Tela	Box, Fabric	Sac, Toile	Sack, Tuck	
9	12728680/0	2	Vite	Screw	Vis	Schraube	
10	12523050/0	2	Rosetta	Washer	Rondelle	Scheibe	
11	322486150/1	1	Sacco, Parte Inf Dx	Grass-Box, R Lower	Sac, Partie Inferieure D	Korb, R Unterteil	
12	322486151/1	1	Sacco, Parte Inf Sx	Grass-Box, L Lower	Sac, Partie Inferieure G	Korb, L Unterteil	