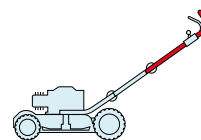


POS.	CODE	Q.TY	DESCRIZIONE	DESCRIPTION	DESCRIPTION	BESCHREIBUNG	REMARKS
1	81002984/0	1	Chassis Giallo	Deck Yellow	Châssis Jaune	Gehäuse Gelb	
2	112735108/1	3	Vite	Screw	Vis	Schraube	
3	12521355/0	3	Rosetta	Washer	Rondelle	Scheibe	
6	22600159/0	1	Protezione	Protection	Protection	Schutz	
7	81008502/0	1	Dotazione Viteria	Outfit, Screws	Dotation Visserie	Satz, Schrauben	
8	22041958/0	4	Bussola Isolamento	Isolation Compass	Boussole De Isolement	Absonderung Kompass	
9	12793701/0	4	Vite	Screw	Vis	Schraube	
10	22671651/0	4	Rosetta	Washer	Rondelle	Scheibe	
11	22551577/0	2	Piastrina Isolamento	Plate	Plaquette	Platte	
12	12155000/0	4	Dado	Nut	Ecrou	Mutter	
13	81006639/0	1	Manico, Parte Inf	Handle, Lower Part	Mancheron, Partie Inferieure	Holm, Unterteil	
14	12361005/0	2	Dado	Nut	Ecrou	Mutter	
15	22399810/0	2	Manopolina	Knob	Poignée	Griff	
16	12521350/0	2	Rosetta	Washer	Rondelle	Scheibe	
17	22430311/0	1	Molla Guida	Guide Spring	Ressort De Guide	Feder Führer	
18	12820655/0	2	Vite	Screw	Vis	Schraube	
19	22545137/0	2	Piastrina Fissaggio Manico	Plate For Handle Fastening	Plaquette Fixage Mancheron	Platte Holmbefestigung	
38	22192001/0	1	Fascetta Ancoraggio	Anchor Clamp	Collier Ancrage	Bowdenzughalter	
39	12728691/0	1	Vite	Screw	Vis	Schraube	

DI 474

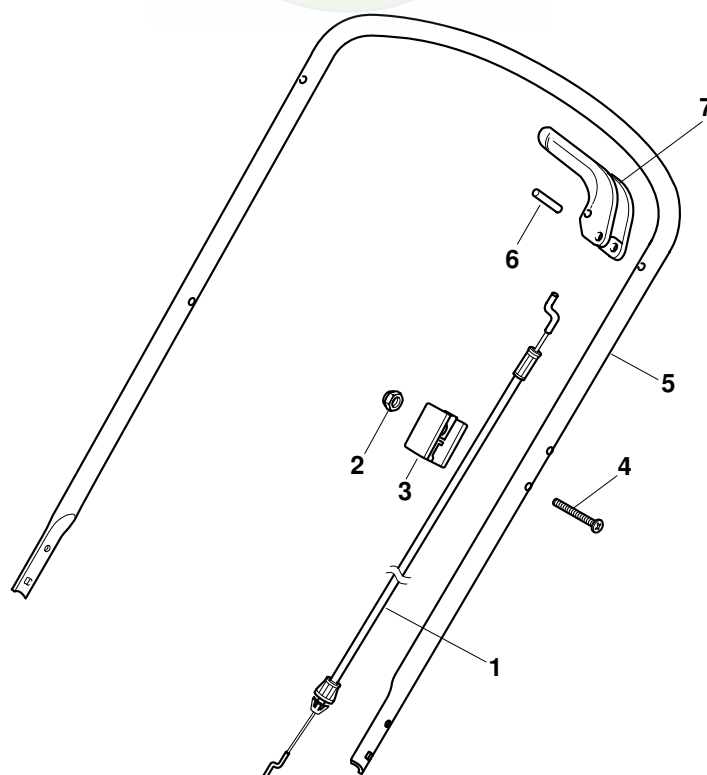
JOIST
SICHER IST DAS
DAS ORIGINAL



2009

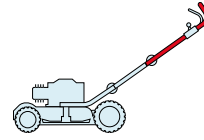
71_002

1 / 1



POS.	CODE	Q.TY	DESCRIZIONE	DESCRIPTION	DESCRIPTION	BESCHREIBUNG	REMARKS
1	181000762/0	1	Cavo Freno Motore	Cable, Thread Engine Brake	Cable Frein Moteur	Kabel, Motorbremse	(B&S 450-500 Series)
1	181000762/0	1	Cavo Freno Motore	Cable, Thread Engine Brake	Cable Frein Moteur	Kabel, Motorbremse	(Ggp 140cc)
1	81000705/0	1	Cavo Freno Motore	Cable, Thread Engine Brake	Cable Frein Moteur	Kabel, Motorbremse	(Ggp 150cc)
1	181000762/0	1	Cavo Freno Motore	Cable, Thread Engine Brake	Cable Frein Moteur	Kabel, Motorbremse	(Ggp 160cc)
2	12154510/0	1	Dado	Nut	Ecrou	Mutter	
3	22551640/0	1	Piastrina	Plate	Plaquette	Plättchen	(GGP)
4	12727783/0	1	Vite	Screw	Vis	Schraube	
5	81006615/1	1	Manico, Parte Sup	Handle, Upper Part	Mancheron, Partie Supérieure	Holm, Oberteil	
6	12645710/0	1	Spina	Pin	Goupille	Stift	
7	322321700/1	1	Leva Freno Motore	Lever, Engine Brake	Levier Frein Moteur	Hebel, Motorbremse	

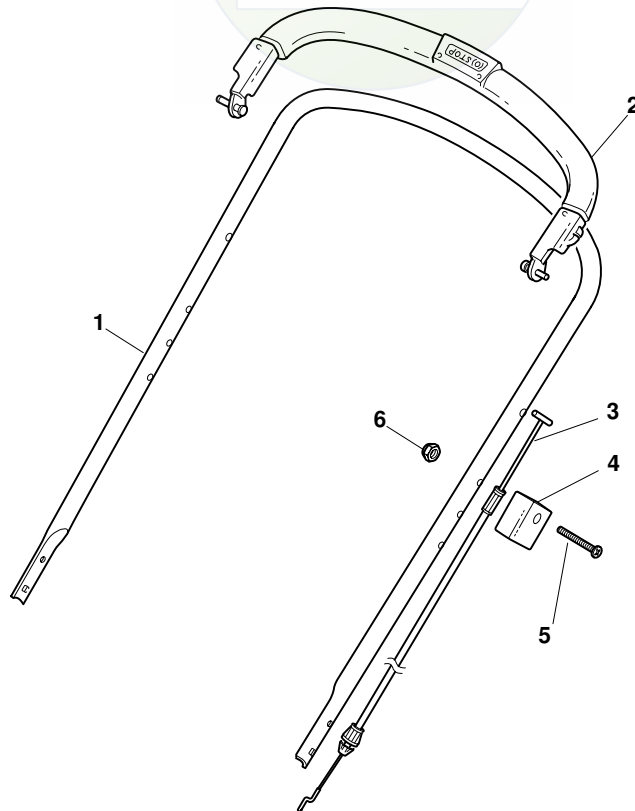
DI 474



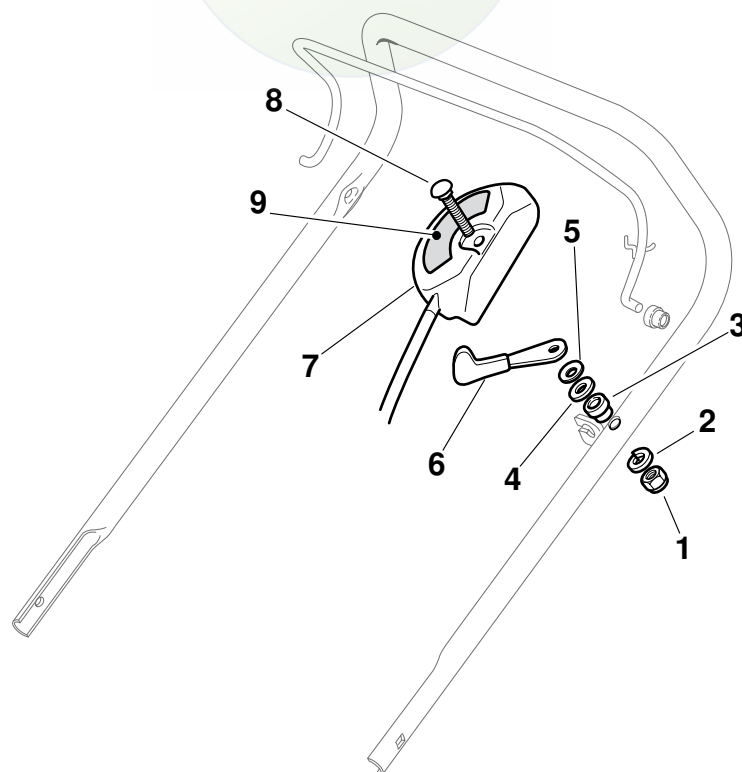
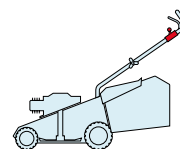
2009

71_003

1 / 1



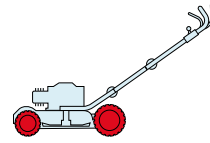
POS.	CODE	Q.TY	DESCRIZIONE	DESCRIPTION	DESCRIPTION	BESCHREIBUNG	REMARKS
1	81006618/1	1	Manico, Parte Sup	Handle, Upper Part	Mancheron, Partie Supérieure	Holm, Oberteil	
2	81003298/1	1	Leva Freno Motore	Lever, Engine Brake	Levier Frein Moteur	Hebel, Motorbremse	
3	81000686/0	1	Cavo Freno Motore	Cable, Thread Engine Brake	Cable Frein Moteur	Kabel, Motorbremse	(B&S 450-500 Series)
3	81000688/0	1	Cavo Freno Motore	Cable, Thread Engine Brake	Cable Frein Moteur	Kabel, Motorbremse	(Ggp 150cc)
3	81000685/0	1	Cavo Freno Motore	Cable, Thread Engine Brake	Cable Frein Moteur	Kabel, Motorbremse	(Ggp 160cc)
3	81000685/0	1	Cavo Freno Motore	Cable, Thread Engine Brake	Cable Frein Moteur	Kabel, Motorbremse	(Ggp 160cc)
4	22551640/0	1	Piastrina	Plate	Plaquette	Plättchen	
5	12727783/0	1	Vite	Screw	Vis	Schraube	
6	12154510/0	1	Dado	Nut	Ecrou	Mutter	



POS.	CODE	Q.TY	DESCRIZIONE	DESCRIPTION	DESCRIPTION	BESCHREIBUNG	REMARKS
1	12291000/0	1	Dado	Nut	Ecrou	Mutter	
2	12581500/0	1	Grower	Grower	Grower	Federring	
3	22171005/0	1	Distanziale	Spacer	Entretoise	Distanzring	
4	12521360/0	1	Rosetta	Washer	Rondelle	Scheibe	
5	12508100/0	1	Rosetta Elastica	Spring Washer	Rondelle Elastique	Elastische Scheibe	
6	81007279/1	1	Leva, Acceleratore	Lever, Throttle	Levier, Accelérateur	Hebel, Beshleuniger	(B&S 625-675-700 Series - Honda - Ggp 140-160-196 cc)
6	81007220/0	1	Leva, Acceleratore	Lever, Throttle	Levier, Accelérateur	Hebel, Beshleuniger	(B&S 450-500 Series - Ggp 150 cc)
7	81007080/0	1	Cavo Acceleratore	Throttle Cable	Cable, Accelérateur	Gashebel Kabel	
8	12815000/0	1	Vite	Screw	Vis	Schraube	
9	14356703/0	1	Etichetta	Label	Etiquette	Etikette	(B&S)
9	114356905/0	1	Etichetta	Label	Etiquette	Etikette	(B&S 700 series DOV)
9	14356702/0	1	Etichetta	Label	Etiquette	Etikette	(GGP)
9	114364264/0	1	Etichetta	Label	Etiquette	Etikette	AVS (GGP 160-196)
9	14356702/0	1	Etichetta	Label	Etiquette	Etikette	(Honda)
9	114356905/0	1	Etichetta	Label	Etiquette	Etikette	(Honda GCV 160-190 Autochoke)

DI 474

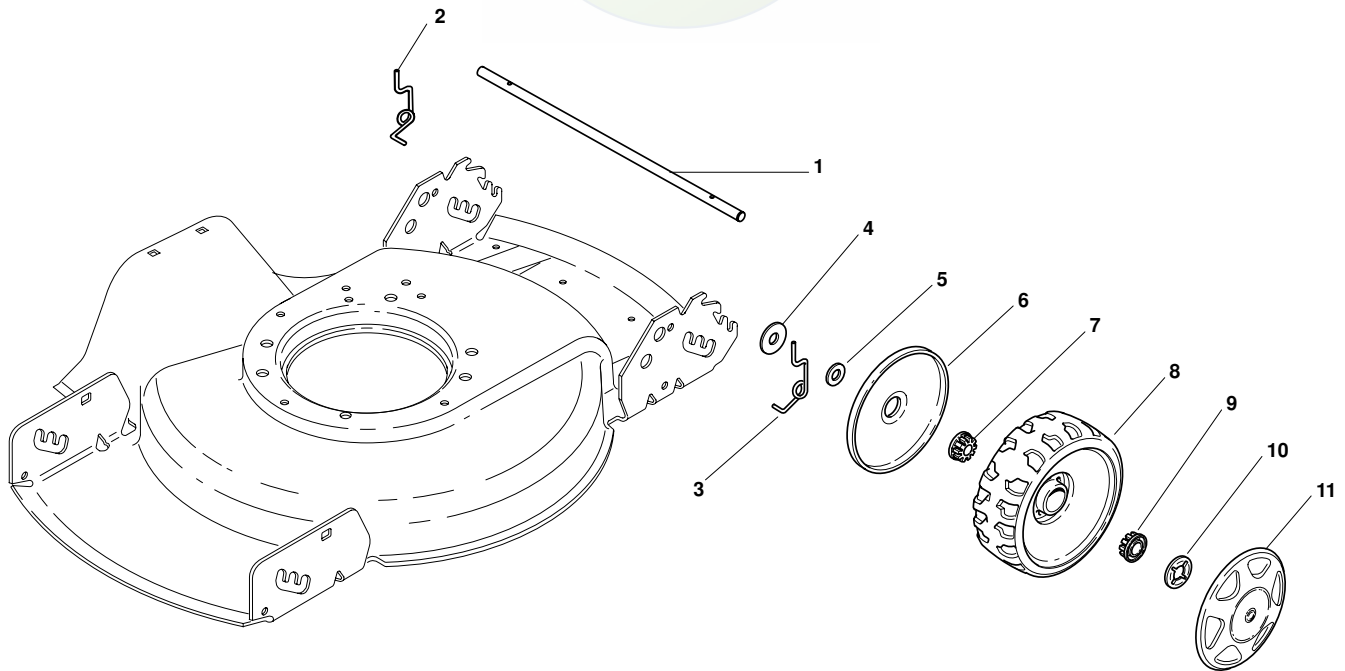
JOIST
SICHER IST DAS
DAS ORIGINAL



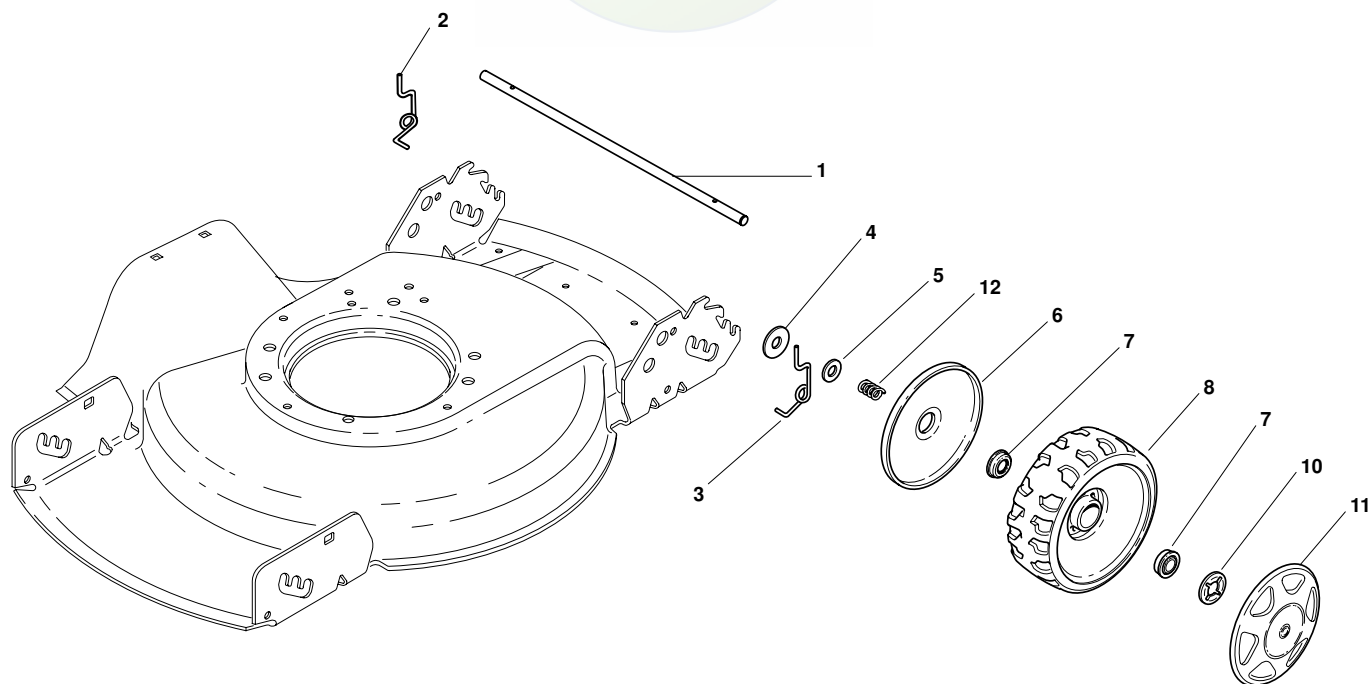
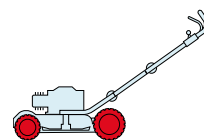
2009

71_005

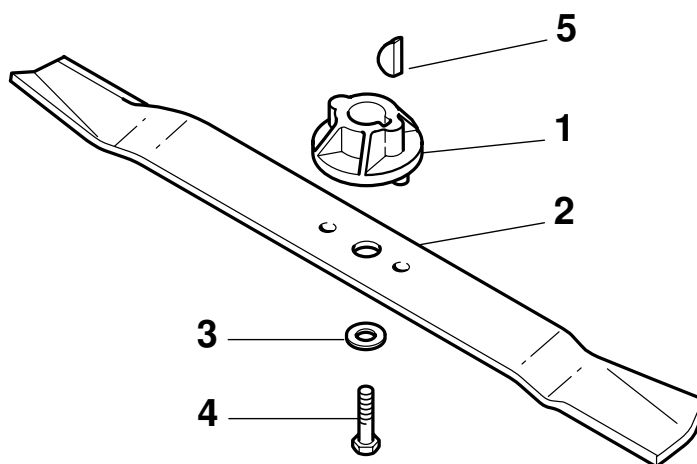
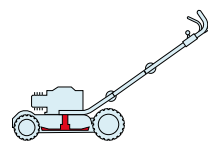
1 / 1



POS.	CODE	Q.TY	DESCRIZIONE	DESCRIPTION	DESCRIPTION	BESCHREIBUNG	REMARKS
1	22033395/0	2	Asse	Axle	Axe	Achse	
2	22450442/0	2	Molla Dx	R Spring	Ressort D	Rechte Feder	
3	22450441/0	2	Molla Sx	L Spring	Ressort G	Linke Feder	
4	22671654/0	4	Rondella	Washer	Rondelle	Scheibe	
5	22671659/0	4	Rondella	Washer	Rondelle	Scheibe	
6	22600095/0	4	Protezione	Protection	Protection	Schutz	
7	22034515/1	4	Bussola	Bush	Douille	Buchse	
8	22686091/1	4	Ruota Ø 165	Wheel Ø 165	Roue Ø 165	Rad Ø 165	
9	22034508/0	4	Bussola	Bush	Douille	Buchse	
10	22020050/0	4	Anello Elastico	Snap Ring	Anneau Ressort	Sprengring	
11	-	4	Coprizzo	Hub Cap	Couvre-Moyeu	Radkappe	(See Enclosure 1)



POS.	CODE	Q.TY	DESCRIZIONE	DESCRIPTION	DESCRIPTION	BESCHREIBUNG	REMARKS
1	22033395/0	2	Asse	Axle	Axe	Achse	
2	22450442/0	2	Molla Dx	R Spring	Ressort D	Rechte Feder	
3	22450441/0	2	Molla Sx	L Spring	Ressort G	Linke Feder	
4	22671654/0	4	Rondella	Washer	Rondelle	Scheibe	
5	22671659/0	4	Rondella	Washer	Rondelle	Scheibe	
6	22600095/0	4	Protezione	Protection	Protection	Schutz	
7	22122200/0	8	Cuscinetto	Bearing	Coussinet	Lager	
8	22686091/1	4	Ruota Ø 165	Wheel Ø 165	Roue Ø 165	Rad Ø 165	
10	22020050/0	4	Anello Elastico	Snap Ring	Anneau Ressort	Sprengring	
11	-	4	Coprimezzo	Hub Cap	Couvre-Moyeu	Radkappe	(See Enclosure 1)
12	22430215/0	4	Molla	Spring	Ressort	Feder	



POS.	CODE	Q.TY	DESCRIZIONE	DESCRIPTION	DESCRIPTION	BESCHREIBUNG	REMARKS
1	22465617/0	1	Mozzo	Hub	Moyeu	Halter	
2	81004124/1	1	Coltello Standard	Blade Standard	Lame Standard	Messer Standard	
3	12530140/0	1	Rosetta	Washer	Rondelle	Scheibe	
4	12735694/0	1	Vite	Screw	Vis	Schraube	
5	12139100/0	1	Linguetta	Feather	Clavette	Keil	