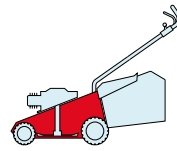
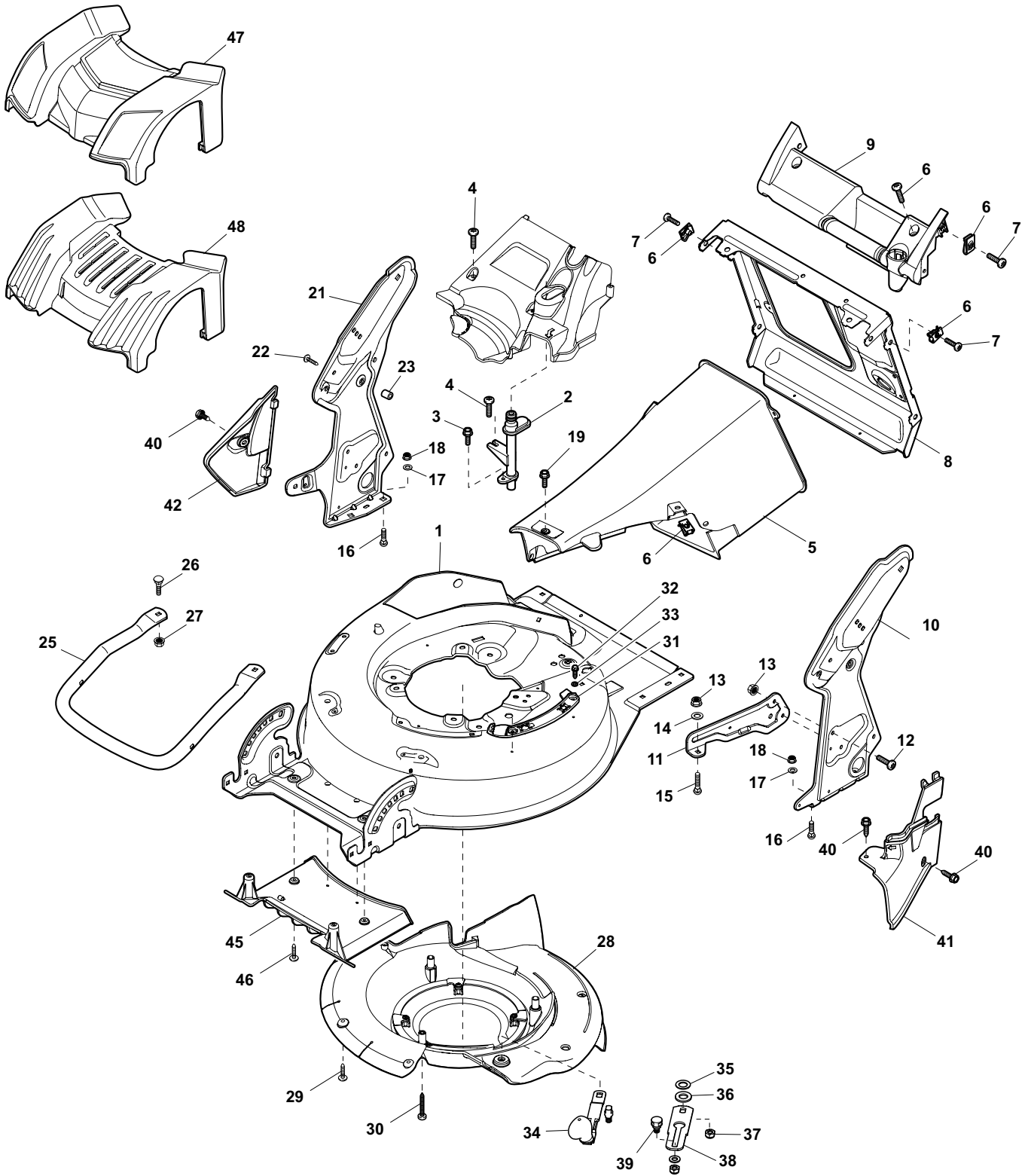


DML				
504	504TR	504WTR	504TR4S	504WTR4S
	504TR-E	504WTR-E	504TR-E4S	504WTR-E4S



2009
92_001.0
1 / 2



POS.	CODE	Q.TY	DESCRIZIONE	DESCRIPTION	DESCRIPTION	BESCHREIBUNG	REMARKS
1	381003852/0	1	Chassis Grigio	Deck Grey	Châssis Gris	Gehäuse Grau	
1	322064706/0	1	Chassis INOX	Deck INOX	Châssis INOX	Gehäuse INOX	
2	322034001/0	1	Attacco Acqua Lavaggio	Washing Connection	Attaque Lavage	Waschenverbindung	
3	125943004/0	1	Vite	Screw	Vis	Schraube	
4	112727802/0	2	Vite	Screw	Vis	Schraube	
5	322108288/0	1	Convogliatore Rosso	Conveyor Red	Convoyeur Rouge	Leitblechsatz Rot	
5	322108290/0	1	Convogliatore Giallo	Conveyor Yellow	Convoyeur Jaune	Leitblechsatz Gelb	
6	112437507/0	10	Piastrina	Plate	Plaquette	Plättchen	
7	112727802/0	8	Vite	Screw	Vis	Schraube	
8	381545321/0	1	Piastra Posteriore	Rear Plate	Plaque Arriere	Hintere Platte	
8	381545323/0	1	Piastra Posteriore	Rear Plate	Plaque Arriere	Hintere Platte	only TR-E
9	322785282/0	1	Supporto	Support	Support	Halter	
10	381545327/0	1	Staffa Sx	Bracket, L	Bride G	Pratze, Linke	
11	322545191/0	1	Supporto	Support	Support	Halter	
12	112727803/0	2	Vite	Screw	Vis	Schraube	
13	12154510/0	2	Dado	Nut	Ecrou	Mutter	
14	12521330/0	1	Rosetta	Washer	Rondelle	Scheibe	
15	12815200/0	1	Vite	Screw	Vis	Schraube	
16	12818690/0	4	Vite	Screw	Vis	Schraube	
17	12521350/0	4	Rosetta	Washer	Rondelle	Scheibe	
18	12155000/0	4	Dado	Nut	Ecrou	Mutter	
19	12729601/1	1	Vite	Screw	Vis	Schraube	
21	381545325/0	1	Staffa Dx	Bracket, R	Bride D	Pratze, Rechte	
22	112735662/1	2	Vite	Screw	Vis	Schraube	
23	122534128/0	2	Piolo	Pin	Bondon	Dübel	
25	381393701/0	2	Protezione	Protection	Protection	Schutz	
26	12815205/0	2	Vite	Screw	Vis	Schraube	
27	12154510/0	2	Dado	Nut	Ecrou	Mutter	
28	381102200/0	1	Carter	Protection	Protection	Schutz	
29	125943004/0	2	Vite	Screw	Vis	Schraube	
30	112735115/0	3	Vite	Screw	Vis	Schraube	
31	322500052/1	1	Pattino	Shoe	Bloc De Glissement	Gleitblock	
32	12731580/0	2	Vite	Screw	Vis	Schraube	
33	12521331/0	2	Rosetta	Washer	Rondelle	Scheibe	
34	381003338/0	1	Leva Comando	Lever	Levier	Hebel	
35	21660100/0	1	Rosetta	Washer	Rondelle	Scheibe	
36	12521370/0	1	Rondella	Washer	Rondelle	Scheibe	
37	12293201/0	1	Dado	Nut	Ecrou	Mutter	
38	322320009/0	1	Leva	Lever	Levier	Hebel	
39	122042022/0	1	Bussola	Bush	Douille	Buchse	
40	125943004/0	3	Vite	Screw	Vis	Schraube	
41	322109826/0	1	Carter Nero	Guard Black	Carter Noire	Blech Schwarz	
42	322109825/0	1	Carter Nero	Guard Black	Carter Noire	Blech Schwarz	
45	322500100/0	1	Griglia Aspirazione	Air Intake Grill	Grille D'Aspiration	Ansauggitter	
46	112728706/0	6	Vite	Screw	Vis	Schraube	
47	322226134/0	1	Mascherina, Rosso	Mask, Red	Mesque, Rouge	Maske, Rot	
48	322226135/0	1	Mascherina, Giallo	Mask, Yellow	Mesque, Jaune	Maske, Gelb	

DML

504

504TR

504WTR

504TR4S

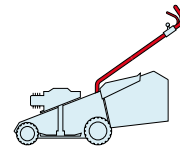
504WTR4S

504TR-E

504WTR-E

504TR-E4S

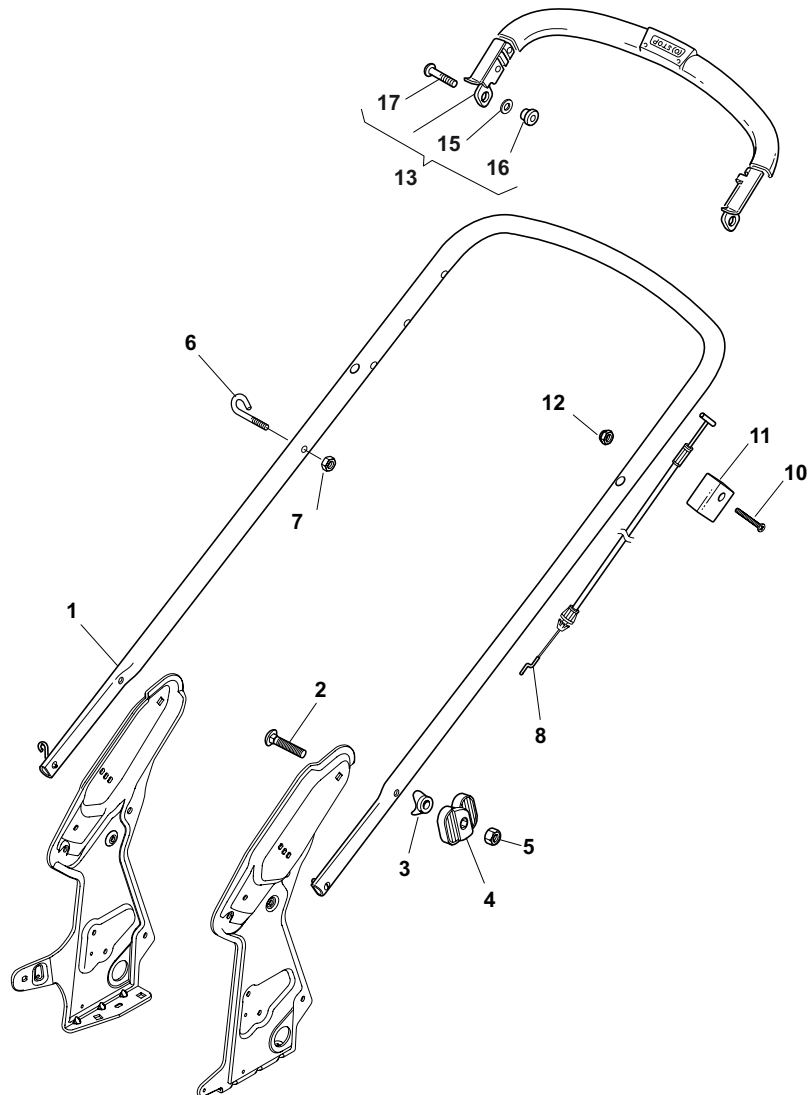
504WTR-E4S



2009

92_002.0

1 / 1



POS.	CODE	Q.TY	DESCRIZIONE	DESCRIPTION	DESCRIPTION	BESCHREIBUNG	REMARKS
1	381006877/0	1	Manico, Parte Sup	Handle, Upper Part	Mancheron, Partie Superieure	Holm, Oberteil	
2	12819120/0	2	Vite	Screw	Vis	Schraube	
3	22680006/1	2	Rosetta	Washer	Rondelle	Scheibe	
4	22399803/0	2	Manopolina	Knob	Poignée	Griff	
5	12293200/0	2	Dado	Nut	Ecrou	Mutter	
6	22430313/0	1	Molla Guida	Guide Spring	Ressort De Guide	Feder Führer	
7	12154510/0	1	Dado	Nut	Ecrou	Mutter	
8	181030043/0	1	Cavo Freno Motore	Cable, Thread Engine Brake	Cable Frein Moteur	Kabel, Motorbremse	(Ggp 140-160 cc)
8	181030041/0	1	Cavo Freno Motore	Cable, Thread Engine Brake	Cable Frein Moteur	Kabel, Motorbremse	(B&S 500 series)
10	12689500/0	2	Vite	Screw	Vis	Schraube	
11	22551640/0	1	Piastrina	Plate	Plaquette	Plättchen	
12	12154510/0	1	Dado	Nut	Ecrou	Mutter	
13	381003330/0	1	Leva Freno Motore	Lever, Engine Brake	Levier Frein Moteur	Hebel, Motorbremse	
15	12523010/0	2	Rosetta	Washer	Rondelle	Scheibe	
16	22041960/0	2	Bussola	Bush	Douille	Buchse	
17	122524328/0	2	Perno	Pin	Pivot	Bolzen	

DML

504

504TR

504WTR

504TR4S

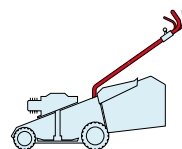
504WTR4S

504TR-E

504WTR-E

504TR-E4S

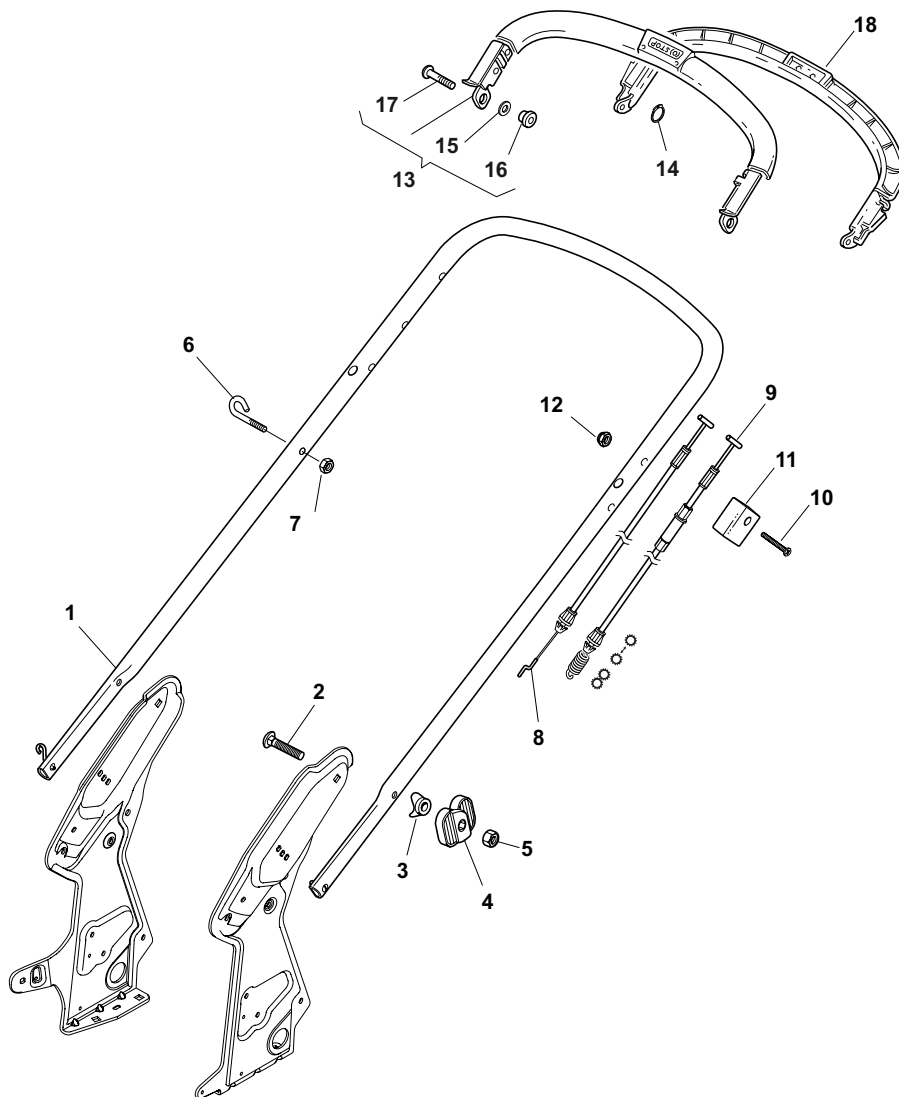
504WTR-E4S



2009

92_003.0

1 / 2



POS.	CODE	Q.TY	DESCRIZIONE	DESCRIPTION	DESCRIPTION	BESCHREIBUNG	REMARKS
1	381006877/0	1	Manico, Parte Sup	Handle, Upper Part	Mancheron, Partie Superieure	Holm, Oberteil	
2	12819120/0	2	Vite	Screw	Vis	Schraube	
3	22680006/1	2	Rosetta	Washer	Rondelle	Scheibe	
4	22399803/0	2	Manopolina	Knob	Poignée	Griff	
5	12293200/0	2	Dado	Nut	Ecrou	Mutter	
6	22430313/0	1	Molla Guida	Guide Spring	Ressort De Guide	Feder Führer	
7	12154510/0	1	Dado	Nut	Ecrou	Mutter	
8	181030043/0	1	Cavo Freno Motore	Cable, Thread Engine Brake	Cable Frein Moteur	Kabel, Motorbremse	(Ggp 140-160 cc)
8	181030043/0	1	Cavo Freno Motore	Cable, Thread Engine Brake	Cable Frein Moteur	Kabel, Motorbremse	(B&S 625-675 series)
8	181030041/0	1	Cavo Freno Motore	Cable, Thread Engine Brake	Cable Frein Moteur	Kabel, Motorbremse	(B&S 500 series)
8	181030041/0	1	Cavo Freno Motore	Cable, Thread Engine Brake	Cable Frein Moteur	Kabel, Motorbremse	(Honda GCV 190)
9	381030048/0	1	Cavo Comando Traz.	Cable, Rear Drive	Câble, Commande Traction	Kabel, Antrieb	
10	12689500/0	2	Vite	Screw	Vis	Schraube	
11	22551640/0	1	Piastrina	Plate	Plaquette	Plättchen	
12	12154510/0	1	Dado	Nut	Ecrou	Mutter	
13	381003330/0	1	Leva Freno Motore	Lever, Engine Brake	Levier Frein Moteur	Hebel, Motorbremse	

POS.	CODE	Q.TY	DESCRIZIONE	DESCRIPTION	DESCRIPTION	BESCHREIBUNG	REMARKS
14	12000930/0	2	Benzing	Benzing	Benzing	Benzing	
15	12523010/0	2	Rosetta	Washer	Rondelle	Scheibe	
16	22041960/0	2	Bussola	Bush	Douille	Buchse	
17	122524328/0	2	Perno	Pin	Pivot	Bolzen	
18	81003297/1	1	Leva Trazione	Driving Lever	Levier Traction	Antriebhebel	

DML

504

504TR

504WTR

504TR4S

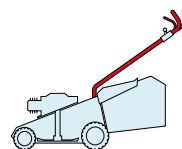
504WTR4S

504TR-E

504WTR-E

504TR-E4S

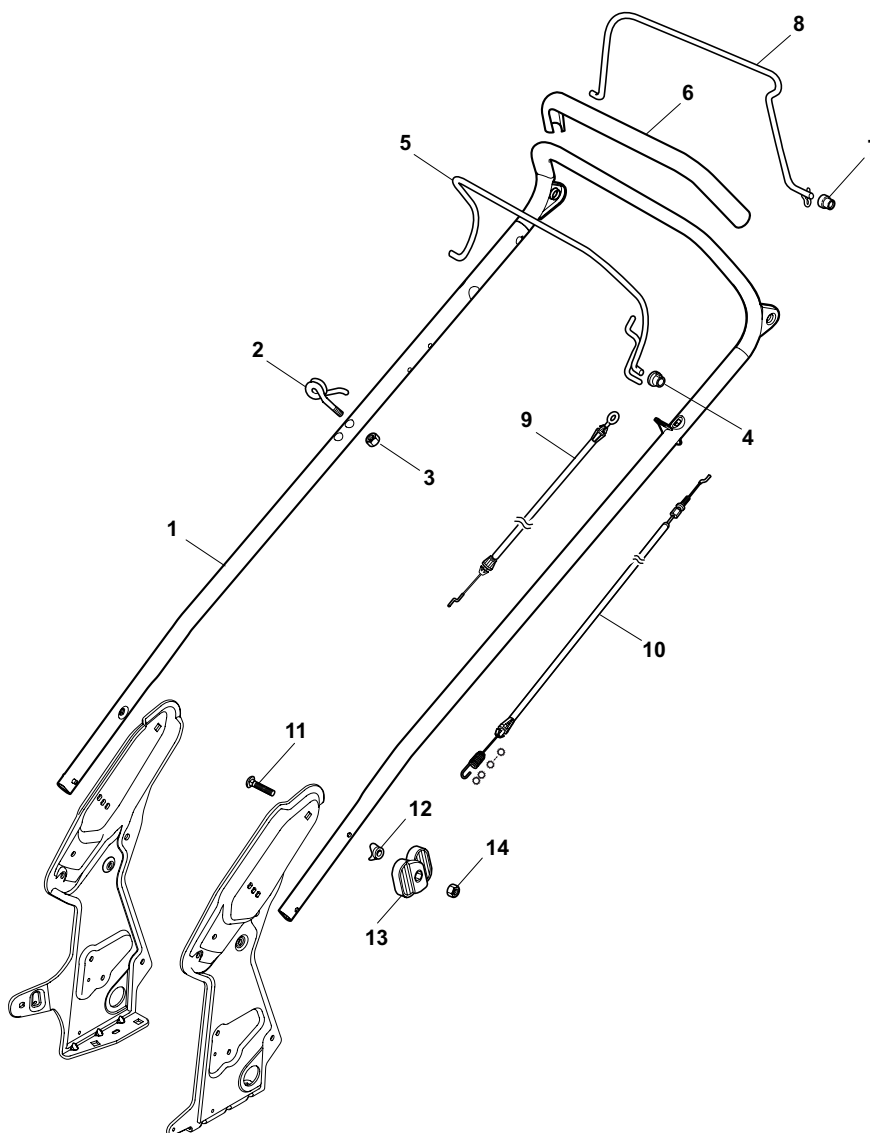
504WTR-E4S



2009

92_004.0

1 / 1



POS.	CODE	Q.TY	DESCRIZIONE	DESCRIPTION	DESCRIPTION	BESCHREIBUNG	REMARKS
1	381006881/0	1	Manico, Parte Sup	Handle, Upper Part	Mancheron, Partie Superieure	Holm, Oberteil	
2	22430309/0	1	Molla Guida	Guide Spring	Ressort De Guide	Feder Führer	
3	12154330/0	1	Dado	Nut	Ecrou	Mutter	
4	22041966/0	2	Bussola	Bush	Douille	Buchse	
5	81003291/3	1	Leva Freno Motore	Lever, Engine Brake	Levier Frein Moteur	Hebel, Motorbremse	
6	22291050/0	1	Impug. Manico Nera	Handgrip Black	Poignée Noire	Handgriff Schwarz	
7	22041965/1	2	Bussola	Bush	Douille	Buchse	
8	81003288/1	1	Leva Trazione	Lever, Driving	Levier Traction	Hebel, Antrieb	
9	181030040/0	1	Cavo Freno Motore	Cable, Thread Engine Brake	Cable Frein Moteur	Kabel, Motorbremse	(GGP Eng. 140-160 cc)
9	81000616/1	1	Cavo Freno Motore	Cable, Thread Engine Brake	Cable Frein Moteur	Kabel, Motorbremse	(B&S 675 Series)
9	81000760/0	1	Cavo Freno Motore	Cable, Thread Engine Brake	Cable Frein Moteur	Kabel, Motorbremse	(B&S 625 series)
10	381030047/0	1	Cavo Comando Traz.	Cable, Rear Drive	Câble, Commande Traction	Kabel, Antrieb	
11	12819120/0	2	Vite	Screw	Vis	Schraube	
12	22680006/1	2	Rosetta	Washer	Rondelle	Scheibe	
13	22399803/0	2	Manopolina	Knob	Poignée	Griff	
14	12293202/0	2	Dado	Nut	Ecrou	Mutter	

DML

504

504TR

504WTR

504TR4S

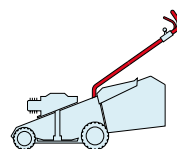
504WTR4S

504TR-E

504WTR-E

504TR-E4S

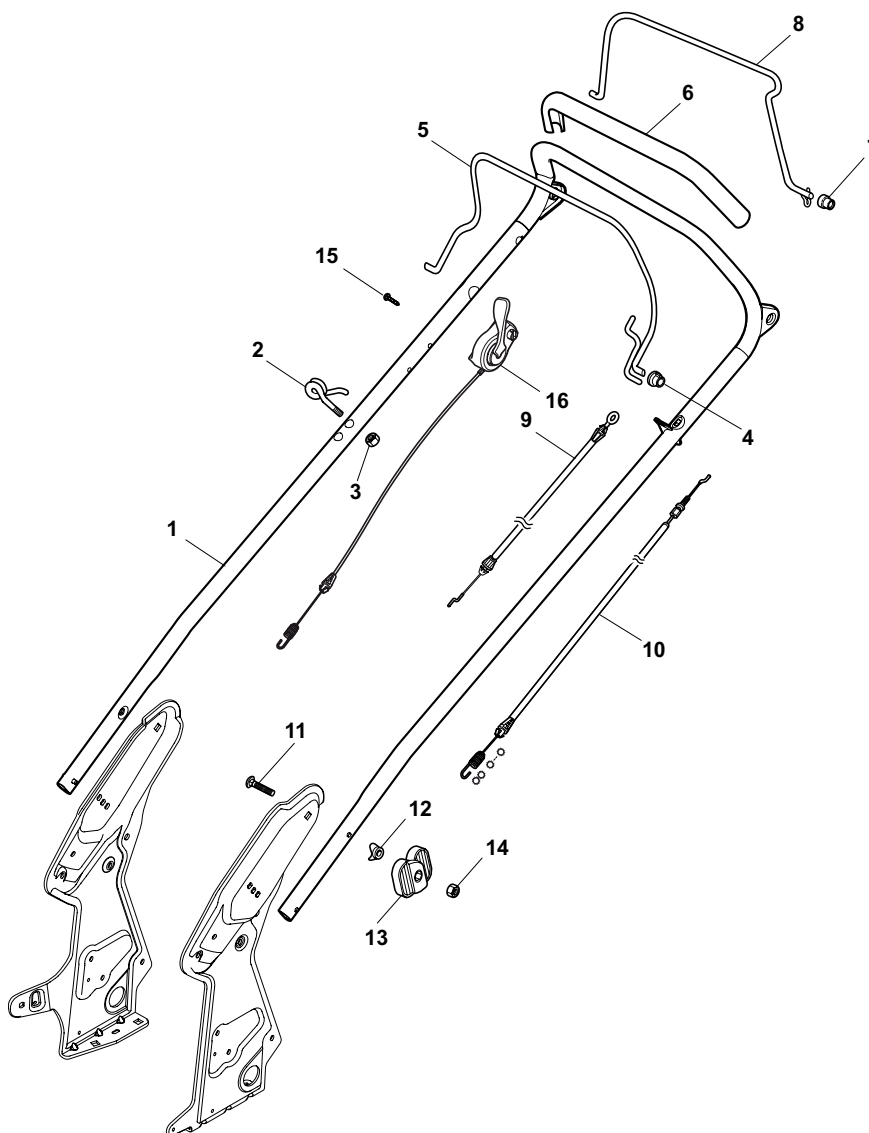
504WTR-E4S



2009

92_005.0

1 / 2



POS.	CODE	Q.TY	DESCRIZIONE	DESCRIPTION	DESCRIPTION	BESCHREIBUNG	REMARKS
1	381006881/0	1	Manico, Parte Sup. - Nero	Handle, Upper Part, Black	Mancheron, Partie Superieure, Noire	Holm, Oberteil, Schwarz	
1	381006879/0	1	Manico, Parte Sup. - Grigio	Handle, Upper Part, Grey	Mancheron, Partie Superieure, Gris	Holm, Oberteil, Grau	
2	22430309/0	1	Molla Guida	Guide Spring	Ressort De Guide	Feder Führer	
3	12154330/0	1	Dado	Nut	Ecrou	Mutter	
4	22041966/0	2	Bussola	Bush	Douille	Buchse	
5	81003291/3	1	Leva Freno Motore	Lever, Engine Brake	Levier Frein Moteur	Hebel, Motorbremse	
6	22291050/0	1	Impugnatura Manico Nera	Handgrip Black	Poignée Noire	Handgriff Schwarz	
7	22041965/1	2	Bussola	Bush	Douille	Buchse	
8	81003288/1	1	Leva Trazione	Lever, Driving	Levier Traction	Hebel, Antrieb	
9	381030046/0	1	Cavo Freno Motore	Cable, Thread Engine Brake	Cable Frein Moteur	Kabel, Motorbremse	(B&S 675 Series)
9	381030046/0	1	Cavo Freno Motore	Cable, Thread Engine Brake	Cable Frein Moteur	Kabel, Motorbremse	(Honda GCV 190)
10	381030048/0	1	Cavo Comando Trazione	Cable, Rear Drive	Câble, Commande Traction	Kabel, Antrieb	

POS.	CODE	Q.TY	DESCRIZIONE	DESCRIPTION	DESCRIPTION	BESCHREIBUNG	REMARKS
11	12819120/0	2	Vite	Screw	Vis	Schraube	
12	22680006/1	2	Rosetta	Washer	Rondelle	Scheibe	
13	22399803/0	2	Manopolina	Knob	Poignée	Griff	
14	12293202/0	2	Dado	Nut	Ecrou	Mutter	
15	12727784/0	1	Vite	Screw	Vis	Schraube	
16	381030046/0	1	Cavo Comando Frizio- ne Meccanica	Cable, Mechanical Clutch	Câble, Commande Embraya- ge Mecanique	Kabel, Mechanische Kupplung	

DML

504

504 TR

504 WTR

504 TR 4S

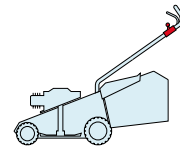
504 WTR 4S

504 TR-E

504 WTR-E

504 TR-E 4S

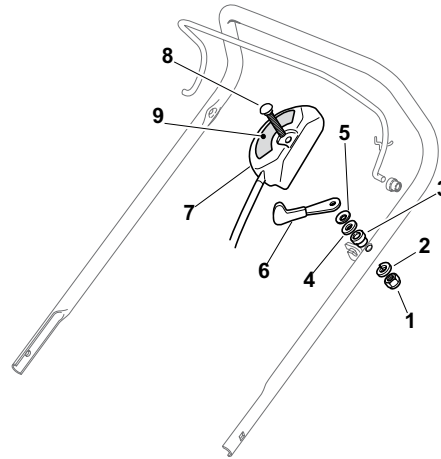
504 WTR-E 4S



2009

92_006.0

1 / 1



POS.	CODE	Q.TY	DESCRIZIONE	DESCRIPTION	DESCRIPTION	BESCHREIBUNG	REMARKS
1	12291000/0	1	Dado	Nut	Ecrou	Mutter	
2	12581500/0	1	Grower	Grower	Grower	Federring	
3	22171005/0	1	Distanziale	Spacer	Entretoise	Distanzring	
4	12521360/0	1	Rosetta	Washer	Rondelle	Scheibe	
5	12508100/0	1	Rosetta Elastica	Spring Washer	Rondelle Elastique	Elastische Scheibe	
6	81007279/1	1	Leva, Acceleratore	Lever, Throttle	Levier, Accelérateur	Hebel, Beshleuniger	(B&S 625-675-700 Series - Honda - Ggp 140-160-196 cc)
6	81007220/0	1	Leva, Acceleratore	Lever, Throttle	Levier, Accelérateur	Hebel, Beshleuniger	(B&S 450-500 Series - Ggp 150 cc)
7	81007080/0	1	Cavo Acceleratore	Throttle Cable	Cable, Accelérateur	Gashebel Kabel	
8	12815000/0	1	Vite	Screw	Vis	Schraube	
9	14356703/0	1	Etichetta	Label	Etiquette	Etikette	(B&S)
9	114356905/0	1	Etichetta	Label	Etiquette	Etikette	(B&S 700 series DOV)
9	14356702/0	1	Etichetta	Label	Etiquette	Etikette	(GGP)
9	114364264/0	1	Etichetta	Label	Etiquette	Etikette	AVS (GGP 160-196)
9	14356702/0	1	Etichetta	Label	Etiquette	Etikette	(Honda)
9	114356905/0	1	Etichetta	Label	Etiquette	Etikette	(Honda GCV 160-190 Autochoke)

DML

504

504TR

504WTR

504TR4S

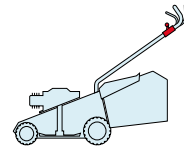
504WTR4S

504TR-E

504WTR-E

504TR-E4S

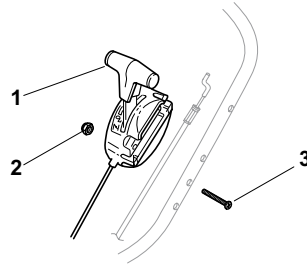
504WTR-E4S



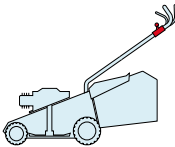
2009

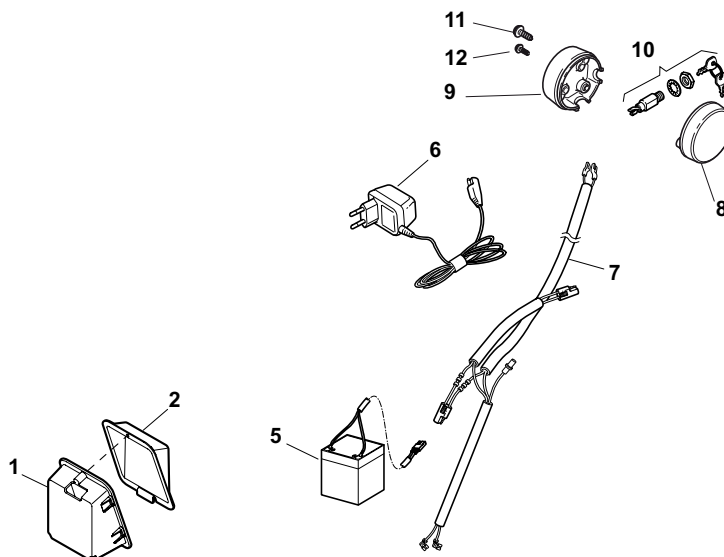
92_007.0

1 / 1



POS.	CODE	Q.TY	DESCRIZIONE	DESCRIPTION	DESCRIPTION	BESCHREIBUNG	REMARKS
1	81007130/0	1	Cavo Acceleratore	Throttle Cable	Cable, Accelérateur	Gashebel Kabel	(Honda)
2	12154510/0	1	Dado	Nut	Ecrou	Mutter	
3	12727786/0	1	Vite	Screw	Vis	Schraube	

DML						2009
504	504TR	504WTR	504TR4S	504WTR4S		92_008.0
	504TR-E	504WTR-E	504TR-E4S	504WTR-E4S		1 / 1



POS.	CODE	Q.TY	DESCRIZIONE	DESCRIPTION	DESCRIPTION	BESCHREIBUNG	REMARKS
1	322109548/0	1	Supporto Batteria	Support, Battery	Support Batterie	Halter, Batterie	
2	322109549/0	1	Coperchio	Cover	Couvercle	Deckel	
5	18120052/0	1	Batteria	Battery	Batterie	Batterie	
6	18204120/0	1	Carica Batteria	Battery Charger	Chargeur De	Ladgerät	
6	18204121/0	1	Carica Batteria	Battery Charger	Chargeur De	Ladgerät	UK
7	18204196/0	1	Cavo Avviamento	Cable, Start	Cable Démarrage	Kabel, Start	
8	22722801/0	1	Protezione Sx	L Protection	Protection G	Linke Schutz	
9	22722800/0	1	Protezione Dx	R Protection	Protection D	Rechte Schutz	
10	18450050/0	1	Interruttore	Switch	Interrupteur	Schalter	
11	12728702/0	2	Vite	Screw	Vis	Schraube	
12	12728691/0	1	Vite	Screw	Vis	Schraube	

DML

504

504TR

504WTR

504TR4S

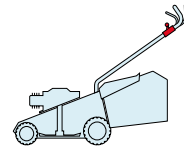
504WTR4S

504TR-E

504WTR-E

504TR-E4S

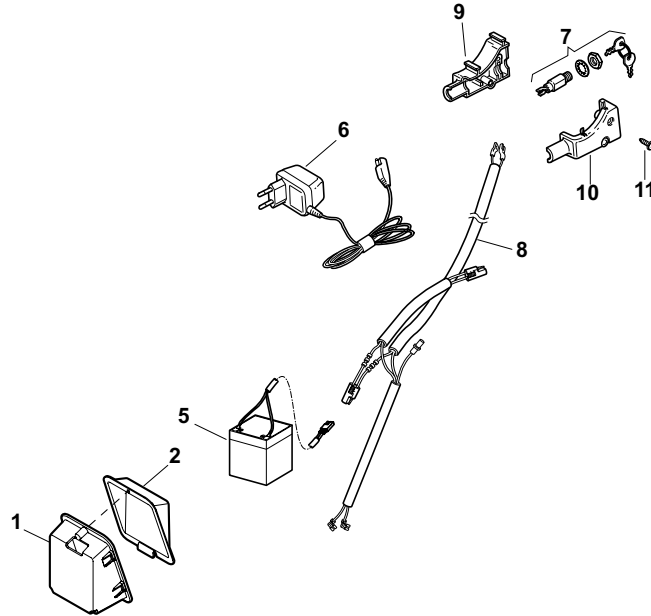
504WTR-E4S



2009

92_009.0

1 / 1



POS.	CODE	Q.TY	DESCRIZIONE	DESCRIPTION	DESCRIPTION	BESCHREIBUNG	REMARKS
1	322109548/0	1	Supporto Batteria	Support, Battery	Support Batterie	Halter, Batterie	
2	322109549/0	1	Coperchio	Cover	Couvercle	Deckel	
5	18120052/0	1	Batteria	Battery	Batterie	Batterie	
6	18204120/0	1	Carica Batteria	Battery Charger	Chargeur De	Ladgerät	
6	18204121/0	1	Carica Batteria	Battery Charger	Chargeur De	Ladgerät	UK
7	18450050/0	1	Interruttore	Switch	Interrupteur	Schalter	
8	18204196/0	1	Cavo Avviamento	Cable, Start	Cable Démarrage	Kabel, Start	
9	22722804/0	1	Protezione Dx	R Protection	Protection D	Rechte Schutz	
10	22722805/0	1	Protezione Sx	L Protection	Protection G	Linke Schutz	
11	12728300/0	1	Vite	Screw	Vis	Schraube	

DML

504

504TR

504WTR

504TR4S

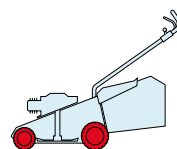
504WTR4S

504TR-E

504WTR-E

504TR-E4S

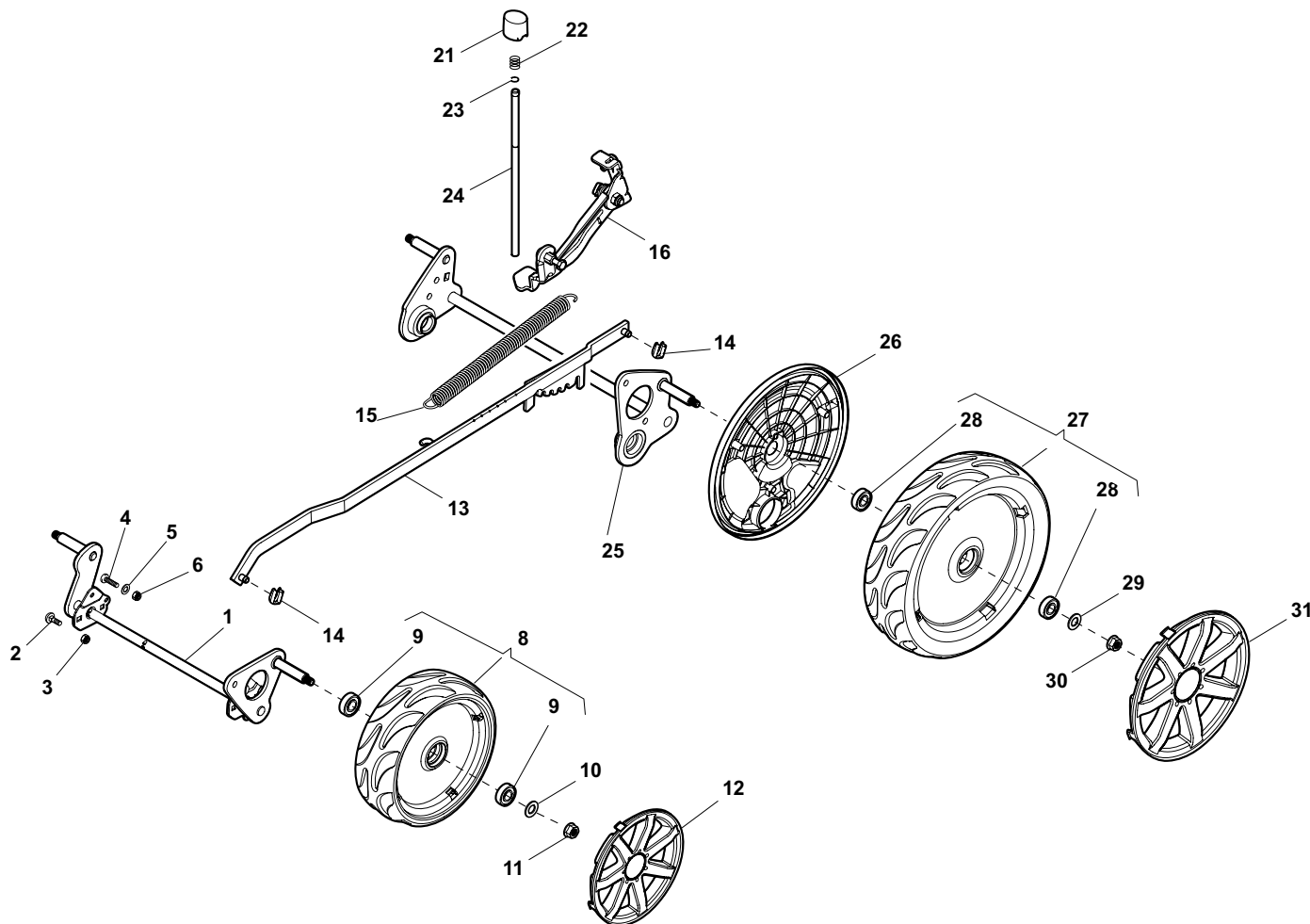
504WTR-E4S



2009

92_010.0

1 / 2



POS.	CODE	Q.TY	DESCRIZIONE	DESCRIPTION	DESCRIPTION	BESCHREIBUNG	REMARKS
1	381002869/0	1	Asse Ruote Anteriori	Axle, Front Wheels	Axe Roues Avant	Achse, Vorderrad	
2	12815205/0	4	Vite	Screw	Vis	Schraube	
3	12154510/0	4	Dado	Nut	Ecrou	Mutter	
4	112727799/0	2	Vite	Screw	Vis	Schraube	
5	12523040/0	2	Rosetta	Washer	Rondelle	Scheibe	
6	12154510/0	2	Dado	Nut	Ecrou	Mutter	
8	381007394/0	2	Ruota Ø 210	Wheel Ø 210	Roue Ø 210	Rad Ø 210	
9	19216035/0	4	Cuscinetto	Bearing	Coussinet	Lager	
10	12521350/0	2	Rosetta	Washer	Rondelle	Scheibe	
11	12155000/0	2	Dado	Nut	Ecrou	Mutter	
12	322110597/0	2	Coprimozzo	Hub Cap	Couvre-Moyeu	Radkappe	
13	381002026/0	1	Asta Comando Regol. Altezza	Rod, Height Adjustment	Tige Commande Reglage Hauteur	Stange, Höheverstellung	
14	112436051/0	2	Piastrina	Plate	Plaquette	Plättchen	
15	122450459/0	1	Molla	Spring	Ressort	Feder	
16	381003337/0	1	Leva Regolazione Altezza	Lever, Height Adjustment	Levier, Reglage Hauteur	Hebel, Höheverstellung	
21	322602012/0	1	Pulsante	Button	Poussoir	Druckknopf	
22	122450462/0	1	Molla	Spring	Ressort	Feder	

POS.	CODE	Q.TY	DESCRIZIONE	DESCRIPTION	DESCRIPTION	BESCHREIBUNG	REMARKS
23	12000930/0	1	Benzing	Benzing	Benzing	Benzing	
24	122033351/0	1	Astina	Rod	Tige	Stange	
25	381002871/0	1	Asse Ruote Posteriori	Axle, Rear Wheels	Axe Roues Arriere	Achse, Hinterrad	
26	322600178/0	2	Prot. Ruote	Protection, Wheel	Protection Roue	Schütz	
27	381007395/0	2	Ruota Ø 260	Wheel Ø 260	Roue Ø 260	Rad Ø 260	
28	19216035/0	4	Cuscinetto	Bearing	Coussinet	Lager	
29	12521350/0	2	Rosetta	Washer	Rondelle	Scheibe	
30	12155000/0	2	Dado	Nut	Ecrou	Mutter	
31	322110598/0	2	Coprimozzo	Hub Cap	Couvre-Moyeu	Radkappe	

DML

504

504TR

504WTR

504TR4S

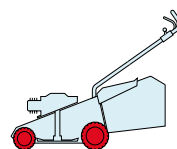
504WTR4S

504TR-E

504WTR-E

504TR-E4S

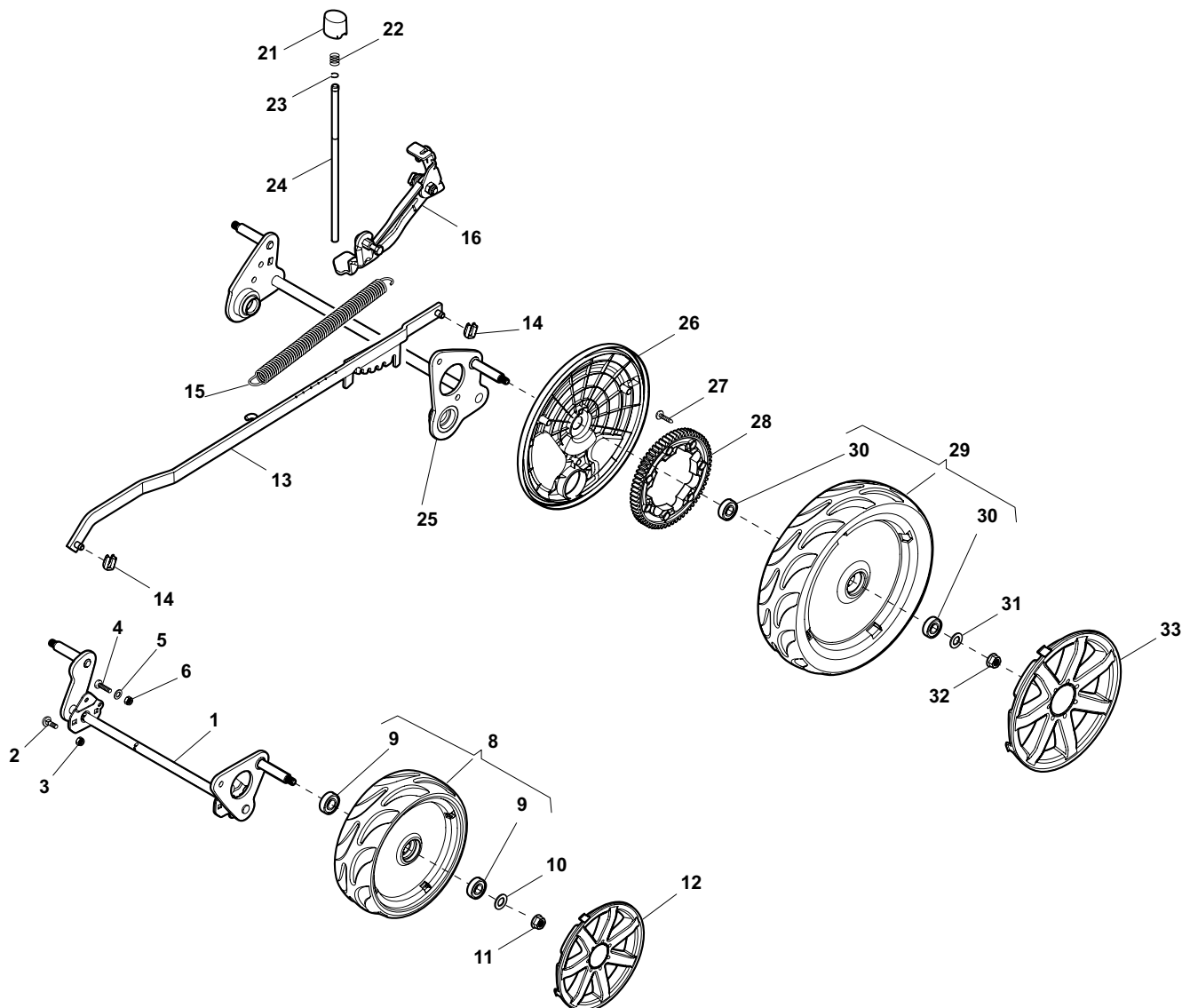
504WTR-E4S



2009

92_011.0

1 / 2



POS.	CODE	Q.TY	DESCRIZIONE	DESCRIPTION	DESCRIPTION	BESCHREIBUNG	REMARKS
1	381002869/0	1	Asse Ruote Anteriori	Axle, Front Wheels	Axe Roues Avant	Achse, Vorderrad	
2	12815205/0	4	Vite	Screw	Vis	Schraube	
3	12154510/0	4	Dado	Nut	Ecrou	Mutter	
4	112727799/0	2	Vite	Screw	Vis	Schraube	
5	12523040/0	2	Rosetta	Washer	Rondelle	Scheibe	
6	12154510/0	2	Dado	Nut	Ecrou	Mutter	
8	381007394/0	2	Ruota Ø 210	Wheel Ø 210	Roue Ø 210	Rad Ø 210	
9	19216035/0	4	Cuscinetto	Bearing	Coussinet	Lager	
10	12521350/0	2	Rosetta	Washer	Rondelle	Scheibe	
11	12155000/0	2	Dado	Nut	Ecrou	Mutter	
12	322110597/0	2	Coprimozzo	Hub Cap	Couvre-Moyeu	Radkappe	
13	381002026/0	1	Asta Comando Regol. Altezza	Rod, Height Adjustment	Tige Commande Reglage Hauteur	Stange, Höhenverstellung	
14	112436051/0	2	Piastrina	Plate	Plaquette	Plättchen	
15	122450459/0	1	Molla	Spring	Ressort	Feder	
16	381003337/0	1	Leva Regolazione Altezza	Lever, Height Adjustment	Levier, Reglage Hauteur	Hebel, Höhenverstellung	

POS.	CODE	Q.TY	DESCRIZIONE	DESCRIPTION	DESCRIPTION	BESCHREIBUNG	REMARKS
21	322602012/0	1	Pulsante	Button	Poussoir	Druckknopf	
22	122450462/0	1	Molla	Spring	Ressort	Feder	
23	12000930/0	1	Benzing	Benzing	Benzing	Benzing	
24	122033351/0	1	Astina	Rod	Tige	Stange	
25	381002871/0	1	Asse Ruote Posteriori	Axle, Rear Wheels	Axe Roues Arriere	Achse, Hinterrad	
26	322600178/0	2	Prot. Ruote	Protection, Wheel	Protection Roue	Schütz	
27	12728691/0	6	Vite	Screw	Vis	Schraube	
28	322120112/0	2	Corona Trasinamento	Ring Gear	Couronne	Kranz	
29	381007395/0	2	Ruota Ø 260	Wheel Ø 260	Roue Ø 260	Rad Ø 260	
30	19216035/0	4	Cuscinetto	Bearing	Coussinet	Lager	
31	12521350/0	2	Rosetta	Washer	Rondelle	Scheibe	
32	12155000/0	2	Dado	Nut	Ecrou	Mutter	
33	322110598/0	2	Coprimozzo	Hub Cap	Couvre-Moyeu	Radkappe	

DML

504

504TR

504WTR

504TR4S

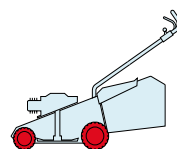
504WTR4S

504TR-E

504WTR-E

504TR-E4S

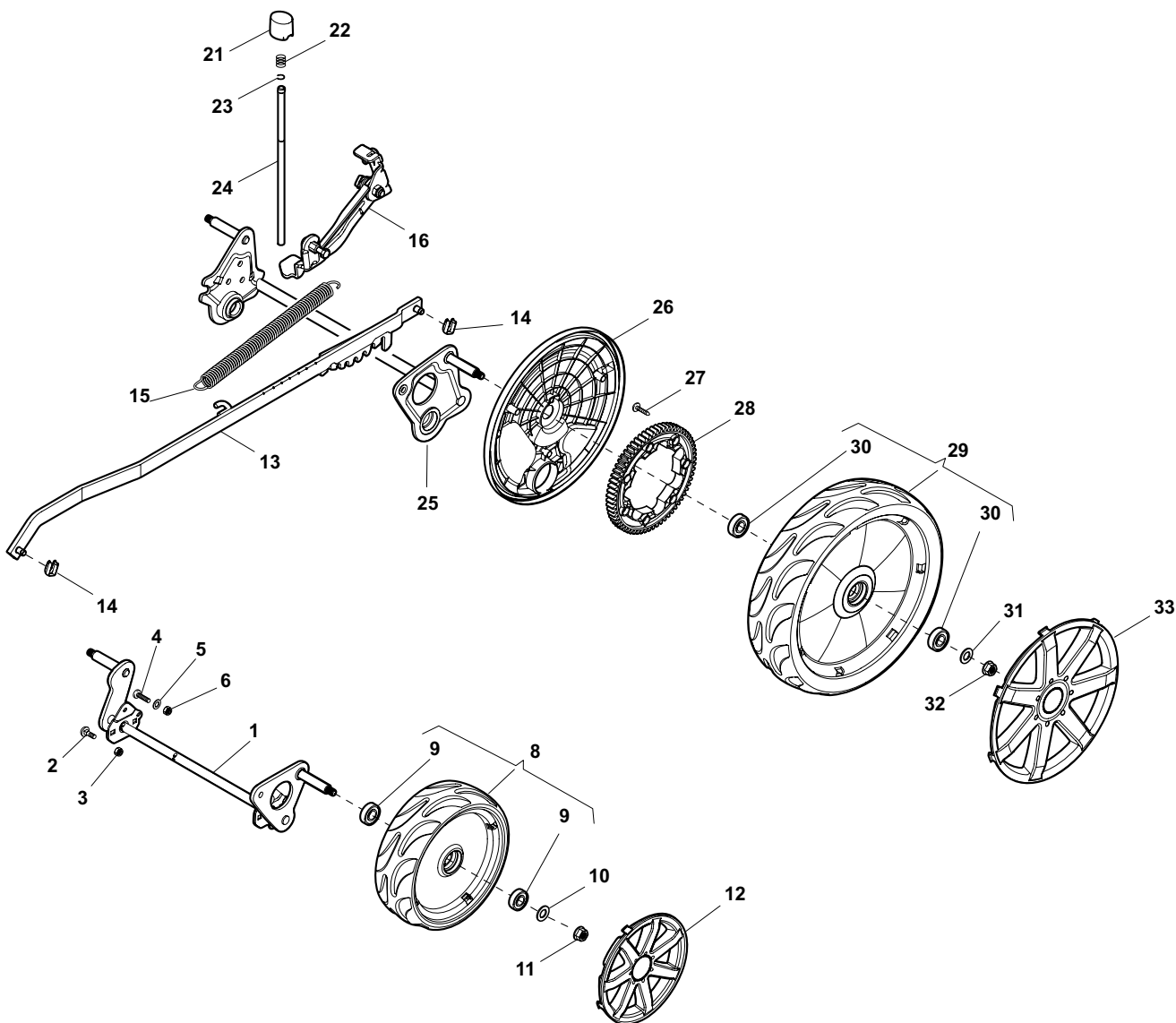
504WTR-E4S



2009

92_012.0

1 / 2



POS.	CODE	Q.TY	DESCRIZIONE	DESCRIPTION	DESCRIPTION	BESCHREIBUNG	REMARKS
1	381002869/0	1	Asse Ruote Anteriori	Axle, Front Wheels	Axe Roues Avant	Achse, Vorderrad	
2	12815205/0	4	Vite	Screw	Vis	Schraube	
3	12154510/0	4	Dado	Nut	Ecrou	Mutter	
4	112727799/0	2	Vite	Screw	Vis	Schraube	
5	12523040/0	2	Rosetta	Washer	Rondelle	Scheibe	
6	12154510/0	2	Dado	Nut	Ecrou	Mutter	
8	381007394/0	2	Ruota Ø 210	Wheel Ø 210	Roue Ø 210	Rad Ø 210	
9	19216035/0	4	Cuscinetto	Bearing	Coussinet	Lager	
10	12521350/0	2	Rosetta	Washer	Rondelle	Scheibe	
11	12155000/0	2	Dado	Nut	Ecrou	Mutter	
12	322110597/0	2	Coprimozzo	Hub Cap	Couvre-Moyeu	Radkappe	
13	381002027/0	1	Asta Comando Regol. Altezza	Rod, Height Adjustment	Tige Commande Reglage Hauteur	Stange, Höhenverstellung	
14	112436051/0	2	Piastrina	Plate	Plaquette	Plättchen	
15	122450459/0	1	Molla	Spring	Ressort	Feder	
16	381003337/0	1	Leva Regolazione Altezza	Lever, Height Adjustment	Levier, Reglage Hauteur	Hebel, Höhenverstellung	

POS.	CODE	Q.TY	DESCRIZIONE	DESCRIPTION	DESCRIPTION	BESCHREIBUNG	REMARKS
21	322602012/0	1	Pulsante	Button	Poussoir	Druckknopf	
22	122450462/0	1	Molla	Spring	Ressort	Feder	
23	12000930/0	1	Benzing	Benzing	Benzing	Benzing	
24	122033351/0	1	Astina	Rod	Tige	Stange	
25	381002873/0	1	Asse Ruote Posteriori	Axle, Rear Wheels	Axe Roues Arriere	Achse, Hinterrad	
26	322600179/0	2	Prot. Ruote	Protection, Wheel	Protection Roue	Schütz	
27	12728691/0	6	Vite	Screw	Vis	Schraube	
28	322120113/0	2	Corona Trasinamento	Ring Gear	Couronne	Kranz	
29	381007396/0	2	Ruota Ø 300	Wheel Ø 300	Roue Ø 300	Rad Ø 300	
30	19216035/0	4	Cuscinetto	Bearing	Coussinet	Lager	
31	12521350/0	2	Rosetta	Washer	Rondelle	Scheibe	
32	12155000/0	2	Dado	Nut	Ecrou	Mutter	
33	322110598/0	2	Coprimozzo	Hub Cap	Couvre-Moyeu	Radkappe	

DML

504

504 TR

504 WTR

504 TR 4S

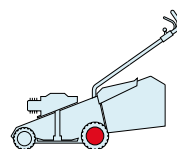
504 WTR 4S

504 TR-E

504 WTR-E

504 TR-E 4S

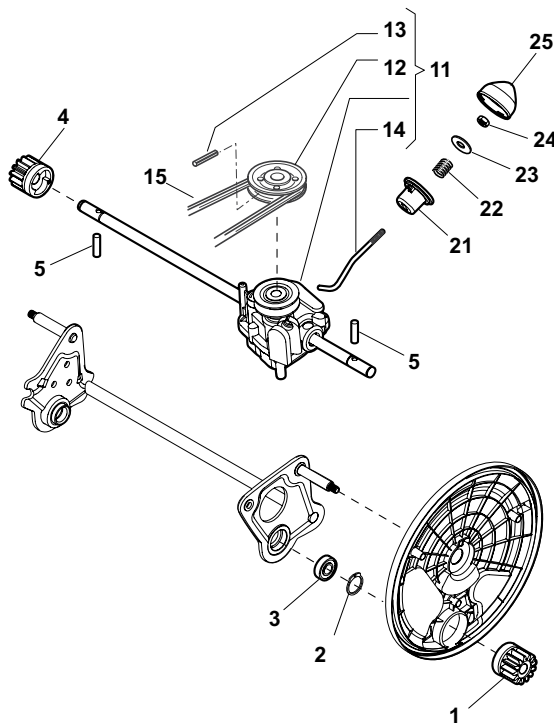
504 WTR-E 4S



2009

92_013.0

1 / 1



POS.	CODE	Q.TY	DESCRIZIONE	DESCRIPTION	DESCRIPTION	BESCHREIBUNG	REMARKS
1	122570131/0	1	Pignone Sx	Pinion L	Pignon G	Ritzel Linkes	
2	12608600/0	4	Seeger	Seeger	Seeger	Seeger	
3	19216035/0	2	Cuscinetto	Bearing	Coussinet	Lager	
4	122570132/0	1	Pignone Dx	Pinion R	Pignon D	Ritzel Rechtes	
5	22753000/0	2	Spina	Pin	Goupille	Stift	
11	181003103/0	1	Gruppo Trazione	Gear Box	Groupe Traction	Antrieb	
12	22601904/0	1	Puleggia	Pulley	Poulie	Riemenscheibe	
13	12645705/0	1	Spina	Pin	Goupille	Stift	
14	122033288/0	1	Asta Regolazione	Adjustment Rod	Tige Reglage	Verstellungstange	
15	35064150/0	1	Cinghia Z 32	Belt Z 32	Courroie Z 32	Riemen Z 32	
21	22041957/1	1	Bussola	Bush	Douille	Buchse	
22	22450063/0	1	Molla	Spring	Ressort	Feder	
23	22680009/0	1	Rosetta	Washer	Rondelle	Scheibe	
24	12154510/0	1	Dado	Nut	Ecrou	Mutter	
25	22110230/0	1	Tappo	Cap	Bouchon	Gummistopfen	

DML

504

504TR

504WTR

504TR4S

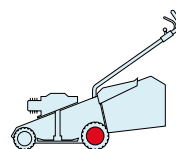
504WTR4S

504TR-E

504WTR-E

504TR-E4S

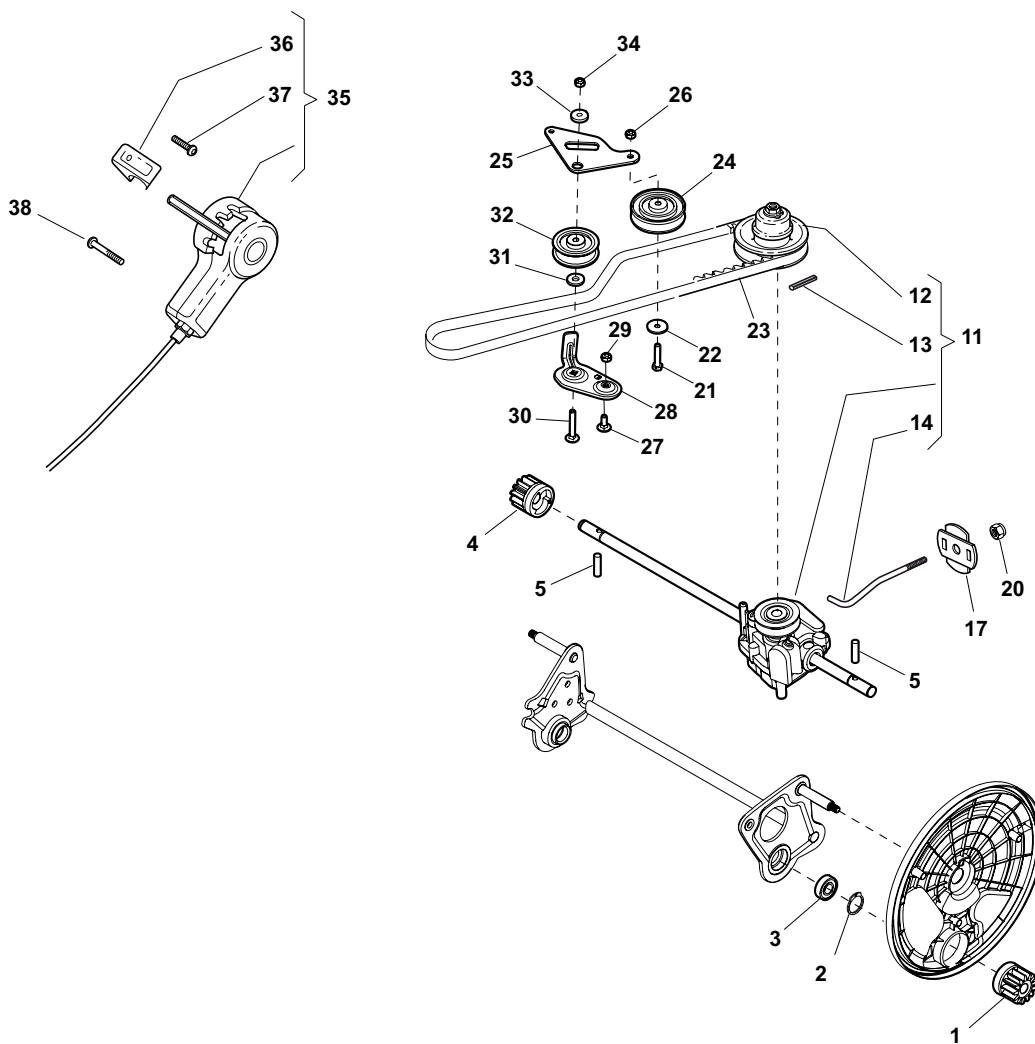
504WTR-E4S



2009

92_014.0

1 / 2



POS.	CODE	Q.TY	DESCRIZIONE	DESCRIPTION	DESCRIPTION	BESCHREIBUNG	REMARKS
1	122570131/0	1	Pignone Sx	Pinion L	Pignon G	Ritzel Linkes	
2	12608600/0	4	Seeger	Seeger	Seeger	Seeger	
3	19216035/0	2	Cuscinetto	Bearing	Coussinet	Lager	
4	122570132/0	1	Pignone Dx	Pinion R	Pignon D	Ritzel Rechtes	
5	22753000/0	2	Spina	Pin	Goupille	Stift	
11	181003104/0	1	Gruppo Trazione	Gear Box	Groupe Traction	Antrieb	
12	122601925/0	1	Puleggia	Pulley	Poulie	Riemenscheibe	
13	12645700/0	1	Spina	Pin	Goupille	Stift	
14	122033289/0	1	Asta Regolazione	Adjustment Rod	Tige Reglage	Verstellungstange	
16	22753000/0	2	Spina	Pin	Goupille	Stift	
17	22675113/0	2	Rosetta	Washer	Rondelle	Scheibe	
20	12154510/0	1	Dado	Nut	Ecrou	Mutter	
21	12674550/0	1	Vite	Screw	Vis	Schraube	
22	12523050/0	1	Rosetta	Washer	Rondelle	Scheibe	
23	135064384/0	1	Cinghia	Belt	Courroie	Riemen	
24	22601914/0	1	Puleggia	Pulley	Poulie	Riemenscheibe	
25	322322835/0	1	Leva	Lever	Levier	Hebel	
26	12154510/0	1	Dado	Nut	Ecrou	Mutter	

POS.	CODE	Q.TY	DESCRIZIONE	DESCRIPTION	DESCRIPTION	BESCHREIBUNG	REMARKS
27	12815200/0	1	Vite	Screw	Vis	Schraube	
28	322806637/0	1	Supporto	Support	Support	Halter	
29	12154510/0	1	Dado	Nut	Ecrou	Mutter	
30	12815240/0	1	Vite	Screw	Vis	Schraube	
31	22671653/0	1	Rosetta	Washer	Rondelle	Scheibe	
32	22601915/0	1	Puleggia	Pulley	Poulie	Riemenscheibe	
33	22671656/0	1	Rosetta	Washer	Rondelle	Scheibe	
34	12154510/0	1	Dado	Nut	Ecrou	Mutter	
35	381007189/0	1	Cavo Comando Marce	Cable, Speed Drive Control	Cable, Comm. Changement Vitesse	Kabel, Gängeschaltun	
36	22399809/0	1	Manopolina	Knob	Poignée	Griff	
37	12728300/0	2	Vite	Screw	Vis	Schraube	
38	12728702/0	2	Vite	Screw	Vis	Schraube	

DML

504

504TR

504WTR

504TR4S

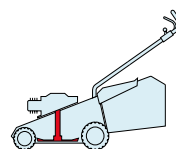
504WTR4S

504TR-E

504WTR-E

504TR-E4S

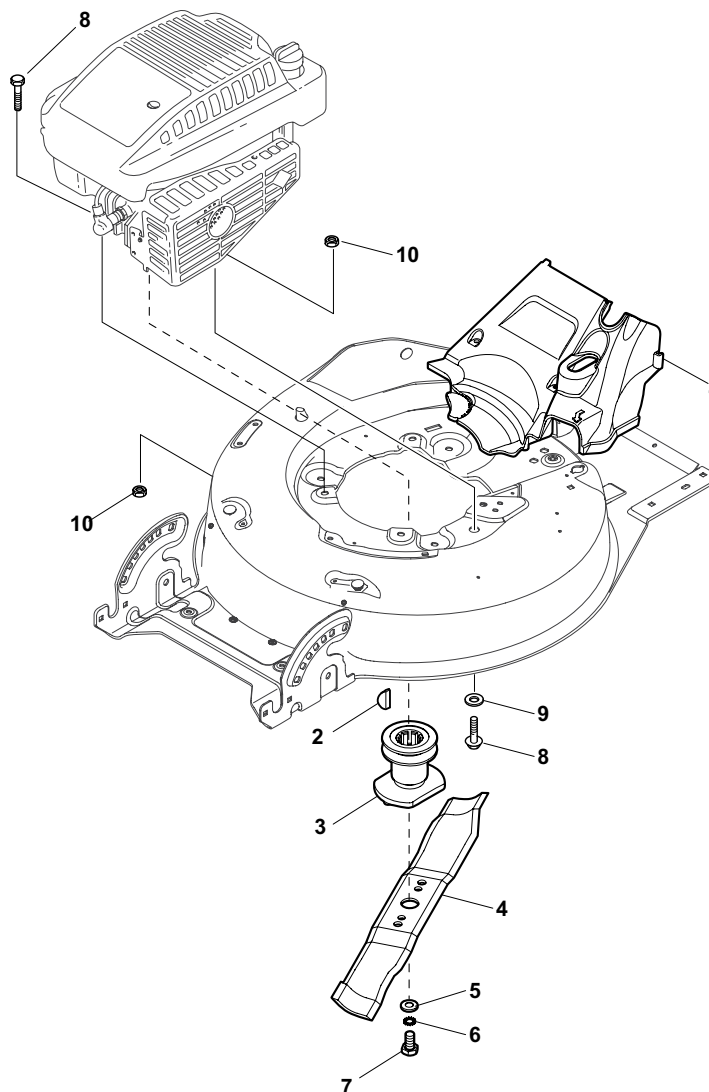
504WTR-E4S



2009

92_015.0

1 / 1



POS.	CODE	Q.TY	DESCRIZIONE	DESCRIPTION	DESCRIPTION	BESCHREIBUNG	REMARKS
1	322060230/0	1	Carter	Protection	Protection	Schutz	
2	12139100/0	1	Linguetta, Albero Motore Ø 22.2	Feather, Crankshaft Ø 22.2	Clavette, Arbre Moteur Ø 22.2	Keil, Motorwelle Ø 22.2	
2	12139150/0	1	Linguetta, Albero Motore Ø 25	Feather, Crankshaft Ø 25	Clavette, Arbre Moteur Ø 25	Keil, Motorwelle Ø 25	(Honda)
3	22465607/2	1	Mozzo Con Puleggia, Albero Motore Ø 22.2	Hub With Pulley, Crankshaft Ø 22.2	Moyeu Avec Poulie, Arbre Moteur Ø 22.2	Nabe Mit Scheibe, Motorwelle Ø 22.2	
3	122465608/1	1	Mozzo Con Puleggia, Albero Motore Ø 25	Hub With Pulley, Crankshaft Ø 25	Moyeu Avec Poulie, Arbre Moteur Ø 25	Nabe Mit Scheibe, Motorwelle Ø 25	(Honda)
4	81004366/2	1	Coltello Standard	Blade Standard	Lame Standard	Messer Standard	
5	22160400/0	1	Disco Elastico	Elastic Washer	Rondelle Elastique	Elastischescheibe	
6	12523080/0	1	Rosetta	Washer	Rondelle	Scheibe	
7	12736815/0	1	Vite	Screw	Vis	Schraube	
8	12691100/0	3	Vite	Screw	Vis	Schraube	
9	12521350/0	1	Rosetta	Washer	Rondelle	Scheibe	
10	12154210/0	3	Dado	Nut	Ecrou	Mutter	

DML

504

504 TR

504 WTR

504 TR 4S

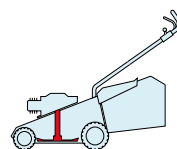
504 WTR 4S

504 TR-E

504 WTR-E

504 TR-E 4S

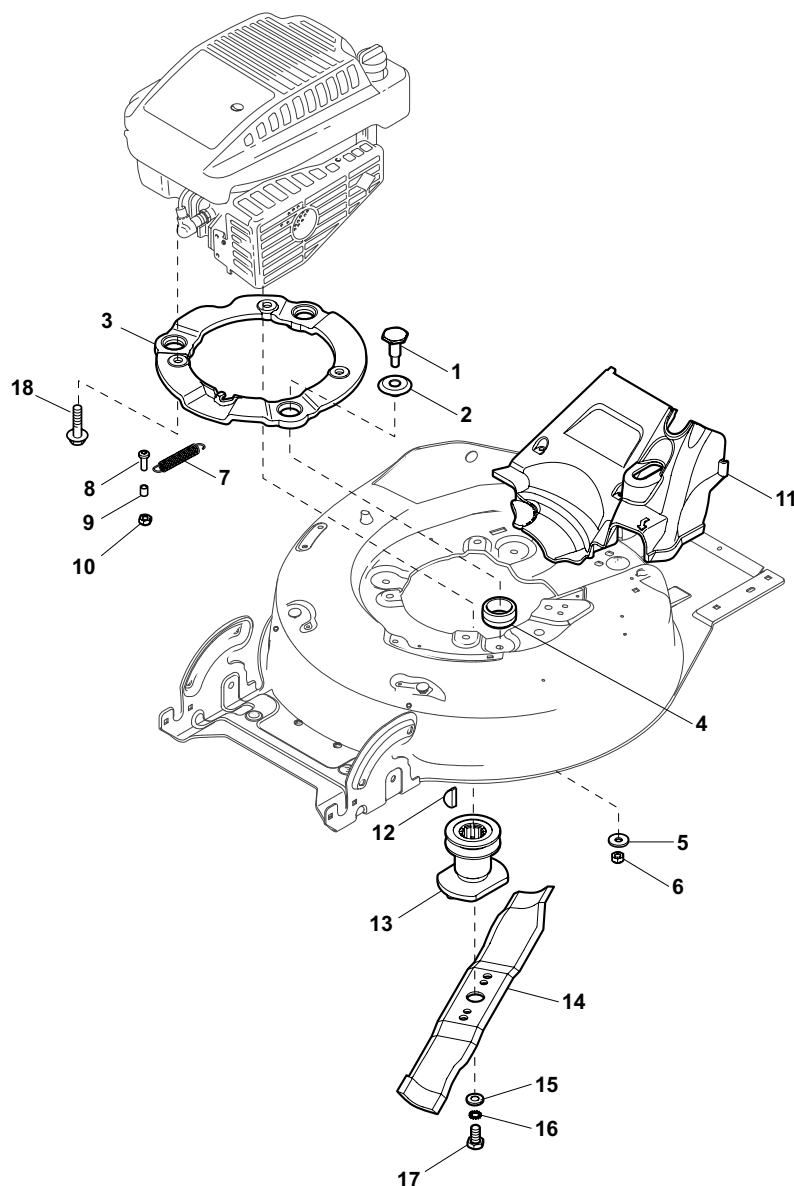
504 WTR-E 4S



2009

92_016.0

1 / 2



POS.	CODE	Q.TY	DESCRIZIONE	DESCRIPTION	DESCRIPTION	BESCHREIBUNG	REMARKS
1	122519816/0	3	Perno	Pin	Pivot	Bolzen	
2	22672201/0	3	Rondella	Washer	Rondelle	Scheibe	
3	322207226/0	1	Flangia	Flange	Bride	Flansch	
4	322250014/0	3	Gommino	Grommet	Caoutchouc	Gummi	
5	12521350/0	3	Rosetta	Washer	Rondelle	Scheibe	
6	12155000/0	3	Dado	Nut	Ecrou	Mutter	
7	122450461/0	1	Molla	Spring	Ressort	Feder	
8	112727801/0	1	Vite	Screw	Vis	Schraube	
9	122170846/0	1	Distanziale	Spacer	Entretoise	Distanzring	
10	12154510/0	1	Dado	Nut	Ecrou	Mutter	
11	322060230/0	1	Carter	Protection	Protection	Schutz	
12	12139100/0	1	Linguetta, Albero Motore Ø 22.2	Feather, Crankshaft Ø 22.2	Clavette, Arbre Moteur Ø 22.2	Keil, Motorwelle Ø 22.2	
12	12139150/0	1	Linguetta, Albero Motore Ø 25	Feather, Crankshaft Ø 25	Clavette, Arbre Moteur Ø 25	Keil, Motorwelle Ø 25	(Honda)

POS.	CODE	Q.TY	DESCRIZIONE	DESCRIPTION	DESCRIPTION	BESCHREIBUNG	REMARKS
13	122465638/0	1	Mozzo Con Puleggia, Albero Motore Ø 22.2	Hub With Pulley, Cran- kshaft Ø 22.2	Moyeu Avec Poulie, Arbre Moteur Ø 22.2	Nabe Mit Scheibe, Motor- welle Ø 22.2	
13	122465639/0	1	Mozzo Con Puleggia, Albero Motore Ø 25	Hub With Pulley, Cran- kshaft Ø 25	Moyeu Avec Poulie, Arbre Moteur Ø 25	Nabe Mit Scheibe, Motor- welle Ø 25	(Honda)
14	181004368/0	1	Coltello	Blade	Lame	Messer	
15	22160400/0	1	Disco Elastico	Elastic Washer	Rondelle Elastique	Elastischescheibe	
16	12523080/0	1	Rosetta	Washer	Rondelle	Scheibe	
17	12736815/0	1	Vite	Screw	Vis	Schraube	
18	112735108/1	3	Vite	Screw	Vis	Schraube	

DML

504

504TR

504WTR

504TR4S

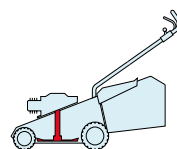
504WTR4S

504TR-E

504WTR-E

504TR-E4S

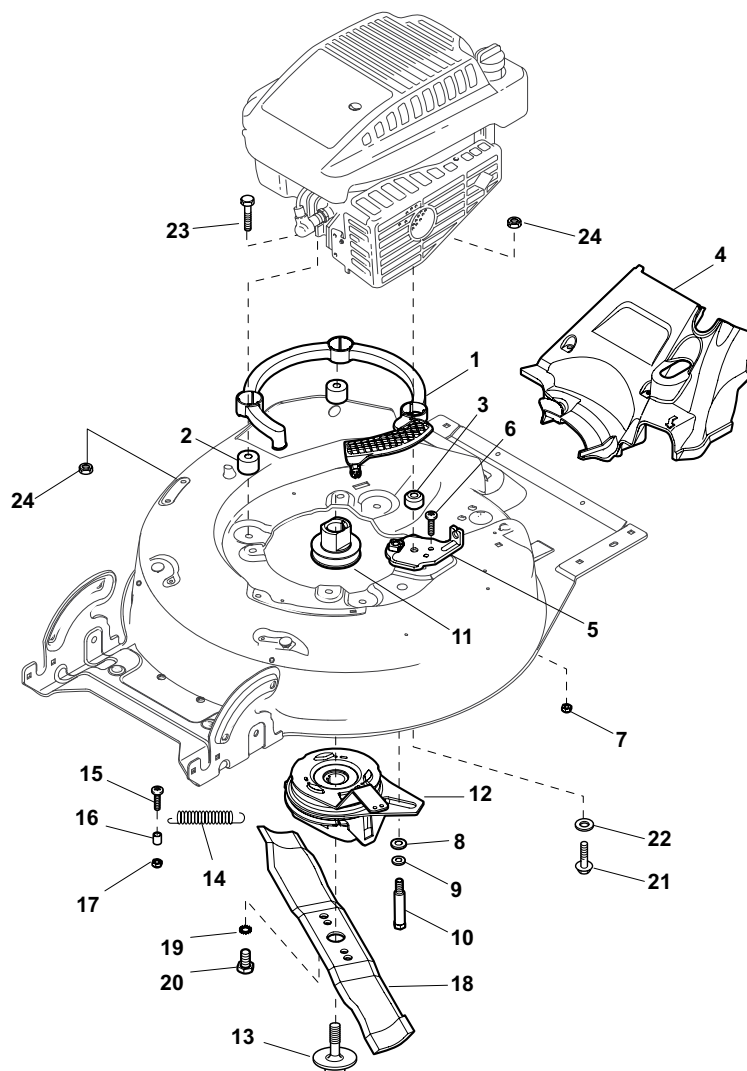
504WTR-E4S



2009

92_017.0

1 / 2



POS.	CODE	Q.TY	DESCRIZIONE	DESCRIPTION	DESCRIPTION	BESCHREIBUNG	REMARKS
1	322170962/0	1	Protezione	Protection	Protection	Schutz	
2	22170835/0	2	Distanziale	Spacer	Entretoise	Distanzring	
3	122170836/0	1	Distanziale	Spacer	Entretoise	Distanzring	
4	322060232/0	1	Carter	Protection	Protection	Schutz	
5	381545329/0	1	Supporto	Support	Support	Halter	
6	112727802/0	1	Vite	Screw	Vis	Schraube	
7	12154510/0	1	Dado	Nut	Ecrou	Mutter	
8	22671653/0	1	Rosetta	Washer	Rondelle	Scheibe	
9	12540060/0	1	Rondella	Washer	Rondelle	Scheibe	
10	122534127/0	1	Destro	Pin	Bondon	Dübel	
11	122601922/0	1	Puleggia, Albero Moto- re Ø 22.2	Pulley, Crankshaft Ø 22.2	Poulie, Arbre Moteur Ø 22.2	Scheibe, Motorwelle Ø 22.2	
11	122601923/0	1	Puleggia, Albero Moto- re Ø 25	Pulley, Crankshaft Ø 25	Poulie, Arbre Moteur Ø 25	Scheibe, Motorwelle Ø 25	(Honda)
12	118399051/0	1	Ass. Frizione Meccanica	Mechanical Clutch	Embrayage Mecanique	Mechanische Kupplung	

POS.	CODE	Q.TY	DESCRIZIONE	DESCRIPTION	DESCRIPTION	BESCHREIBUNG	REMARKS
13	12735460/0	1	Vite	Screw	Vis	Schraube	
14	122446188/0	1	Molla	Spring	Ressort	Feder	
15	112727801/0	1	Vite	Screw	Vis	Schraube	
16	122170846/0	1	Distanziale	Spacer	Entretoise	Distanzring	
17	12154510/0	1	Dado	Nut	Ecrou	Mutter	
18	181004368/0	1	Coltello	Blade	Lame	Messer	
19	12540060/0	2	Rondella	Washer	Rondelle	Scheibe	
20	12794110/0	2	Vite	Screw	Vis	Schraube	
21	12692050/0	1	Vite	Screw	Vis	Schraube	
22	12521350/0	1	Rosetta	Washer	Rondelle	Scheibe	
23	12691700/0	2	Vite	Screw	Vis	Schraube	
24	12154210/0	3	Dado	Nut	Ecrou	Mutter	

DML

504

504TR

504WTR

504TR4S

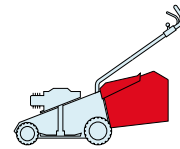
504WTR4S

504TR-E

504WTR-E

504TR-E4S

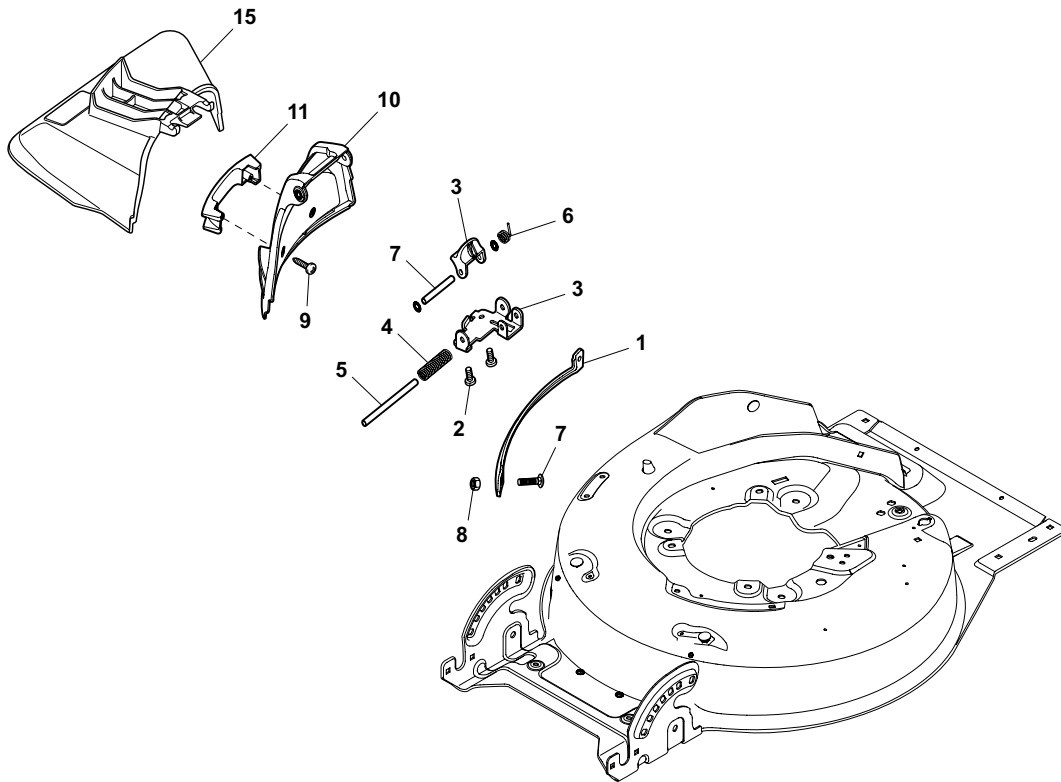
504WTR-E4S



2009

92_018.0

1 / 1



POS.	CODE	Q.TY	DESCRIZIONE	DESCRIPTION	DESCRIPTION	BESCHREIBUNG	REMARKS
1	322109553/0	1	Protezione	Guard	Protection	Schutz	
2	112727803/0	2	Vite	Screw	Vis	Schraube	
3	322783010/0	1	Pulsante	Button	Poussoir	Druckknopf	
4	122450456/0	1	Molla	Spring	Ressort	Feder	
5	122517864/0	1	Perno	Pin	Pivot	Bolzen	
6	322783010/0	1	Molla	Spring	Ressort	Feder	
7	122517866/0	1	Perno	Pin	Pivot	Bolzen	
9	112728706/0	2	Vite	Screw	Vis	Schraube	
10	322600181/0	1	Protezione Uscita	Ejection Guard	Protection Sortie	Auswurfschutz	
11	322393633/0	1	Maniglia	Handle	Poignee	Griff	
15	322108289/0	1	Protezione Uscita	Ejection Guard	Protection Sortie	Auswurfschutz	

DML

504

504TR

504WTR

504TR4S

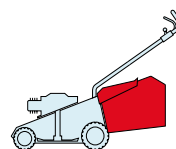
504WTR4S

504TR-E

504WTR-E

504TR-E4S

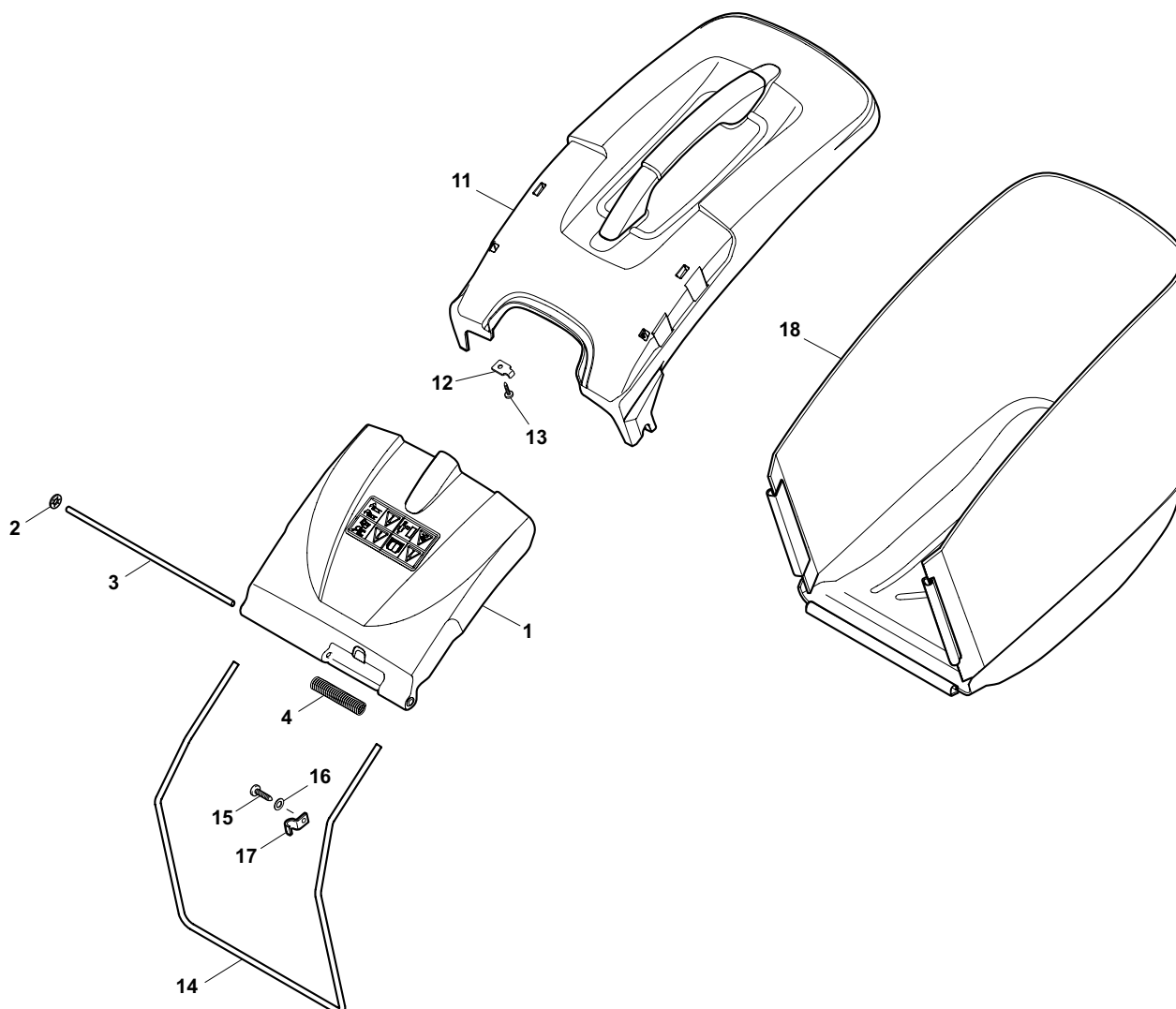
504WTR-E4S



2009

92_019.0

1 / 1



POS.	CODE	Q.TY	DESCRIZIONE	DESCRIPTION	DESCRIPTION	BESCHREIBUNG	REMARKS
1	322600180/0	1	Parasassi	Stone-Guard	Pare-Pierres	Prallblech	
2	12604899/0	2	Fissatore A Corona	Crown Fastener	Fixateur A Couronne	Kronescheibe	
3	122517863/0	1	Perno	Pin	Pivot	Bolzen	
4	122450455/0	1	Molla	Spring	Ressort	Feder	
11	381486006/0	1	Sacco, Parte Sup	Grass-Box, Upper	Sac, Partie	Korb, Oberteil	
12	322545159/0	2	Piastrina	Plate	Plaquette	Plättchen	
13	12728689/0	2	Vite	Screw	Vis	Schraube	
14	122608542/0	1	Rinforzo Inf	Stiffening Lower	Réinforcement Inf	Verstärkung Untere	
15	12728689/0	2	Vite	Screw	Vis	Schraube	
16	12521320/0	2	Rosetta	Washer	Rondelle	Scheibe	
17	325774220/0	2	Piastrina	Plate	Plaquette	Plättchen	
18	181002298/0	1	Sacco, Tela	Box, Fabric	Sac, Toile	Sack, Tuck	