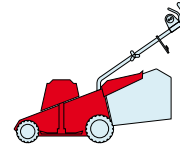


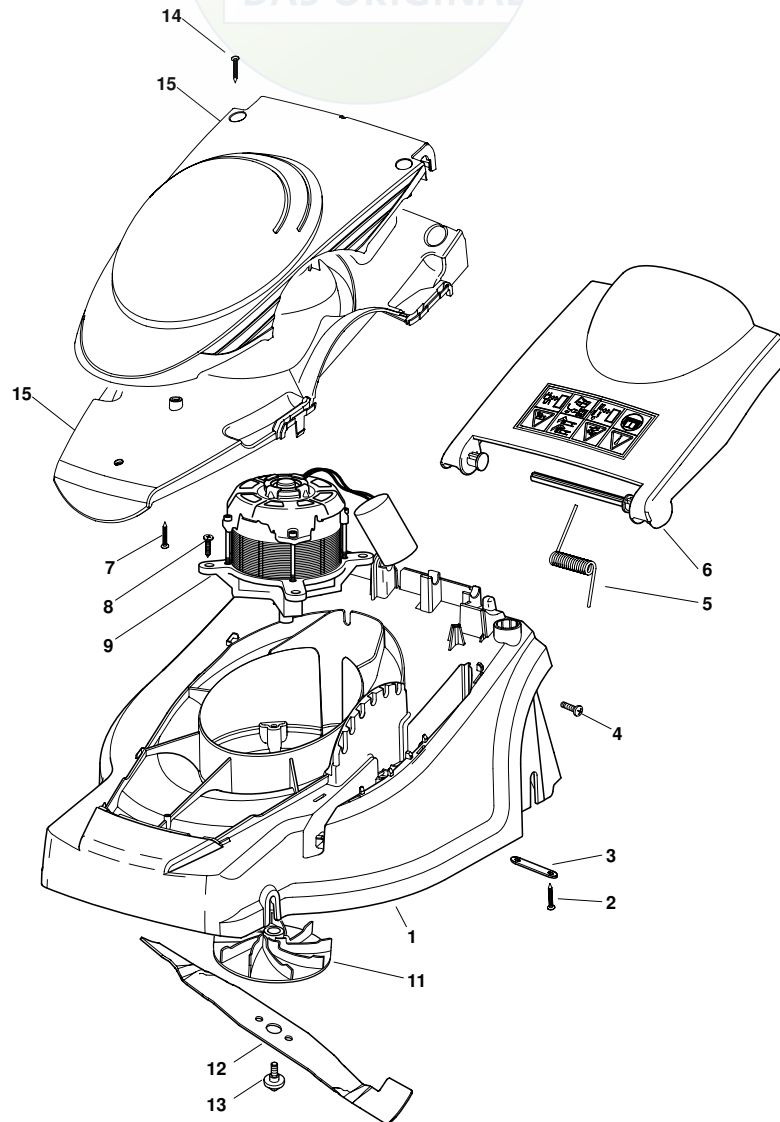
SPL 410



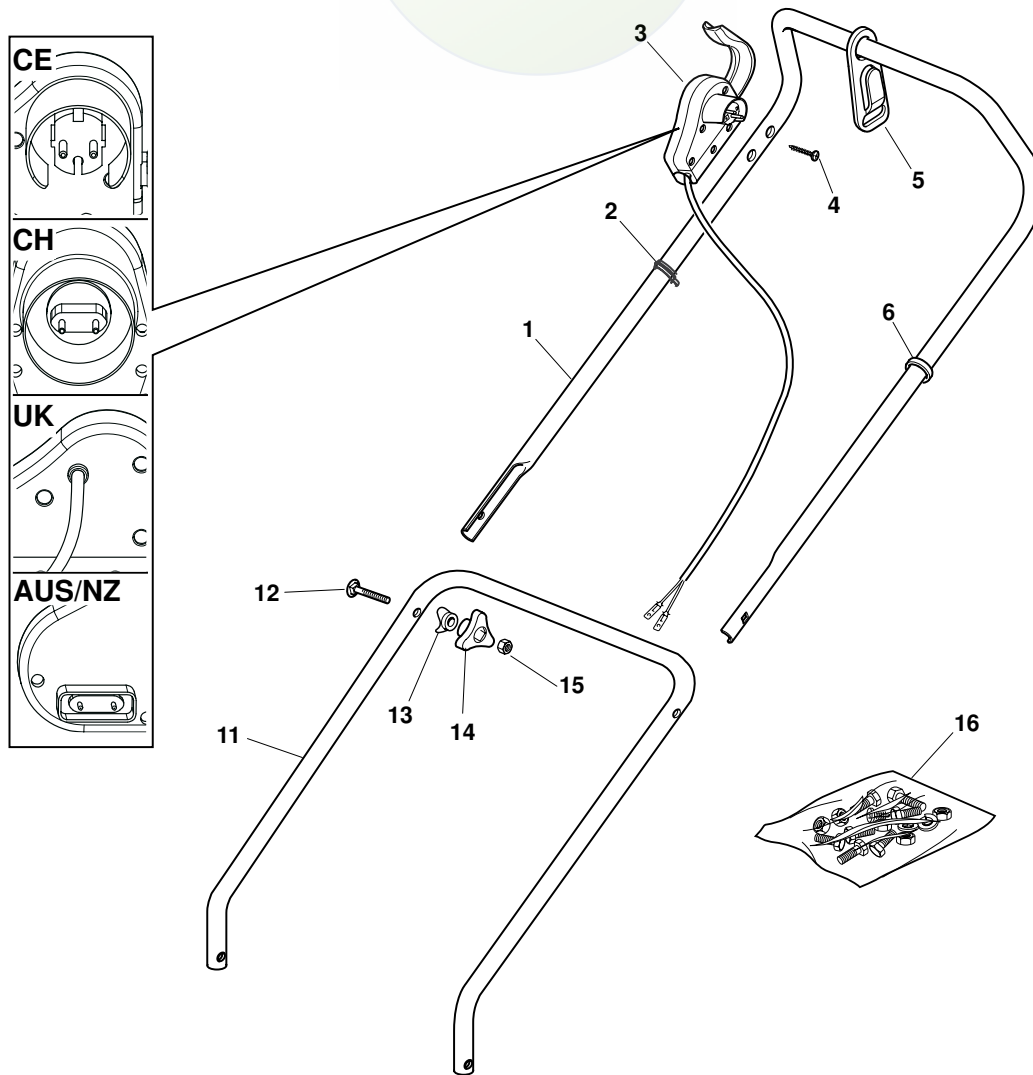
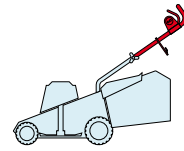
2009

E8001.0

1 / 1



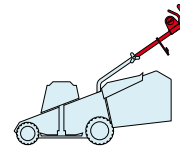
| POS. | CODE | Q.TY | DESCRIZIONE | DESCRIPTION | DESCRIPTION | BESCHREIBUNG | REMARKS |
|------|-------------|------|------------------|-------------------|--------------------|------------------|-------------------|
| 1 | 322066733/0 | 1 | Chassis Rosso | Deck Red | Châssis Rouge | Gehäuse Rot | |
| 1 | 322066736/0 | 1 | Chassis Giallo | Deck Yellow | Châssis Jaune | Gehäuse Gelb | Stiga |
| 2 | 12728691/0 | 2 | Vite | Screw | Vis | Schraube | |
| 3 | 22608535/0 | 1 | Piastrina | Plate | Plaquette | Plättchen | |
| 4 | 12728450/0 | 2 | Vite | Screw | Vis | Schraube | |
| 5 | 22450423/0 | 1 | Molla | Spring | Ressort | Feder | |
| 6 | 322600157/1 | 1 | Parasassi Grigio | Stone-Guard, Grey | Pare-Pierres, Gris | Prallblech, Grau | |
| 7 | 12728691/0 | 1 | Vite | Screw | Vis | Schraube | |
| 8 | 12735410/0 | 4 | Vite | Screw | Vis | Schraube | |
| 9 | 118563670/0 | 1 | Motore | Motor | Moteur | Motor | 230-240V (1300W) |
| 9 | 118563671/0 | 1 | Motore | Motor | Moteur | Motor | 230-240V (1500W) |
| 9 | 118563667/0 | 1 | Motore | Motor | Moteur | Motor | 230-240V (1600W) |
| 11 | 22465602/0 | 1 | Mozzo | Hub | Moyeu | Halter | |
| 12 | 81004145/0 | 1 | Coltello | Blade | Lame | Messer | |
| 13 | 81004352/0 | 1 | Vite | Screw | Vis | Schraube | |
| 14 | 12728685/0 | 2 | Vite | Screw | Vis | Schraube | |
| 15 | - | 1 | Capottina | Cover | Capot | Haube | (See Enclosure 5) |



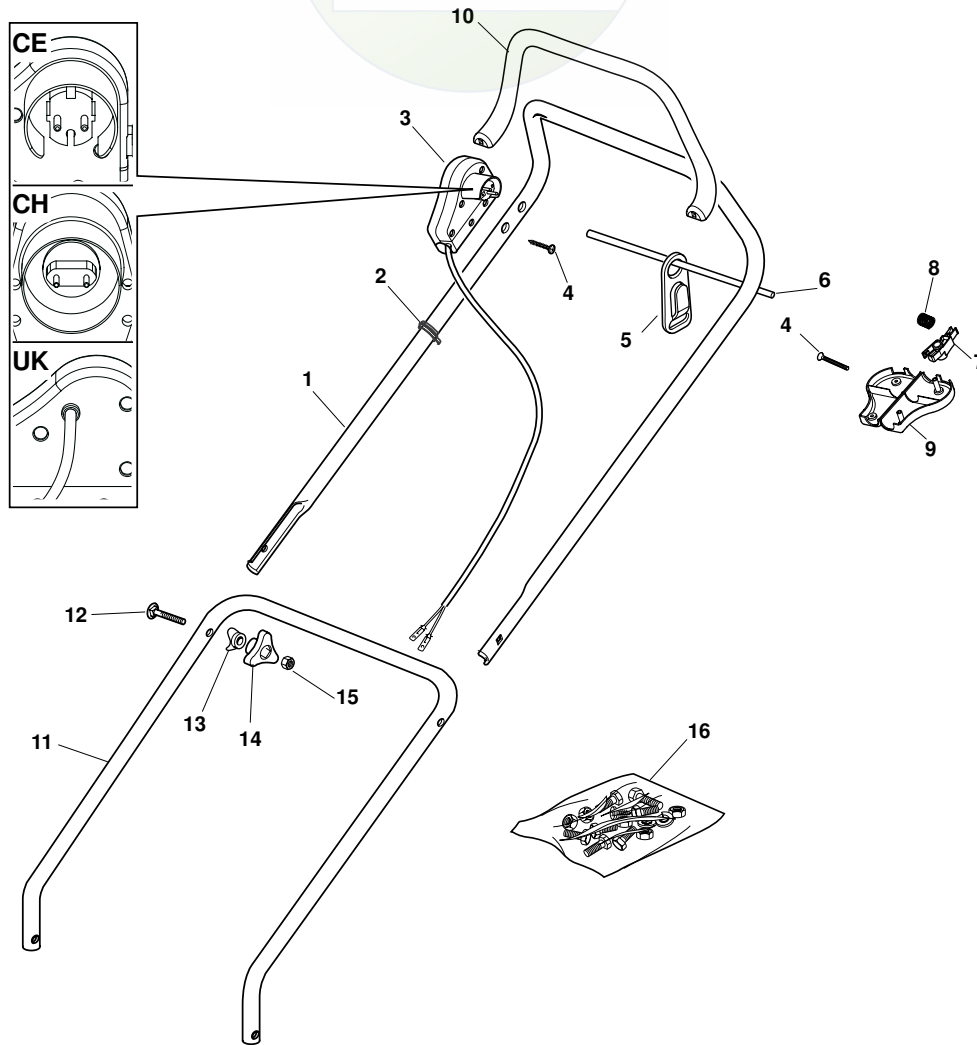
| POS. | CODE | Q.TY | DESCRIZIONE | DESCRIPTION | DESCRIPTION | BESCHREIBUNG | REMARKS |
|------|------------|------|-------------------|--------------------|------------------------------|------------------|---------|
| 1 | 81006571/0 | 1 | Manico, Parte Sup | Handle, Upper Part | Mancheron, Partie Supérieure | Holm, Oberteil | |
| 2 | 22192000/1 | 2 | Fascetta | Anchor Clamp | Collier Ancre | Bowdenzughalter | |
| 3 | 81600500/1 | 1 | Salvatore | Dead Hand Switch | Int. Main Morte | Tot Manschalter | CE |
| 3 | 81600501/1 | 1 | Salvatore | Dead Hand Switch | Int. Main Morte | Tot Manschalter | CH |
| 3 | 81600502/1 | 1 | Salvatore | Dead Hand Switch | Int. Main Morte | Tot Manschalter | UK |
| 3 | 18710628/0 | 1 | Salvatore | Dead Hand Switch | Int. Main Morte | Tot Manschalter | AUS/NZ |
| 4 | 12728701/0 | 2 | Vite | Screw | Vis | Schraube | |
| 5 | 22195101/4 | 1 | Fermacavo | Fairlead | Fixation Cable | Kabelbefestigung | |
| 6 | 22192151/0 | 1 | Fermacavo | Fairlead | Fixation Cable | Kabelbefestigung | |
| 11 | 81006661/0 | 1 | Manico Inferiore | Handle, Lower Part | Mancheron Inferieure | Holm, Unterteil | |
| 12 | 12819201/0 | 2 | Vite | Screw | Vis | Schraube | |
| 14 | 22680006/1 | 2 | Rosetta | Washer | Rondelle | Scheibe | |
| 14 | 22399900/0 | 2 | Manopolina | Knob | Poignée | Griff | |
| 15 | 12293200/0 | 2 | Dado | Nut | Ecrou | Mutter | |
| 16 | 81008674/0 | 1 | Dotazione Viteria | Outfit, Screws | Dotation Visserie | Satz, Schrauben | |

SPL 410

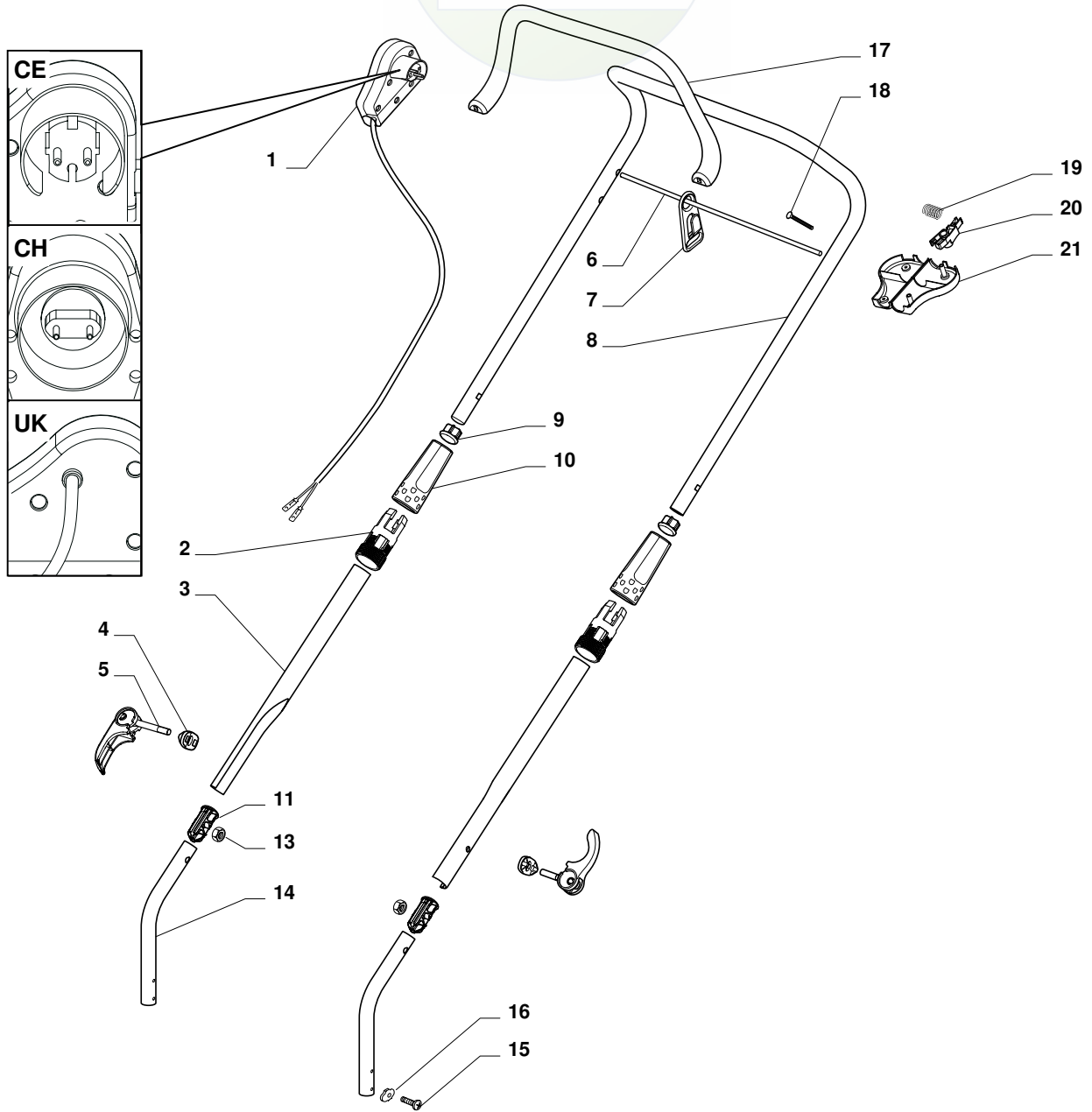
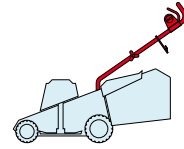
JOIST
SICHER IST DAS
DAS ORIGINAL



| |
|----------------|
| 2009 |
| E8003.0 |
| 1 / 1 |

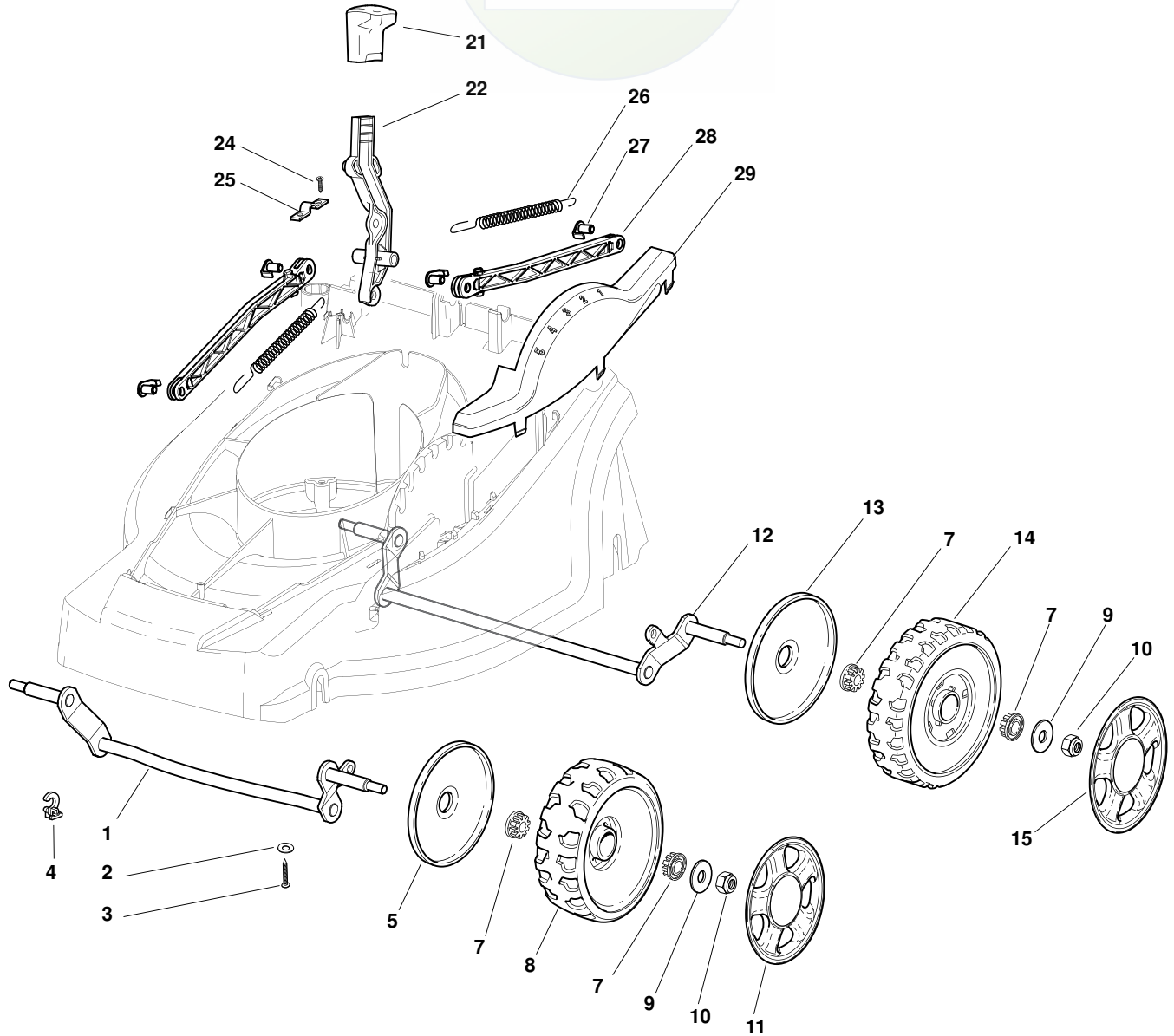
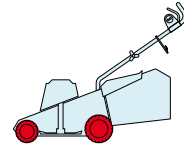


| POS. | CODE | Q.TY | DESCRIZIONE | DESCRIPTION | DESCRIPTION | BESCHREIBUNG | REMARKS |
|------|-------------|------|-------------------------|-----------------------|------------------------------|---------------------|---------|
| 1 | 81006571/0 | 1 | Manico, Parte Sup | Handle, Upper Part | Mancheron, Partie Supérieure | Holm, Oberteil | |
| 2 | 22192000/1 | 2 | Fascetta | Anchor Clamp | Collier Ancre | Bowdenzughalter | |
| 3 | 381600503/2 | 1 | Salvatore | Dead Hand Switch | Int. Main Morte | Tot Manschalter | CE |
| 3 | 381600505/2 | 1 | Salvatore | Dead Hand Switch | Int. Main Morte | Tot Manschalter | UK |
| 3 | 381600504/2 | 1 | Salvatore | Dead Hand Switch | Int. Main Morte | Tot Manschalter | CH |
| 4 | 12728701/0 | 4 | Vite | Screw | Vis | Schraube | |
| 5 | 22195101/4 | 1 | Fermacavo | Fairlead | Fixation Cable | Kabelbefestigung | |
| 6 | 22010252/0 | 1 | Asta Aggancio Fermacavo | Rod, Fairlead Bearing | Tige Support Serrecable | Stange, Kabelhalter | |
| 7 | 322230350/1 | 1 | Fulcro | Fulcrum Pin | Point D'Appui | Gelenkpunkt | |
| 8 | 22450115/0 | 1 | Molla | Spring | Ressort | Feder | |
| 9 | 22785144/0 | 1 | Supporto | Support | Support | Halter | |
| 10 | 322322880/1 | 1 | Leva Freno Motore, Nero | Lever, Engine Brake | Levier Frein Moteur | Hebel, Motorbremse | |
| 11 | 81006661/0 | 1 | Manico Inferiore | Handle, Lower Part | Mancheron Inferiore | Holm, Unterteil | |
| 12 | 12819201/0 | 2 | Vite | Screw | Vis | Schraube | |
| 14 | 22680006/1 | 2 | Rosetta | Washer | Rondelle | Scheibe | |
| 14 | 22399900/0 | 2 | Manopolina | Knob | Poignée | Griff | |
| 15 | 12293200/0 | 2 | Dado | Nut | Ecrou | Mutter | |
| 16 | 81008674/0 | 1 | Dotazione Viteria | Outfit, Screws | Dotation Visserie | Satz, Schrauben | |



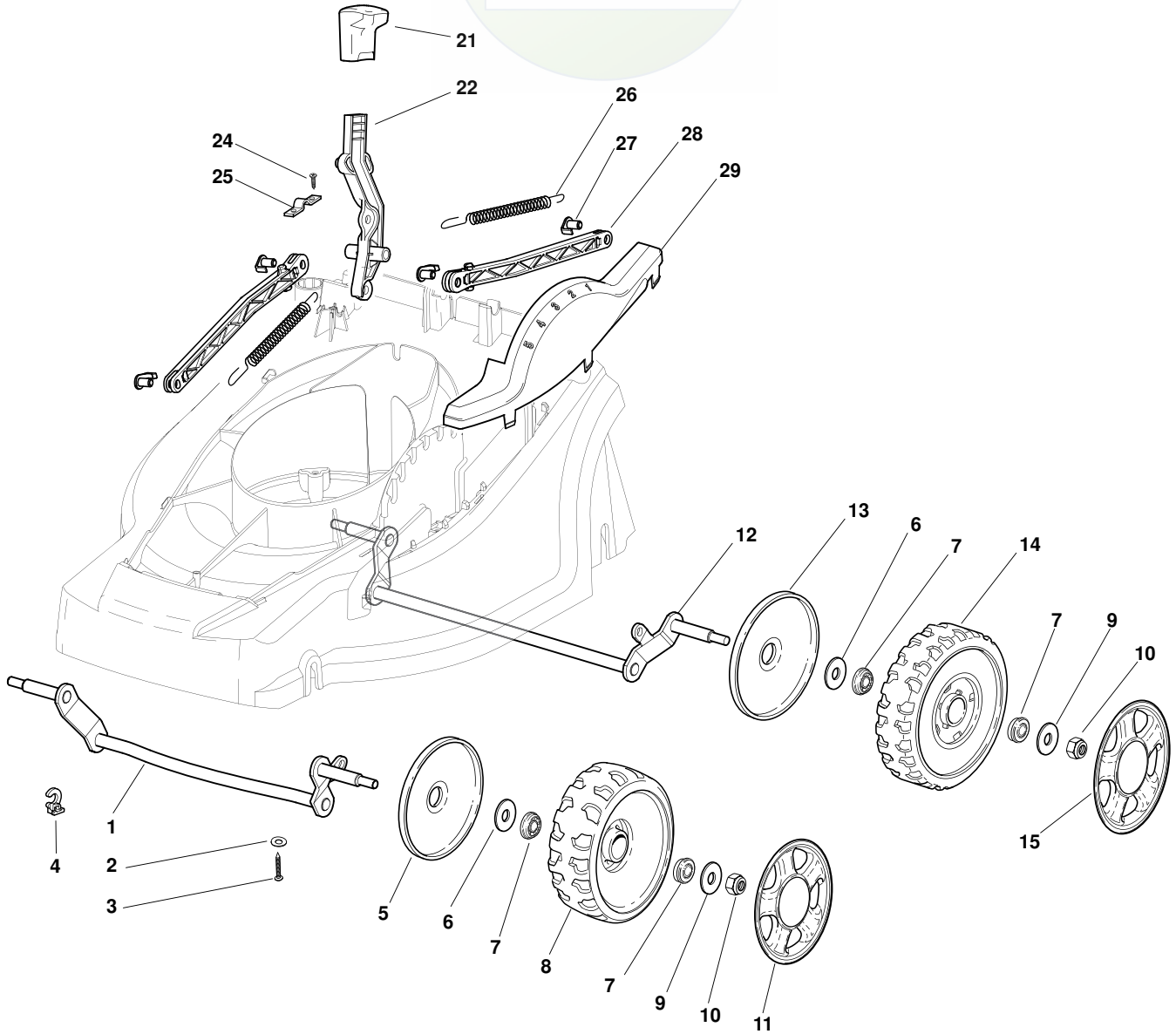
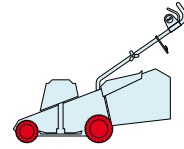
| POS. | CODE | Q.TY | DESCRIZIONE | DESCRIPTION | DESCRIPTION | BESCHREIBUNG | REMARKS |
|------|-------------|------|--------------------------|------------------------|-------------------------|---------------------|---------|
| 1 | 381600503/2 | 1 | Salvamotore | Dead Hand Switch | Int. Main Morte | Tot Manschalter | CE |
| 1 | 381600505/2 | 1 | Salvamotore | Dead Hand Switch | Int. Main Morte | Tot Manschalter | UK |
| 1 | 381600504/2 | 1 | Salvamotore | Dead Hand Switch | Int. Main Morte | Tot Manschalter | CH |
| 2 | 322245063/0 | 2 | Ghiera Interna | Ring Nut, Internal | | | |
| 3 | 381006697/0 | 1 | Manico, Parte Intermedia | Handle, Middle Part | Mancheron | Holm | |
| 4 | 322680014/0 | 2 | Rosetta | Washer | Rondelle | Scheibe | |
| 5 | 381003252/0 | 2 | Leva Blocc. Manico | Lever, Handle Blocking | | | |
| 6 | 22010252/0 | 1 | Asta Aggancio Fermacavo | Rod, Fairlead Bearing | Tige Support Serrecable | Stange, Kabelhalter | |
| 7 | 22195101/4 | 1 | Fermacavo | Fairlead | Fixation Cable | Kabelbefestigung | |
| 8 | 381006695/0 | 1 | Manico, Parte Sup | Handle, Upper Part | Mancheron, Partie Sup. | Holm, Oberteil | |
| 9 | 22820066/1 | 2 | Puntale | Cap | Bouchon | Gummistopfen | |

| POS. | CODE | Q.TY | DESCRIZIONE | DESCRIPTION | DESCRIPTION | BESCHREIBUNG | REMARKS |
|------|-------------|------|-------------------------|---------------------|------------------------------|--------------------|---------|
| 10 | 322245062/0 | 2 | Ghiera Esterna | Ring Nut, External | | | |
| 11 | 322820081/0 | 2 | Puntale | Cap | Bouchon | Gummistopfen | |
| 13 | 12293200/0 | 2 | Dado | Nut | Ecrou | Mutter | |
| 14 | 381006693/0 | 1 | Manico, Parte Inf. | Handle, Lower Part | Mancheron, Partie Inferieure | Holm, Unterteil | |
| 15 | 12731600/1 | 2 | Vite | Screw | Vis | Schraube | |
| 16 | 22545135/0 | 2 | Piastrina | Plate | Plaquette | Plättchen | |
| 17 | 322322880/1 | 1 | Leva Freno Motore, Nero | Lever, Engine Brake | Levier Frein Moteur | Hebel, Motorbremse | |
| 18 | 12728701/0 | 4 | Vite | Screw | Vis | Schraube | |
| 19 | 22450115/0 | 1 | Molla | Spring | Ressort | Feder | |
| 20 | 322230350/1 | 1 | Fulcro | Fulcrum Pin | Point D'Appui | Gelenkpunkt | |
| 21 | 22785144/0 | 1 | Supporto | Support | Support | Halter | |



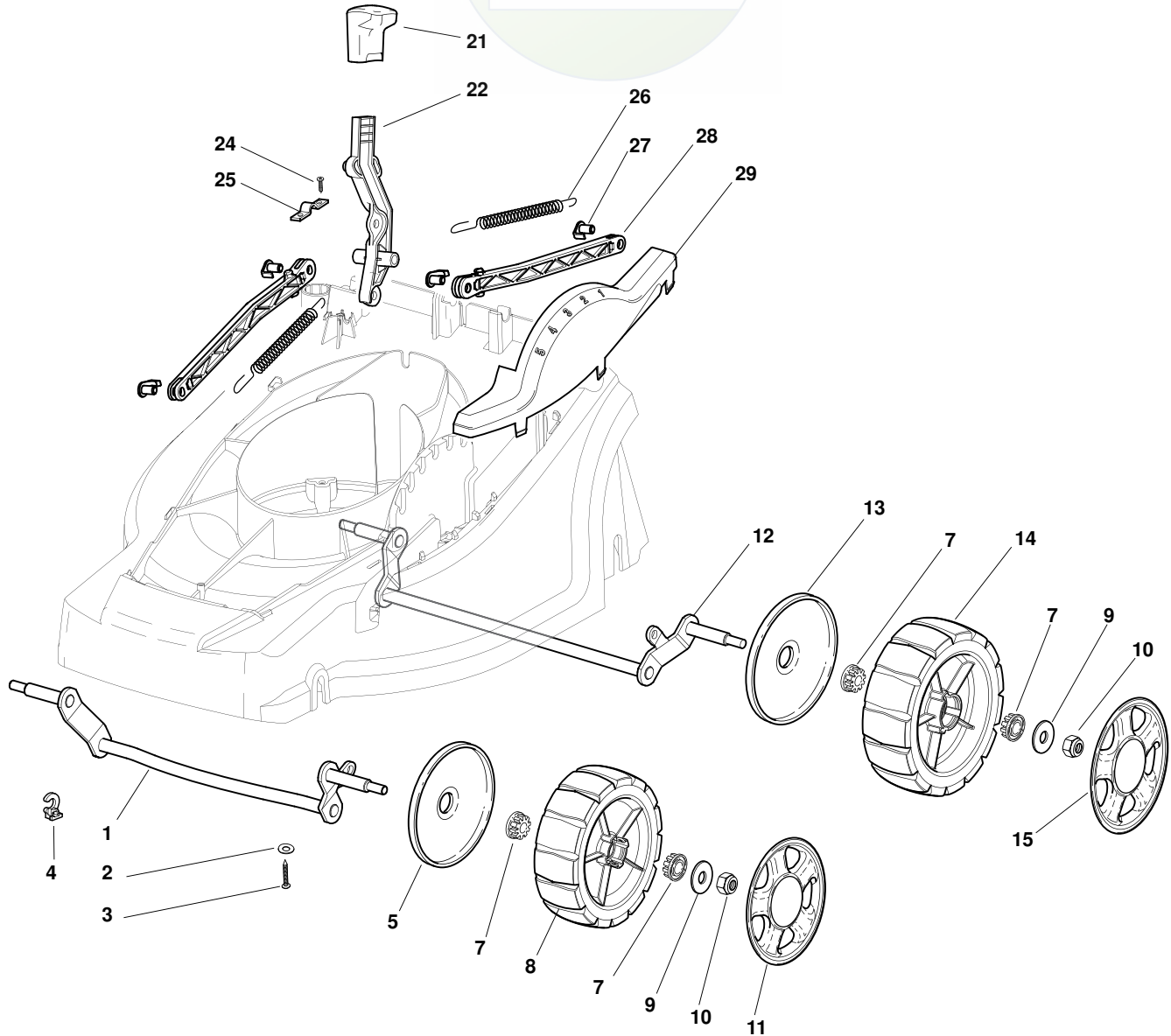
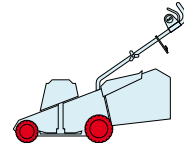
| POS. | CODE | Q.TY | DESCRIZIONE | DESCRIPTION | DESCRIPTION | BESCHREIBUNG | REMARKS |
|------|------------|------|-----------------------|--------------------|-------------------|------------------|-------------------|
| 1 | 81002837/0 | 1 | Asse Ruote Anteriori | Axle, Front Wheels | Axe Roues Avant | Achse, Vorderrad | |
| 2 | 12523050/0 | 4 | Rosetta | Washer | Rondelle | Scheibe | |
| 3 | 12728680/0 | 4 | Vite | Screw | Vis | Schraube | |
| 4 | 22170631/0 | 2 | Distanziale | Spacer | Entretoise | Distanzring | |
| 5 | 22600095/0 | 2 | Prot. Ruote | Protection, Wheel | Protection Roue | Schütz, Räder | |
| 7 | 22034508/0 | 8 | Bussola | Bush | Douille | Buchse | |
| 8 | 22686091/1 | 2 | Ruota Ø 165 | Wheel Ø 165 | Roue Ø 165 | Rad Ø 165 | |
| 9 | 12523060/0 | 4 | Rosetta | Washer | Rondelle | Scheibe | |
| 10 | 12155000/0 | 4 | Dado | Nut | Ecrou | Mutter | |
| 11 | - | 2 | Coprimozzo | Hub Cap | Couvre-Moyeu | Radkappe | (See Enclosure 1) |
| 12 | 81002839/0 | 1 | Asse Ruote Posteriori | Axle, Rear Wheels | Axe Roues Arriere | Achse, Hinterrad | |
| 13 | 22600131/0 | 2 | Prot. Ruote | Protection, Wheel | Protection Roue | Schütz, Räder | |
| 14 | 22686092/0 | 2 | Ruota Ø 190 | Wheel Ø 190 | Roue Ø 190 | Rad Ø 190 | |
| 15 | - | 2 | Coprimozzo | Hub Cap | Couvre-Moyeu | Radkappe | (See Enclosure 2) |

| POS. | CODE | Q.TY | DESCRIZIONE | DESCRIPTION | DESCRIPTION | BESCHREIBUNG | REMARKS |
|------|-------------|------|--------------------------|--------------------------|------------------------|------------------------|---------|
| 21 | 22399818/0 | 1 | Manopolina | Knob | Poignée | Griff | |
| 22 | 322321535/0 | 1 | Leva Regolazione Altezza | Lever, Height Adjustment | Levier Reglage Hauteur | Hebel, Höneverstellung | |
| 24 | 12728691/0 | 2 | Vite | Screw | Vis | Schraube | |
| 25 | 25547049/0 | 1 | Piastrina | Plate | Plaquette | Plättchen | |
| 26 | 22450424/0 | 2 | Molla | Spring | Ressort | Feder | |
| 27 | 22524338/0 | 4 | Perno | Pin | Pivot | Bolzen | |
| 28 | 22869668/0 | 2 | Tirante | Tie Rod | Tirant | Spannstange | |
| 29 | 22109724/0 | 1 | Carter Grigio | Cover, Grey | Couvre, Gris | Kappe, Grau | |
| 29 | 22109731/0 | 1 | Carter Nero | Cover, Grey | Couvre, Gris | Kappe, Schwarz | |



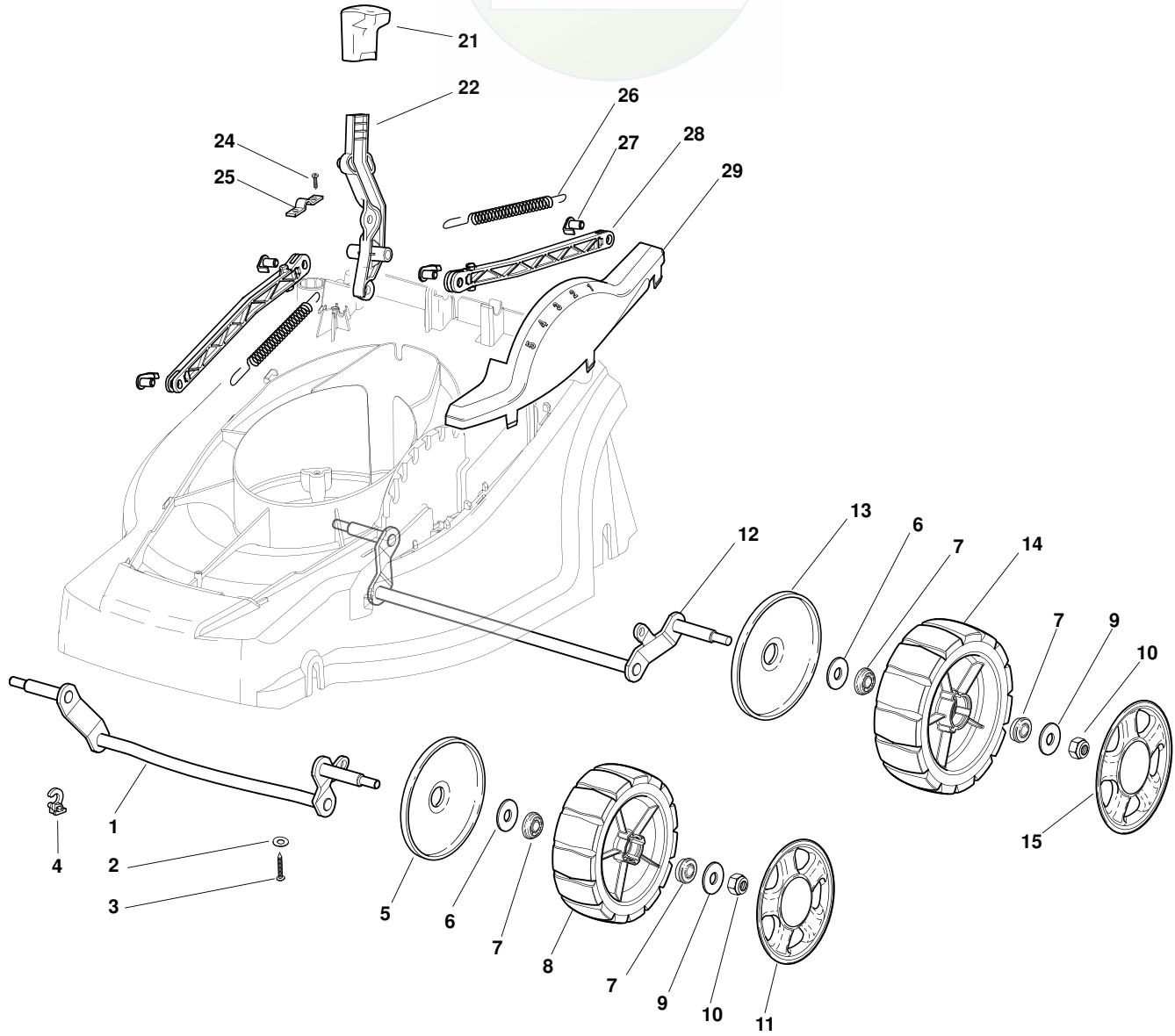
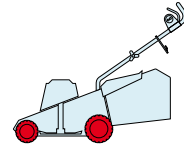
| POS. | CODE | Q.TY | DESCRIZIONE | DESCRIPTION | DESCRIPTION | BESCHREIBUNG | REMARKS |
|------|------------|------|-----------------------|--------------------|-------------------|------------------|-------------------|
| 1 | 81002837/0 | 1 | Asse Ruote Anteriori | Axle, Front Wheels | Axe Roues Avant | Achse, Vorderrad | |
| 2 | 12523050/0 | 4 | Rosetta | Washer | Rondelle | Scheibe | |
| 3 | 12728680/0 | 4 | Vite | Screw | Vis | Schraube | |
| 4 | 22170631/0 | 2 | Distanziale | Spacer | Entretoise | Distanzring | |
| 5 | 22600095/0 | 2 | Prot. Ruote | Protection, Wheel | Protection Roue | Schütz, Räder | |
| 6 | 22675100/0 | 4 | Rosetta | Washer | Rondelle | Scheibe | |
| 7 | 22122200/0 | 8 | Cuscinetto | Bearing | Coussinet | Lager | |
| 8 | 22686091/1 | 2 | Ruota Ø 165 | Wheel Ø 165 | Roue Ø 165 | Rad Ø 165 | |
| 9 | 12523060/0 | 4 | Rosetta | Washer | Rondelle | Scheibe | |
| 10 | 12155000/0 | 4 | Dado | Nut | Ecrou | Mutter | (See Enclosure 1) |
| 11 | - | 2 | Coprismozzo | Hub Cap | Couvre-Moyeu | Radkappe | |
| 12 | 81002839/0 | 1 | Asse Ruote Posteriori | Axle, Rear Wheels | Axe Roues Arriere | Achse, Hinterrad | |
| 13 | 22600131/0 | 2 | Prot. Ruote | Protection, Wheel | Protection Roue | Schütz, Räder | |
| 14 | 22686092/0 | 2 | Ruota Ø 190 | Wheel Ø 190 | Roue Ø 190 | Rad Ø 190 | |

| POS. | CODE | Q.TY | DESCRIZIONE | DESCRIPTION | DESCRIPTION | BESCHREIBUNG | REMARKS |
|------|-------------|------|--------------------------|--------------------------|------------------------|------------------------|-------------------|
| 15 | - | 2 | Coprimezzo | Hub Cap | Couvre-Moyeu | Radkappe | (See Enclosure 2) |
| 21 | 22399818/0 | 1 | Manopolina | Knob | Poignée | Griff | |
| 22 | 322321535/0 | 1 | Leva Regolazione Altezza | Lever, Height Adjustment | Levier Reglage Hauteur | Hebel, Höneverstellung | |
| 24 | 12728691/0 | 2 | Vite | Screw | Vis | Schraube | |
| 25 | 25547049/0 | 1 | Piastrina | Plate | Plaquette | Plättchen | |
| 26 | 22450424/0 | 2 | Molla | Spring | Ressort | Feder | |
| 27 | 22524338/0 | 4 | Perno | Pin | Pivot | Bolzen | |
| 28 | 22869668/0 | 2 | Tirante | Tie Rod | Tirant | Spannstange | |
| 29 | 22109724/0 | 1 | Carter Grigio | Cover, Grey | Couvre, Gris | Kappe, Grau | |
| 29 | 22109731/0 | 1 | Carter Nero | Cover, Grey | Couvre, Gris | Kappe, Schwarz | |



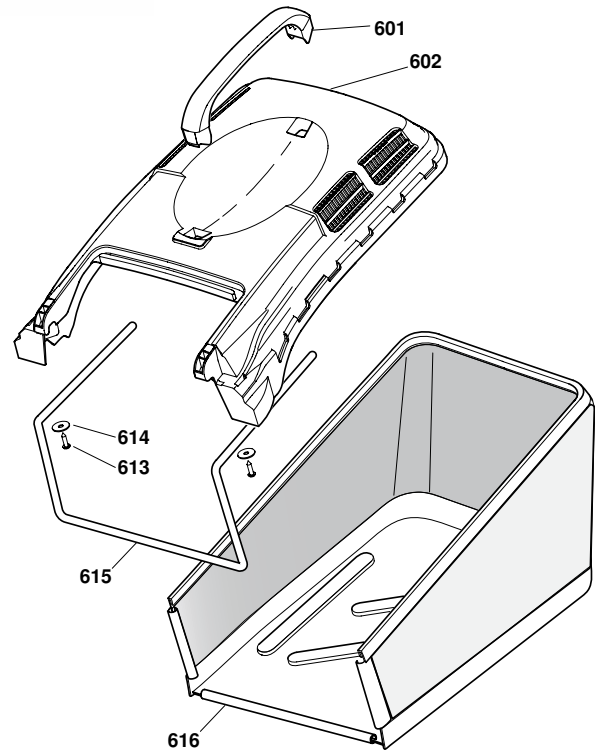
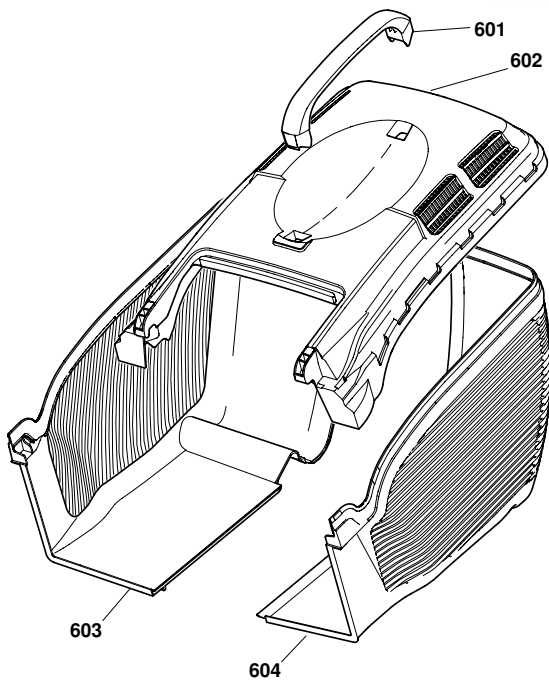
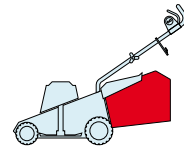
| POS. | CODE | Q.TY | DESCRIZIONE | DESCRIPTION | DESCRIPTION | BESCHREIBUNG | REMARKS |
|------|-------------|------|-----------------------|--------------------|-------------------|------------------|-------------------|
| 1 | 81002837/0 | 1 | Asse Ruote Anteriori | Axle, Front Wheels | Axe Roues Avant | Achse, Vorderrad | |
| 2 | 12523050/0 | 4 | Rosetta | Washer | Rondelle | Scheibe | |
| 3 | 12728680/0 | 4 | Vite | Screw | Vis | Schraube | |
| 4 | 22170631/0 | 2 | Distanziale | Spacer | Entretoise | Distanzring | |
| 5 | 22600095/0 | 2 | Prot. Ruote | Protection, Wheel | Protection Roue | Schütz, Räder | |
| 7 | 22034508/0 | 8 | Bussola | Bush | Douille | Buchse | |
| 8 | 322686098/0 | 2 | Ruota Ø 165 | Wheel Ø 165 | Roue Ø 165 | Rad Ø 165 | |
| 9 | 12523060/0 | 4 | Rosetta | Washer | Rondelle | Scheibe | |
| 10 | 12155000/0 | 4 | Dado | Nut | Ecrou | Mutter | |
| 11 | - | 2 | Coprimozzo | Hub Cap | Couvre-Moyeu | Radkappe | (See Enclosure 1) |
| 12 | 81002839/0 | 1 | Asse Ruote Posteriori | Axle, Rear Wheels | Axe Roues Arriere | Achse, Hinterrad | |
| 13 | 22600131/0 | 2 | Prot. Ruote | Protection, Wheel | Protection Roue | Schütz, Räder | |
| 14 | 322686099/0 | 2 | Ruota Ø 190 | Wheel Ø 190 | Roue Ø 190 | Rad Ø 190 | |
| 15 | - | 2 | Coprimozzo | Hub Cap | Couvre-Moyeu | Radkappe | (See Enclosure 2) |

| POS. | CODE | Q.TY | DESCRIZIONE | DESCRIPTION | DESCRIPTION | BESCHREIBUNG | REMARKS |
|------|-------------|------|--------------------------|--------------------------|------------------------|------------------------|---------|
| 21 | 22399818/0 | 1 | Manopolina | Knob | Poignée | Griff | |
| 22 | 322321535/0 | 1 | Leva Regolazione Altezza | Lever, Height Adjustment | Levier Reglage Hauteur | Hebel, Höneverstellung | |
| 24 | 12728691/0 | 2 | Vite | Screw | Vis | Schraube | |
| 25 | 25547049/0 | 1 | Piastrina | Plate | Plaquette | Plättchen | |
| 26 | 22450424/0 | 2 | Molla | Spring | Ressort | Feder | |
| 27 | 22524338/0 | 4 | Perno | Pin | Pivot | Bolzen | |
| 28 | 22869668/0 | 2 | Tirante | Tie Rod | Tirant | Spannstange | |
| 29 | 22109724/0 | 1 | Carter Grigio | Cover, Grey | Couvre, Gris | Kappe, Grau | |
| 29 | 22109731/0 | 1 | Carter Nero | Cover, Grey | Couvre, Gris | Kappe, Schwarz | |



| POS. | CODE | Q.TY | DESCRIZIONE | DESCRIPTION | DESCRIPTION | BESCHREIBUNG | REMARKS |
|------|-------------|------|-----------------------|--------------------|-------------------|------------------|-------------------|
| 1 | 81002837/0 | 1 | Asse Ruote Anteriori | Axle, Front Wheels | Axe Roues Avant | Achse, Vorderrad | |
| 2 | 12523050/0 | 4 | Rosetta | Washer | Rondelle | Scheibe | |
| 3 | 12728680/0 | 4 | Vite | Screw | Vis | Schraube | |
| 4 | 22170631/0 | 2 | Distanziale | Spacer | Entretoise | Distanzring | |
| 5 | 22600095/0 | 2 | Prot. Ruote | Protection, Wheel | Protection Roue | Schütz, Räder | |
| 6 | 22675100/0 | 4 | Rosetta | Washer | Rondelle | Scheibe | |
| 7 | 22122200/0 | 8 | Cuscinetto | Bearing | Coussinet | Lager | |
| 8 | 322686098/0 | 2 | Ruota Ø 165 | Wheel Ø 165 | Roue Ø 165 | Rad Ø 165 | |
| 9 | 12523060/0 | 4 | Rosetta | Washer | Rondelle | Scheibe | |
| 10 | 12155000/0 | 4 | Dado | Nut | Ecrou | Mutter | (See Enclosure 1) |
| 11 | - | 2 | Coprizzo | Hub Cap | Couvre-Moyeu | Radkappe | |
| 12 | 81002839/0 | 1 | Asse Ruote Posteriori | Axle, Rear Wheels | Axe Roues Arriere | Achse, Hinterrad | |
| 13 | 22600131/0 | 2 | Prot. Ruote | Protection, Wheel | Protection Roue | Schütz, Räder | |
| 14 | 322686099/0 | 2 | Ruota Ø 190 | Wheel Ø 190 | Roue Ø 190 | Rad Ø 190 | |

| POS. | CODE | Q.TY | DESCRIZIONE | DESCRIPTION | DESCRIPTION | BESCHREIBUNG | REMARKS |
|------|-------------|------|--------------------------|--------------------------|------------------------|------------------------|-------------------|
| 15 | - | 2 | Coprimezzo | Hub Cap | Couvre-Moyeu | Radkappe | (See Enclosure 2) |
| 21 | 22399818/0 | 1 | Manopolina | Knob | Poignée | Griff | |
| 22 | 322321535/0 | 1 | Leva Regolazione Altezza | Lever, Height Adjustment | Levier Reglage Hauteur | Hebel, Höneverstellung | |
| 24 | 12728691/0 | 2 | Vite | Screw | Vis | Schraube | |
| 25 | 25547049/0 | 1 | Piastrina | Plate | Plaquette | Plättchen | |
| 26 | 22450424/0 | 2 | Molla | Spring | Ressort | Feder | |
| 27 | 22524338/0 | 4 | Perno | Pin | Pivot | Bolzen | |
| 28 | 22869668/0 | 2 | Tirante | Tie Rod | Tirant | Spannstange | |
| 29 | 22109724/0 | 1 | Carter Grigio | Cover, Grey | Couvre, Gris | Kappe, Grau | |
| 29 | 22109731/0 | 1 | Carter Nero | Cover, Grey | Couvre, Gris | Kappe, Schwarz | |



| POS. | CODE | Q.TY | DESCRIZIONE | DESCRIPTION | DESCRIPTION | BESCHREIBUNG | REMARKS |
|------|-------------|------|-----------------------|--------------------------|----------------------------|--------------------|---------|
| 1 | 322393620/1 | 1 | Maniglia Grigio | Handle, Grey | Poignee, Gris | Griff, Grau | |
| 2 | 322486193/2 | 1 | Parte Sup.Sacco | Grassbox Upper Part | Sac, Partie Superieure | Korb Oberteil | |
| 3 | 22486176/0 | 1 | Parte Infer. Sacco Dx | Grassbox Lower Part (R) | Sac, Partie Inferieure (D) | Korb Unterteil (R) | |
| 4 | 22486177/0 | 1 | Parte Infer. Sacco Sx | Grassbox Lower Part (L) | Sac, Partie Inferieure (G) | Korb Unterteil (L) | |
| 11 | 322393620/1 | 1 | Maniglia Grigio | Handle, Grey | Poignee, Gris | Griff, Grau | |
| 12 | 322486193/2 | 1 | Parte Sup.Sacco | Grassbox Upper Part | Sac, Partie Superieure | Korb Oberteil | |
| 13 | 12728680/0 | 2 | Vite | Screw | Vis | Schraube | |
| 14 | 12523050/0 | 2 | Rosetta | Washer | Rondelle | Scheibe | |
| 15 | 22608539/0 | 1 | Rinforzo Inf | Stiffening Lower | Réinforcement Inf | Verstärkung | |
| 16 | 81002266/0 | 1 | Sacco, Tela | Box, Fabric | Sac, Toile | Sack, Tuck | |