



Green Passion

Illustrated Parts List

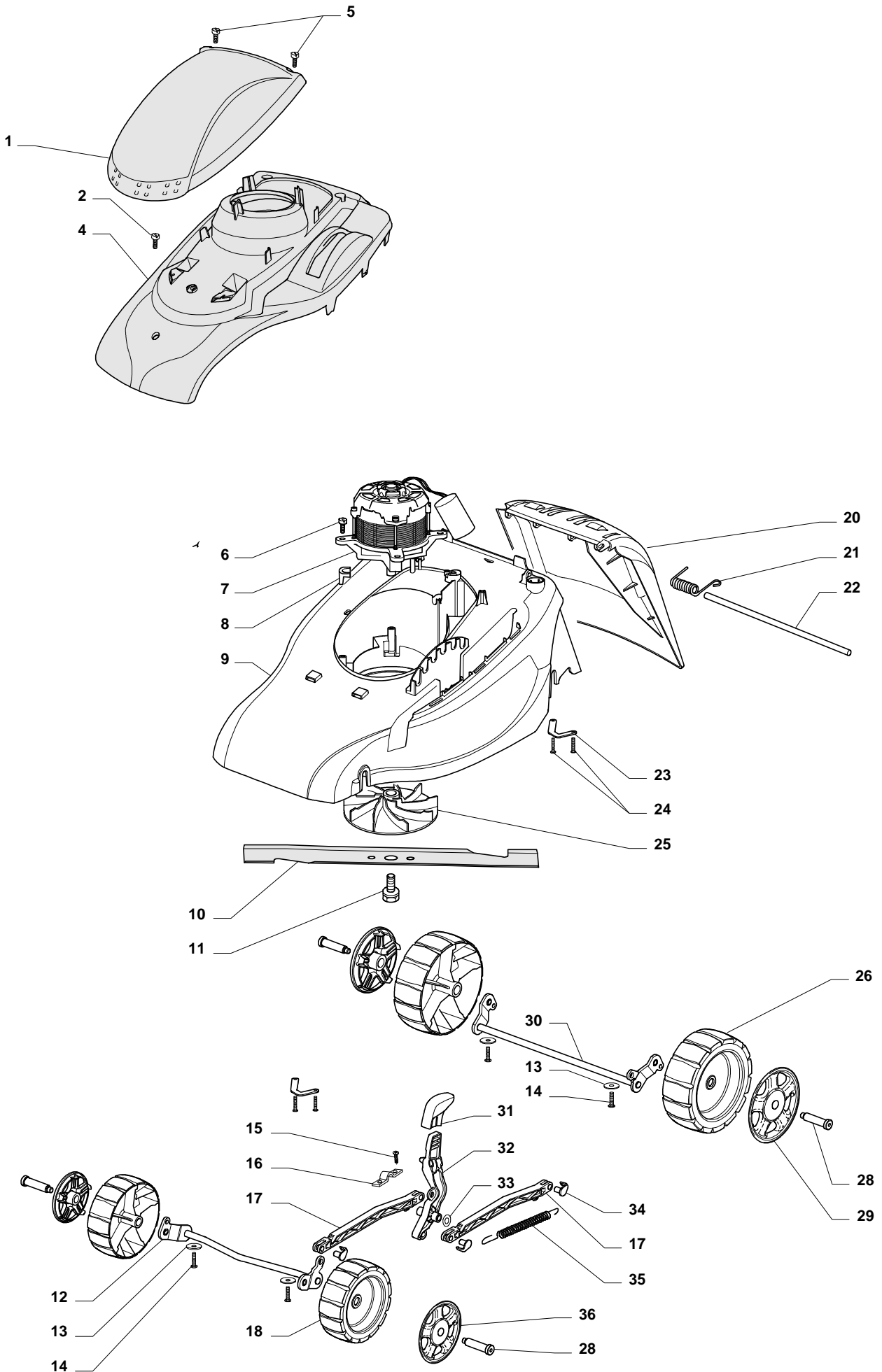
XP 41 EL - Model Year 2010

- Use GLOBAL GARDEN PRODUCT Genuine Spare Parts specified in the parts list for repair and/or replacement.
- The contents described in the parts list may change due to improvement.
- The drawings of the spare parts are only indicative and might not represent the part in question exactly.
- The indications "right" - "left" - "front" - "rear" refer to the position of the operator when using the machine.
- When placing orders of parts for repair and/or replacement, make sure that the illustrated parts list is the one applying to the machine's year of manufacture, as shown on the identification plate attached to the machine.

COPYRIGHT by GLOBAL GARDEN PRODUCTS

All rights reserved. No part of this material may be reproduced or transmitted, in any form or by any means, electronic or mechanical, including photocopying, recording or by any information storage and retrieval system, without permission in writing from GLOBAL GARDEN PRODUCTS.

Chassis

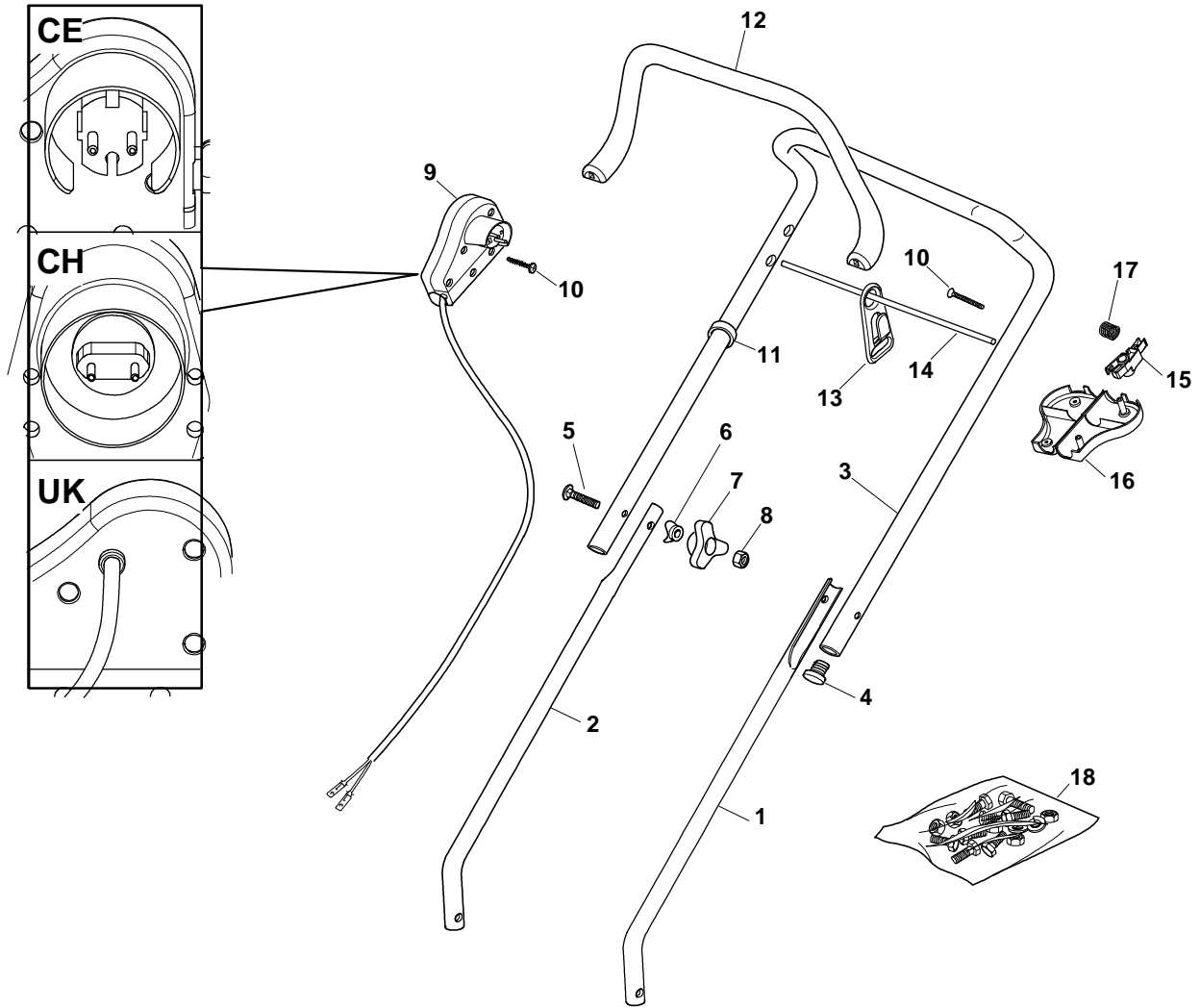




XP 41 EL - Model Year 2010

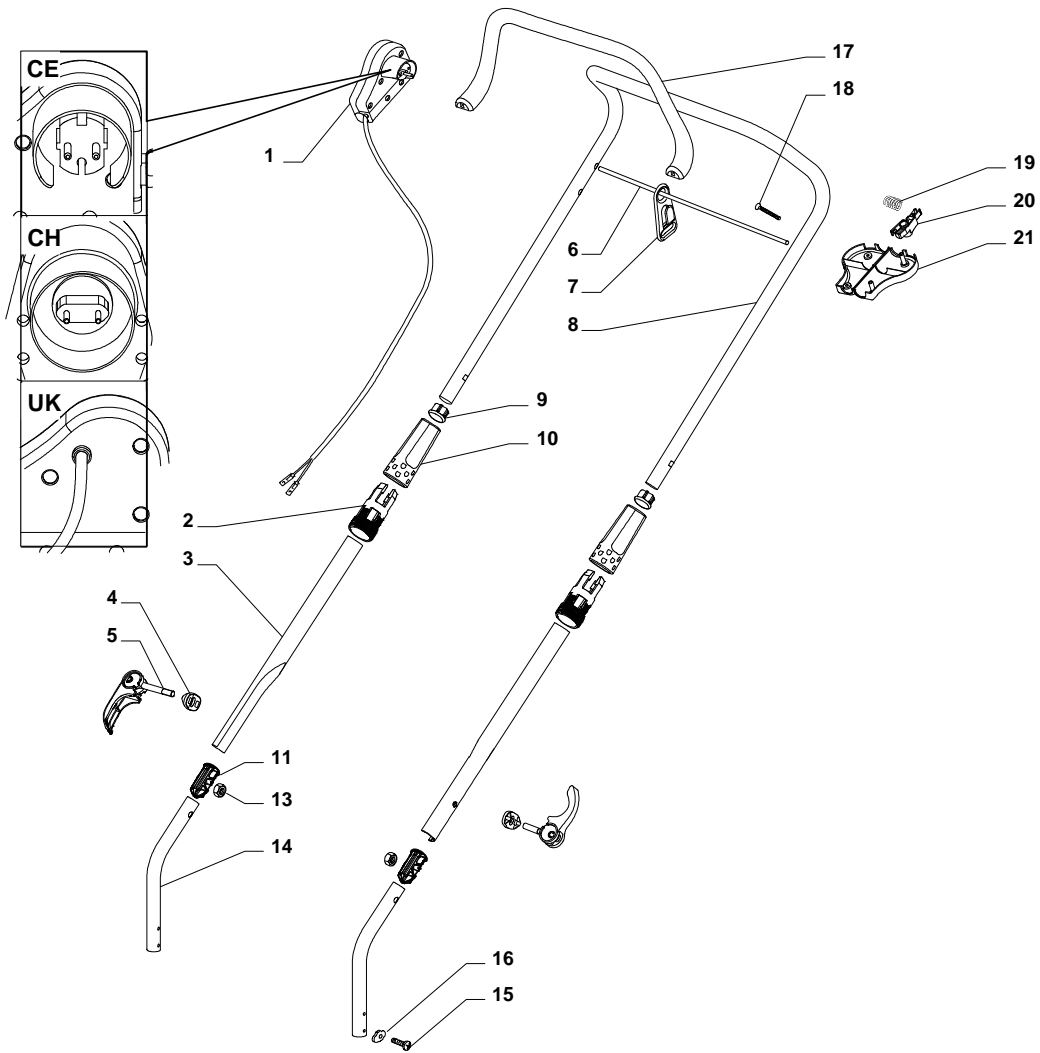
Chassis

| Pos. | Part no. | Q.ty | Description | Remarks |
|------|-------------|------|--------------------------|------------------------|
| 1 | 322055128/0 | 1 | Cover Red | |
| 2 | 12728124/0 | 1 | Screw | |
| 4 | 322785246/0 | 1 | Grey Support, Cover | |
| 5 | 12728701/0 | 2 | Screw | |
| 6 | 12735410/0 | 4 | Screw | |
| 7 | 118563660/0 | 1 | Motor | |
| 7 | 118563660/0 | 1 | Motor | Leo - 230-240V (1300W) |
| 8 | 22167700/0 | 4 | Spacer | |
| 9 | 322066721/0 | 1 | Deck Red | |
| 10 | 81004142/0 | 1 | Blade | |
| 11 | 81004352/0 | 1 | Screw | |
| 12 | 381002855/0 | 1 | Axle, Front Wheels | |
| 13 | 12523050/0 | 4 | Washer | |
| 14 | 112728705/0 | 4 | Screw | |
| 15 | 12728701/0 | 2 | Screw | |
| 16 | 25547049/0 | 1 | Plate | |
| 17 | 322869669/0 | 2 | Tie Rod | |
| 18 | 322686094/0 | 2 | Wheel | |
| 20 | 22600056/2 | 1 | Stone-Guard | |
| 21 | 22450250/0 | 1 | Spring | |
| 22 | 22512601/0 | 1 | Pin | |
| 23 | 322545175/0 | 1 | Plate | |
| 24 | 12728701/0 | 2 | Screw | |
| 25 | 322465602/1 | 1 | Hub | |
| 26 | 322686095/0 | 2 | Wheel | |
| 28 | 22524337/0 | 4 | Pin | |
| 29 | 22110421/0 | 2 | Hub Cap Grey | |
| 30 | 381002857/0 | 1 | Axle, Rear Wheels | |
| 31 | 322399827/0 | 1 | Knob | |
| 32 | 322321528/0 | 1 | Lever, Height Adjustment | |
| 33 | 112520033/0 | 1 | Washer | |
| 34 | 22524338/0 | 4 | Pin | |
| 35 | 122450425/0 | 2 | Spring | |
| 36 | 22110420/0 | 2 | Hub Cap Grey | |

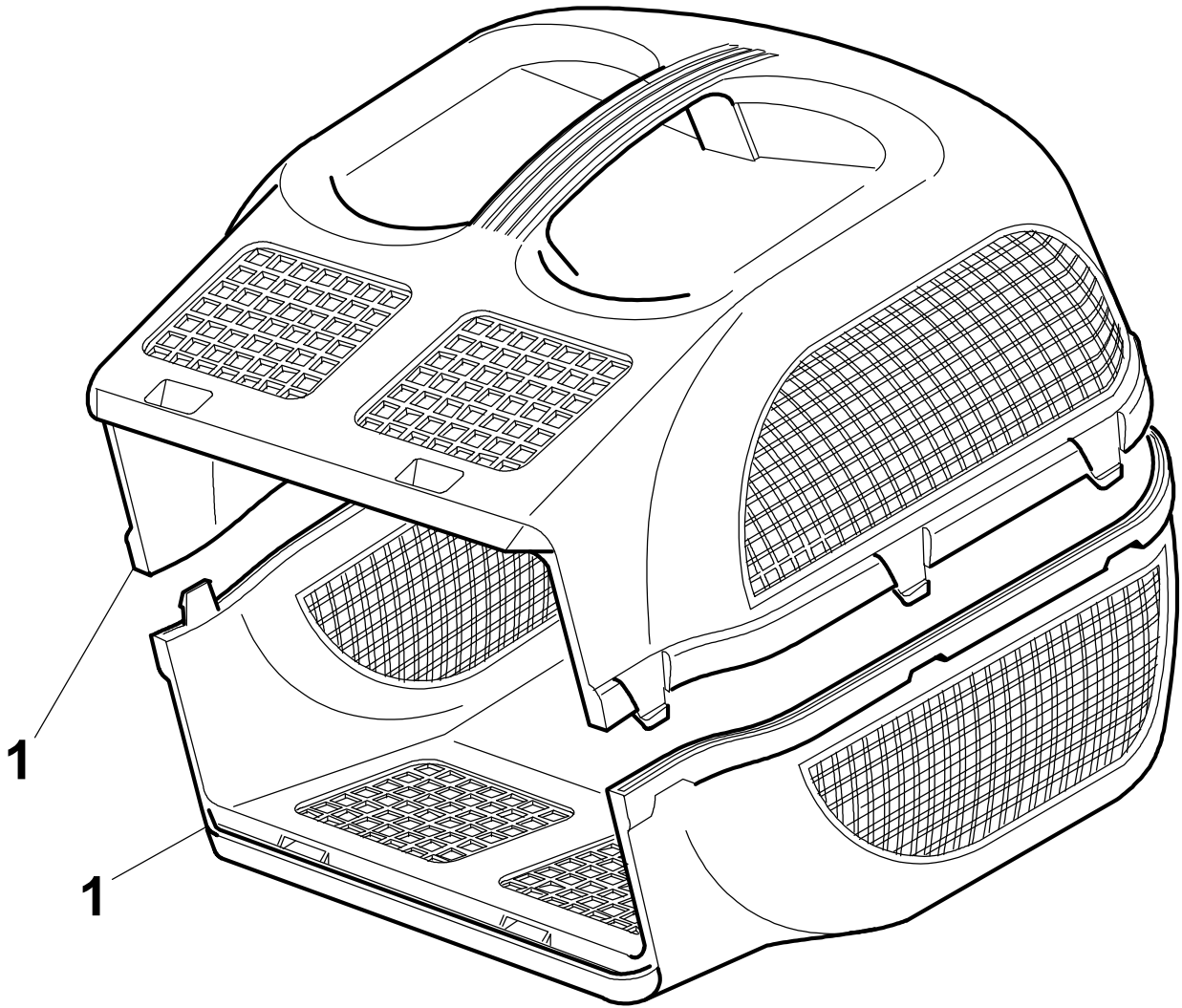
Handle, Upper Part


| Pos. | Part no. | Q.ty | Description | Remarks |
|------|-------------|------|-----------------------|---------|
| 1 | 81006940/1 | 1 | Handle, L Lower | |
| 2 | 81006939/1 | 1 | Handle, R Lower | |
| 3 | 81006941/4 | 1 | Handle, Upper Part | |
| 4 | 18566112/0 | 2 | Cap | |
| 5 | 12819120/0 | 2 | Screw | |
| 6 | 22680006/1 | 2 | Washer | |
| 7 | 22399900/0 | 2 | Knob | |
| 8 | 12293200/0 | 2 | Nut | |
| 9 | 381600503/2 | 1 | Dead Hand Switch | CE |
| 9 | 381600503/2 | 1 | Dead Hand Switch | |
| 9 | 381600504/2 | 1 | Dead Hand Switch | |
| 9 | 381600504/2 | 1 | Dead Hand Switch | CH |
| 9 | 381600505/2 | 1 | Dead Hand Switch | |
| 9 | 381600505/2 | 1 | Dead Hand Switch | UK |
| 10 | 12728701/0 | 4 | Screw | |
| 11 | 22192000/1 | 1 | Clamp | |
| 12 | 322322882/1 | 1 | Lever, Engine Brake | |
| 13 | 22195101/4 | 1 | Fairlead | |
| 14 | 22010250/0 | 1 | Rod, Fairlead Bearing | |
| 15 | 322230350/1 | 1 | Fulcrum Pin | |
| 16 | 22785144/0 | 1 | Support | |
| 17 | 22450115/0 | 1 | Spring | |
| 18 | 81008669/0 | 1 | Outfit, Screws | |

Handle, Upper Part



| Pos. | Part no. | Q.ty | Description | Remarks |
|------|-------------|------|------------------------|---------|
| 1 | 381600503/2 | 1 | Dead Hand Switch | CE |
| 1 | 381600504/2 | 1 | Dead Hand Switch | CH |
| 1 | 381600505/2 | 1 | Dead Hand Switch | UK |
| 2 | 322245063/0 | 2 | Ring Nut, Internal | |
| 3 | 381006697/0 | 1 | Handle, Middle Part | |
| 4 | 322680014/0 | 2 | Washer | |
| 5 | 381003252/0 | 2 | Lever, Handle Blocking | |
| 6 | 22010252/0 | 1 | Rod, Fairlead Bearing | |
| 7 | 22195101/4 | 1 | Fairlead | |
| 8 | 381006695/0 | 1 | Handle, Upper Part | |
| 9 | 22820066/1 | 2 | Cap | |
| 10 | 322245062/0 | 2 | Ring Nut, External | |
| 11 | 322820079/0 | 2 | Cap | |
| 13 | 12293200/0 | 2 | Nut | |
| 14 | 381006693/0 | 1 | Handle, Lower Part | |
| 15 | 12731600/1 | 2 | Screw | |
| 16 | 12523060/0 | 2 | Washer | |
| 17 | 322322880/1 | 1 | Lever, Engine Brake | |
| 18 | 12728701/0 | 4 | Screw | |
| 19 | 22450115/0 | 1 | Spring | |
| 20 | 322230350/1 | 1 | Fulcrum Pin | |
| 21 | 22785144/0 | 1 | Support | |

Grass-Catcher

| Pos. | Part no. | Q.ty | Description | Remarks |
|------|------------|------|-----------------------------|---------|
| 1 | 22486049/0 | 2 | Grass-Box, Upper/Lower Part | |