



Green Passion

Illustrated Parts List

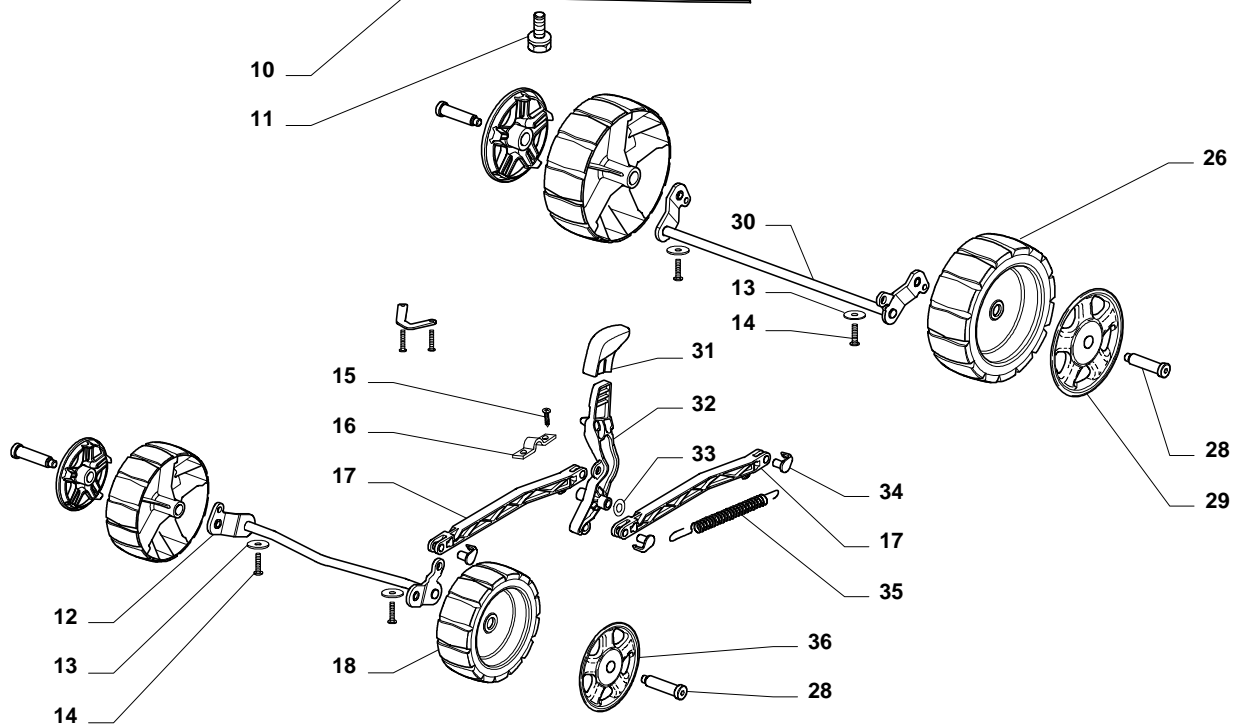
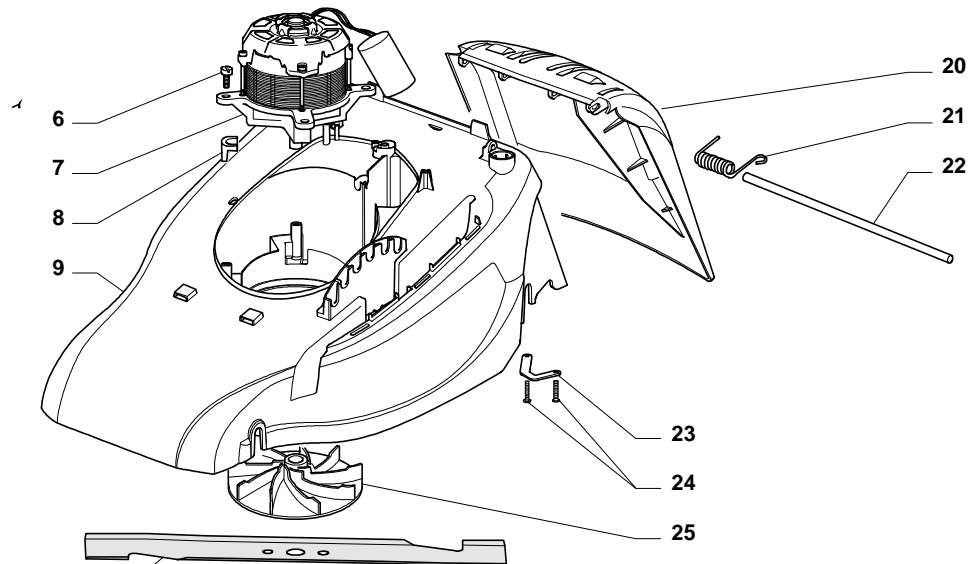
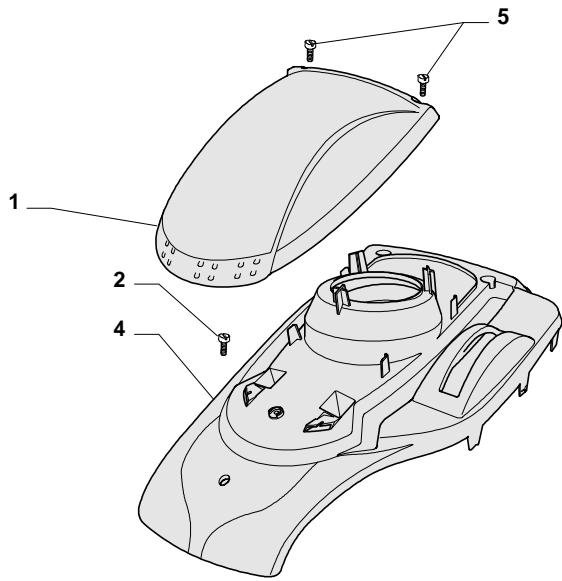
XPL 41 EL - Model Year 2010

- Use GLOBAL GARDEN PRODUCT Genuine Spare Parts specified in the parts list for repair and/or replacement.
- The contents described in the parts list may change due to improvement.
- The drawings of the spare parts are only indicative and might not represent the part in question exactly.
- The indications "right" - "left" - "front" - "rear" refer to the position of the operator when using the machine.
- When placing orders of parts for repair and/or replacement, make sure that the illustrated parts list is the one applying to the machine's year of manufacture, as shown on the identification plate attached to the machine.

COPYRIGHT by GLOBAL GARDEN PRODUCTS

All rights reserved. No part of this material may be reproduced or transmitted, in any form or by any means, electronic or mechanical, including photocopying, recording or by any information storage and retrieval system, without permission in writing from GLOBAL GARDEN PRODUCTS.

Chassis





XPL 41 EL - Model Year 2010

Chassis

Pos.	Part no.	Q.ty	Description	Remarks
1	322055128/0	1	Cover Red	
2	12728124/0	1	Screw	
4	322785246/0	1	Grey Support, Cover	
5	12728701/0	2	Screw	
6	12735410/0	4	Screw	
7	118563660/0	1	Motor	
7	118563660/0	1	Motor	Leo - 230-240V (1300W)
8	22167700/0	4	Spacer	
9	322066721/0	1	Deck Red	
10	81004142/0	1	Blade	
11	81004352/0	1	Screw	
12	381002855/0	1	Axle, Front Wheels	
13	12523050/0	4	Washer	
14	112728705/0	4	Screw	
15	12728701/0	2	Screw	
16	25547049/0	1	Plate	
17	322869669/0	2	Tie Rod	
18	322686094/0	2	Wheel	
20	22600056/2	1	Stone-Guard	
21	22450250/0	1	Spring	
22	22512601/0	1	Pin	
23	322545175/0	1	Plate	
24	12728701/0	2	Screw	
25	322465602/1	1	Hub	
26	322686095/0	2	Wheel	
28	22524337/0	4	Pin	
29	22110421/0	2	Hub Cap Grey	
30	381002857/0	1	Axle, Rear Wheels	
31	322399827/0	1	Knob	
32	322321528/0	1	Lever, Height Adjustment	
33	112520033/0	1	Washer	
34	22524338/0	4	Pin	
35	122450425/0	2	Spring	
36	22110420/0	2	Hub Cap Grey	

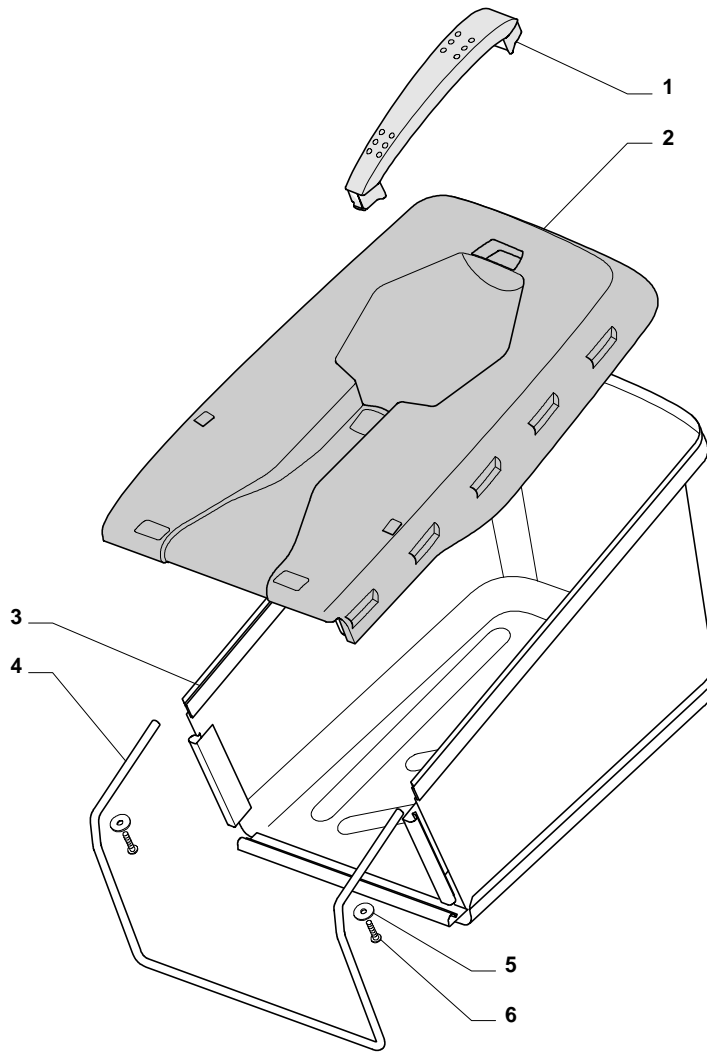


XPL 41 EL - Model Year 2009

Handle, Upper Part

Pos.	Part no.	Q.ty	Description	Remarks
1	381600503/2	1	Dead Hand Switch	CE
1	381600504/2	1	Dead Hand Switch	CH
1	381600505/2	1	Dead Hand Switch	UK
2	322245063/0	2	Ring Nut, Internal	
3	381006679/0	1	Handle, Middle Part	
4	322680014/0	2	Washer	
5	381003252/0	2	Lever, Handle Blocking	
6	22010250/0	1	Rod, Fairlead Bearing	
7	22195101/4	1	Fairlead	
8	81006941/4	1	Handle, Upper Part	
9	22820066/1	2	Cap	
10	322245062/0	2	Ring Nut, External	
11	322820081/0	2	Cap	
13	12293200/0	2	Nut	
14	381006675/1	1	Handle, Lower Part	
15	12731600/1	2	Screw	
16	22545135/0	2	Plate	
17	322322882/1	1	Lever, Engine Brake	
18	12728701/0	4	Screw	
19	22450115/0	1	Spring	
20	322230350/1	1	Fulcrum Pin	
21	22785144/0	1	Support	
22	322321530/0	2	Coiler Cable, Lever	
23	322321531/0	2	Coiler Cable, Base	
24	12728691/0	2	Screw	

Grass-Catcher



Pos.	Part no.	Q.ty	Description	Remarks
1	322393621/0	1	Handle, Red	
2	322486208/0	1	Grassbox Upper Part, Grey	
3	181002273/0	1	Box, Fabric	
4	122608540/0	1	Stiffening Lower	
5	112523030/0	2	Washer	
6	112728705/0	2	Screw	