



Green Passion

Illustrated Parts List

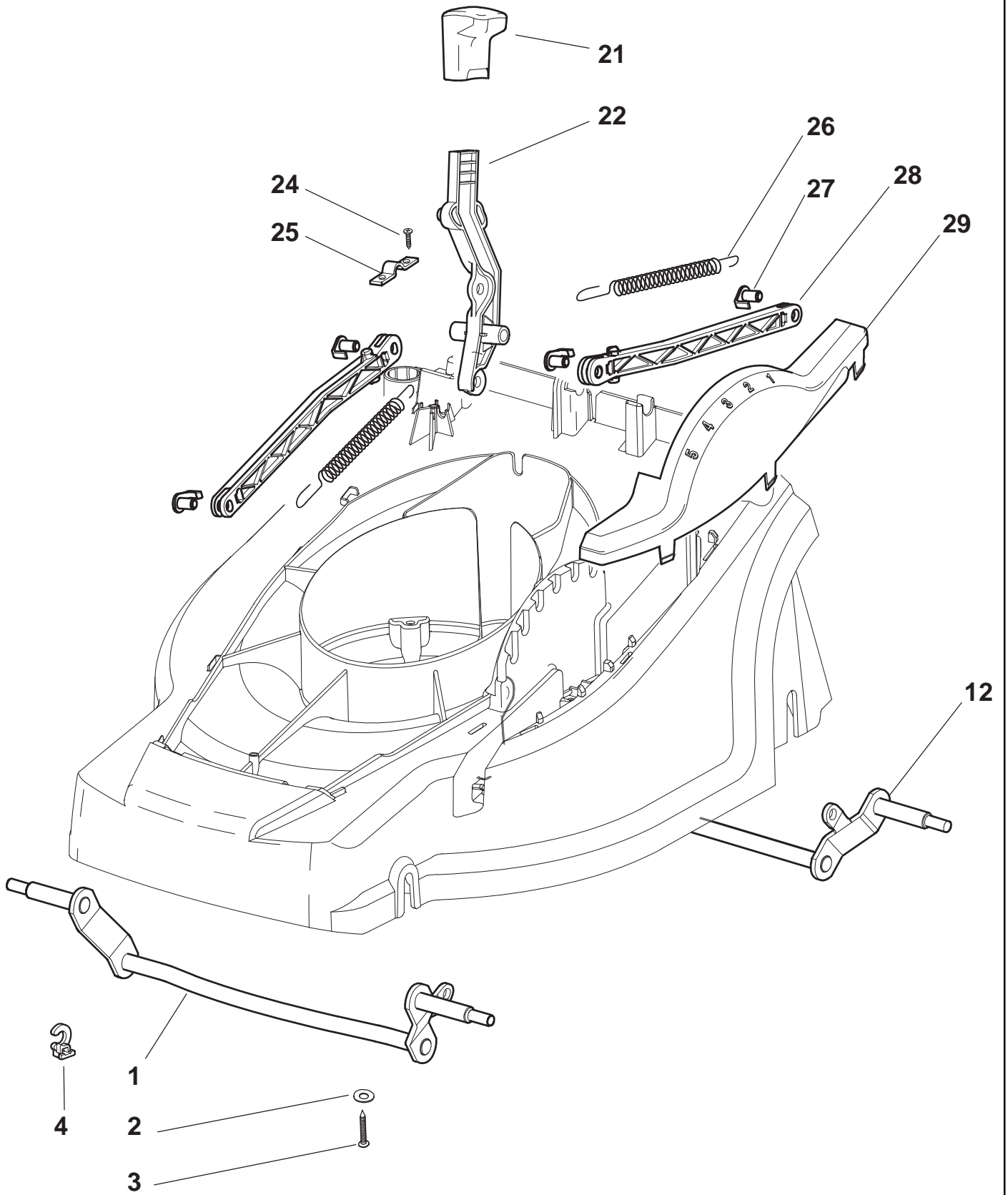
XPL 43 EL

Model Year 2011

- Use GLOBAL GARDEN PRODUCT Genuine Spare Parts specified in the parts list for repair and/or replacement.
- The contents described in the parts list may change due to improvement.
- The drawings of the spare parts are only indicative and might not represent the part in question exactly.
- The indications "right" - "left" - "front" - "rear" refer to the position of the operator when using the machine.
- When placing orders of parts for repair and/or replacement, make sure that the illustrated parts list is the one applying to the machine's year of manufacture, as shown on the identification plate attached to the machine.

COPYRIGHT by GLOBAL GARDEN PRODUCTS

All rights reserved. No part of this material may be reproduced or transmitted, in any form or by any means, electronic or mechanical, including photocopying, recording or by any information storage and retrieval system, without permission in writing from GLOBAL GARDEN PRODUCTS.

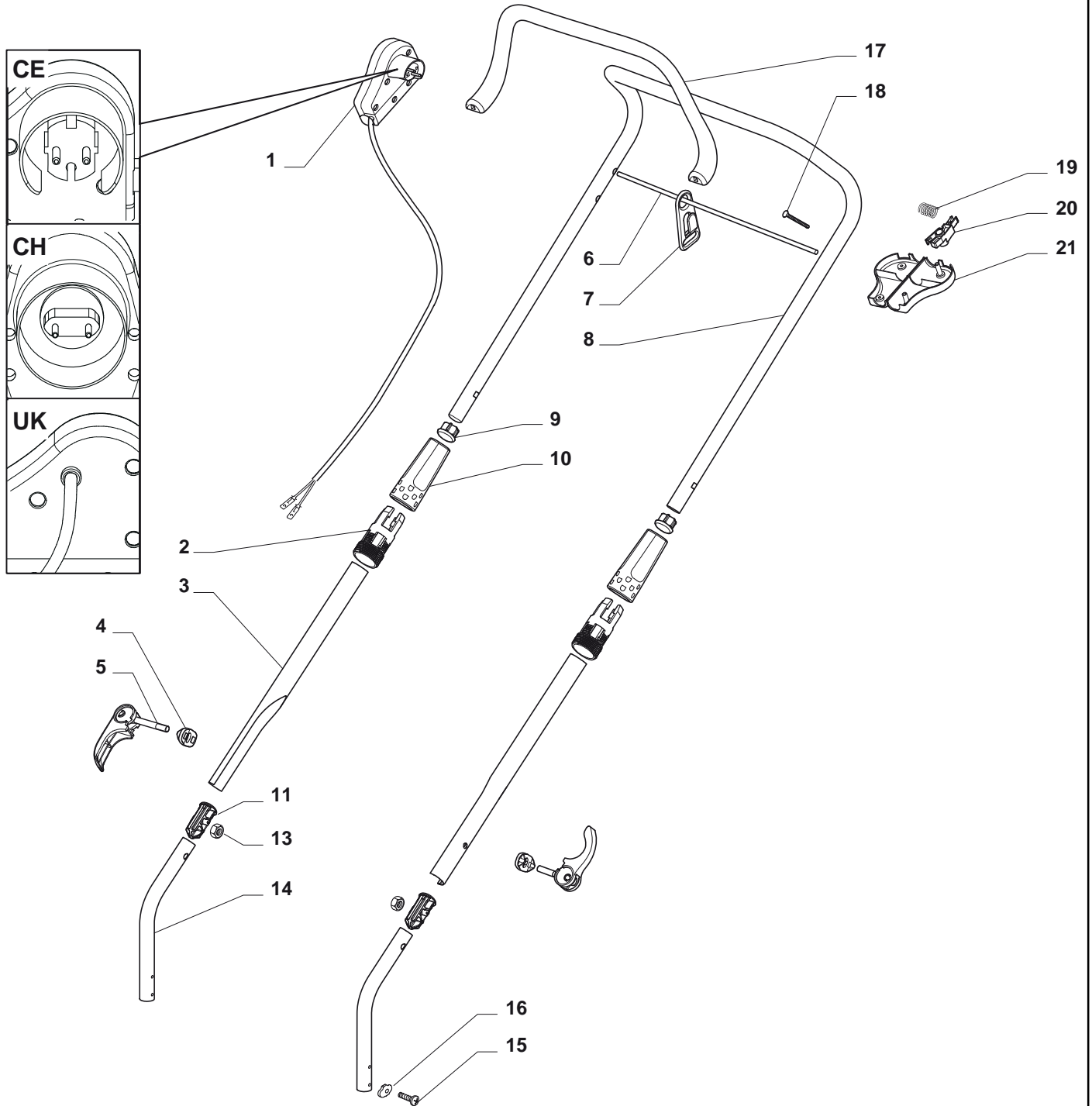




XPL 43 EL

Height Adjusting

Pos.	Part no.	Q.ty	Description	Remarks
1	81002837/0	1	Axle, Front Wheels	
2	12523050/0	4	Washer (Hydro)	
3	12728680/0	4	Screw	
4	22170631/0	2	Spacer	
12	81002839/0	1	Axle, Rear Wheels	
21	22399818/0	1	Knob	
22	322321535/0	1	Lever, Height Adjustment	
24	12728691/0	2	Screw	
25	25547049/0	1	Plate	
26	22450424/0	2	Spring	
27	22524338/0	4	Pin	
28	22869668/0	2	Tie Rod	
29	22109724/0	1	Cover, Grey	

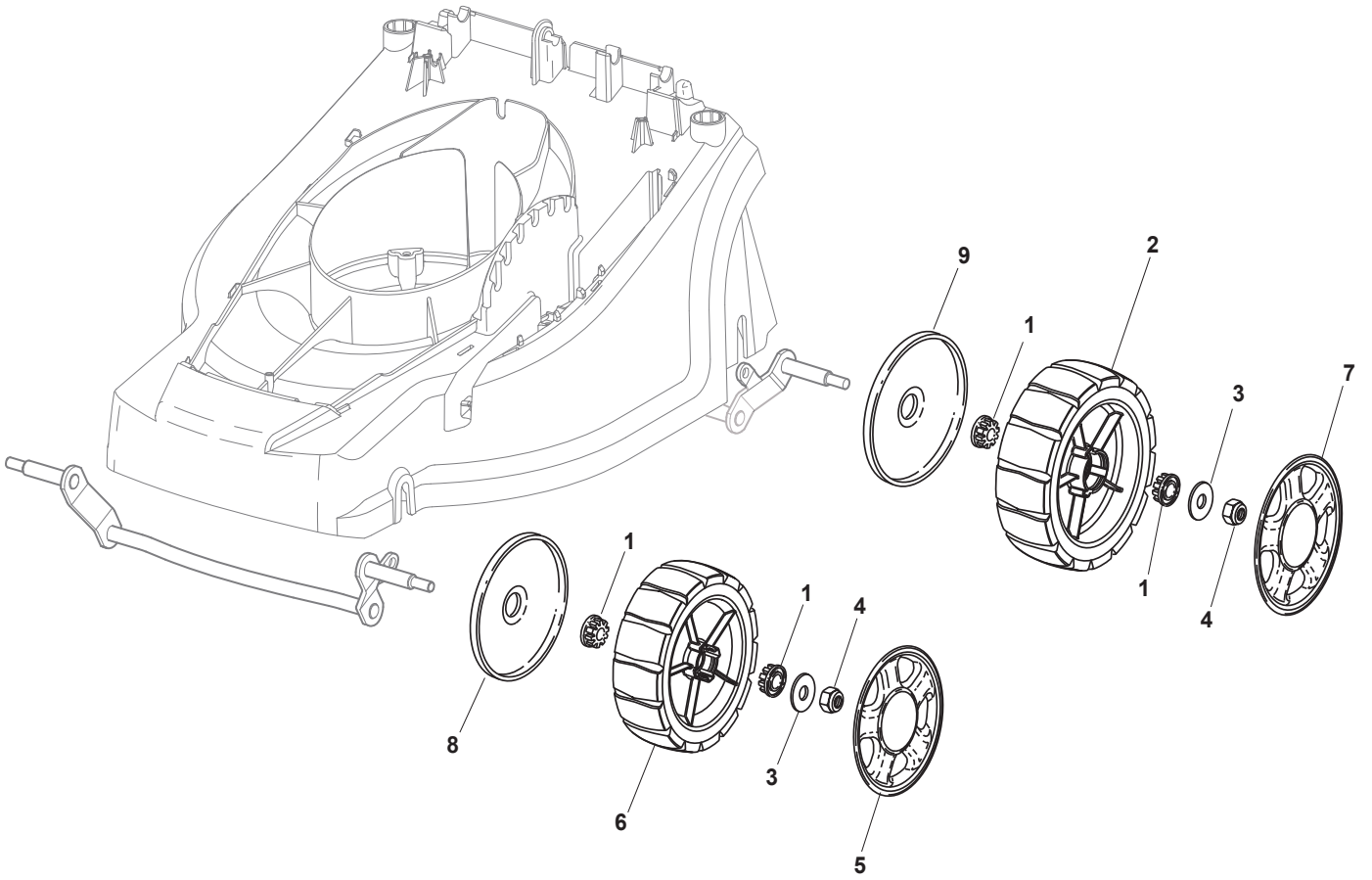




XPL 43 EL

Handle, Upper Part

Pos.	Part no.	Q.ty	Description	Remarks
1	381600503/3	1	Dead Hand Switch	
2	322245063/0	2	Ring Nut, Internal	
3	381006697/0	1	Handle, Middle Part	
4	322680014/0	2	Washer	
5	381003252/0	2	Lever, Handle Blocking	
6	22010252/0	1	Rod, Fairlead Bearing	
7	22195101/4	1	Fairlead	
8	381006695/0	1	Handle, Upper Part	
9	22820066/1	2	Cap	
10	322245062/0	2	Ring Nut, External	
11	322820079/0	2	Cap	
13	12293200/0	2	Nut	
14	381006693/0	1	Handle, Lower Part	
15	12731600/1	2	Screw	
16	12523060/0	2	Washer (Mech.)	
17	322322882/1	1	Lever, Engine Brake	
18	12728701/0	4	Screw	
19	22450115/0	1	Spring	
20	322230350/1	1	Fulcrum Pin	
21	322785144/1	1	Support	

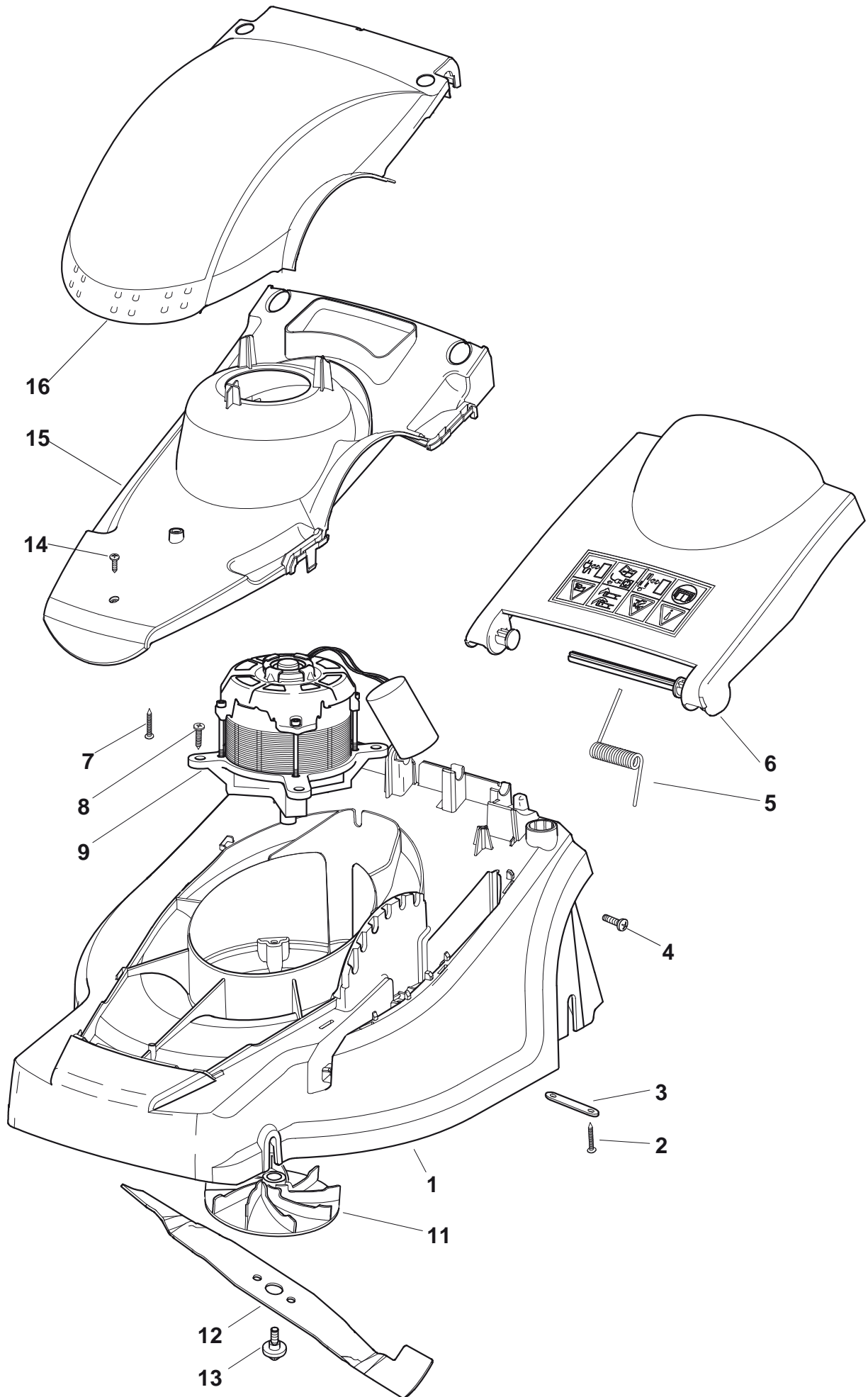




XPL 43 EL

Wheel and Hub Cap

Pos.	Part no.	Q.ty	Description	Remarks
1	22034508/0	8	Bush	
2	22686091/1	2	Wheel Ø 165	
3	12523060/0	4	Washer (Mech.)	
4	12155000/0	4	Nut	
5	22110381/0	2	Hub Cap	
6	22686092/0	2	Wheel Ø 190	
7	22110382/0	2	Hub Cap	
8	22600095/0	2	Protection, Wheel	
9	22600131/0	2	Protection, Wheel	

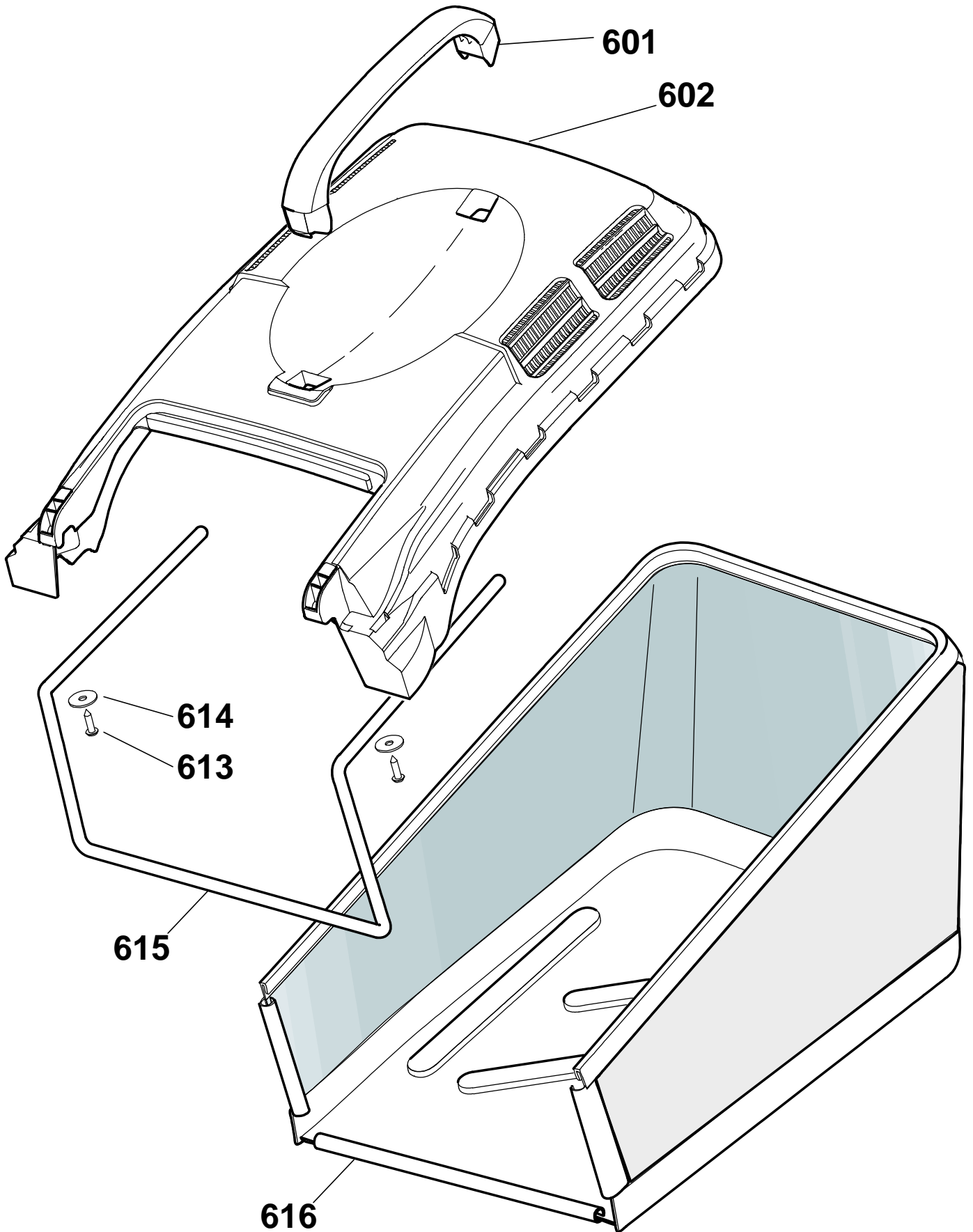




XPL 43 EL

Electric Motor/Blade/Cover

Pos.	Part no.	Q.ty	Description	Remarks
1	322066733/0	1	Deck Red	
2	12728691/0	2	Screw	
3	22608535/0	1	Plate	
4	12728450/0	2	Screw	
5	22450423/0	1	Spring	
6	322600157/1	1	Stone-Guard, Grey	
7	12728691/0	1	Screw	
8	12735410/0	4	Screw	
9	118563667/0	1	Motor	
11	322465602/1	1	Hub Fan	
12	81004145/0	1	Blade	
13	381004352/1	1	Screw	
14	12728524/0	1	Screw	
15	322109723/1	1	Support, Cover	
16	322055479/0	1	Cover, Red	





XPL 43 EL

Grass-Catcher

Pos.	Part no.	Q.ty	Description	Remarks
601	322393620/1	1	Handle, Grey	
602	322486193/2	1	Grassbox Upper Part	
613	12728680/0	2	Screw	
614	12523050/0	2	Washer (Hydro)	
615	22608539/0	1	Stiffening Lower	
616	81002266/0	1	Box, Fabric	