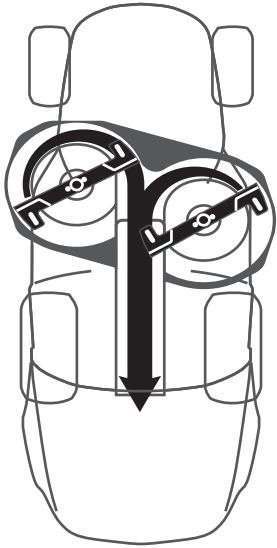
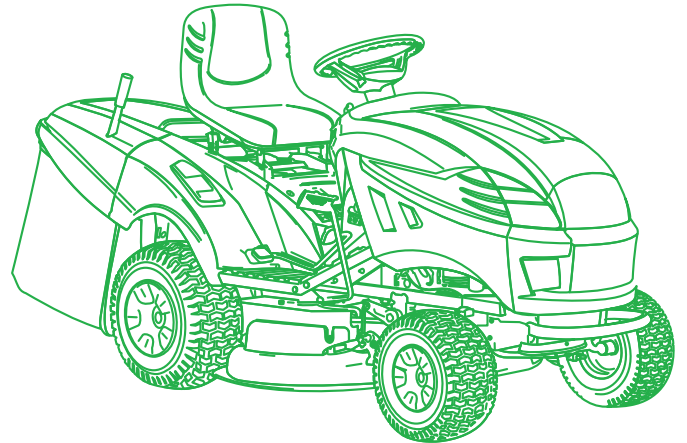


Genuine Spare Parts



92



Catalogo delle parti di ricambio
Spare parts catalogue
Catalogue des pieces de rechange
Ersatzteilkatalog

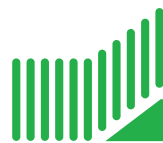
2011

- Use GLOBAL GARDEN PRODUCT Genuine Spare Parts specified in the parts list for repair and/or replacement.
- The contents described in the parts list may change due to improvement.
- The drawings of the spare parts are only indicative and might not represent the part in question exactly.
- The indications "right" - "left" - "front" - "rear" refer to the position of the operator when using the machine.
- When placing orders of parts for repair and/or replacement, make sure that the illustrated parts list is the one applying to the machine's year of manufacture, as shown on the identification plate attached to the machine.

© Copyright 2011 Global Garden Products

All content is subject to copyright by Global Garden Products and may not be reproduced in whole or in part by any means, electronic or otherwise, without prior written approval.

THIS INFORMATION IS NOT INTENDED FOR SALE OR RESALE, AND THIS NOTICE MUST REMAIN ON ALL COPIES.



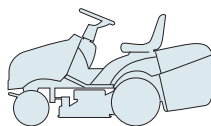
GLOBAL GARDEN PRODUCTS

N..92

N..92 hydro

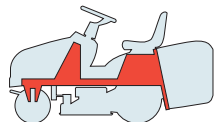
CATALOGO DELLE PARTI DI RICAMBIO
SPARE PARTS CATALOGUE
CATALOGUE DES PIECES DE RECHANGE
ERSATZTEILKATALOG

2011



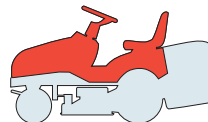
**TELAIO
CHASSIS
CHASSIS
RAHMENSATZ**

➔ [4001](#)



**CARROZZERIA
BODY
CARROSSERIE
KARROSSERIE**

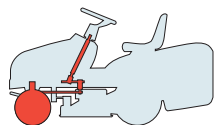
- NJ ➔ [4002](#)
- NJR ➔ [4002a](#)
- NJTP ➔ [4002b](#)
- NJB ➔ [4002c](#)
- NJX ➔ [4002d](#)
- NJS ➔ [4002e](#)
- NJU ➔ [4002f](#)



**STERZO
STEERING
BARRE DE DIRECTION
LENKGETRIEBE**

Pneumatici / Tires / Pneus / Reifen
13" ➔ [4003](#)

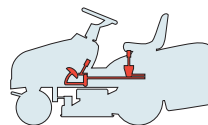
Pneumatici / Tires / Pneus / Reifen
15" ➔ [4003a](#)



**COMANDO TRASMISSIONE E FRENO
DRIVE AND BRAKE CONTROLS
COMMANDE TRANSMISSION ET FREIN
GETRIEBE UND BREMSE ANTRIEB**

N...92 ➔ [4004M](#)

N...92 Hydro ➔ [4004Y](#)



**MOTORE
ENGINE
MOTEUR
MOTOR**

B&S 11,5-12,5-13,5 HP. ➔ [4005](#)

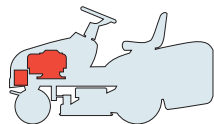
B&S 15,5 - 16,5 HP ➔ [4005a](#)

HONDA GXV 390 ➔ [4005b](#)

HONDA GCV 530 ➔ [4005c](#)

KOHLER 16 HP ➔ [4005d](#)

GGP 12,5-13,5-14-14,5
16 HP ➔ [4005e](#)

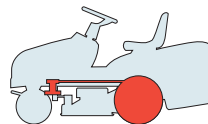


**TRASMISSIONE
TRANSMISSION
TRANSMISSION
GETRIEBE**

N...92 ➔ [4006M](#)

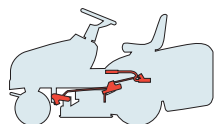
N...92 Hydro (Tuff Torq) ➔ [4006Y](#)

N...92 Hydro (Hydro-Gear) .. ➔ [4006Ya](#)



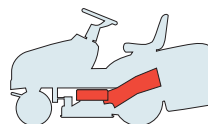
**SOLLEVAMENTO PIATTO DI TAGLIO
CUTTING PLATE LIFTING
SOULEVEMENT PLATEAU DE COUPE
SCHNEIDWERKZEUG AUFHEBESATZ**

➔ [4007](#)



**PROTEZIONI E CONVOGLIATORE
GUARDS AND CONVEYOR
PROTECTIONS ET CONVOYEUR
SCHUTZEN UND BLECHSATZ**

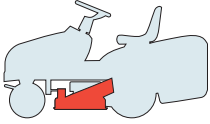
➔ [4008](#)





**PIATTO DI TAGLIO
CUTTING PLATE
PLATEAU DE COUPE
SCHNEIDWERKZEUG**

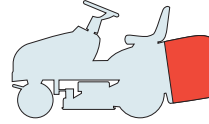
↪ [4009](#)



**SACCO
GRASSCATCHER
BAC
AUFFANGSACK**

Type "HE" ↪ [4010](#)

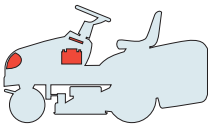
Type "LE" ↪ [4010a](#)



**PARTI ELETTRICHE
ELECTRICAL PARTS
PARTIES ELECTRIQUES
ELETRISCHE TEILE**

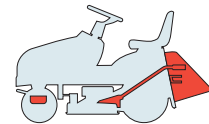
B&S - KOHLER - GGP ... ↪ [4011](#)

HONDA ↪ [4011a](#)



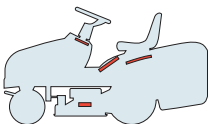
**ACCESSORI A RICHIESTA
OPTIONALS ON REQUEST
ACCESSOIRES SUR DEMANDE
ZUBEHOERE NACH ANFRAGE**

↪ [4012](#)



**ETICHETTE
LABELS
ETIQUETTES
KLEBZETTEL**

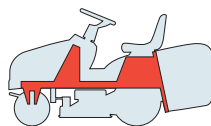
↪ [4013](#)



J JR JTP JB JX JS JU

N...92

N...92 hydro

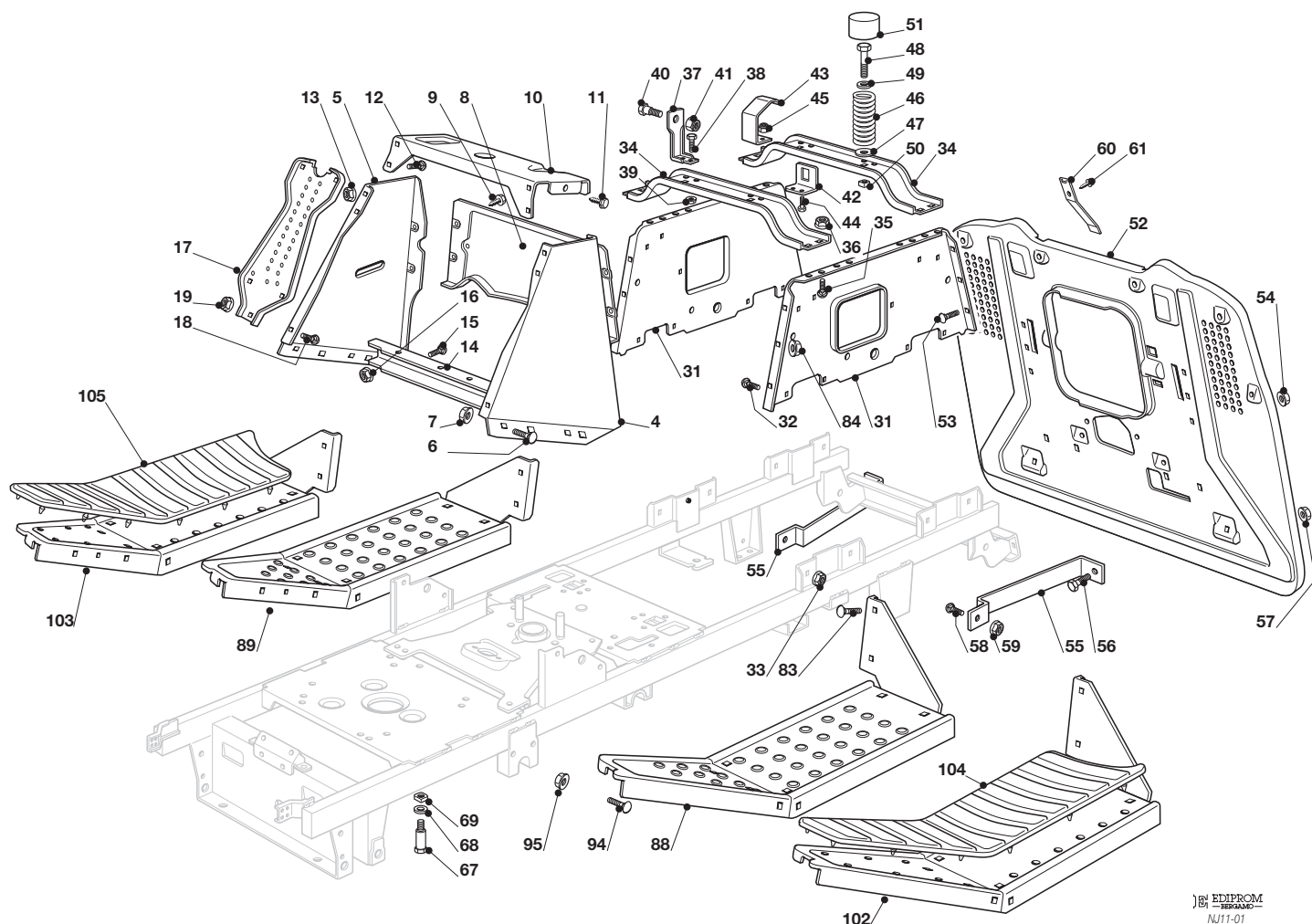


TELAIO
CHASSIS
CHASSIS
RAHMENSATZ

2011

4001.0

1 / 2



EDIPROM
NJ11-01

N.	CODE	Q.TY	DESCRIZIONE	DESCRIPTION	DESCRIPTION	BESCHREIBUNG
4	325785243/1	1	Supp. Cruscotto Sin.	Left Dashboard Supp.	Support Tableau Gauche	Linker Konsolehalter
5	25785245/0	1	Supp. Cruscotto Destro	Right Dashboard Supp.	Support Tableau Droite	Rechter Konsolehalter
6	12818690/0	4	Vite	Screw	Vis	Schraube
7	12293201/0	4	Dado	Nut	Ecrou	Mutter
8	382785151/1	1	Supp. Cruscotto Posteriore	Rear Dashboard Supp	Support Tableau Arriere	Konsole Hinterrad
9	12735110/0	4	Vite	Screw	Vis	Schraube
10	25785255/0	1	Supp. Cruscotto Centr.	Central Dashboard Supp	Support Tableau Centr.	Zentr. Konsole Halter
11	12735110/0	2	Vite	Screw	Vis	Schraube
12	12815200/0	4	Vite	Screw	Vis	Schraube
13	12292102/0	4	Dado	Nut	Ecrou	Mutter
14	25785241/0	1	Supporto	Support	Support	Halter
15	12815200/0	2	Vite	Screw	Vis	Schraube
16	12292102/0	2	Dado	Nut	Ecrou	Mutter
17	382785153/1	2	Supp. Cruscotto Anteriore	Front Dashboard Supp	Support Tableau Avant	Konsole Vorderrad
18	12815200/0	2	Vite	Screw	Vis	Schraube
19	12292102/0	2	Dado	Nut	Ecrou	Mutter
31	325785249/1	2	Supporto Sedile	Seat Support	Support Siege	Sitzhalter
32	12815200/0	8	Vite	Screw	Vis	Schraube
33	12292102/0	8	Dado	Nut	Ecrou	Mutter
34	325785257/1	2	Supporto Sedile	Seat Support	Support Siege	Sitzhalter
35	12818690/0	8	Vite	Screw	Vis	Schraube
36	12293201/0	8	Dado	Nut	Ecrou	Mutter
37	25755039/0	2	Squadretta	Bracket	Equerre-Support	Winkel
38	12792611/0	4	Vite	Screw	Vis	Schraube
39	12293201/0	4	Dado	Nut	Ecrou	Mutter
40	22524970/2	2	Perno	Pin	Pivot	Bolzen
41	12155010/0	2	Dado	Nut	Ecrou	Mutter
42	25755043/0	1	Squadretta	Bracket	Equerre-Support	Winkel
43	25430253/0	1	Molla	Spring	Ressort	Feder





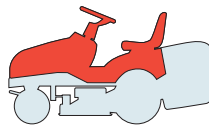
N.	CODE	Q.TY	DESCRIZIONE	DESCRIPTION	DESCRIPTION	BESCHREIBUNG
44	12789000/0	2	Vite	Screw	Vis	Schraube
45	12154330/0	2	Dado	Nut	Ecrou	Mutter
46	125430257/1	2	Molla	Spring	Ressort	Feder
47	12523070/0	2	Rosetta	Washer	Rondelle	Scheibe
48	12760515/0	2	Vite	Screw	Vis	Schraube
49	22671653/0	2	Rosetta	Washer	Rondelle	Scheibe
50	12360425/0	2	Dado	Nut	Ecrou	Mutter
51	25122000/2	2	Cuffia	Hood	Protecteur	Schutzkasten
52	382547041/1	1	Piastra	Plate	Plaque	Platte
53	12792611/0	6	Vite	Screw	Vis	Schraube
54	12293201/0	6	Dado	Nut	Ecrou	Mutter
55	25650119/0	2	Rinforzo	Plate Stiffening	Renforcement Plaque	Platteverstaerkug
56	12792611/0	2	Vite	Screw	Vis	Schraube
57	12293201/0	2	Dado	Nut	Ecrou	Mutter
58	12818690/0	2	Vite	Screw	Vis	Schraube
59	12293201/0	2	Dado	Nut	Ecrou	Mutter
60	27430554/0	1	Molla	Spring	Ressort	Feder
61	12735110/0	1	Vite	Screw	Vis	Schraube
67	25580030/0	2	Piolo Guidacinghia (Mecc.)	Belt Guide (Mech.)	Guide De Courroie (Mec.)	Riemenführung (Mech.)
68	12523060/0	2	Rosetta (Mecc.)	Washer (Mech.)	Rondelle (Mec.)	Scheibe (Mech.)
69	12360425/0	2	Dado (Mecc.)	Nut (Mech.)	Ecrou (Mec.)	Mutter (Mech.)
83	12792611/0	4	Vite	Screw	Vis	Schraube
84	12293201/0	4	Dado	Nut	Ecrou	Mutter
88	382510079/0	1	Supporto Pedana Sinistro	Left Footboard Support	Support Marchepied Gauche	Linke Fussbretthalter
89	382510077/0	1	Supporto Pedana Destro	Right Footboard Support	Support Marchepied Droite	Rechte Fussbretthalter
94	12815200/0	4	Vite	Screw	Vis	Schraube
95	12292102/0	4	Dado	Nut	Ecrou	Mutter
102	382510083/0	1	Supporto Pedana Sinistro	Left Footboard Support	Support Marchepied Gauche	Linke Fussbretthalter
103	382510081/0	1	Supporto Pedana Destro	Right Footboard Support	Support Marchepied Droite	Rechte Fussbretthalter
104	25110327/0	1	Copripedana Sinistra	Left Footboard Cover	Couvre Marchepied Gau.	Linke Fussbrettdeckel
105	25110326/0	1	Copripedana Destra	Right Footboard Cover	Couvre Marchepied Dro.	Rechte Fussbrettdeckel



J JR JTP JB JX JS JU

N...92

N...92 hydro

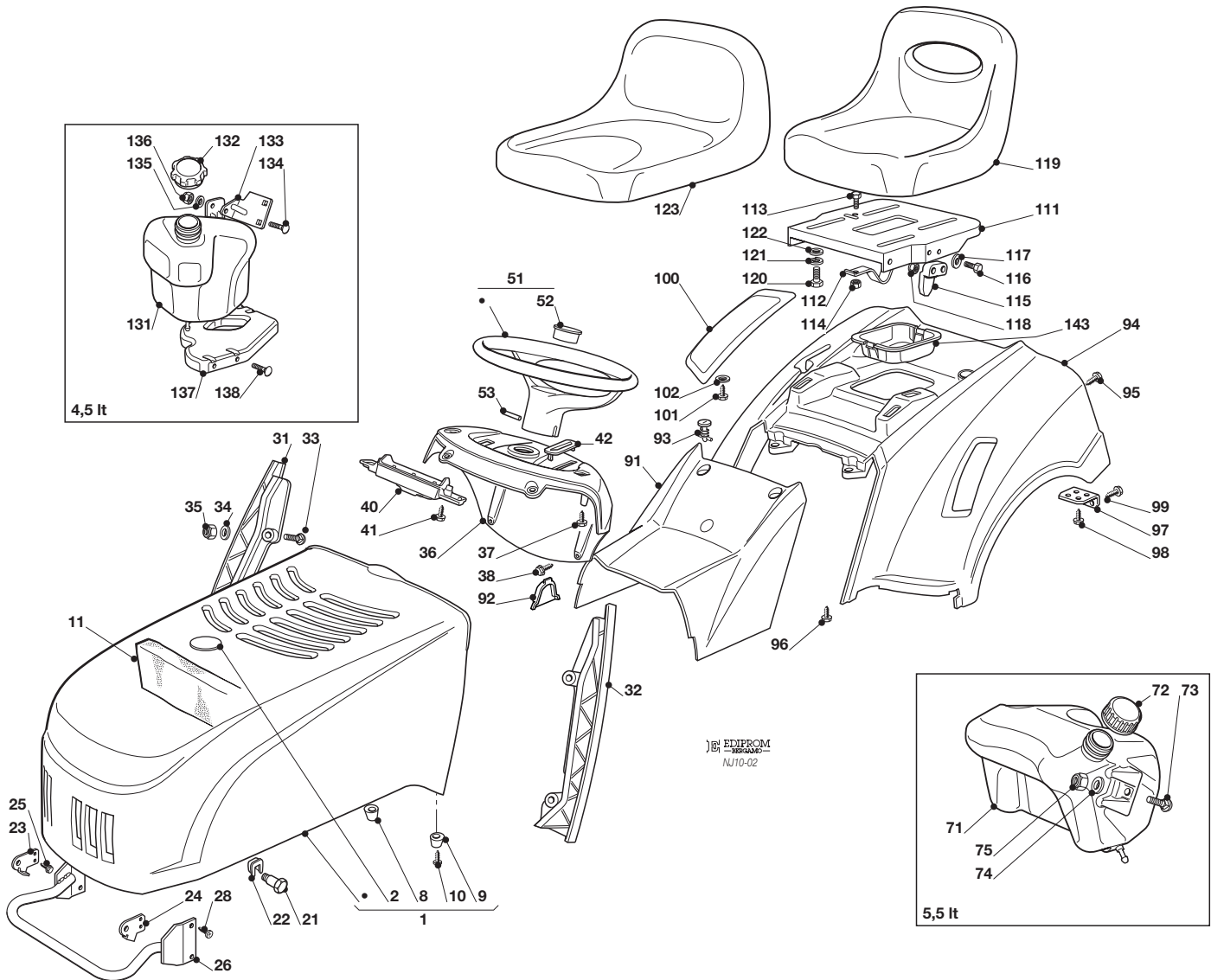


CARROZZERIA
BODY
CARROSSERIE
KARROSSERIE

2011

4002.0

1 / 2



N.	CODE	Q.TY	DESCRIZIONE	DESCRIPTION	DESCRIPTION	BESCHREIBUNG
1	82076902/1	1	Cofano Rosso	Engine Hood Red	Capot Rouge	Haubesatz Rot
2	25547025/1	1	Piastrina Rossa	Plate Red	Plaque Rouge	Platte Rot
8	25580012/0	1	Piolo Destro	Right Pin	Bondon Droite	Rechte Dübel
9	25580013/0	1	Piolo Sinistro	Left Pin	Bondon Gauche	Linke Dübel
10	12727356/0	2	Vite	Screw	Vis	Schraube
11	25730005/1	1	Separatore Aspiraz. (16)	Intake Separator (16)	Separateur Aspirat. (16)	Augenabscheider (16)
21	25510045/0	2	Perno	Pin	Pivot	Bolzen
22	12436050/0	2	Piastrina	Plate	Plaque	Platte
23	325547089/1	1	Piastrina Destra	Right Plate	Plaque Droite	Rechte Platte
24	325547091/1	1	Piastrina Sinistra	Left Plate	Plaque Gauche	Linke Platte
25	12731580/0	4	Vite	Screw	Vis	Schraube
26	82869031/0	1	Protezione Silenziatore	Muffler Protection	Protection Silencieux	Auspuffschutz
28	12734995/0	4	Vite	Screw	Vis	Schraube
31	25599010/0	1	Supp. Cruscotto Destro	Right Dashboard Supp.	Support Tableau Droite	Rechter Konsolehalter
32	25599011/0	1	Supp. Cruscotto Sin.	Left Dashboard Supp.	Support Tableau Gauche	Linker Konsolehalter
33	12815221/0	4	Vite	Screw	Vis	Schraube
34	12521330/0	4	Rosetta	Washer	Rondelle	Scheibe
35	12154510/0	4	Dado	Nut	Ecrou	Mutter
36	25120190/0	1	Cruscotto	Dashboard	Tableau De Bord	Konsole
37	12728440/0	2	Vite	Screw	Vis	Schraube
38	12735402/0	2	Vite	Screw	Vis	Schraube
40	25600074/0	1	Protezione Scheda	Card Protection	Protection De Carte	Karteschutz
41	12735402/0	2	Vite	Screw	Vis	Schraube





N.	CODE	Q.TY	DESCRIZIONE	DESCRIPTION	DESCRIPTION	BESCHREIBUNG
42	25547181/0	1	Piastrina	Plate	Plaque	Platte
51	25961201/0	1	Volante	Steering Wheel	Volant	Lenkrad
52	25120230/0	1	Tappo	Cap	Bouchon	Stopfen
53	12620299/0	1	Spina	Pin	Goupille	Stift
91	325110363/0	1	Copertura Centrale, Rosso	Cover, Red	Couvre, Rouge	Kappe, Rot
92	25207172/0	1	Piastrina (Mecc.)	Plate (Mech.)	Plaque (Mec.)	Platte (Mech.)
93	125580020/2	2	Perno	Pivot	Goujon	Stift
94	25110322/0	1	Copertura Ruote, Rosso	Wheels Cover, Red	Couvre-Roues, Rouge	Radenkappe, Rot
95	12735402/0	4	Vite	Screw	Vis	Schraube
96	12735402/0	2	Vite	Screw	Vis	Schraube
97	25755041/0	2	Squadretta	Bracket	Equerre-Support	Winkel
98	12728686/0	4	Vite	Screw	Vis	Schraube
99	12735110/0	2	Vite	Screw	Vis	Schraube
100	25207171/0	1	Copertura (Hydro)	Cover (Hydro)	Couvre (Hydro)	Kappe (Hydro)
101	12735402/0	2	Vite (Hydro)	Screw (Hydro)	Vis (Hydro)	Schraube (Hydro)
102	12523050/0	4	Rosetta (Hydro)	Washer (Hydro)	Rondelle (Hydro)	Scheibe (Hydro)
111	25547033/1	1	Piastra	Plate	Plaque	Platte
112	25430223/2	1	Molla	Spring	Ressort	Feder
113	12789000/0	1	Vite	Screw	Vis	Schraube
114	12154330/0	1	Dado	Nut	Ecrou	Mutter
115	27063021/1	1	Camma	Cam	Came	Nocken
116	12789100/0	2	Vite	Screw	Vis	Schraube
117	12523020/0	2	Rosetta	Washer	Rondelle	Scheibe
118	12154330/0	2	Dado	Nut	Ecrou	Mutter
119	25722453/1	1	Sedile	Seat	Siege	Sitz
120	12793101/0	4	Vite	Screw	Vis	Schraube
121	12583500/0	4	Grower	Grower	Grower	Grower
122	12523060/0	4	Rosetta	Washer	Rondelle	Scheibe
123	125722470/0	1	Sedile	Seat	Siege	Sitz
143	325207176/0	1	Vaschetta	Basin	Cuvette	Wanne

**Nei modelli con
Serbatoio 5,5 Lt:**

**For models with
Tank 5,5 Lt:**

**Dans les modèles avec
Reservoir 5,5 Lt:**

**Bei Modellen mit
Tank 5,5 Lt:**

71	325735128/0	1	Serbatoio	Tank	Reservoir	Tank
72	25795001/1	1	Tappo Serbatoio	Cap	Bouchon	Tankverschluss
73	12815210/0	2	Vite	Screw	Vis	Schraube
74	325160039/0	2	Distanziale	Spacer	Entretoise	Entfernungsstück
75	12154510/0	2	Dado	Nut	Ecrou	Mutter

**Nei modelli con
Serbatoio 4,5 Lt:**

**For models with
Tank 4,5 Lt:**

**Dans les modèles avec
Reservoir 4,5 Lt:**

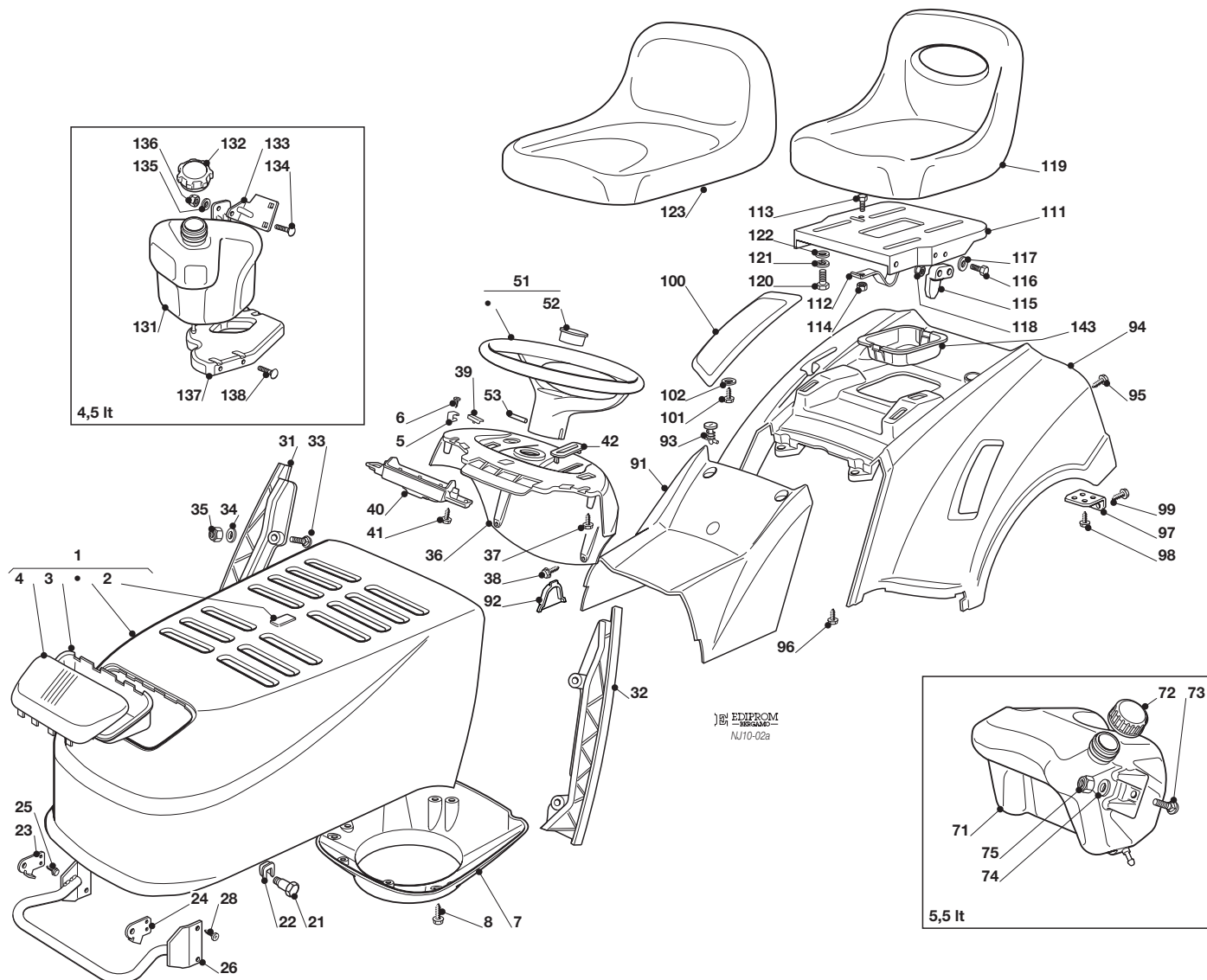
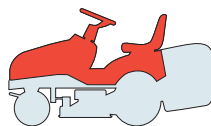
**Bei Modellen mit
Tank 4,5 Lt:**

131	325735124/0	1	Serbatoio	Tank	Reservoir	Tank
132	25795001/1	1	Tappo Serbatoio	Cap	Bouchon	Tankverschluss
133	325785291/0	1	Supporto	Support	Support	Halter
134	12789195/0	1	Vite	Screw	Vis	Schraube
135	12581500/0	1	Grower	Grower	Grower	Grower
136	12437503/0	1	Dado	Nut	Ecrou	Mutter
137	325785289/0	1	Supporto	Support	Support	Halter
138	12735403/0	4	Vite	Screw	Vis	Schraube

Per motore / For engine / Pour moteur / Für Motor:

(1) B&S 11,5-12,5-13,5 HP (2) B&S 15,5-16,5 HP (3) HONDA (4) KOHLER (5) GGP ENGINE





EDIPROM NJ10-02a

N.	CODE	Q.TY	DESCRIZIONE	DESCRIPTION	DESCRIPTION	BESCHREIBUNG
1	82076817/2	1	Cofano Rosso	Engine Hood Red	Capot Rouge	Haubesatz Rot
1	382076952/0	1	Cofano Nero	Engine Hood Black	Capot Noire	Haubesatz Schwarz
2	25547016/2	1	Piastrina Rossa	Plate Red	Plaque Rouge	Platte Rot
3	25485001/0	1	Parabola Fari	Lights Parabola	Parabole	Scheinwerferparabel
4	25410865/0	1	Mascherina	Grill	Panneau	Schutz
5	125430215/1	2	Molla Aggancio	Coupling Spring	Ressort Accrochage	Kupplungsfeder
6	12728450/0	2	Vite	Screw	Vis	Schraube
7	25108028/0	1	Convogliatore (126)	Conveyor (126)	Convoyeur (126)	Konveyor (126)
8	12728686/0	3	Vite	Screw	Vis	Schraube
21	25510039/0	2	Perno	Pin	Pivot	Bolzen
22	12436050/0	2	Piastrina	Plate	Plaque	Platte
23	325547089/1	1	Piastrina Destra	Right Plate	Plaque Droite	Rechte Platte
24	325547091/1	1	Piastrina Sinistra	Left Plate	Plaque Gauche	Linke Platte
25	12731580/0	4	Vite	Screw	Vis	Schraube
26	82869031/0	1	Protezione Silenziatore	Muffler Protection	Protection Silencieux	Auspuffschutz
28	12734995/0	4	Vite	Screw	Vis	Schraube
31	25599008/0	1	Supp. Cruscotto Destro	Right Dashboard Supp.	Support Tableau Droite	Rechter Konsolehalter
32	25599009/0	1	Supp. Cruscotto Sin.	Left Dashboard Supp.	Support Tableau Gauche	Linker Konsolehalter
33	12815221/0	4	Vite	Screw	Vis	Schraube
34	12521330/0	4	Rosetta	Washer	Rondelle	Scheibe
35	12154510/0	4	Dado	Nut	Ecrou	Mutter
36	25120189/0	1	Cruscotto	Dashboard	Tableau De Bord	Konsole
37	12728440/0	2	Vite	Screw	Vis	Schraube
38	12735402/0	2	Vite	Screw	Vis	Schraube
39	25260000/0	2	Gommino	Grommet	Protection	Schutz





N.	CODE	Q.TY	DESCRIZIONE	DESCRIPTION	DESCRIPTION	BESCHREIBUNG
40	25600074/0	1	Protezione Scheda	Card Protection	Protection De Carte	Kartenschutz
41	12735402/0	2	Vite	Screw	Vis	Schraube
42	25547181/0	1	Piastrina	Plate	Plaque	Platte
51	25961201/0	1	Volante	Steering Wheel	Volant	Lenkrad
52	25120230/0	1	Tappo	Cap	Bouchon	Stopfen
53	12620299/0	1	Spina	Pin	Goupille	Stift
91	325110363/0	1	Copertura Centrale, Rosso	Cover, Red	Couvre, Rouge	Kappe, Rot
91	325110393/0	1	Copertura Centrale, Nero	Cover, Black	Couvre, Noire	Kappe, Schwarz
92	25207172/0	1	Piastrina (Mecc.)	Plate (Mech.)	Plaque (Mec.)	Platte (Mech.)
93	125580020/2	2	Perno	Pivot	Goujon	Stift
94	25110322/0	1	Copertura Ruote, Rosso	Wheels Cover, Red	Couvre-Roues, Rouge	Radenkappe, Rot
94	325110392/0	1	Copertura Ruote, Nero	Wheels Cover, Black	Couvre-Roues, Noire	Radenkappe, Schwarz
95	12735402/0	4	Vite	Screw	Vis	Schraube
96	12735402/0	2	Vite	Screw	Vis	Schraube
97	25755041/0	2	Squadretta	Bracket	Equerre-Support	Winkel
98	12728686/0	4	Vite	Screw	Vis	Schraube
99	12735110/0	2	Vite	Screw	Vis	Schraube
100	25207171/0	1	Copertura (Hydro)	Cover (Hydro)	Couvre (Hydro)	Kappe (Hydro)
101	12735402/0	2	Vite (Hydro)	Screw (Hydro)	Vis (Hydro)	Schraube (Hydro)
102	12523050/0	4	Rosetta (Hydro)	Washer (Hydro)	Rondelle (Hydro)	Scheibe (Hydro)
111	25547033/1	1	Piastra	Plate	Plaque	Platte
112	25430223/2	1	Molla	Spring	Ressort	Feder
113	12789000/0	1	Vite	Screw	Vis	Schraube
114	12154330/0	1	Dado	Nut	Ecrou	Mutter
115	27063021/1	1	Camma	Cam	Came	Nocken
116	12789100/0	2	Vite	Screw	Vis	Schraube
117	12523020/0	2	Rosetta	Washer	Rondelle	Scheibe
118	12154330/0	2	Dado	Nut	Ecrou	Mutter
119	25722453/1	1	Sedile	Seat	Siege	Sitz
120	12793101/0	4	Vite	Screw	Vis	Schraube
121	12583500/0	4	Grower	Grower	Grower	Grower
122	12523060/0	4	Rosetta	Washer	Rondelle	Scheibe
123	125722470/0	1	Sedile	Seat	Siege	Sitz
143	325207176/0	1	Vaschetta	Basin	Cuvette	Wanne

**Nei modelli con
Serbatoio 5,5 Lt:****For models with
Tank 5,5 Lt:****Dans les modèles avec
Reservoir 5,5 Lt:****Bei Modellen mit
Tank 5,5 Lt:**

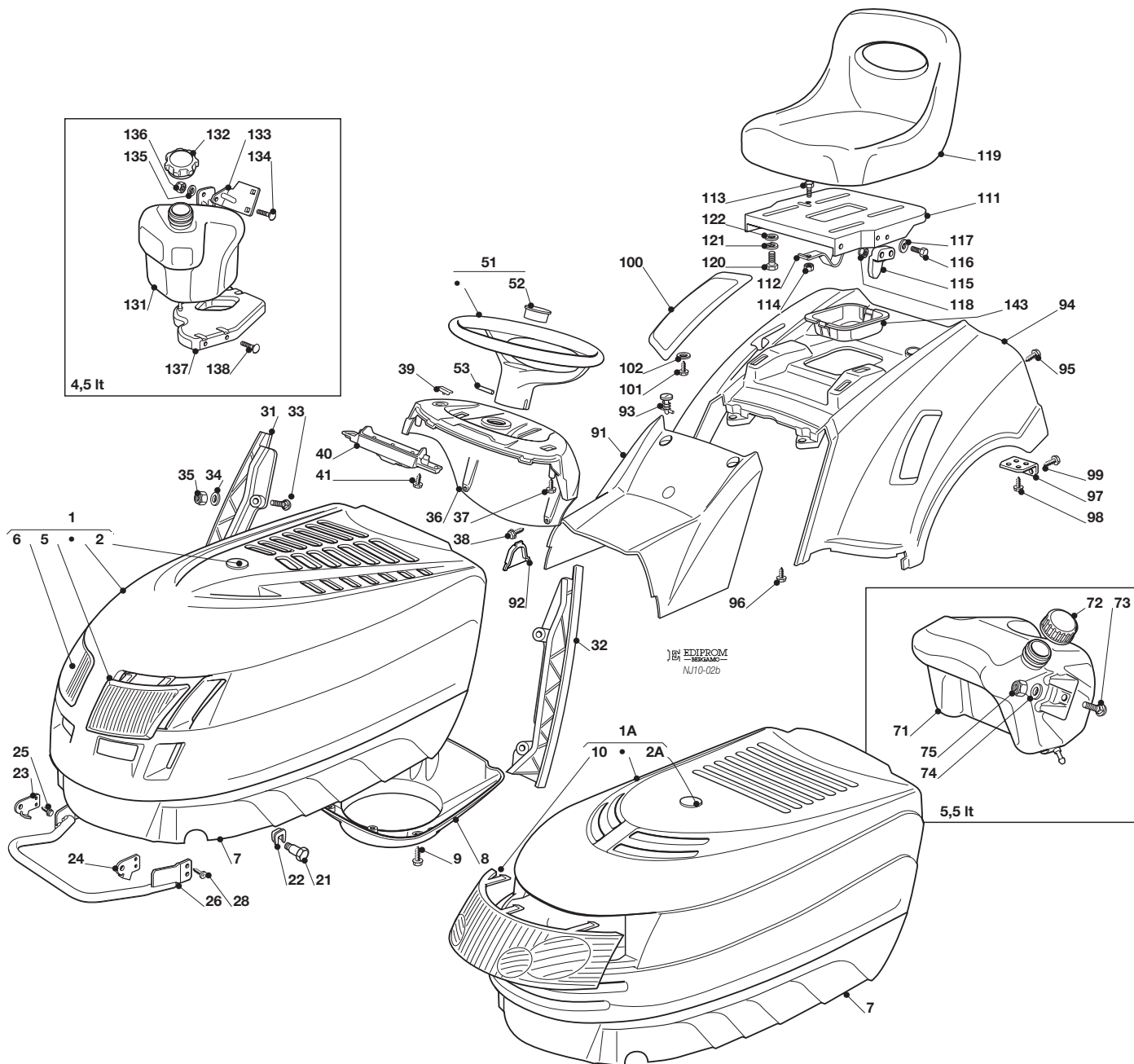
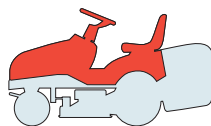
71	325735128/0	1	Serbatoio	Tank	Reservoir	Tank
72	25795001/1	1	Tappo Serbatoio	Cap	Bouchon	Tankverschluss
73	12815210/0	2	Vite	Screw	Vis	Schraube
74	325160039/0	2	Distanziale	Spacer	Entretoise	Entfernungsstück
75	12154510/0	2	Dado	Nut	Ecrou	Mutter

**Nei modelli con
Serbatoio 4,5 Lt:****For models with
Tank 4,5 Lt:****Dans les modèles avec
Reservoir 4,5 Lt:****Bei Modellen mit
Tank 4,5 Lt:**

131	325735124/0	1	Serbatoio	Tank	Reservoir	Tank
132	25795001/1	1	Tappo Serbatoio	Cap	Bouchon	Tankverschluss
133	325785291/0	1	Supporto	Support	Support	Halter
134	12789195/0	1	Vite	Screw	Vis	Schraube
135	12581500/0	1	Grower	Grower	Grower	Grower
136	12437503/0	1	Dado	Nut	Ecrou	Mutter
137	325785289/0	1	Supporto	Support	Support	Halter
138	12735403/0	4	Vite	Screw	Vis	Schraube

Per motore / For engine / Pour moteur / Für Motor:

(1) B&S 11,5-12,5-13,5 HP **(2)** B&S 15,5-16,5 HP **(3)** HONDA **(5)** KOHLER **(6)** GGP ENGINE



N.	CODE	Q.TY	DESCRIZIONE	DESCRIPTION	DESCRIPTION	BESCHREIBUNG
1	82076841/3	1	Cofano Superiore Rosso	Upper Engine Hood Red	Capot Superieure Rouge	Oberhaubesatz Rot
1A	82076943/0	1	Cofano Superiore Grigio	Upper Engine Hood Grey	Capot Superieure Gris	Oberhaubesatz Gris
2	25547025/1	1	Piastrina Rossa	Plate Red	Plaque Rouge	Platte Rot
2A	25547183/0	1	Piastrina Grigio	Plate Grey	Plaque Gris	Platte Grau
3	25510023/1	2	Perno	Pin	Pivot	Bolzen
4	12436050/0	2	Piastrina	Plate	Plaque	Platte
5	25410861/0	1	Mascherina Sinistra	Left Grill	Panneau Gauche	Linke Schutz
6	25410860/0	1	Mascherina Destra	Right Grill	Panneau Droite	Rechte Schutz
7	25076808/0	1	Cofano Inferiore	Lower Engine Hood	Capot Inferieure	Unterhaubesatz
8	25108024/0	1	Convogliatore (4)	Conveyor (4)	Convoyeur (4)	Konveyor (4)
8	25108028/0	1	Convogliatore (1256)	Conveyor (1256)	Convoyeur (1256)	Konveyor (1256)
9	12728686/0	3	Vite	Screw	Vis	Schraube
10	25410859/0	1	Mascherina	Grill	Panneau	Schutz
21	25510023/1	2	Perno	Pin	Pivot	Bolzen
22	12436050/0	2	Piastrina	Plate	Plaque	Platte
23	325547089/1	1	Piastrina Destra	Right Plate	Plaque Droite	Rechte Platte
24	325547091/1	1	Piastrina Sinistra	Left Plate	Plaque Gauche	Linke Platte
25	12731580/0	4	Vite	Screw	Vis	Schraube
26	82869033/0	1	Protezione Silenziatore	Muffler Protection	Protection Silencieux	Auspuffschutz



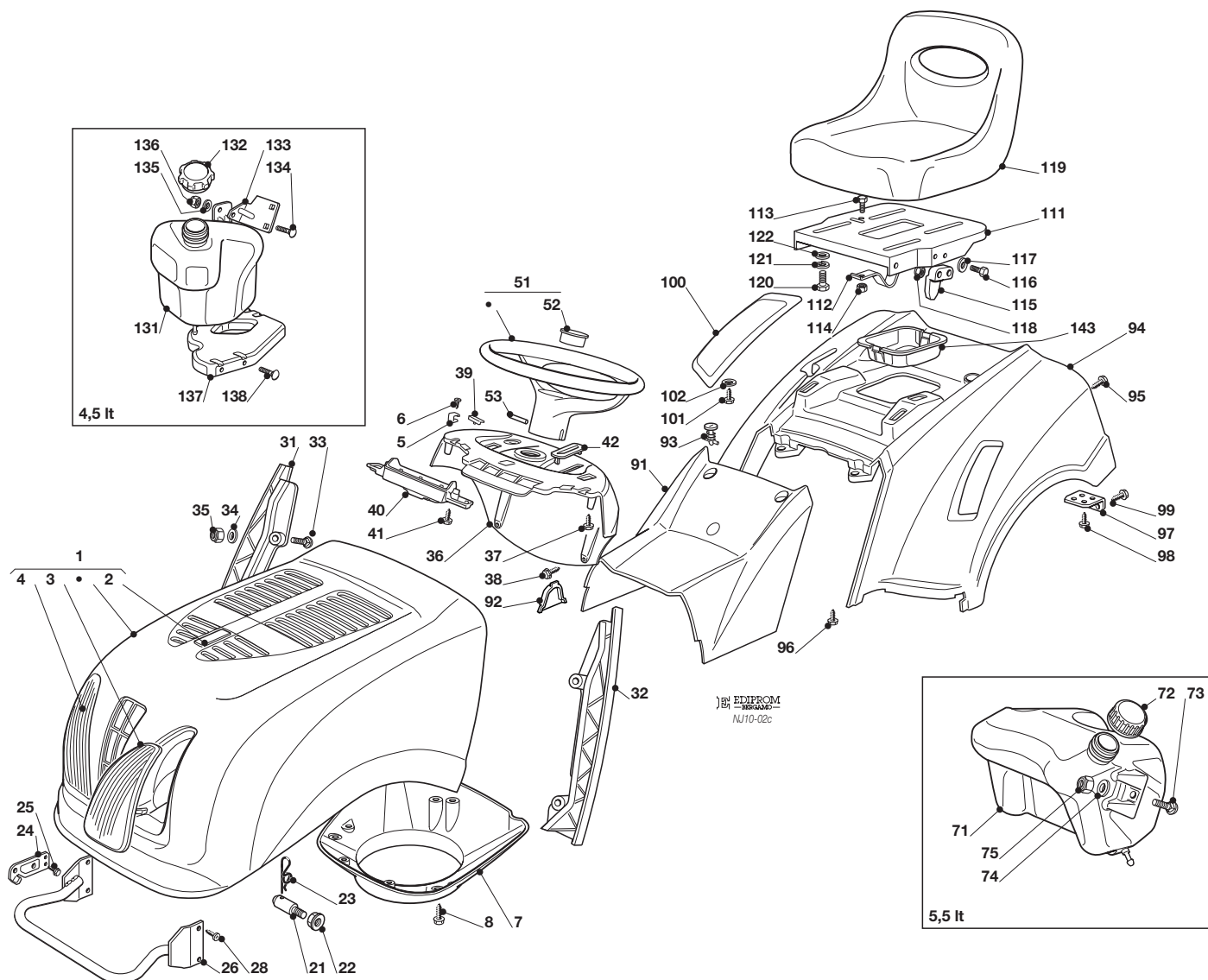
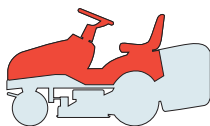


N.	CODE	Q.TY	DESCRIZIONE	DESCRIPTION	DESCRIPTION	BESCHREIBUNG
28	12734995/0	4	Vite	Screw	Vis	Schraube
31	25599012/0	1	Supp. Cruscotto Destro	Right Dashboard Supp.	Support Tableau Droite	Rechter Konsolehalter
32	25599013/0	1	Supp. Cruscotto Sin.	Left Dashboard Supp.	Support Tableau Gauche	Linker Konsolehalter
33	12815221/0	4	Vite	Screw	Vis	Schraube
34	12521330/0	4	Rosetta	Washer	Rondelle	Scheibe
35	12154510/0	4	Dado	Nut	Ecrou	Mutter
36	325120188/2	1	Cruscotto	Dashboard	Tableau De Bord	Konsole
37	12728440/0	2	Vite	Screw	Vis	Schraube
38	12735402/0	2	Vite	Screw	Vis	Schraube
39	25260000/0	2	Gommino	Grommet	Protection	Schutz
40	25600074/0	1	Protezione Scheda	Card Protection	Protection De Carte	Karteschutz
41	12735402/0	2	Vite	Screw	Vis	Schraube
51	25961201/0	1	Volante	Steering Wheel	Volant	Lenkrad
52	25120230/0	1	Tappo	Cap	Bouchon	Stopfen
53	12620299/0	1	Spina	Pin	Goupille	Stift
91	325110363/0	1	Copertura Centrale, Rosso	Cover, Red	Couvre, Rouge	Kappe, Rot
91	325110369/0	1	Copertura Centrale, Grigio	Cover, Grey	Couvre, Gris	Kappe, Grau
92	25207172/0	1	Piastrina (Mecc.)	Plate (Mech.)	Plaque (Mec.)	Platte (Mech.)
93	125580020/2	2	Perno	Pivot	Goujon	Stift
94	25110322/0	1	Copertura Ruote, Rosso	Wheels Cover, Red	Couvre-Roues, Rouge	Radenkappe, Rot
94	25110341/0	1	Copertura Ruote, Grigio	Wheels Cover, Grey	Couvre-Roues, Gris	Radenkappe, Grau
95	12735402/0	4	Vite	Screw	Vis	Schraube
96	12735402/0	2	Vite	Screw	Vis	Schraube
97	25755041/0	2	Squadretta	Bracket	Equerre-Support	Winkel
98	12728686/0	4	Vite	Screw	Vis	Schraube
99	12735110/0	2	Vite	Screw	Vis	Schraube
100	25207171/0	1	Copertura (Hydro)	Cover (Hydro)	Couvre (Hydro)	Kappe (Hydro)
101	12735402/0	2	Vite (Hydro)	Screw (Hydro)	Vis (Hydro)	Schraube (Hydro)
102	12523050/0	4	Rosetta (Hydro)	Washer (Hydro)	Rondelle (Hydro)	Scheibe (Hydro)
111	25547033/1	1	Piastra	Plate	Plaque	Platte
112	25430223/2	1	Molla	Spring	Ressort	Feder
113	12789000/0	1	Vite	Screw	Vis	Schraube
114	12154330/0	1	Dado	Nut	Ecrou	Mutter
115	27063021/1	1	Camma	Cam	Came	Nocken
116	12789100/0	2	Vite	Screw	Vis	Schraube
117	12523020/0	2	Rosetta	Washer	Rondelle	Scheibe
118	12154330/0	2	Dado	Nut	Ecrou	Mutter
119	25722453/1	1	Sedile	Seat	Siege	Sitz
120	12793101/0	4	Vite	Screw	Vis	Schraube
121	12583500/0	4	Grower	Grower	Grower	Grower
122	12523060/0	4	Rosetta	Washer	Rondelle	Scheibe
143	325207176/0	1	Vaschetta	Basin	Cuvette	Wanne
			Nei modelli con Serbatoio 5,5 Lt:	For models with Tank 5,5 Lt:	Dans les modèles avec Reservoir 5,5 Lt:	Bei Modellen mit Tank 5,5 Lt:
71	325735128/0	1	Serbatoio	Tank	Reservoir	Tank
72	25795001/1	1	Tappo Serbatoio	Cap	Bouchon	Tankverschluss
73	12815210/0	2	Vite	Screw	Vis	Schraube
74	325160039/0	2	Distanziale	Spacer	Entretoise	Entfernungsstück
75	12154510/0	2	Dado	Nut	Ecrou	Mutter
			Nei modelli con Serbatoio 4,5 Lt:	For models with Tank 4,5 Lt:	Dans les modèles avec Reservoir 4,5 Lt:	Bei Modellen mit Tank 4,5 Lt:
131	325735124/0	1	Serbatoio	Tank	Reservoir	Tank
132	25795001/1	1	Tappo Serbatoio	Cap	Bouchon	Tankverschluss
133	325785291/0	1	Supporto	Support	Support	Halter
134	12789195/0	1	Vite	Screw	Vis	Schraube
135	12581500/0	1	Grower	Grower	Grower	Grower
136	12437503/0	1	Dado	Nut	Ecrou	Mutter
137	325785289/0	1	Supporto	Support	Support	Halter
138	12735403/0	4	Vite	Screw	Vis	Schraube

Per motore / For engine / Pour moteur / Für Motor:

(1) B&S 11,5-12,5-13,5 HP (2) B&S 15,5-16,5 HP (3) HONDA (4) KOHLER (5) GGP ENGINE





N.	CODE	Q.TY	DESCRIZIONE	DESCRIPTION	DESCRIPTION	BESCHREIBUNG
1	82076917/1	1	Cofano Rosso	Engine Hood Red	Capot Rouge	Haubesatz Rot
2	25547016/2	1	Piastrina Rossa	Plate Red	Plaque Rouge	Platte Rot
3	25410869/0	1	Mascherina Sinistra	Left Grill	Panneau Gauche	Linke Schutz
4	25410868/0	1	Mascherina Destra	Right Grill	Panneau Droite	Rechte Schutz
5	125430215/1	2	Molla Aggancio	Coupling Spring	Ressort Accrochage	Kupplungsfeder
6	12728450/0	2	Vite	Screw	Vis	Schraube
7	25108024/0	1	Convogliatore (4)	Conveyor (4)	Convoyeur (4)	Konveyor (4)
7	25108028/0	1	Convogliatore (1256)	Conveyor (1256)	Convoyeur (1256)	Konveyor (1256)
8	12728686/0	3	Vite	Screw	Vis	Schraube
21	25510068/0	2	Perno	Pin	Pivot	Bolzen
22	12293201/0	2	Dado	Nut	Ecrou	Mutter
23	24487998/0	1	Coppiglia	Cotter Pin	Goupille	Splint
24	325547109/2	2	Piastrina	Plate	Plaque	Platte
25	12731580/0	4	Vite	Screw	Vis	Schraube
26	82869031/0	1	Protezione Silenziatore	Muffler Protection	Protection Silencieux	Auspuffschutz
28	12734995/0	4	Vite	Screw	Vis	Schraube
31	25599008/0	1	Supp. Cruscotto Destro	Right Dashboard Supp.	Support Tableau Droite	Rechter Konsolehalter
32	25599009/0	1	Supp. Cruscotto Sin.	Left Dashboard Supp.	Support Tableau Gauche	Linker Konsolehalter
33	12815221/0	4	Vite	Screw	Vis	Schraube
34	12521330/0	4	Rosetta	Washer	Rondelle	Scheibe
35	12154510/0	4	Dado	Nut	Ecrou	Mutter
36	25120189/0	1	Cruscotto	Dashboard	Tableau De Bord	Konsole
37	12728440/0	2	Vite	Screw	Vis	Schraube
38	12735402/0	2	Vite	Screw	Vis	Schraube
39	25260000/0	2	Gommino	Grommet	Protection	Schutz





N.	CODE	Q.TY	DESCRIZIONE	DESCRIPTION	DESCRIPTION	BESCHREIBUNG
40	25600074/0	1	Protezione Scheda	Card Protection	Protection De Carte	Kartenschutz
41	12735402/0	2	Vite	Screw	Vis	Schraube
42	25547181/0	1	Piastrina	Plate	Plaque	Platte
51	25961201/0	1	Volante	Steering Wheel	Volant	Lenkrad
52	25120230/0	1	Tappo	Cap	Bouchon	Stopfen
53	12620299/0	1	Spina	Pin	Goupille	Stift
91	325110363/0	1	Copertura Centrale, Rosso	Cover, Red	Couvre, Rouge	Kappe, Rot
92	25207172/0	1	Piastrina (Mecc.)	Plate (Mech.)	Plaque (Mec.)	Platte (Mech.)
93	125580020/2	2	Perno	Pivot	Goujon	Stift
94	25110322/0	1	Copertura Ruote, Rosso	Wheels Cover, Red	Couvre-Roues, Rouge	Radenkappe, Rot
95	12735402/0	4	Vite	Screw	Vis	Schraube
96	12735402/0	2	Vite	Screw	Vis	Schraube
97	25755041/0	2	Squadretta	Bracket	Equerre-Support	Winkel
98	12728686/0	4	Vite	Screw	Vis	Schraube
99	12735110/0	2	Vite	Screw	Vis	Schraube
100	25207171/0	1	Copertura (Hydro)	Cover (Hydro)	Couvre (Hydro)	Kappe (Hydro)
101	12735402/0	2	Vite (Hydro)	Screw (Hydro)	Vis (Hydro)	Schraube (Hydro)
102	12523050/0	4	Rosetta (Hydro)	Washer (Hydro)	Rondelle (Hydro)	Scheibe (Hydro)
111	25547033/1	1	Piastra	Plate	Plaque	Platte
112	25430223/2	1	Molla	Spring	Ressort	Feder
113	12789000/0	1	Vite	Screw	Vis	Schraube
114	12154330/0	1	Dado	Nut	Ecrou	Mutter
115	27063021/1	1	Camma	Cam	Came	Nocken
116	12789100/0	2	Vite	Screw	Vis	Schraube
117	12523020/0	2	Rosetta	Washer	Rondelle	Scheibe
118	12154330/0	2	Dado	Nut	Ecrou	Mutter
119	25722453/1	1	Sedile	Seat	Siege	Sitz
120	12793101/0	4	Vite	Screw	Vis	Schraube
121	12583500/0	4	Grower	Grower	Grower	Grower
122	12523060/0	4	Rosetta	Washer	Rondelle	Scheibe
143	325207176/0	1	Vaschetta	Basin	Cuvette	Wanne
			Nei modelli con Serbatoio 5,5 Lt:	For models with Tank 5,5 Lt:	Dans les modèles avec Reservoir 5,5 Lt:	Bei Modellen mit Tank 5,5 Lt:
71	325735128/0	1	Serbatoio	Tank	Reservoir	Tank
72	25795001/1	1	Tappo Serbatoio	Cap	Bouchon	Tankverschluss
73	12815210/0	2	Vite	Screw	Vis	Schraube
74	325160039/0	2	Distanziale	Spacer	Entretoise	Entfernungsstück
75	12154510/0	2	Dado	Nut	Ecrou	Mutter
			Nei modelli con Serbatoio 4,5 Lt:	For models with Tank 4,5 Lt:	Dans les modèles avec Reservoir 4,5 Lt:	Bei Modellen mit Tank 4,5 Lt:
131	325735124/0	1	Serbatoio	Tank	Reservoir	Tank
132	25795001/1	1	Tappo Serbatoio	Cap	Bouchon	Tankverschluss
133	325785291/0	1	Supporto	Support	Support	Halter
134	12789195/0	1	Vite	Screw	Vis	Schraube
135	12581500/0	1	Grower	Grower	Grower	Grower
136	12437503/0	1	Dado	Nut	Ecrou	Mutter
137	325785289/0	1	Supporto	Support	Support	Halter
138	12735403/0	4	Vite	Screw	Vis	Schraube

Per motore / For engine / Pour moteur / Für Motor:

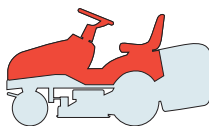
(1) B&S 11,5-12,5-13,5 HP (2) B&S 15,5-16,5 HP (3) HONDA (4) KOHLER (5) GGP ENGINE



J JR JTP JB JX JS JU

N...92

N...92 hydro

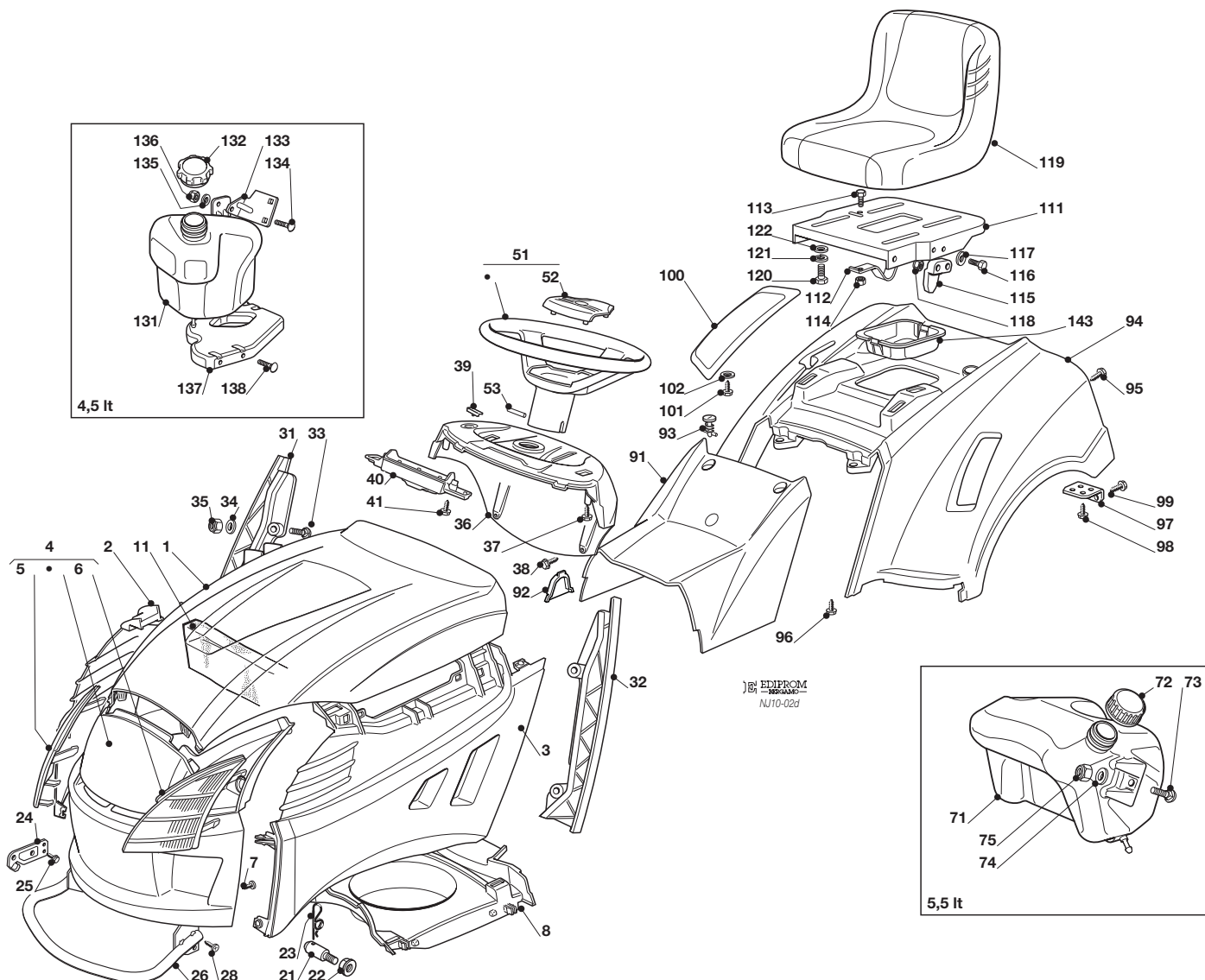


CARROZZERIA
BODY
CARROSSERIE
KARROSSERIE

2011

4002d.0

1 / 2



N.	CODE	Q.TY	DESCRIZIONE	DESCRIPTION	DESCRIPTION	BESCHREIBUNG
1	25076858/0	1	Cofano Superiore Rosso	Upper Engine Hood	Capot Superieure	Oberhaubesatz
2	325207120/1	1	Cofano Parte Dx	Hood, Right	Capot Droite	Rechte Haube
3	325207121/1	1	Cofano Parte Sx	Hood, Left	Capot Gauche	Linke Haube
4	82394607/0	1	Cofano Frontale	Hood, Front	Capot Avant	Vorde Haube
5	25410874/0	1	Mascherina Destra	Right Grill	Panneau Droite	Rechter Schutz
6	25410875/0	1	Mascherina Sinistra	Left Grill	Panneau Gauche	Linker Schutz
7	12735405/0	6	Vite	Screw	Vis	Schraube
8	25108025/0	1	Convogliatore (124)	Conveyor (124)	Convoyeur (124)	Konveyor (124)
11	25730016/0	1	Separatore Aspiraz. (4)	Intake Separator (4)	Separateur Aspirat. (4)	Augenabscheider (4)
11	125730018/0	1	Separatore Aspiraz. (6)	Intake Separator (6)	Separateur Aspirat. (6)	Augenabscheider (6)
21	25510068/0	2	Perno	Pin	Pivot	Bolzen
22	12293201/0	2	Dado	Nut	Ecrou	Mutter
23	24487998/0	1	Coppiglia	Cotter Pin	Goupille	Splint
24	325547109/2	2	Piastrina	Plate	Plaque	Platte
25	12731580/0	4	Vite	Screw	Vis	Schraube
26	382869029/1	1	Protezione Silenziatore	Muffler Protection	Protection Silencieux	Auspuffschutz
28	12734995/0	4	Vite	Screw	Vis	Schraube
31	25599012/0	1	Supp. Cruscotto Destro	Right Dashboard Supp.	Support Tableau Droite	Rechter Konsolehalter
32	25599013/0	1	Supp. Cruscotto Sin.	Left Dashboard Supp.	Support Tableau Gauche	Linker Konsolehalter
33	12815221/0	4	Vite	Screw	Vis	Schraube
34	12521330/0	4	Rosetta	Washer	Rondelle	Scheibe
35	12154510/0	4	Dado	Nut	Ecrou	Mutter
36	325120188/2	1	Cruscotto, Nero	Dashboard	Tableau De Bord	Konsole
36	325120191/2	1	Cruscotto, Rosso	Dashboard	Tableau De Bord	Konsole
37	12728440/0	2	Vite	Screw	Vis	Schraube





N.	CODE	Q.TY	DESCRIZIONE	DESCRIPTION	DESCRIPTION	BESCHREIBUNG
38	12735402/0	2	Vite	Screw	Vis	Schraube
39	25260000/0	2	Gommino	Grommet	Protection	Schutz
40	25600074/0	1	Protezione Scheda	Card Protection	Protection De Carte	Karteschutz
41	12735402/0	2	Vite	Screw	Vis	Schraube
51	25961212/0	1	Volante	Steering Wheel	Volant	Lenkrad
52	325580500/0	1	Tappo	Cap	Bouchon	Stopfen
53	12620299/0	1	Spina	Pin	Goupille	Stift
91	325110363/0	1	Copertura Centrale, Rosso	Cover, Red	Couvre, Rouge	Kappe, Rot
92	25207172/0	1	Piastrina (Mecc.)	Plate (Mech.)	Plaque (Mec.)	Platte (Mech.)
93	125580020/2	2	Perno	Pivot	Goujon	Stift
94	25110322/0	1	Copertura Ruote, Rosso	Wheels Cover, Red	Couvre-Roues, Rouge	Radenkappe, Rot
95	12735402/0	4	Vite	Screw	Vis	Schraube
96	12735402/0	2	Vite	Screw	Vis	Schraube
97	25755041/0	2	Squadretta	Bracket	Equerre-Support	Winkel
98	12728686/0	4	Vite	Screw	Vis	Schraube
99	12735110/0	2	Vite	Screw	Vis	Schraube
100	25207171/0	1	Copertura (Hydro)	Cover (Hydro)	Couvre (Hydro)	Kappe (Hydro)
101	12735402/0	2	Vite (Hydro)	Screw (Hydro)	Vis (Hydro)	Schraube (Hydro)
102	12523050/0	4	Rosetta (Hydro)	Washer (Hydro)	Rondelle (Hydro)	Scheibe (Hydro)
111	25547033/1	1	Piastra	Plate	Plaque	Platte
112	25430223/2	1	Molla	Spring	Ressort	Feder
113	12789000/0	1	Vite	Screw	Vis	Schraube
114	12154330/0	1	Dado	Nut	Ecrou	Mutter
115	27063021/1	1	Camma	Cam	Came	Nocken
116	12789100/0	2	Vite	Screw	Vis	Schraube
117	12523020/0	2	Rosetta	Washer	Rondelle	Scheibe
118	12154330/0	2	Dado	Nut	Ecrou	Mutter
119	25722463/0	1	Sedile	Seat	Siege	Sitz
120	12793101/0	4	Vite	Screw	Vis	Schraube
121	12583500/0	4	Grower	Grower	Grower	Grower
122	12523060/0	4	Rosetta	Washer	Rondelle	Scheibe
143	325207176/0	1	Vaschetta	Basin	Cuvette	Wanne

**Nei modelli con
Serbatoio 5,5 Lt:**

**For models with
Tank 5,5 Lt:**

**Dans les modèles avec
Reservoir 5,5 Lt:**

**Bei Modellen mit
Tank 5,5 Lt:**

71	325735128/0	1	Serbatoio	Tank	Reservoir	Tank
72	25795001/1	1	Tappo Serbatoio	Cap	Bouchon	Tankverschluss
73	12815210/0	2	Vite	Screw	Vis	Schraube
74	325160039/0	2	Distanziale	Spacer	Entretoise	Entfernungsstück
75	12154510/0	2	Dado	Nut	Ecrou	Mutter

**Nei modelli con
Serbatoio 4,5 Lt:**

**For models with
Tank 4,5 Lt:**

**Dans les modèles avec
Reservoir 4,5 Lt:**

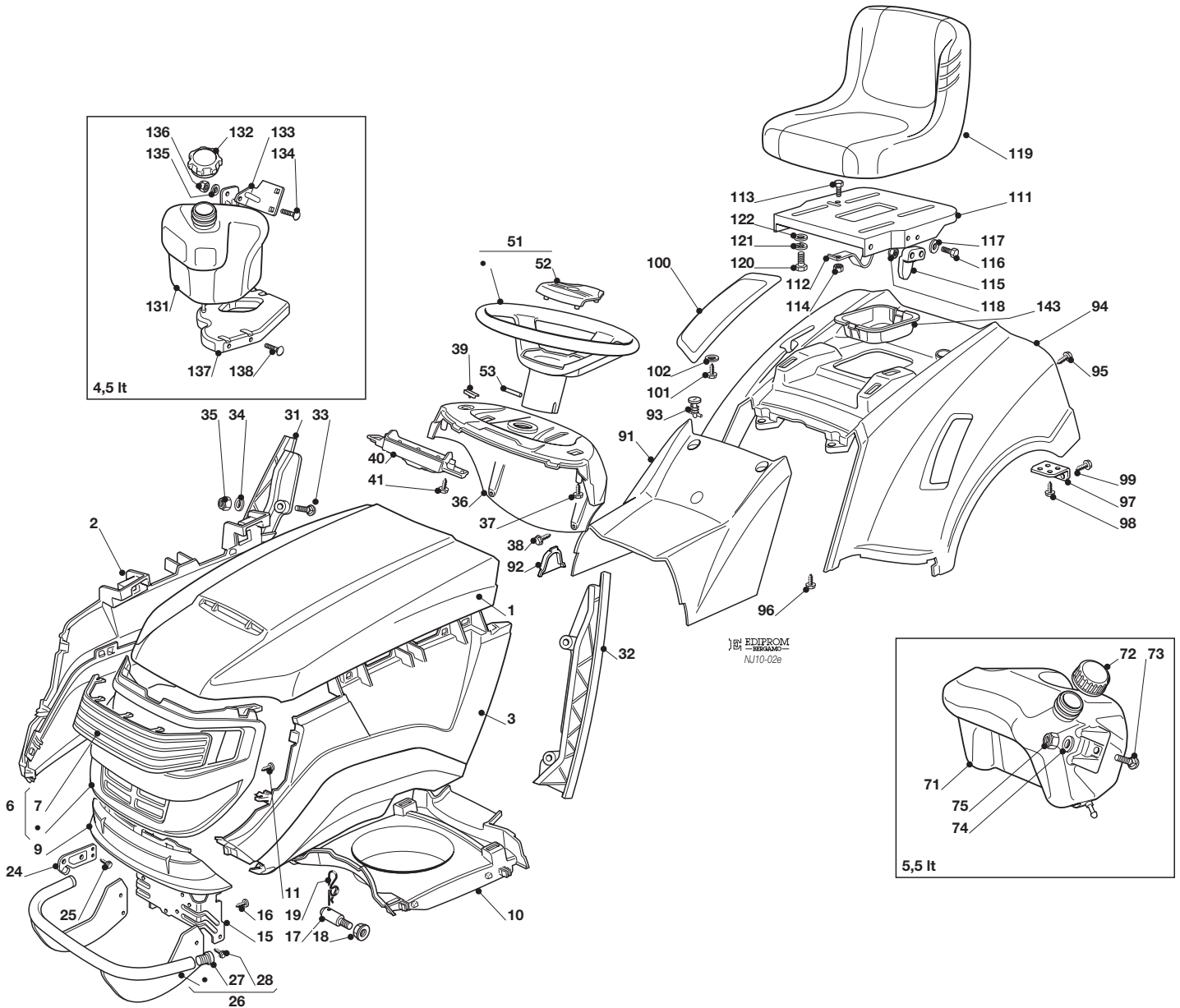
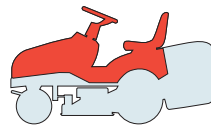
**Bei Modellen mit
Tank 4,5 Lt:**

131	325735124/0	1	Serbatoio	Tank	Reservoir	Tank
132	25795001/1	1	Tappo Serbatoio	Cap	Bouchon	Tankverschluss
133	325785291/0	1	Supporto	Support	Support	Halter
134	12789195/0	1	Vite	Screw	Vis	Schraube
135	12581500/0	1	Grower	Grower	Grower	Grower
136	12437503/0	1	Dado	Nut	Ecrou	Mutter
137	325785289/0	1	Supporto	Support	Support	Halter
138	12735403/0	4	Vite	Screw	Vis	Schraube

Per motore / For engine / Pour moteur / Für Motor:

(1) B&S 11,5-12,5-13,5 HP (2) B&S 15,5-16,5 HP (3) HONDA (5) KOHLER (6) GGP ENGINE





N.	CODE	Q.TY	DESCRIZIONE	DESCRIPTION	DESCRIPTION	BESCHREIBUNG
1	25076871/0	1	Cofano Superiore Rosso	Upper Engine Hood, Red	Capot Rouge	Haubesatz Rot
2	382394620/0	1	Cofano Dx	Hood, Right	Capot Droite	Rechte Haube
3	382394621/0	1	Cofano Sx	Hood, Left	Capot Gauche	Linke Haube
6	82394618/0	1	Cofano Frontale - Grigio	Hood, Front	Capot Avant	Vorde Haube
7	25410878/0	1	Mascherina	Grill	Panneau	Schutz
9	25076877/0	1	Cofano Frontale Inf. - Rosso	Lower Hood, Front	Capot Avant	Vorde Haube
10	25108031/0	1	Convogliatore	Conveyor	Convoyeur	Konveyor
11	12735403/0	6	Vite	Screw	Vis	Schraube
15	25774301/1	1	Supporto Cofano	Engine Hood Support	Support Capot	
16	12735403/0	5	Vite	Screw	Vis	Schraube
17	125510079/1	2	Perno	Pin	Pivot	Augenabscheider
18	12293201/0	2	Dado	Nut	Ecrou	Bolzen
19	24487998/0	2	Coppiglia	Cotter Pin	Goupille	Splint
24	325547159/1	2	Piastrina	Plate	Plaque	Platte
25	12731580/0	4	Vite	Screw	Vis	Schraube
26	82869027/0	1	Protezione Silenziatore	Muffler Protection	Protection Silencieux	Auspuffschutz
27	18737860/0	2	Puntale	Cap	Bouchon	Pfropfen
28	12734995/0	4	Vite	Screw	Vis	Schraube
31	25599012/0	1	Supp. Cruscotto Destro	Right Dashboard Supp.	Support Tableau Droite	Rechter Konsolehalter
32	25599013/0	1	Supp. Cruscotto Sin.	Left Dashboard Supp.	Support Tableau Gauche	Linker Konsolehalter
33	12815221/0	4	Vite	Screw	Vis	Schraube





N.	CODE	Q.TY	DESCRIZIONE	DESCRIPTION	DESCRIPTION	BESCHREIBUNG
34	12521330/0	4	Rosetta	Washer	Rondelle	Scheibe
35	12154510/0	4	Dado	Nut	Ecrou	Mutter
36	325120188/2	1	Cruscotto	Dashboard	Tableau De Bord	Konsole
37	12728440/0	2	Vite	Screw	Vis	Schraube
38	12735402/0	2	Vite	Screw	Vis	Schraube
39	25260000/0	2	Gommino	Grommet	Protection	Schutz
40	25600074/0	1	Protezione Scheda	Card Protection	Protection De Carte	Karteschutz
41	12735402/0	2	Vite	Screw	Vis	Schraube
51	25961212/0	1	Volante	Steering Wheel	Volant	Lenkrad
52	325580500/0	1	Tappo	Cap	Bouchon	Stopfen
53	12620299/0	1	Spina	Pin	Goupille	Stift
91	325110363/0	1	Copertura Centrale, Rosso	Cover, Red	Couvre, Rouge	Kappe, Rot
92	25207172/0	1	Piastrina (Mecc.)	Plate (Mech.)	Plaque (Mec.)	Platte (Mech.)
93	125580020/2	2	Perno	Pivot	Goujon	Stift
94	25110322/0	1	Copertura Ruote, Rosso	Wheels Cover, Red	Couvre-Roues, Rouge	Radenkappe, Rot
95	12735402/0	4	Vite	Screw	Vis	Schraube
96	12735402/0	2	Vite	Screw	Vis	Schraube
97	25755041/0	2	Squadretta	Bracket	Equerre-Support	Winkel
98	12728686/0	4	Vite	Screw	Vis	Schraube
99	12735110/0	2	Vite	Screw	Vis	Schraube
100	25207171/0	1	Copertura (Hydro)	Cover (Hydro)	Couvre (Hydro)	Kappe (Hydro)
101	12735402/0	2	Vite (Hydro)	Screw (Hydro)	Vis (Hydro)	Schraube (Hydro)
102	12523050/0	4	Rosetta (Hydro)	Washer (Hydro)	Rondelle (Hydro)	Scheibe (Hydro)
111	25547033/1	1	Piastra	Plate	Plaque	Platte
112	25430223/2	1	Molla	Spring	Ressort	Feder
113	12789000/0	1	Vite	Screw	Vis	Schraube
114	12154330/0	1	Dado	Nut	Ecrou	Mutter
115	27063021/1	1	Camma	Cam	Came	Nocken
116	12789100/0	2	Vite	Screw	Vis	Schraube
117	12523020/0	2	Rosetta	Washer	Rondelle	Scheibe
118	12154330/0	2	Dado	Nut	Ecrou	Mutter
119	25722463/0	1	Sedile	Seat	Siege	Sitz
120	12793101/0	4	Vite	Screw	Vis	Schraube
121	12583500/0	4	Grower	Grower	Grower	Grower
122	12523060/0	4	Rosetta	Washer	Rondelle	Scheibe
143	325207176/0	1	Vaschetta	Basin	Cuvette	Wanne
			Nei modelli con Serbatoio 5,5 Lt:	For models with Tank 5,5 Lt:	Dans les modèles avec Reservoir 5,5 Lt:	Bei Modellen mit Tank 5,5 Lt:
71	325735128/0	1	Serbatoio	Tank	Reservoir	Tank
72	25795001/1	1	Tappo Serbatoio	Cap	Bouchon	Tankverschluss
73	12815210/0	2	Vite	Screw	Vis	Schraube
74	325160039/0	2	Distanziale	Spacer	Entretoise	Entfernungsstück
75	12154510/0	2	Dado	Nut	Ecrou	Mutter
			Nei modelli con Serbatoio 4,5 Lt:	For models with Tank 4,5 Lt:	Dans les modèles avec Reservoir 4,5 Lt:	Bei Modellen mit Tank 4,5 Lt:
131	325735124/0	1	Serbatoio	Tank	Reservoir	Tank
132	25795001/1	1	Tappo Serbatoio	Cap	Bouchon	Tankverschluss
133	325785291/0	1	Supporto	Support	Support	Halter
134	12789195/0	1	Vite	Screw	Vis	Schraube
135	12581500/0	1	Grower	Grower	Grower	Grower
136	12437503/0	1	Dado	Nut	Ecrou	Mutter
137	325785289/0	1	Supporto	Support	Support	Halter
138	12735403/0	4	Vite	Screw	Vis	Schraube

Per motore / For engine / Pour moteur / Für Motor:

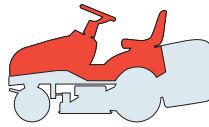
(1) B&S 11,5-12,5-13,5 HP (2) B&S 15,5-16,5 HP (3) HONDA (4) KOHLER (5) GGP ENGINE



J JR JTP JB JX JS JU

N...92

N...92 hydro

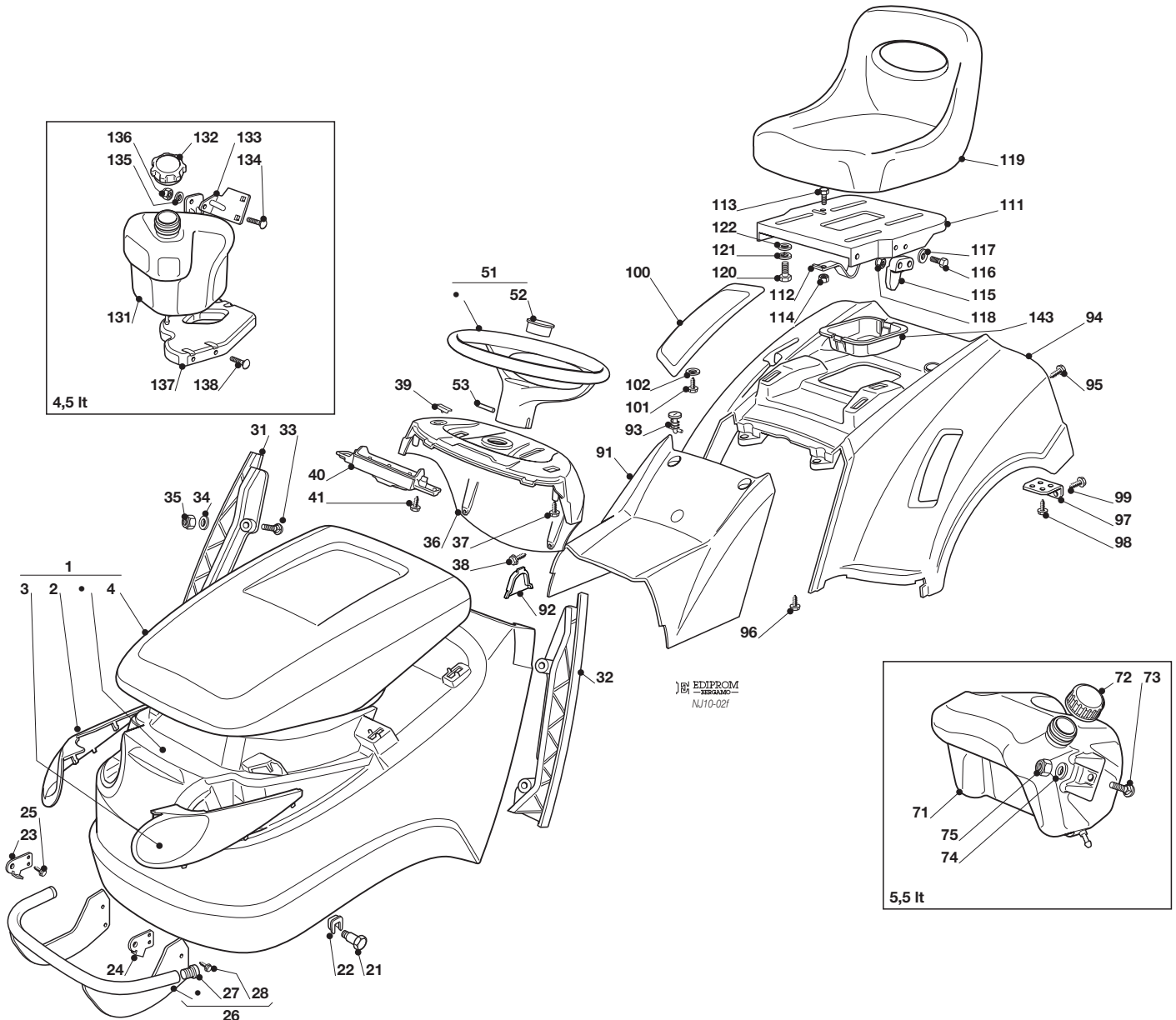


CARROZZERIA
BODY
CARROSSERIE
KARROSSERIE

2011

4002f.0

1 / 2



EDIPROM
NJ110-02f

N.	CODE	Q.TY	DESCRIZIONE	DESCRIPTION	DESCRIPTION	BESCHREIBUNG
1	382076956/0	1	Cofano	Engine Hood	Capot	Haubesatz
2	325410891/0	1	Mascherina Destra	Right Grill	Panneau Droite	Rechter Schutz
3	325410892/0	1	Mascherina Sinistra	Left Grill	Panneau Gauche	Linker Schutz
4	325076901/0	1	Cofano Superiore Rosso	Upper Engine Hood, Red	Capot Rouge	Haubesatz Rot
21	25510023/1	2	Perno	Pin	Pivot	Bolzen
22	12436050/0	2	Piastrina	Plate	Plaque	Platte
23	325547089/1	1	Piastrina Destra	Right Plate	Plaque Droite	Rechte Platte
24	325547091/1	1	Piastrina Sinistra	Left Plate	Plaque Gauche	Linke Platte
25	12731580/0	4	Vite	Screw	Vis	Schraube
26	82869027/0	1	Protezione Silenziatore	Muffler Protection	Protection Silencieux	Auspuffschutz
27	18737860/0	2	Puntale	Cap	Bouchon	Pfropfen
28	12734995/0	4	Vite	Screw	Vis	Schraube
31	25599012/0	1	Supp. Cruscotto Destro	Right Dashboard Supp.	Support Tableau Droite	Rechter Konsolehalter
32	25599013/0	1	Supp. Cruscotto Sin.	Left Dashboard Supp.	Support Tableau Gauche	Linker Konsolehalter
33	12815221/0	4	Vite	Screw	Vis	Schraube
34	12521330/0	4	Rosetta	Washer	Rondelle	Scheibe
35	12154510/0	4	Dado	Nut	Ecrou	Mutter
36	325120188/2	1	Cruscotto	Dashboard	Tableau De Bord	Konsole
37	12728440/0	2	Vite	Screw	Vis	Schraube
38	12735402/0	2	Vite	Screw	Vis	Schraube
39	25260000/0	2	Gommino	Grommet	Protection	Schutz





N.	CODE	Q.TY	DESCRIZIONE	DESCRIPTION	DESCRIPTION	BESCHREIBUNG
40	25600074/0	1	Protezione Scheda	Card Protection	Protection De Carte	Kartenschutz
41	12735402/0	2	Vite	Screw	Vis	Schraube
51	25961201/0	1	Volante	Steering Wheel	Volant	Lenkrad
52	25120230/0	1	Tappo	Cap	Bouchon	Stopfen
53	12620299/0	1	Spina	Pin	Goupille	Stift
91	325110363/0	1	Copertura Centrale, Rosso	Cover, Red	Couvre, Rouge	Kappe, Rot
92	25207172/0	1	Piastrina (Mecc.)	Plate (Mech.)	Plaque (Mec.)	Platte (Mech.)
93	125580020/2	2	Perno	Pivot	Goujon	Stift
94	25110322/0	1	Copertura Ruote, Rosso	Wheels Cover, Red	Couvre-Roues, Rouge	Radenkappe, Rot
94	25110341/0	1	Copertura Ruote, Grigio	Wheels Cover, Grey	Couvre-Roues, Gris	Radenkappe, Grau
95	12735402/0	4	Vite	Screw	Vis	Schraube
96	12735402/0	2	Vite	Screw	Vis	Schraube
97	25755041/0	2	Squadretta	Bracket	Equerre-Support	Winkel
98	12728686/0	4	Vite	Screw	Vis	Schraube
99	12735110/0	2	Vite	Screw	Vis	Schraube
100	25207171/0	1	Copertura (Hydro)	Cover (Hydro)	Couvre (Hydro)	Kappe (Hydro)
101	12735402/0	2	Vite (Hydro)	Screw (Hydro)	Vis (Hydro)	Schraube (Hydro)
102	12523050/0	4	Rosetta (Hydro)	Washer (Hydro)	Rondelle (Hydro)	Scheibe (Hydro)
111	25547033/1	1	Piastra	Plate	Plaque	Platte
112	25430223/2	1	Molla	Spring	Ressort	Feder
113	12789000/0	1	Vite	Screw	Vis	Schraube
114	12154330/0	1	Dado	Nut	Ecrou	Mutter
115	27063021/1	1	Camma	Cam	Came	Nocken
116	12789100/0	2	Vite	Screw	Vis	Schraube
117	12523020/0	2	Rosetta	Washer	Rondelle	Scheibe
118	12154330/0	2	Dado	Nut	Ecrou	Mutter
119	25722453/1	1	Sedile	Seat	Siege	Sitz
120	12793101/0	4	Vite	Screw	Vis	Schraube
121	12583500/0	4	Grower	Grower	Grower	Grower
122	12523060/0	4	Rosetta	Washer	Rondelle	Scheibe
143	325207176/0	1	Vaschetta	Basin	Cuvette	Wanne

**Nei modelli con
Serbatoio 5,5 Lt:**

**For models with
Tank 5,5 Lt:**

**Dans les modèles avec
Reservoir 5,5 Lt:**

**Bei Modellen mit
Tank 5,5 Lt:**

71	325735128/0	1	Serbatoio	Tank	Reservoir	Tank
72	25795001/1	1	Tappo Serbatoio	Cap	Bouchon	Tankverschluss
73	12815210/0	2	Vite	Screw	Vis	Schraube
74	325160039/0	2	Distanziale	Spacer	Entretoise	Entfernungsstück
75	12154510/0	2	Dado	Nut	Ecrou	Mutter

**Nei modelli con
Serbatoio 4,5 Lt:**

**For models with
Tank 4,5 Lt:**

**Dans les modèles avec
Reservoir 4,5 Lt:**

**Bei Modellen mit
Tank 4,5 Lt:**

131	325735124/0	1	Serbatoio	Tank	Reservoir	Tank
132	25795001/1	1	Tappo Serbatoio	Cap	Bouchon	Tankverschluss
133	325785291/0	1	Supporto	Support	Support	Halter
134	12789195/0	1	Vite	Screw	Vis	Schraube
135	12581500/0	1	Grower	Grower	Grower	Grower
136	12437503/0	1	Dado	Nut	Ecrou	Mutter
137	325785289/0	1	Supporto	Support	Support	Halter
138	12735403/0	4	Vite	Screw	Vis	Schraube

Per motore / For engine / Pour moteur / Für Motor:

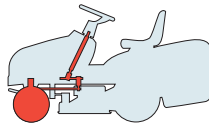
(1) B&S 11,5-12,5-13,5 HP (2) B&S 15,5-16,5 HP (3) HONDA (4) KOHLER (5) GGP ENGINE



J JR JTP JB JX JS JU

N...92

N...92 hydro

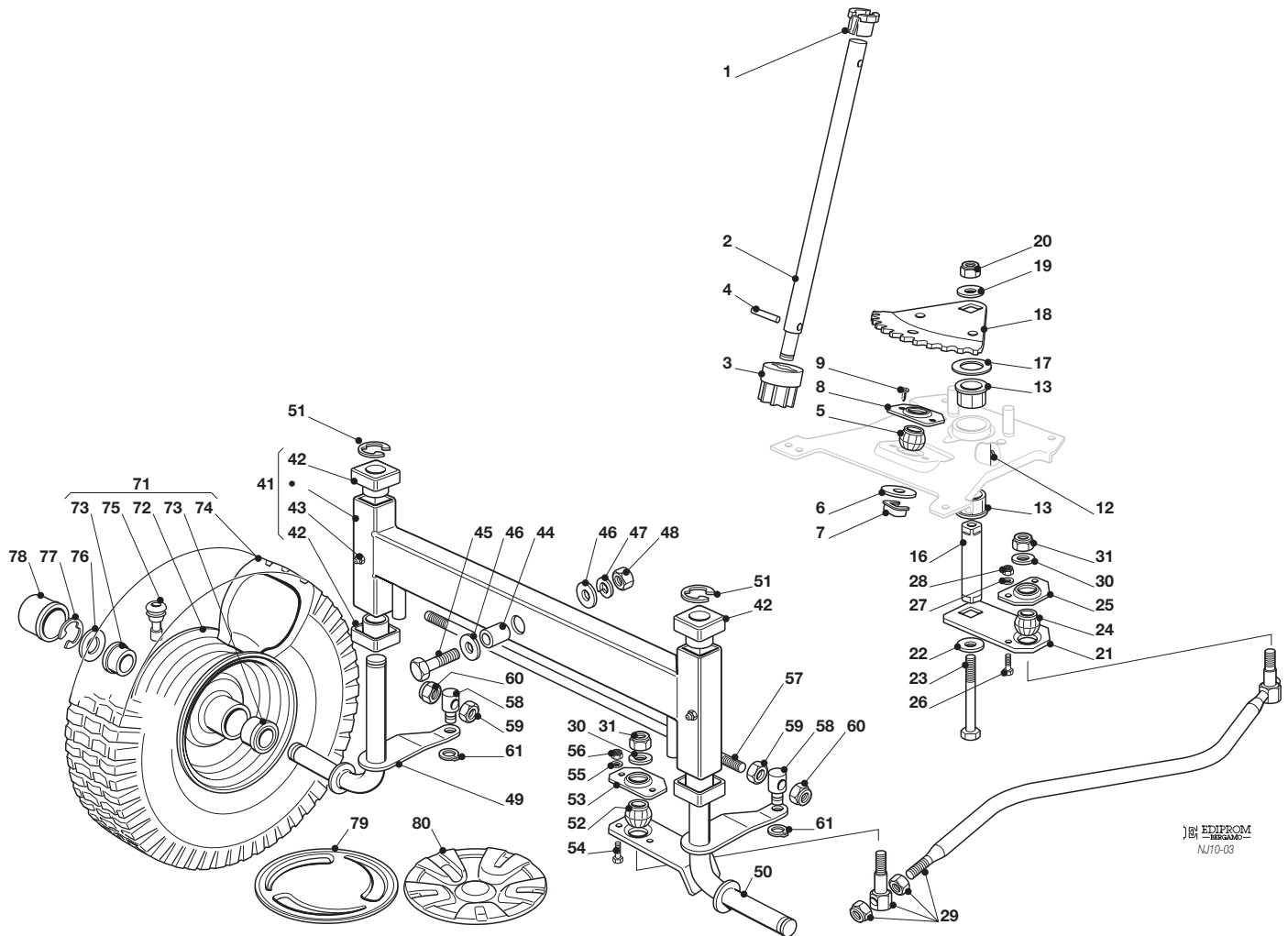


STERZO (Pneumatici 13")
STEERING (Tires 13")
BARRE DE DIRECTION (Pneus 13")
LENKGETRIEBE (Reifen 13")

2011

4003.0

1 / 2



EDIPROM
 -SERVIZIO-
 NJ110-03

N.	CODE	Q.TY	DESCRIZIONE	DESCRIPTION	DESCRIPTION	BESCHREIBUNG
1	25038004/0	1	Boccola	Bush	Douille	Büchse
2	125520006/1	1	Piantone	Steering Column	Tube De Direction	Lenkungsaeule
3	27570050/0	1	Pignone	Pinion	Pignon	Ritzel
4	12622650/0	1	Spina	Pin	Goupille	Stift
5	25743000/0	1	Snodo	Joint	Joint	Gelenk
6	12521370/0	1	Rosetta	Washer	Rondelle	Scheibe
7	12436030/0	1	Piastrina	Plate	Plaqueette	Plattechen
8	325785213/1	1	Supporto	Support	Support	Halter
9	12729601/1	2	Vite	Screw	Vis	Schraube
12	12379511/0	1	Ingrassatore	Grease Dispenser	Graisneur	Fettbüchse
13	25040624/0	2	Bussola	Bush	Douille	Büchse
16	25510092/0	1	Perno	Pin	Pivot	Bolzen
17	25670019/0	1	Rosetta	Washer	Rondelle	Scheibe
18	25735513/0	1	Settore	Steering Shaft	Arbre Direction	Lenkungswelle
19	12523080/0	1	Rosetta	Washer	Rondelle	Scheibe
20	12155020/0	1	Dado	Nut	Ecrou	Mutter
21	25318205/0	1	Leva	Lever	Levier	Hebel
22	12523080/0	1	Rosetta	Washer	Rondelle	Scheibe
23	12794985/0	1	Vite	Screw	Vis	Schraube
24	25743000/0	1	Snodo	Joint	Joint	Gelenk
25	325785213/1	1	Supporto	Support	Support	Halter
26	12791213/1	2	Vite	Screw	Vis	Schraube
27	12521330/0	2	Rosetta	Washer	Rondelle	Scheibe
28	12154510/0	2	Dado	Nut	Ecrou	Mutter
29	382000538/1	1	Asta Com. Sterzo	Steering Rod	Levier Barre De Direction	Lenkungsstab
30	12523070/0	2	Rosetta	Washer	Rondelle	Scheibe
31	12155010/0	2	Dado	Nut	Ecrou	Mutter
41	382034021/1	1	Bilanciere Con Boccola Ed Ingrassatore	Equalizer With Bush And Lubricator	Balancier Avec Douille Et Graisseur	Kipphebel Mit Büchse Und Fettbüchse
42	25040622/0	4	Boccola	Bush	Douille	Büchse





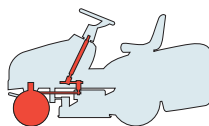
N.	CODE	Q.TY	DESCRIZIONE	DESCRIPTION	DESCRIPTION	BESCHREIBUNG
43	12379511/0	2	Ingrassatore	Grease Dispenser	Graisneur	Fettbüchse
44	25160016/0	1	Distanziale	Spacer	Entretoise	Entfernungsstück
45	12692695/0	1	Vite	Screw	Vis	Schraube
46	12523100/0	2	Rosetta	Washer	Rondelle	Scheibe
47	12587100/0	1	Grower	Grower	Grower	Grower
48	12295300/0	1	Dado	Nut	Ecrou	Mutter
49	82230363/0	1	Fusello Destro	Right Stub Axle	Fuseau Droite	Rechter Achsschenkel
50	82230365/0	1	Fusello Sinistro	Left Stub Axle	Fuseau Gauche	Linker Achsschenkel
51	12001000/0	2	Anello Elastico	Snap Ring	Anneau Ressort	Sprengring
52	25743000/0	1	Snodo	Joint	Joint	Gelenk
53	325785213/1	1	Supporto	Support	Support	Halter
54	12791213/1	2	Vite	Screw	Vis	Schraube
55	12521330/0	2	Rosetta	Washer	Rondelle	Scheibe
56	12154510/0	2	Dado	Nut	Ecrou	Mutter
57	25840022/0	1	Tirante Colleg. Fuselli	Tie Rod	Tirant	Spannstange
58	25510096/0	2	Perno	Pin	Pivot	Bolzen
59	12295200/0	2	Dado	Nut	Ecrou	Mutter
60	12156602/0	2	Dado	Nut	Ecrou	Mutter
61	12000956/0	2	Anello Elastico	Snap Ring	Anneau Ressort	Sprengring
71	82680005/1	2	Ruota Anteriore	Front Wheel	Roue Avant	Vorderrad
72	82000590/1	2	Cerchio Ruota	Rimm	Bandage Roue	Vorderrad Felger
73	25122200/2	4	Cuscinetto	Bearing	Roulement	Lager
74	25590002/0	2	Pneumatico	Tire	Pneu	Reifen
75	25950000/0	2	Valvola	Valve	Soupape	Ventil
76	25670005/1	2	Rosetta	Washer	Rondelle	Scheibe
77	12001000/0	2	Anello Elastico	Snap Ring	Anneau Ressort	Sprengring
78	22110230/0	2	Coprimozzo	Hub Cover	Couvre Moyeu	Nabedeckel
79	82110252/0	2	Coprimozzo	Hub Cover	Couvre Moyeu	Nabedeckel
80	82110274/0	2	Coprimozzo	Hub Cover	Couvre Moyeu	Nabedeckel



J JR JTP JB JX JS JU

N...92

N...92 hydro

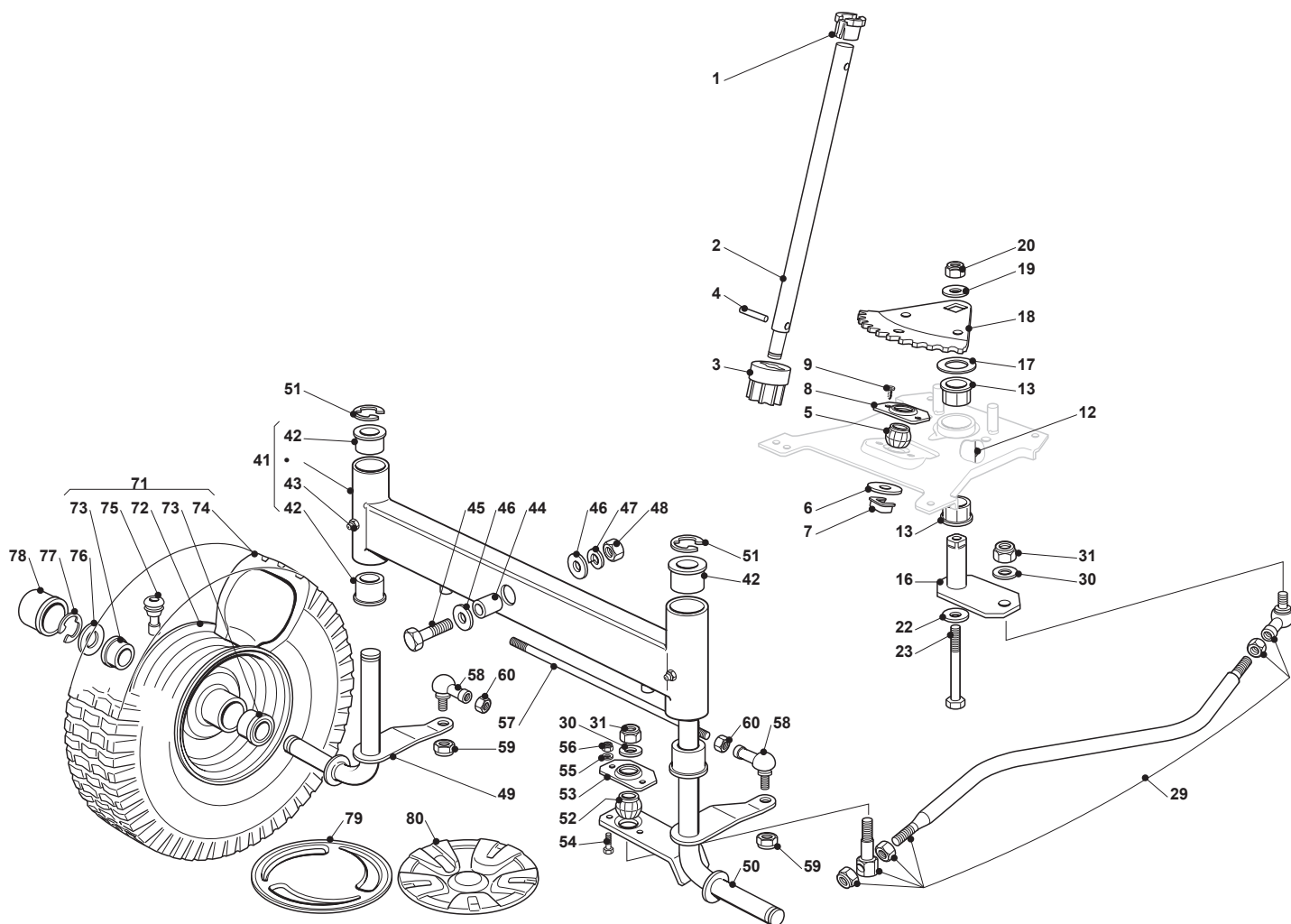


STERZO (Pneumatici 15")
STEERING (Tires 15")
BARRE DE DIRECTION (Pneus 15")
LENKGETRIEBE (Reifen 15")

2011

4003a.0

1 / 2



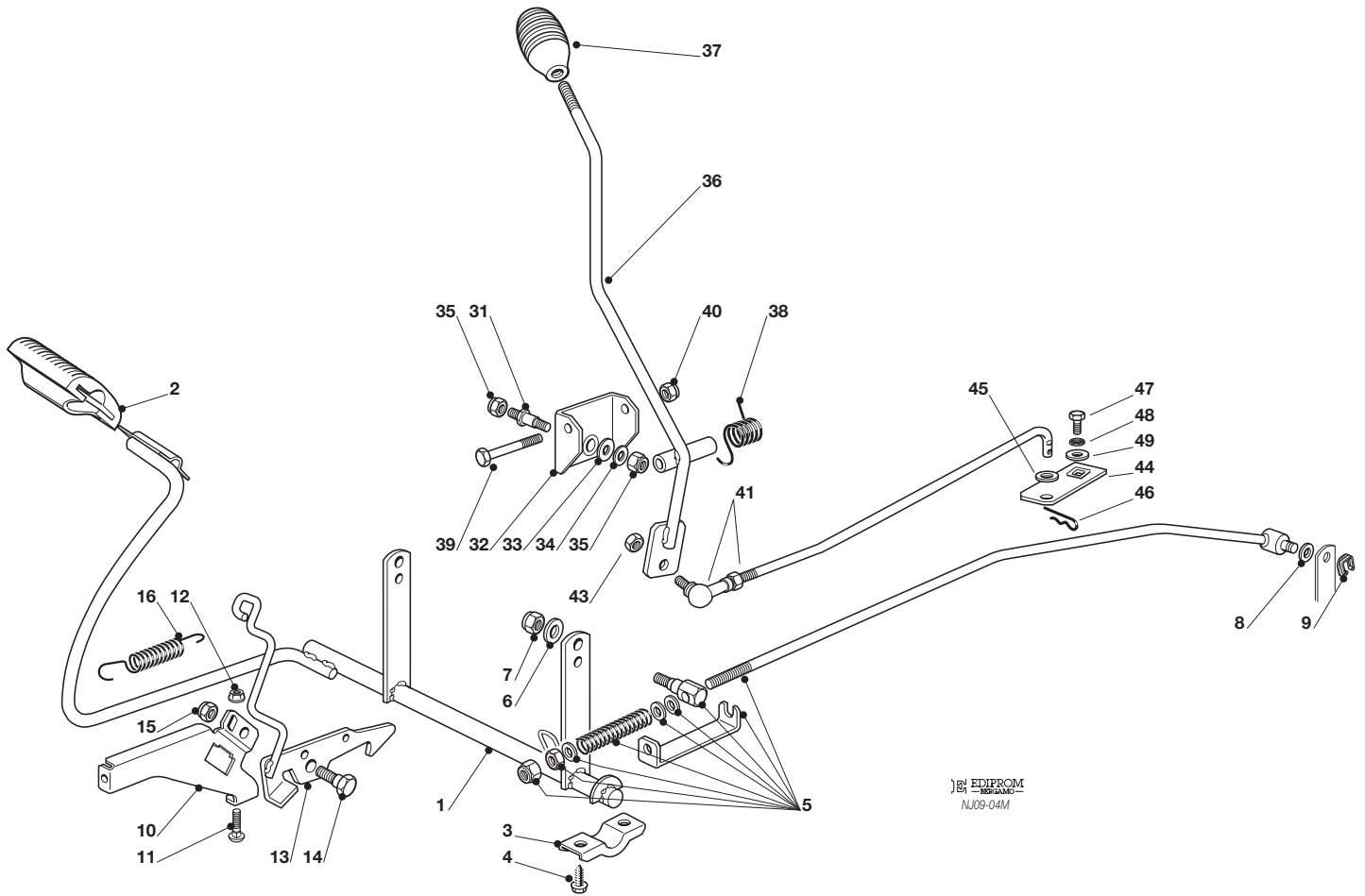
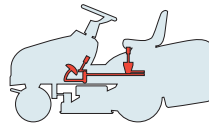
N.	CODE	Q.TY	DESCRIZIONE	DESCRIPTION	DESCRIPTION	BESCHREIBUNG
1	25038004/0	1	Boccola	Bush	Douille	Büchse
2	125520006/1	1	Piantone	Steering Column	Tube De Direction	Lenkungsaeule
3	27570050/0	1	Pignone	Pinion	Pignon	Ritzel
4	12622650/0	1	Spina	Pin	Goupille	Stift
5	25743000/0	1	Snodo	Joint	Joint	Gelenk
6	12521370/0	1	Rosetta	Washer	Rondelle	Scheibe
7	12436030/0	1	Piastrina	Plate	Plaqueette	Platteechen
8	325785213/1	1	Supporto	Support	Support	Halter
9	12729601/1	2	Vite	Screw	Vis	Schraube
12	12379511/0	1	Ingrassatore	Grease Dispenser	Graisneur	Fettbüchse
13	25040624/0	2	Bussola	Bush	Douille	Büchse
16	25510092/0	1	Perno	Pin	Pivot	Bolzen
17	25670019/0	1	Rosetta	Washer	Rondelle	Scheibe
18	25735513/0	1	Settore	Steering Shaft	Arbre Direction	Lenkungswelle
19	12523080/0	1	Rosetta	Washer	Rondelle	Scheibe
20	12155020/0	1	Dado	Nut	Ecrou	Mutter
21	25318205/0	1	Leva	Lever	Levier	Hebel
22	12523080/0	1	Rosetta	Washer	Rondelle	Scheibe
23	12794985/0	1	Vite	Screw	Vis	Schraube
24	25743000/0	1	Snodo	Joint	Joint	Gelenk
25	325785213/1	1	Supporto	Support	Support	Halter
26	12791213/1	2	Vite	Screw	Vis	Schraube
27	12521330/0	2	Rosetta	Washer	Rondelle	Scheibe
28	12154510/0	2	Dado	Nut	Ecrou	Mutter
29	382000539/1	1	Asta Com. Sterzo	Steering Rod	Levier Barre De Direction	Lenkungsstab
30	12523070/0	2	Rosetta	Washer	Rondelle	Scheibe
31	12155010/0	2	Dado	Nut	Ecrou	Mutter
41	382034024/1	1	Bilanciere Con Boccola Ed Ingrassatore	Equalizer With Bush And Lubricator	Balancier Avec Douille Et Graisseur	Kipphebel Mit Büchse Und Fettbüchse
42	25034002/1	4	Boccola	Bush	Douille	Büchse





N.	CODE	Q.TY	DESCRIZIONE	DESCRIPTION	DESCRIPTION	BESCHREIBUNG
43	12379511/0	2	Ingrassatore	Grease Dispenser	Graisneur	Fettbüchse
44	25160016/0	1	Distanziale	Spacer	Entretoise	Entfernungsstück
45	12692695/0	1	Vite	Screw	Vis	Schraube
46	12523100/0	2	Rosetta	Washer	Rondelle	Scheibe
47	12587100/0	1	Grower	Grower	Grower	Grower
48	12295300/0	1	Dado	Nut	Ecrou	Mutter
49	82230363/0	1	Fusello Destro	Right Stub Axle	Fuseau Droite	Rechter Achsschenkel
50	82230365/0	1	Fusello Sinistro	Left Stub Axle	Fuseau Gauche	Linker Achsschenkel
51	12001000/0	2	Anello Elastico	Snap Ring	Anneau Ressort	Sprengring
52	25743000/0	1	Snodo	Joint	Joint	Gelenk
53	325785213/1	1	Supporto	Support	Support	Halter
54	12791213/1	2	Vite	Screw	Vis	Schraube
55	12521330/0	2	Rosetta	Washer	Rondelle	Scheibe
56	12154510/0	2	Dado	Nut	Ecrou	Mutter
57	125840023/0	1	Tirante Colleg. Fuselli	Tie Rod	Tirant	Spannstange
58	122746609/0	2	Snodo	Joint	Joint	Gelenk
59	12156602/0	2	Dado	Nut	Ecrou	Mutter
60	112295201/0	2	Dado	Nut	Ecrou	Mutter
71	82680008/1	2	Ruota Anteriore	Front Wheel	Roue Avant	Vorderrad
72	82000590/1	2	Cerchio Ruota	Rimm	Bandage Roue	Vorderrad Felger
73	25122200/2	4	Cuscinetto	Bearing	Roulement	Lager
74	27590053/0	2	Pneumatico	Tire	Pneu	Reifen
75	25950000/0	2	Valvola	Valve	Soupape	Ventil
76	25670005/1	2	Rosetta	Washer	Rondelle	Scheibe
77	12001000/0	2	Anello Elastico	Snap Ring	Anneau Ressort	Sprengring
78	22110230/0	2	Coprimezzo	Hub Cover	Couvre Moyeu	Nabedeckel
79	82110252/0	2	Coprimezzo	Hub Cover	Couvre Moyeu	Nabedeckel
80	82110274/0	2	Coprimezzo	Hub Cover	Couvre Moyeu	Nabedeckel





EDIPROM
NUG-04M

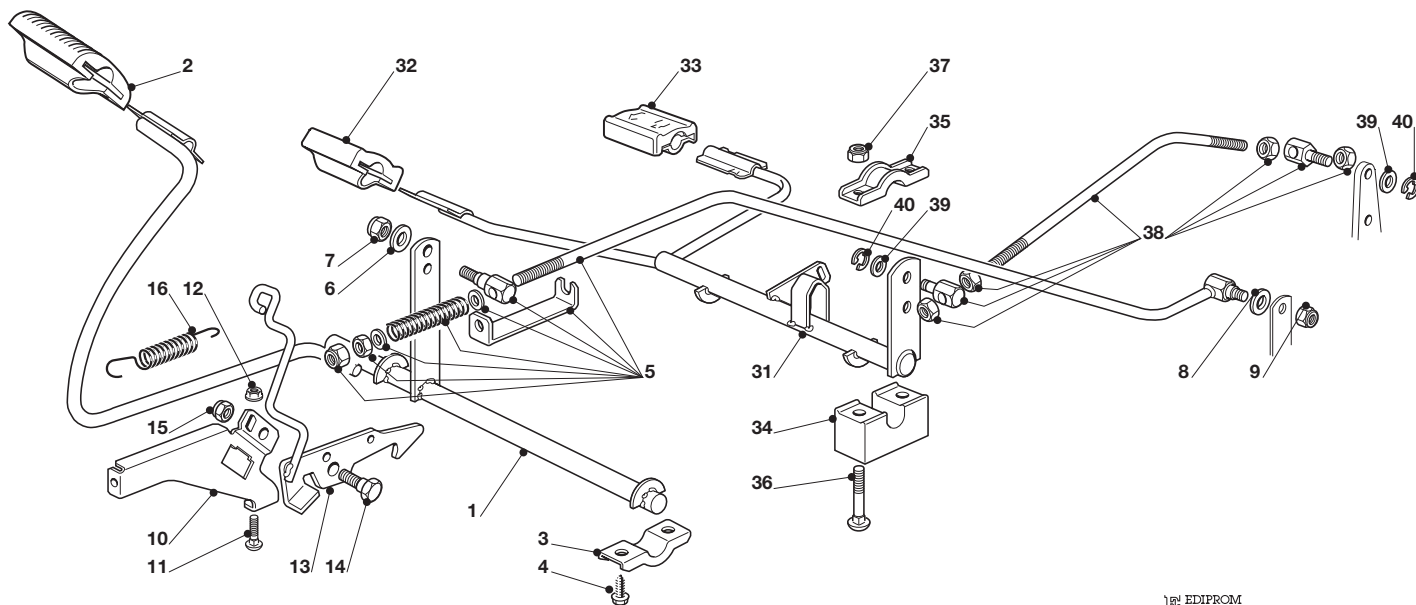
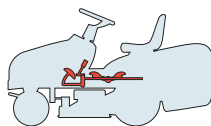
N.	CODE	Q.TY	DESCRIZIONE	DESCRIPTION	DESCRIPTION	BESCHREIBUNG
1	82500027/1	1	Pedale	Pedal	Pedal	Pedal
2	25110269/0	1	Coprstaffa	Clamp Cover	Couvre Etrier	Bridedeckel
3	27546015/1	2	Piastrina	Plate	Plaque	Platte
4	12729601/1	4	Vite	Screw	Vis	Schraube
5	382000541/1	1	Asta	Rod	Barre	Stange
6	12523040/0	1	Rosetta	Washer	Rondelle	Scheibe
7	12154510/0	1	Dado	Nut	Ecrou	Mutter
8	12521350/0	1	Rosetta	Washer	Rondelle	Scheibe
9	12436050/0	1	Piastrina	Plate	Plaque	Platte
10	25785261/0	1	Supporto	Support	Support	Halter
11	12815200/0	2	Vite	Screw	Vis	Schraube
12	12292102/0	2	Dado	Nut	Ecrou	Mutter
13	82000531/0	1	Asta	Rod	Barre	Stange
14	22524970/2	1	Perno	Pin	Pivot	Bolzen
15	12155000/0	1	Dado	Nut	Ecrou	Mutter
16	25430213/0	1	Molla	Spring	Ressort	Feder
31	25510035/0	1	Perno	Pin	Pivot	Bolzen
32	82774247/0	1	Staffa	Clamp	Etrier	Bride
33	22672152/0	1	Rosetta	Washer	Rondelle	Scheibe
34	12523060/0	1	Rosetta	Washer	Rondelle	Scheibe
35	12155010/0	2	Dado	Nut	Ecrou	Mutter
36	82318215/0	1	Leva	Gearshift	Levier	Hebel
37	25394510/0	1	Manopola	Knob	Poignee	Wechsel
38	25430258/0	1	Molla	Spring	Ressort	Feder
39	12692050/0	1	Vite	Screw	Vis	Schraube
40	12155000/0	1	Dado	Nut	Ecrou	Mutter
41	382000545/0	1	Asta	Rod	Barre	Stange
43	12155000/0	1	Dado	Nut	Ecrou	Mutter
44	25318169/0	1	Leva	Gearshift	Levier	Hebel





N.	CODE	Q.TY	DESCRIZIONE	DESCRIPTION	DESCRIPTION	BESCHREIBUNG
45	12521340/0	1	Rosetta	Washer	Rondelle	Scheibe
46	24487997/0	1	Rosetta	Washer	Rondelle	Scheibe
47	12735520/0	1	Vite	Screw	Vis	Schraube
48	12540040/0	1	Rosetta	Washer	Rondelle	Scheibe
49	22680009/0	1	Rondella	Washer	Rondelle	Scheibe





EDIPROM
 NU11-04Y

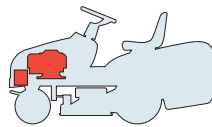
N.	CODE	Q.TY	DESCRIZIONE	DESCRIPTION	DESCRIPTION	BESCHREIBUNG
1	82500029/1	1	Pedale	Pedal	Pedal	Pedal
2	325110416/0	1	Coprstaffa	Clamp Cover	Couvre Etrier	Bridedeckel
3	27546015/1	2	Piastrina	Plate	Plaque	Platte
4	12729601/1	4	Vite	Screw	Vis	Schraube
5	382000542/1	1	Asta (Tuff Torq)	Rod (Tuff Torq)	Barre (Tuff Torq)	Stange (Tuff Torq)
5	382000627/0	1	Asta (Hydro-Gear)	Rod (Hydro-Gear)	Barre (Hydro-Gear)	Stange (Hydro-Gear)
6	12521350/0	1	Rosetta	Washer	Rondelle	Scheibe
7	12155000/0	1	Dado	Nut	Ecrou	Mutter
8	12521350/0	1	Rosetta	Washer	Rondelle	Scheibe
9	12155000/0	1	Dado	Nut	Ecrou	Mutter
10	25785261/0	1	Supporto	Support	Support	Halter
11	12815200/0	2	Vite	Screw	Vis	Schraube
12	12292102/0	2	Dado	Nut	Ecrou	Mutter
13	82000531/0	1	Asta	Rod	Barre	Stange
14	22524970/2	1	Perno	Pin	Pivot	Bolzen
15	12155000/0	1	Dado	Nut	Ecrou	Mutter
16	25430213/0	1	Molla	Spring	Ressort	Feder
31	382000605/0	1	Pedale Avanzamento	Drive Pedal	Pedale Transmission	Getriebepedal
32	325110417/0	1	Coprstaffa Anteriore	Clamp Cover Front	Couvre Etrier Avant	Bridedeckel Vorde
33	325110418/0	1	Coprstaffa Posteriore	Clamp Cover Rear	Couvre Etrier Arriere	Bridedeckel Hinter
34	25785185/0	2	Supporto	Support	Support	Halter
35	27546015/1	2	Piastrina	Plate	Plaque	Platte
36	12815245/0	4	Vite	Screw	Vis	Schraube
37	12154510/0	4	Dado	Nut	Ecrou	Mutter
38	82000543/0	1	Asta (Tuff Torq)	Rod (Tuff Torq)	Barre (Tuff Torq)	Stange (Tuff Torq)
38	382000578/0	1	Asta (Hydro-Gear)	Rod (Hydro-Gear)	Barre (Hydro-Gear)	Stange (Hydro-Gear)
39	12523040/0	2	Rosetta	Washer	Rondelle	Scheibe
40	12154510/0	2	Dado	Nut	Ecrou	Mutter



J JR JTP JB JX JS JU

N...92

N...92 hydro



MOTORE
ENGINE
MOTEUR
MOTOR

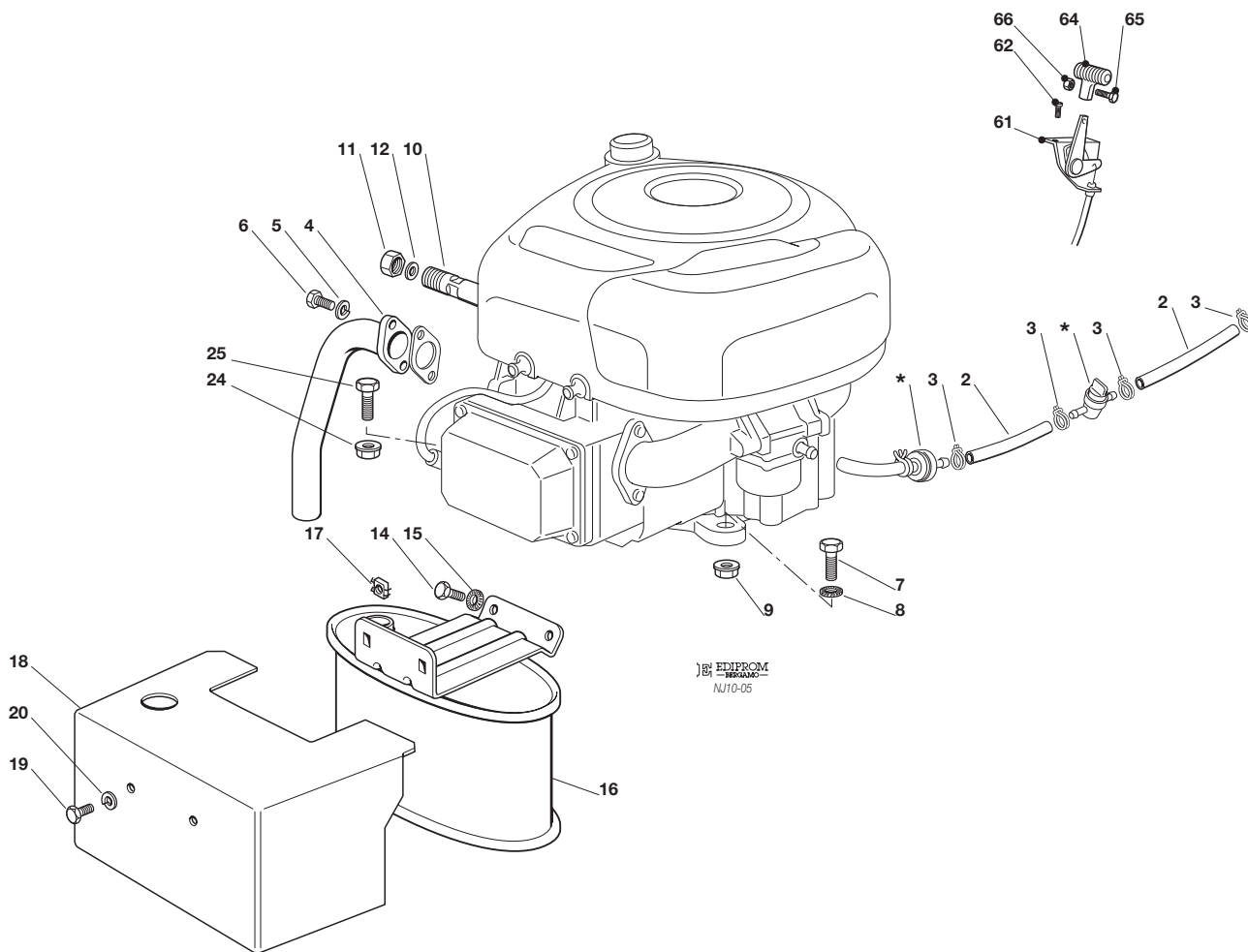
B&S 11,5 - 12,5 - 13,5 HP



2011

4005.0

1 / 1



N.	CODE	Q.TY	DESCRIZIONE	DESCRIPTION	DESCRIPTION	BESCHREIBUNG
2	25869057/0	1	Tubo Collegamento (1000 Mm)	Connecting Tube (1000 Mm)	Tube De Connexion (1000 Mm)	Verbindungsrohr (1000 Mm)
3	18375051/1	4	Fascetta	Fair Led	Fixation De Cable	Kabelbefestigung
4	18738224/0	1	Tubo Scarico	Exhaust Tube	Tube Echappement	Abgasungrohr
5	12583500/0	2	Grower	Grower	Grower	Grower
6	12735530/0	2	Vite	Screw	Vis	Schraube
7	12691115/0	1	Vite	Screw	Vis	Schraube
8	12540260/0	1	Rondella	Washer	Rondelle	Scheibe
9	12154210/0	1	Dado	Nut	Ecrou	Mutter
10	25598050/0	1	Prolunga Scarico Olio	Oil Discharge Extension	Extension Dech. Huile	Öl Abfluss
11	18737849/0	1	Tappo Prolunga	Oil Cap	Bouchon Huile	Öelverschluss
12	18401001/1	1	Guarnizione	Oil Seal	Garniture	Dichtung
14	12793102/0	2	Vite	Screw	Vis	Schraube
15	12540260/0	2	Rondella	Washer	Rondelle	Scheibe
16	182750010/0	1	Silenziatore	Muffler	Silenceux	Auspuff
17	12360425/0	2	Dado	Nut	Ecrou	Mutter
18	82598009/2	1	Protezione	Guard	Protection	Schutze
19	12792611/0	2	Vite	Screw	Vis	Schraube
20	12583500/0	2	Grower	Grower	Grower	Grower
24	12154210/0	3	Dado	Nut	Ecrou	Mutter
25	12691100/0	3	Vite	Screw	Vis	Schraube
61	82000200/1	1	Acceleratore	Accelerator	Accelérateur	Gas Zug
62	125943012/0	2	Vite	Screw	Vis	Schraube
64	25394501/0	1	Manopolina	Handle	Poigne	Griff
65	12726388/0	1	Vite	Screw	Vis	Schraube
66	12290800/0	1	Dado	Nut	Ecrou	Mutter

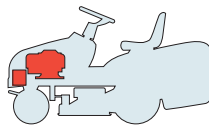
PER LA SOSTITUZIONE DELLE PARTI CONTRASSEGNALE CON «*» RIVOLGERSI AL SERVIZIO ASSISTENZA DEL COSTRUTTORE DEL MOTORE.
 TO REPLACE THE PARTS MARKED «*» SEEK ASSISTANCE FROM THE ENGINE MANUFACTURER'S AFTER SALES SERVICE.
 POUR LE REMPLACEMENT DES PIÈCES MARQUÉES AVEC «*» S'ADRESSER AU SERVICE APRÈS VENTES DU CONSTRUCTEUR DU MOTEUR.
 ZUM AUSTAUSCH DER MIT «*» GEKENNZEICHNETEN TEILE, WENDEN SIE SICH AN DEN KUNDENDIENST DES HERSTELLERS DES MOTOR.



J JR JTP JB JX JS JU

N...92

N...92 hydro



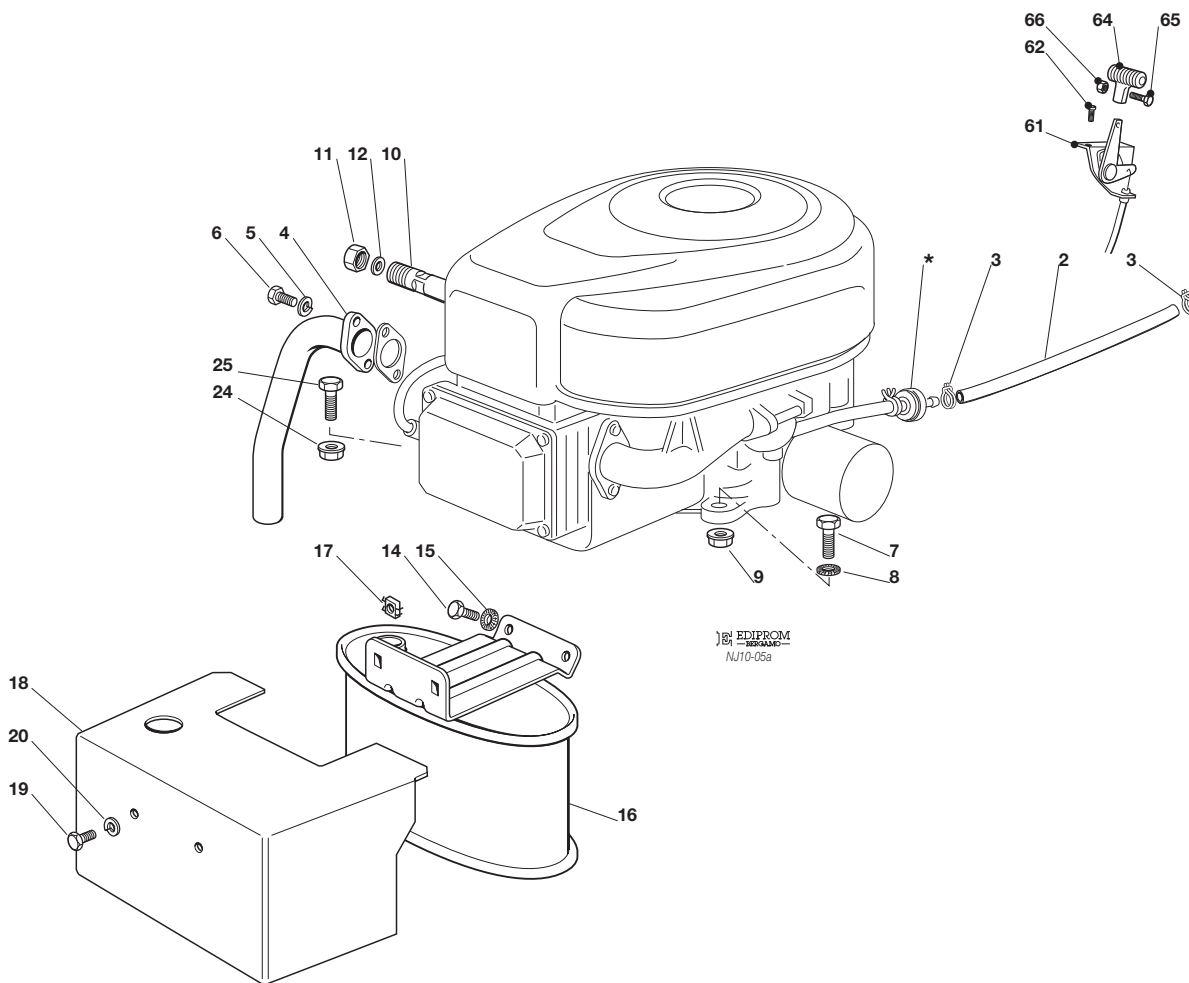
**MOTORE
ENGINE
MOTEUR
MOTOR**
B&S 15,5 - 16,5 HP

BRIGGS & STRATTON

2011

4005a.0

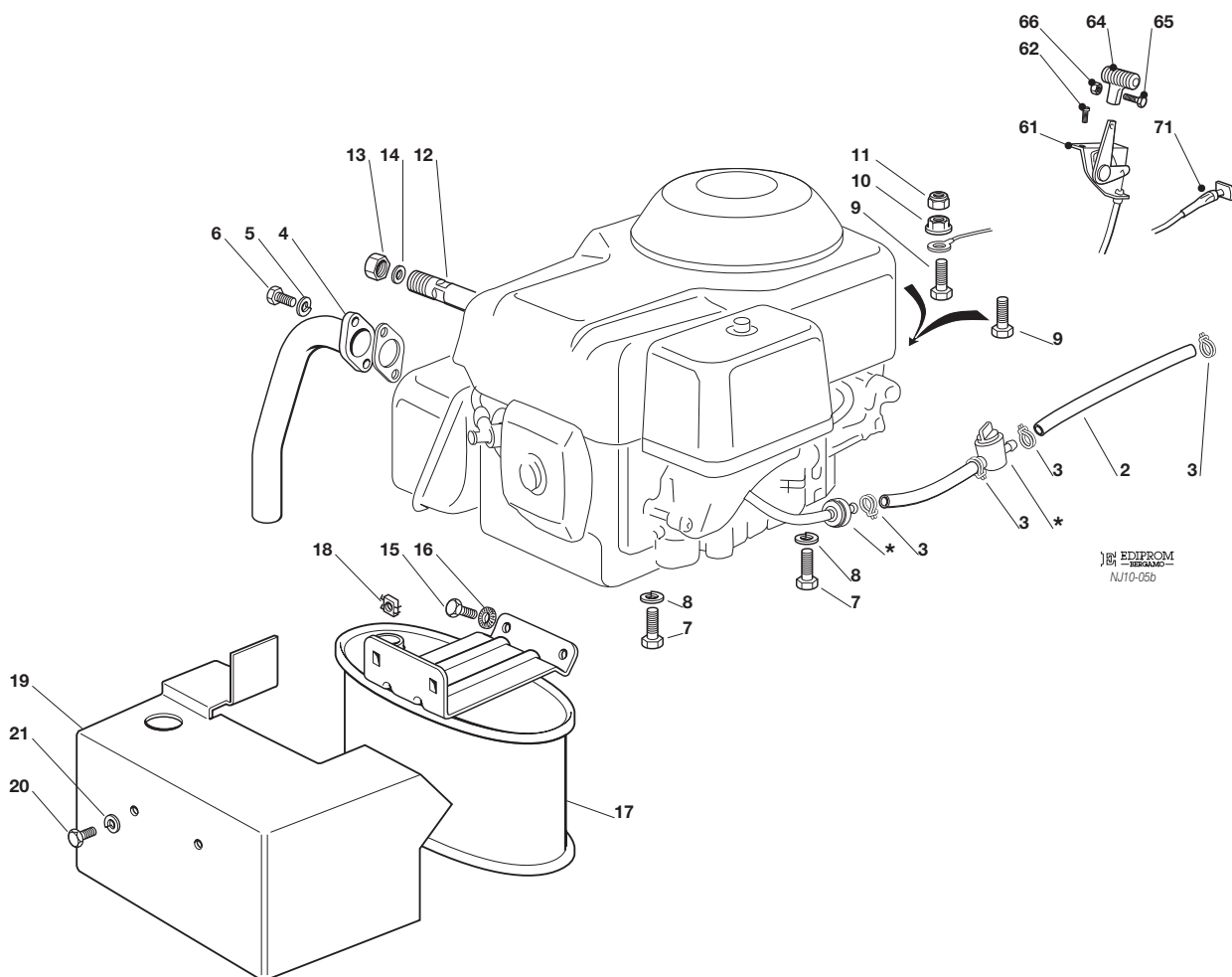
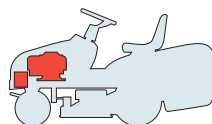
1 / 1



N.	CODE	Q.TY	DESCRIZIONE	DESCRIPTION	DESCRIPTION	BESCHREIBUNG
2	25869057/0	1	Tubo Collegamento (1000 Mm)	Connecting Tube (1000 Mm)	Tube De Connexion (1000 Mm)	Verbindungsrohr (1000 Mm)
3	18375051/1	2	Fascetta	Fair Led	Fixation De Cable	Kabelbefestigung
4	18738206/0	1	Tubo Scarico	Exhaust Tube	Tube Echappement	Abgasungrohr
5	12583500/0	2	Grower	Grower	Grower	Grower
6	12735530/0	2	Vite	Screw	Vis	Schraube
7	12691115/0	1	Vite	Screw	Vis	Schraube
8	12540260/0	1	Rondella	Washer	Rondelle	Scheibe
9	12154210/0	1	Dado	Nut	Ecrou	Mutter
10	25598050/0	1	Prolunga Scarico Olio	Oil Discharge Extension	Extension Dech. Huile	Öl Abfluss
11	18737849/0	1	Tappo Prolunga	Oil Cap	Bouchon Huile	Ölverschluss
12	18401001/1	1	Guarnizione	Oil Seal	Garniture	Dichtung
14	12793102/0	2	Vite	Screw	Vis	Schraube
15	12540260/0	2	Rondella	Washer	Rondelle	Scheibe
16	182750010/0	1	Silenziatore	Muffler	Silenceux	Auspuff
17	12360425/0	2	Dado	Nut	Ecrou	Mutter
18	82598009/2	1	Protezione	Guard	Protection	Schutze
19	12792611/0	2	Vite	Screw	Vis	Schraube
20	12583500/0	2	Grower	Grower	Grower	Grower
24	12154210/0	3	Dado	Nut	Ecrou	Mutter
25	12691100/0	3	Vite	Screw	Vis	Schraube
61	82000200/1	1	Acceleratore	Accelerator	Accelérateur	Gas Zug
62	125943012/0	2	Vite	Screw	Vis	Schraube
64	25394501/0	1	Manopolina	Handle	Poigne	Griff
65	12726388/0	1	Vite	Screw	Vis	Schraube
66	12290800/0	1	Dado	Nut	Ecrou	Mutter

PER LA SOSTITUZIONE DELLE PARTI CONTRASSEGNAE CON «*» RIVOLGERSI AL SERVIZIO ASSISTENZA DEL COSTRUTTORE DEL MOTORE.
 TO REPLACE THE PARTS MARKED «*» SEEK ASSISTANCE FROM THE ENGINE MANUFACTURER'S AFTER SALES SERVICE.
 POUR LE REMPLACEMENT DES PIÈCES MARQUÉES AVEC «*» S'ADRESSER AU SERVICE APRÈS VENTES DU CONSTRUCTEUR DU MOTEUR.
 ZUM AUSTAUSCH DER MIT «*» GEKENNZEICHNETEN TEILE, WENDEN SIE SICH AN DEN KUNDENDIENST DES HERSTELLERS DES MOTOR.





N.	CODE	Q.TY	DESCRIZIONE	DESCRIPTION	DESCRIPTION	BESCHREIBUNG
2	25869057/0	1	Tubo Collegamento (1000 Mm)	Connecting Tube (1000 Mm)	Tube De Connexion (1000 Mm)	Verbindungsrohr (1000 Mm)
3	18375051/1	4	Fascetta	Fair Led	Fixation De Cable	Kabelbefestigung
4	18738204/0	1	Tubo Scarico	Exhaust Tube	Tube Echappement	Abgasungrohr
5	12583500/0	2	Grower	Grower	Grower	Grower
6	12793102/0	2	Vite	Screw	Vis	Schraube
7	12735802/0	2	Vite	Screw	Vis	Schraube
8	12583500/0	2	Grower	Grower	Grower	Grower
9	12691100/0	2	Dado	Nut	Ecrou	Mutter
10	12154210/0	2	Dado	Nut	Ecrou	Mutter
11	12155000/0	1	Dado	Nut	Ecrou	Mutter
12	27598061/1	1	Prolunga Scarico Olio	Oil Discharge Extension	Extension Dech. Huile	Öl Abfluss
13	18737849/0	1	Tappo Prolunga	Oil Cap	Bouchon Huile	Oelverschluss
14	18401001/1	1	Guarnizione	Oil Seal	Garniture	Dichtung
15	12792611/0	2	Vite	Screw	Vis	Schraube
16	12540260/0	2	Rondella	Washer	Rondelle	Scheibe
17	182750010/0	1	Silenziatore	Muffler	Silenceux	Auspuff
18	12360425/0	2	Dado	Nut	Ecrou	Mutter
19	82598003/1	1	Protezione	Guard	Protection	Schutze
20	125943012/0	2	Vite	Screw	Vis	Schraube
61	82000200/1	1	Acceleratore	Accelerator	Accelérateur	Gas Zug
62	12788512/0	2	Vite	Screw	Vis	Schraube
63	12581200/0	2	Grower	Grower	Grower	Grower
64	25394501/0	1	Manopolina	Handle	Poigne	Griff
65	12726388/0	1	Vite	Screw	Vis	Schraube
66	12290800/0	1	Dado	Nut	Ecrou	Mutter
71	125090007/0	1	Comando Starter	Choke Control	Commande Starter	Starter Betaetigung

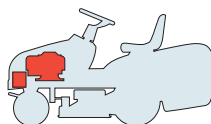
PER LA SOSTITUZIONE DELLE PARTI CONTRASSEGNAE CON «*» RIVOLGERSI AL SERVIZIO ASSISTENZA DEL COSTRUTTORE DEL MOTORE.
TO REPLACE THE PARTS MARKED «*» SEEK ASSISTANCE FROM THE ENGINE MANUFACTURER'S AFTER SALES SERVICE.
POUR LE REMPLACEMENT DES PIÈCES MARQUÉES AVEC «*» S'ADRESSER AU SERVICE APRÈS VENTES DU CONSTRUCTEUR DU MOTEUR.
ZUM AUSTAUSCH DER MIT «*» GEKENNZEICHNETEN TEILE, WENDEN SIE SICH AN DEN KUNDENDIENST DES HERSTELLERS DES MOTOR.



J JR JTP JB JX JS JU

N...92

N...92 hydro

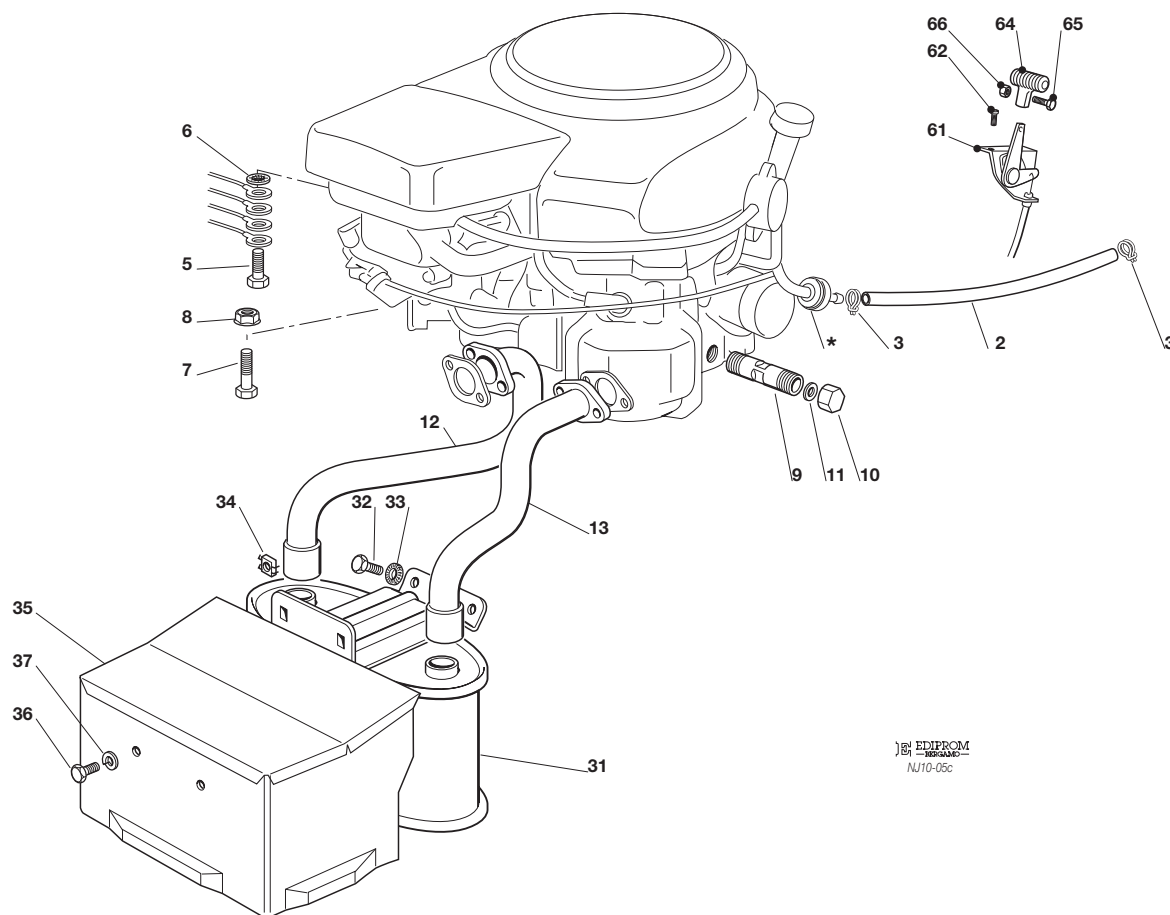


MOTORE
ENGINE
MOTEUR
MOTOR
HONDA GCV 530

POWERED by
HONDA

2011
4005c.0

1 / 1

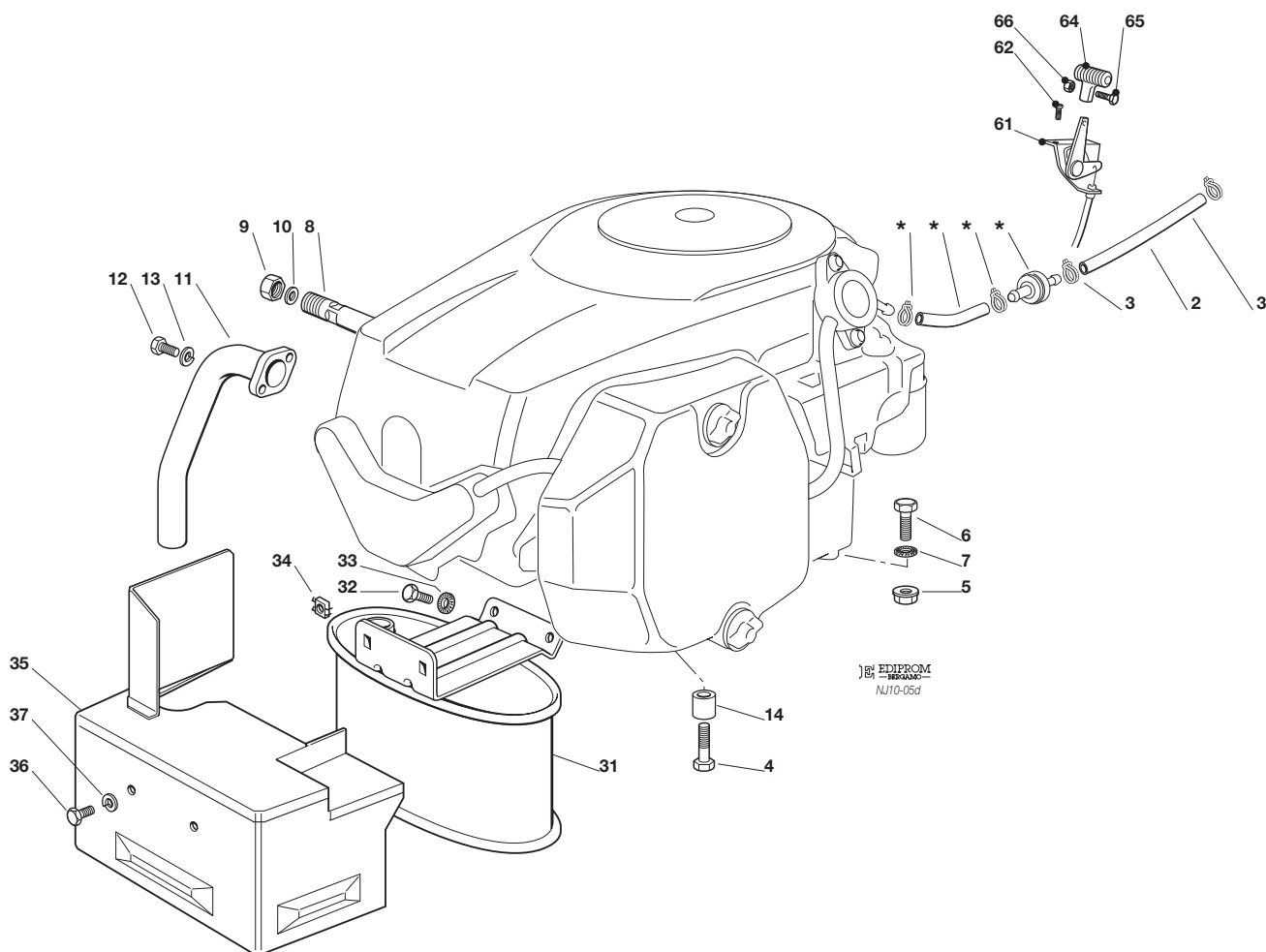
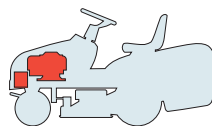


EDIPROM
11/10-05c

N.	CODE	Q.TY	DESCRIZIONE	DESCRIPTION	DESCRIPTION	BESCHREIBUNG
2	25869057/0	1	Tubo Collegamento (1000 Mm)	Connecting Tube (1000 Mm)	Tube De Connexion (1000 Mm)	Verbindungsrohr (1000 Mm)
3	18375051/1	2	Fascetta	Fair Led	Fixation De Cable	Kabelbefestigung
5	12735599/0	1	Vite	Screw	Vis	Schraube
6	12540260/0	1	Rondella	Washer	Rondelle	Scheibe
7	12691115/0	4	Vite	Screw	Vis	Schraube
8	12154210/0	4	Dado	Nut	Ecrou	Mutter
9	125598052/1	1	Prolunga Scarico Olio	Oil Discharge Extension	Extension Dech. Huile	Öl Abfluss
10	18737849/0	1	Tappo Prolunga	Oil Cap	Bouchon Huile	Oelverschluss
11	18401001/1	1	Guarnizione	Oil Seal	Garniture	Dichtung
12	18738221/0	1	Tubo Scarico Destro	Exhaust Tube Right	Tube Echappement Droit	Abgasungrohr, Rechte
13	18738222/0	1	Tubo Scarico Sinistro	Exhaust Tube Left	Tube Echappement Gau.	Abgasungrohr, Linke
31	82750003/0	1	Silenziatore	Muffler	Silenceux	Auspuff
32	12793102/0	2	Vite	Screw	Vis	Schraube
33	12540260/0	2	Rondella	Washer	Rondelle	Scheibe
34	12360425/0	2	Dado	Nut	Ecrou	Mutter
35	82598005/2	1	Protezione	Guard	Protection	Schutze
36	12792611/0	2	Vite	Screw	Vis	Schraube
37	12583500/0	2	Grower	Grower	Grower	Grower
61	82000200/1	1	Acceleratore	Accelerator	Accelérateur	Gas Zug
62	125943012/0	2	Vite	Screw	Vis	Schraube
64	25394501/0	1	Manopolina	Handle	Poigne	Griff
65	12726388/0	1	Vite	Screw	Vis	Schraube
66	12290800/0	1	Dado	Nut	Ecrou	Mutter

PER LA SOSTITUZIONE DELLE PARTI CONTRASSEGNALE CON «*» RIVOLGERSI AL SERVIZIO ASSISTENZA DEL COSTRUTTORE DEL MOTORE.
 TO REPLACE THE PARTS MARKED «*» SEEK ASSISTANCE FROM THE ENGINE MANUFACTURER'S AFTER SALES SERVICE.
 POUR LE REMPLACEMENT DES PIÈCES MARQUÉES AVEC «*» S'ADRESSER AU SERVICE APRÈS VENTES DU CONSTRUCTEUR DU MOTEUR.
 ZUM AUSTAUSCH DER MIT «*» GEKENNZEICHNETEN TEILE, WENDEN SIE SICH AN DEN KUNDENDIENST DES HERSTELLERS DES MOTOR.





N.	CODE	Q.TY	DESCRIZIONE	DESCRIPTION	DESCRIPTION	BESCHREIBUNG
2	25869057/0	1	Tubo Collegamento (1000 Mm)	Connecting Tube (1000 Mm)	Tube De Connexion (1000 Mm)	Verbindungsrohr (1000 Mm)
3	18375051/1	2	Fascetta	Fair Led	Fixation De Cable	Kabelbefestigung
4	112735108/1	3	Vite	Screw	Vis	Schraube
5	12154210/0	1	Dado	Nut	Ecrou	Mutter
6	12691115/0	1	Vite	Screw	Vis	Schraube
7	12540260/0	1	Rondella	Washer	Rondelle	Scheibe
8	27598060/0	1	Prolunga Scarico Olio	Oil Discharge Extension	Extension Dech. Huile	Öl Abfluss
9	18737849/0	1	Tappo Prolunga	Oil Cap	Bouchon Huile	Oelverschluss
10	18401001/1	1	Guarnizione	Oil Seal	Garniture	Dichtung
11	18738227/0	1	Tubo Scarico	Exhaust Tube	Tube Echappement	Abgasrohr
12	12735530/0	2	Vite	Screw	Vis	Schraube
13	12583500/0	2	Grower	Grower	Grower	Grower
14	25160035/0	3	Distanziale	Spacer	Entretoise	Entfernungsstück
31	182750010/0	1	Silenziatore	Muffler	Silenceux	Auspuff
32	12793102/0	2	Vite	Screw	Vis	Schraube
33	12540260/0	2	Rondella	Washer	Rondelle	Scheibe
34	12360425/0	2	Dado	Nut	Ecrou	Mutter
35	82598029/0	1	Protezione	Guard	Protection	Schutze
36	12792611/0	2	Vite	Screw	Vis	Schraube
37	12583500/0	2	Grower	Grower	Grower	Grower
61	82000200/1	1	Acceleratore	Accelerator	Accelérateur	Gas Zug
62	125943012/0	2	Vite	Screw	Vis	Schraube
64	25394501/0	1	Manopolina	Handle	Poigne	Griff
65	12726388/0	1	Vite	Screw	Vis	Schraube
66	12290800/0	1	Dado	Nut	Ecrou	Mutter

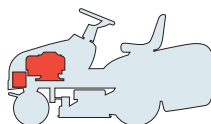
PER LA SOSTITUZIONE DELLE PARTI CONTRASSEGNALE CON «*» RIVOLGERSI AL SERVIZIO ASSISTENZA DEL COSTRUTTORE DEL MOTORE.
 TO REPLACE THE PARTS MARKED «*» SEEK ASSISTANCE FROM THE ENGINE MANUFACTURER'S AFTER SALES SERVICE.
 POUR LE REMPLACEMENT DES PIÈCES MARQUÉES AVEC «*» S'ADRESSER AU SERVICE APRÈS VENTES DU CONSTRUCTEUR DU MOTEUR.
 ZUM AUSTAUSCH DER MIT «*» GEKENNZEICHNETEN TEILE, WENDEN SIE SICH AN DEN KUNDENDIENST DES HERSTELLERS DES MOTOR.



J JR JTP JB JX JS JU

N...92

N...92 hydro



MOTORE
ENGINE
MOTEUR
MOTOR

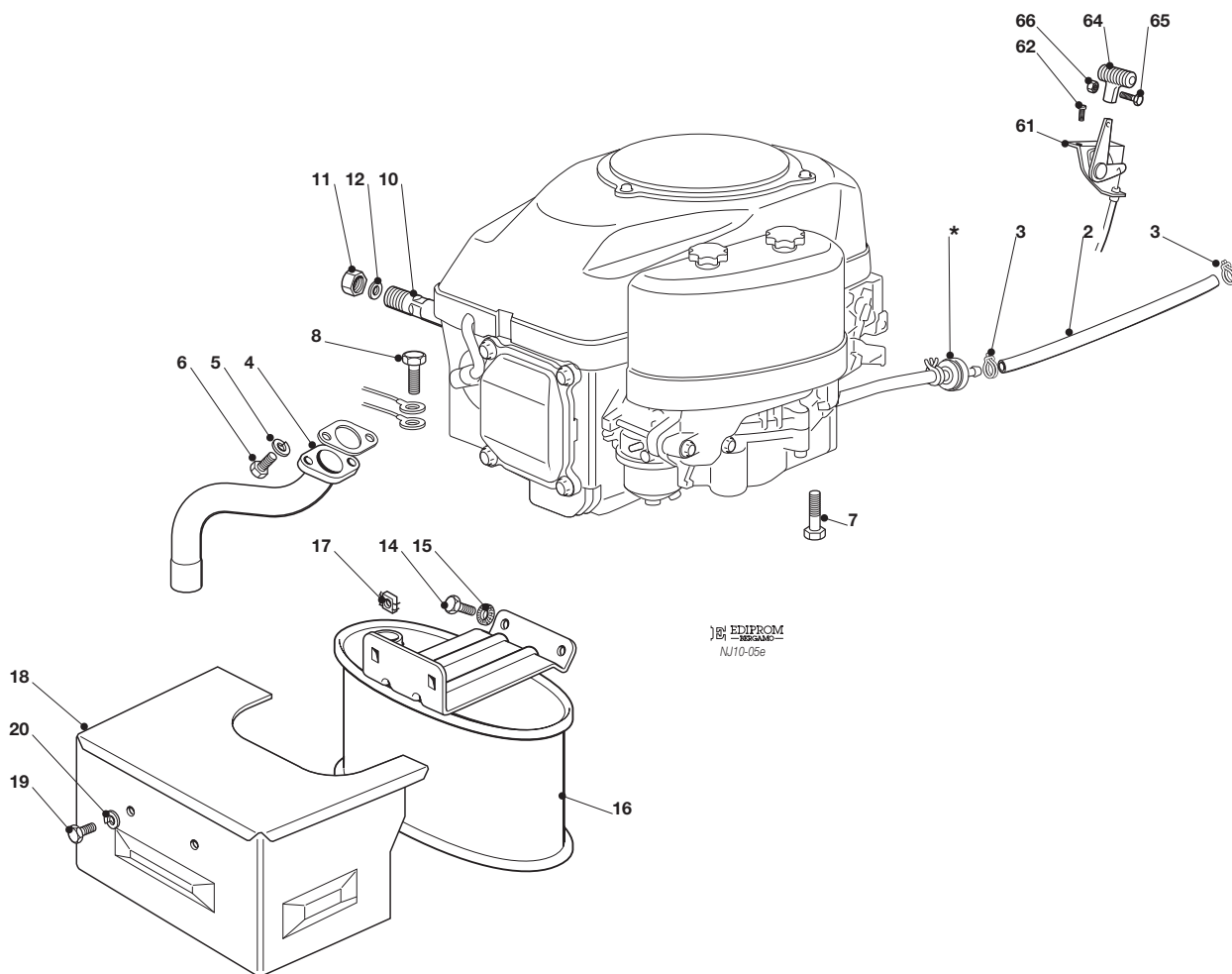


GGP ENGINE 12,5-13,5-14-14,5-16 HP

2011

4005e.0

1 / 1

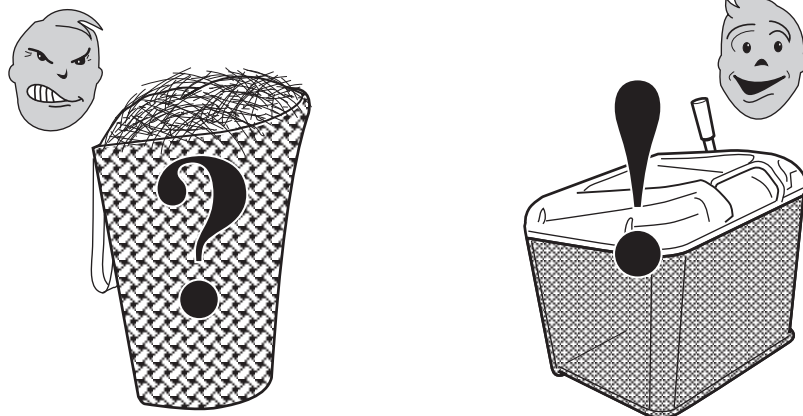


EDIPROM
N/10-05e

N.	CODE	Q.TY	DESCRIZIONE	DESCRIPTION	DESCRIPTION	BESCHREIBUNG
2	25869057/0	1	Tubo Collegamento (1000 Mm)	Connecting Tube (1000 Mm)	Tube De Connexion (1000 Mm)	Verbindungsrohr (1000 Mm)
3	18375051/1	4	Fascetta	Fair Led	Fixation De Cable	Kabelbefestigung
4	118738231/1	1	Tubo Scarico	Exhaust Tube	Tube Echappement	Abgasungrohr
5	12583500/0	2	Grower	Grower	Grower	Grower
6	12737450/0	2	Vite	Screw	Vis	Schraube
7	112735108/1	4	Vite	Screw	Vis	Schraube
8	12735599/0	1	Vite	Screw	Vis	Schraube
10	27598060/0	1	Prolunga Scarico Olio	Oil Discharge Extension	Extension Dech. Huile	Öl Abfluss
11	18737849/0	1	Tappo Prolunga	Oil Cap	Bouchon Huile	Oelverschluss
12	18401001/1	1	Guarnizione	Oil Seal	Garniture	Dichtung
14	12793102/0	2	Vite	Screw	Vis	Schraube
15	12540260/0	2	Rondella	Washer	Rondelle	Scheibe
16	182750010/0	1	Silenziatore	Muffler	Silenceux	Auspuff
17	12360425/0	2	Dado	Nut	Ecrou	Mutter
18	382598039/0	1	Protezione	Guard	Protection	Schutzze
19	12792611/0	2	Vite	Screw	Vis	Schraube
20	12583500/0	2	Grower	Grower	Grower	Grower
61	182000212/0	1	Acceleratore	Accelerator	Accelérateur	Gas Zug
62	125943012/0	2	Vite	Screw	Vis	Schraube
64	25394501/0	1	Manopolina	Handle	Poigne	Griff
65	12726388/0	1	Vite	Screw	Vis	Schraube
66	12290800/0	1	Dado	Nut	Ecrou	Mutter

PER LA SOSTITUZIONE DELLE PARTI CONTRASSEGNALE CON «*» RIVOLGERSI AL SERVIZIO ASSISTENZA DEL COSTRUTTORE DEL MOTORE.
 TO REPLACE THE PARTS MARKED «*» SEEK ASSISTANCE FROM THE ENGINE MANUFACTURER'S AFTER SALES SERVICE.
 POUR LE REMPLACEMENT DES PIÈCES MARQUÉES AVEC «*» S'ADRESSER AU SERVICE APRÈS VENTES DU CONSTRUCTEUR DU MOTEUR.
 ZUM AUSTAUSCH DER MIT «*» GEKENNZEICHNETEN TEILE, WENDEN SIE SICH AN DEN KUNDENDIENST DES HERSTELLERS DES MOTOR.



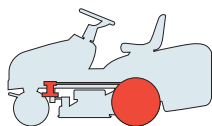


USARE SOLO RICAMBI ORIGINALI!
USE ONLY GENUINE SPARE PARTS!
UTILISER DES PIÈCES DE RECHANGE D'ORIGINE!
NUR ORIGINALERSATZTEILE VERWENDEN!

J JR JTP JB JX JS JU

N...92

N...92 hydro

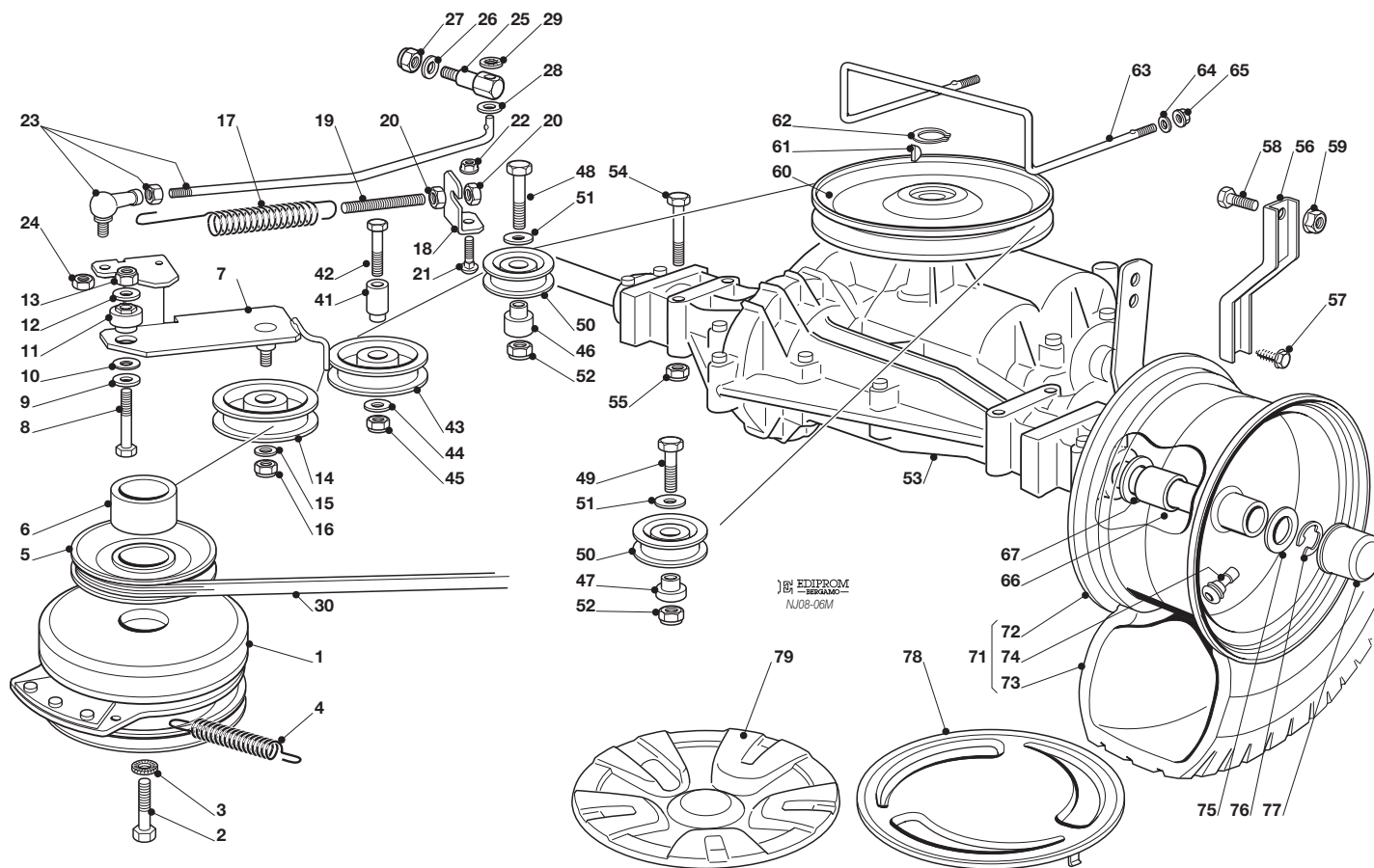


TRASMISSIONE
TRANSMISSION
TRANSMISSION
GETRIEBE

2011

4006M.0

1 / 2



EDIPROM
NJ08-05M

N.	CODE	Q.TY	DESCRIZIONE	DESCRIPTION	DESCRIPTION	BESCHREIBUNG
1	118399063/0	1	Frizione	Clutc	Embrajage	Kupplung
2	12737320/0	1	Vite	Screw	Vis	Schraube
3	12543000/0	1	Rosetta	Washer	Rondelle	Scheibe
4	22430216/0	1	Molla	Spring	Ressort	Feder
5	25601567/0	1	Puleggia	Pulley	Poulie	Riemenscheibe
6	25160021/0	1	Distanziale	Spacer	Entretoise	Entfernungsstück
7	82318217/0	1	Leva	Lever	Levier	Hebel
8	12691115/0	1	Vite	Screw	Vis	Schraube
9	12523060/0	1	Rosetta	Washer	Rondelle	Scheibe
10	27670055/0	1	Rosetta	Washer	Rondelle	Scheibe
11	25510087/0	1	Perno	Pin	Pivot	Bolzen
12	12523060/0	1	Rosetta	Washer	Rondelle	Scheibe
13	12155000/0	1	Dado	Nut	Ecrou	Mutter
14	25601554/0	1	Puleggia	Pulley	Poulie	Riemenscheibe
15	12523060/0	1	Rosetta	Washer	Rondelle	Scheibe
16	12155000/0	1	Dado	Nut	Ecrou	Mutter
17	25430260/0	1	Molla	Spring	Ressort	Feder
18	25755049/0	1	Squadretta	Bracket	Equerre-Support	Winkel
19	25840005/0	1	Tirante	Tie Rod	Tirant	Spannstange
20	12293200/0	2	Dado	Nut	Ecrou	Mutter
21	12818690/0	1	Vite	Screw	Vis	Schraube
22	12293201/0	1	Dado	Nut	Ecrou	Mutter
23	82820013/0	1	Ass. Tirante	Tie Rod Ass.Y	Ens. Tirant	Spannstange, Komplet
24	12155000/0	1	Dado	Nut	Ecrou	Mutter
25	25510063/0	1	Perno	Pin	Pivot	Bolzen
26	25670011/0	2	Rosetta	Washer	Rondelle	Scheibe
27	12155000/0	1	Dado	Nut	Ecrou	Mutter
28	12521350/0	1	Rosetta	Washer	Rondelle	Scheibe
29	12604899/0	1	Fissatore A Corona	Crown Fastener	Fixateur A Couronne	Kronescheibe
30	35062012/0	1	Cinghia	Belt	Couroie	Riemen





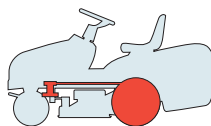
N.	CODE	Q.TY	DESCRIZIONE	DESCRIPTION	DESCRIPTION	BESCHREIBUNG
41	125510100/0	1	Perno	Pin	Pivot	Bolzen
42	12691800/0	1	Vite	Screw	Vis	Schraube
43	25601555/0	1	Puleggia	Pulley	Poulie	Riemenscheibe
44	12523060/0	1	Rosetta	Washer	Rondelle	Scheibe
45	12155000/0	1	Dado	Nut	Ecrou	Mutter
46	125160014/1	1	Distanziale Destro	Right Spacer	Entretoise Droite	Rechter Entfernungs Stück
47	125160018/1	1	Distanziale Sinistro	Left Spacer	Entretoise Gauche	Linker Entfernungsstück
48	12691200/0	1	Vite	Screw	Vis	Schraube
49	12691100/0	1	Vite	Screw	Vis	Schraube
50	125601588/0	2	Puleggia	Pulley	Poulie	Riemenscheibe
51	22671653/0	2	Rosetta	Washer	Rondelle	Scheibe
52	12155000/0	2	Dado	Nut	Ecrou	Mutter
53	18400912/0	1	Asse Posteriore Dana 4360-211	Rear Axle Dana 4360-211	Axe Arriere Dana 4360-211	Hinterachse Dana 4360-211
54	12691900/0	4	Vite	Screw	Vis	Schraube
55	12154210/0	4	Dado	Nut	Ecrou	Mutter
56	25774247/0	2	Staffa	Clamp	Etrier	Bride
57	12735150/0	2	Vite	Screw	Vis	Schraube
58	12792611/0	2	Vite	Screw	Vis	Schraube
59	12293201/0	2	Dado	Nut	Ecrou	Mutter
60	82601509/0	1	Puleggia	Pulley	Poulie	Riemenscheibe
61	12139430/0	1	Linguetta	Key	Clavette	Keil
62	12608950/0	1	Anello Elastico	Snap Ring	Anneau Ressort	Sprengring
63	25270321/0	1	Guidacinghia	Belt Guide	Guide De Courroire	Riemenführung
64	12523040/0	2	Rosetta	Washer	Rondelle	Scheibe
65	12292102/0	2	Dado	Nut	Ecrou	Mutter
66	25160034/0	2	Distanziale	Spacer	Entretoise	Entfernungsstück
67	12521410/0	2-4	Rosetta	Washer	Rondelle	Scheibe
71	82680006/0	2	Ruota Posteriore	Rear Wheel	Roue Arriere	Hinterrad
72	82000592/0	2	Cerchio Ruota	Rimm	Bandage Roue	Hinterrad Felger
73	25590003/0	2	Pneumatico	Shoe	Pneu	Reifen
74	25950000/0	2	Valvola	Valve	Soupape	Ventil
75	25670005/1	2	Rosetta	Washer	Rondelle	Scheibe
76	12001010/0	2	Anello Elastico	Snap Ring	Anneau Ressort	Sprengring
77	22110230/0	2	Coprizzo	Hub Cover	Couvre Moyeu	Nabendeckel
78	82110253/0	2	Copriruota Post.	Rear Wheel Deck	Couvre Roue Post.	Hinterraddeckel
79	82110275/0	2	Copriruota Post.	Rear Wheel Deck	Couvre Roue Post.	Hinterraddeckel



J JR JTP JB JX JS JU

N...92

N...92 hydro

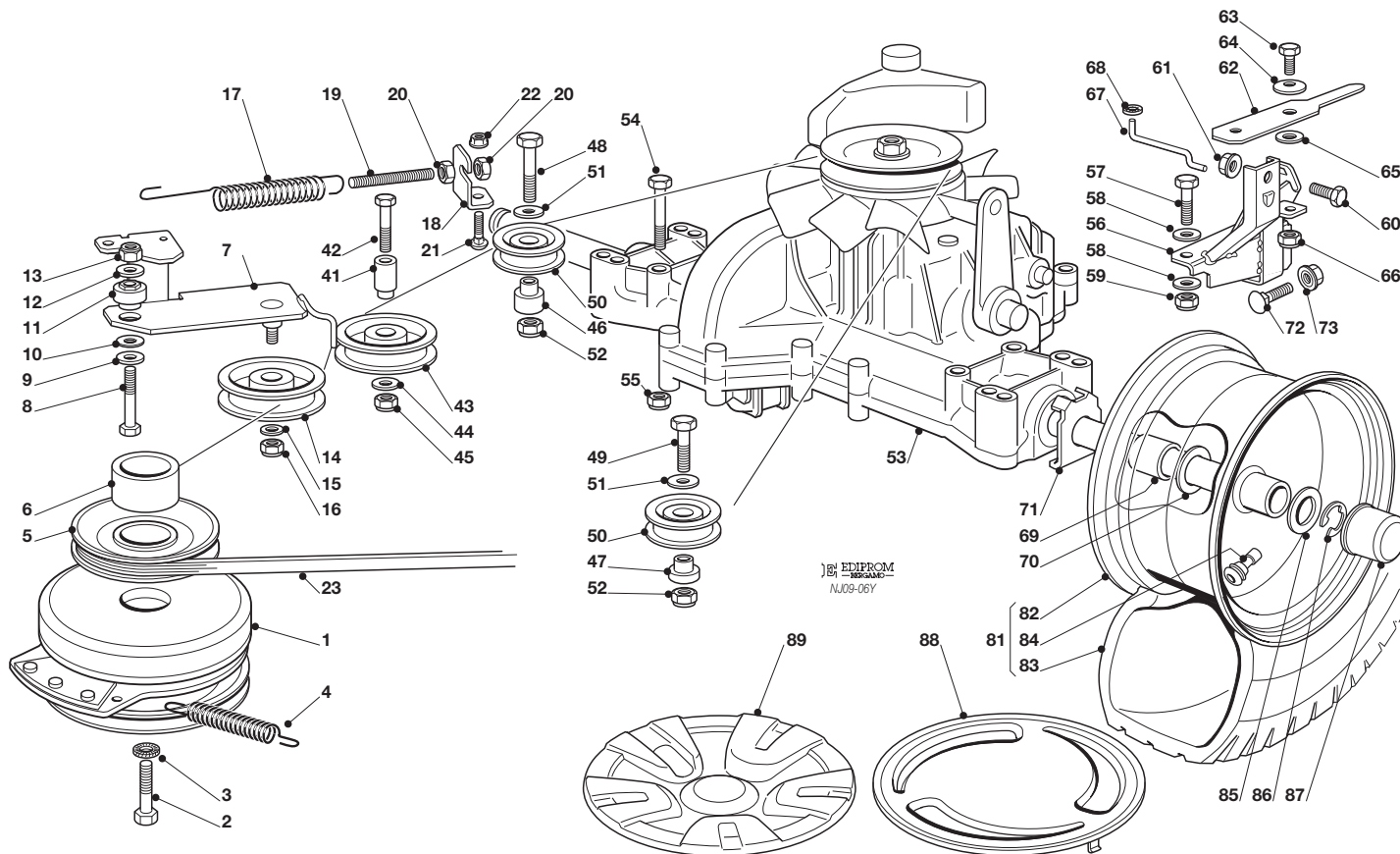


TRASMISSIONE
TRANSMISSION
TRANSMISSION
GETRIEBE
TUFF TORQ

2011

4006Y.0

1 / 2



N.	CODE	Q.TY	DESCRIZIONE	DESCRIPTION	DESCRIPTION	BESCHREIBUNG
1	118399063/0	1	Frizione	Clutc	Embrajage	Kupplung
2	12737320/0	1	Vite	Screw	Vis	Schraube
3	12543000/0	1	Rosetta	Washer	Rondelle	Scheibe
4	22430216/0	1	Molla	Spring	Ressort	Feder
5	25601566/0	1	Puleggia	Pulley	Poulie	Riemenscheibe
6	25160021/0	1	Distanziale	Spacer	Entretoise	Entfernungsstück
7	82318217/0	1	Leva	Lever	Levier	Hebel
8	12691115/0	1	Vite	Screw	Vis	Schraube
9	12523060/0	1	Rosetta	Washer	Rondelle	Scheibe
10	27670055/0	1	Rosetta	Washer	Rondelle	Scheibe
11	25510087/0	1	Perno	Pin	Pivot	Bolzen
12	12523060/0	1	Rosetta	Washer	Rondelle	Scheibe
13	12155000/0	1	Dado	Nut	Ecrou	Mutter
14	25601554/0	1	Puleggia	Pulley	Poulie	Riemenscheibe
15	12523060/0	1	Rosetta	Washer	Rondelle	Scheibe
16	12155000/0	1	Dado	Nut	Ecrou	Mutter
17	25430260/0	1	Molla	Spring	Ressort	Feder
18	25755049/0	1	Squadretta	Bracket	Equerre-Support	Winkel
19	25840005/0	1	Tirante	Tie Rod	Tirant	Spannstange
20	12293200/0	2	Dado	Nut	Ecrou	Mutter
21	12818690/0	1	Vite	Screw	Vis	Schraube
22	12293201/0	1	Dado	Nut	Ecrou	Mutter
23	35062001/0	1	Cinghia	Belt	Courroie	Riemen
41	125510100/0	1	Perno	Pin	Pivot	Bolzen
42	12691800/0	1	Vite	Screw	Vis	Schraube
43	25601555/0	1	Puleggia	Pulley	Poulie	Riemenscheibe
44	12523060/0	1	Rosetta	Washer	Rondelle	Scheibe
45	12155000/0	1	Dado	Nut	Ecrou	Mutter
46	125160024/2	1	Distanziale Destro	Right Spacer	Entretoise Droite	Rechter Entfernungsstück





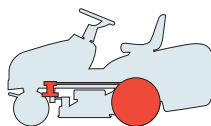
N.	CODE	Q.TY	DESCRIZIONE	DESCRIPTION	DESCRIPTION	BESCHREIBUNG
47	125160030/2	1	Distanziale Sinistro	Left Spacer	Entretoise Gauche	Linker Entfernungsstück
48	12691400/0	1	Vite Destra	Right Screw	Vis Droite	Rechte Schraube
49	12691115/0	1	Vite Sinistra	Left Screw	Vis Gauche	Linke Schraube
50	125601588/0	2	Puleggia	Pulley	Poulie	Riemenscheibe
51	22671653/0	2	Rosetta	Washer	Rondelle	Scheibe
52	12155000/0	2	Dado	Nut	Ecrou	Mutter
53	18400960/0	1	Asse Posteriore Tuff Torq K46S	Rear Axle Tuff Torq K46S	Axe Arriere Tuff Torq K46S	Hinterachse Tuff Torq K46S
54	12691800/0	4	Vite	Screw	Vis	Schraube
55	12154210/0	4	Dado	Nut	Ecrou	Mutter
56	82785149/0	1	Supporto	Support	Support	Halter
57	12691200/0	1	Vite	Screw	Vis	Schraube
58	12521350/0	2	Rosetta	Washer	Rondelle	Scheibe
59	12155000/0	1	Dado	Nut	Ecrou	Mutter
60	12792611/0	1	Vite	Screw	Vis	Schraube
61	12293201/0	1	Dado	Nut	Ecrou	Mutter
62	25318157/0	1	Leva	Lever	Levier	Hebel
63	12793102/0	1	Vite	Screw	Vis	Schraube
64	12369500/0	1	Disco Elastico	Elastic Washer	Disque Elastique	Federscheibe
65	25670011/0	1	Rosetta	Washer	Rondelle	Scheibe
66	12155000/0	1	Dado	Nut	Ecrou	Mutter
67	25033033/0	1	Asta	Rod	Barre	Stange
68	12604896/0	1	Fissatore A Corona	Crown Fastener	Fixateur A Couronne	Kronescheibe
69	25160031/0	2	Distanziale	Spacer	Entretoise	Entfernungsstück
70	12521410/0	2-4	Rosetta	Washer	Rondelle	Scheibe
71	325670025/0	2	Rosetta	Washer	Rondelle	Scheibe
72	12792611/0	1	Vite	Screw	Vis	Schraube
73	12293201/0	1	Dado	Nut	Ecrou	Mutter
81	82680006/0	2	Ruota Posteriore	Rear Wheel	Roue Arriere	Hinterrad
82	82000592/0	2	Cerchio Ruota	Rimm	Bandage Roue	Hinterrad Felger
83	25590003/0	2	Pneumatico	Shoe	Pneu	Reifen
84	25950000/0	2	Valvola	Valve	Soupape	Ventil
85	25670005/1	2	Rosetta	Washer	Rondelle	Scheibe
86	12001010/0	2	Anello Elastico	Snap Ring	Anneau Ressort	Sprengring
87	22110230/0	2	Coprizzo	Hub Cover	Couvre Moyeu	Nabendeckel
88	82110253/0	2	Copriruota Post.	Rear Wheel Deck	Couvre Roue Post.	Hinterraddeckel
89	82110275/0	2	Copriruota Post.	Rear Wheel Deck	Couvre Roue Post.	Hinterraddeckel



J JR JTP JB JX JS JU

N...92

N...92 hydro

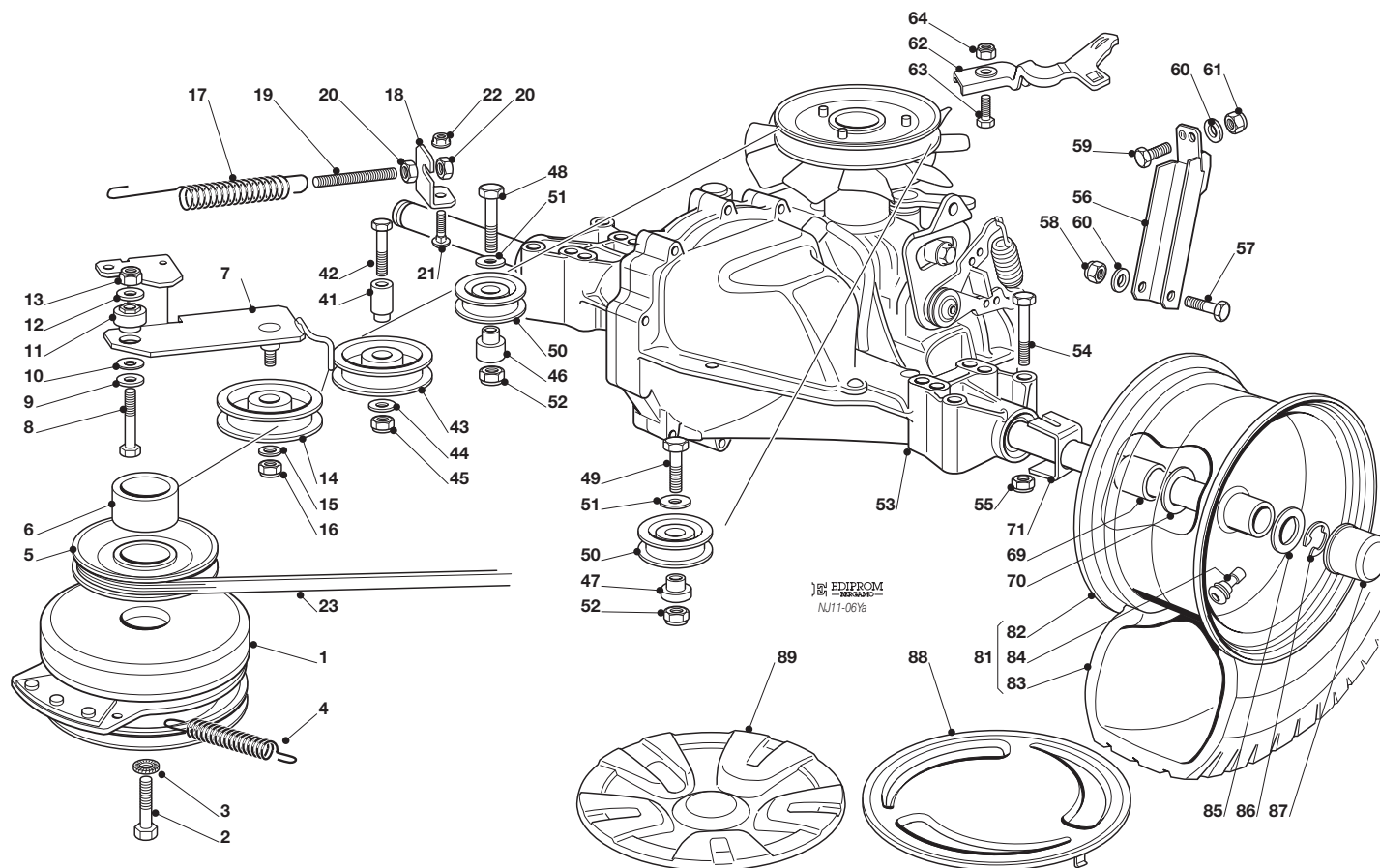


TRASMISSIONE
TRANSMISSION
TRANSMISSION
GETRIEBE
HYDRO-GEAR

2011

4006Ya.0

1 / 2



N.	CODE	Q.TY	DESCRIZIONE	DESCRIPTION	DESCRIPTION	BESCHREIBUNG
1	118399063/0	1	Frizione	Clutc	Embrajage	Kupplung
2	12737320/0	1	Vite	Screw	Vis	Schraube
3	12543000/0	1	Rosetta	Washer	Rondelle	Scheibe
4	22430216/0	1	Molla	Spring	Ressort	Feder
5	125601577/0	1	Puleggia	Pulley	Poulie	Riemenscheibe
6	25160021/0	1	Distanziale	Spacer	Entretoise	Entfernungsstück
7	82318217/0	1	Leva	Lever	Levier	Hebel
8	12691115/0	1	Vite	Screw	Vis	Schraube
9	12523060/0	1	Rosetta	Washer	Rondelle	Scheibe
10	27670055/0	1	Rosetta	Washer	Rondelle	Scheibe
11	25510087/0	1	Perno	Pin	Pivot	Bolzen
12	12523060/0	1	Rosetta	Washer	Rondelle	Scheibe
13	12155000/0	1	Dado	Nut	Ecrou	Mutter
14	25601554/0	1	Puleggia	Pulley	Poulie	Riemenscheibe
15	12523060/0	1	Rosetta	Washer	Rondelle	Scheibe
16	12155000/0	1	Dado	Nut	Ecrou	Mutter
17	25430260/0	1	Molla	Spring	Ressort	Feder
18	25755049/0	1	Squadretta	Bracket	Equerre-Support	Winkel
19	25840005/0	1	Tirante	Tie Rod	Tirant	Spannstange
20	12293200/0	2	Dado	Nut	Ecrou	Mutter
21	12818690/0	1	Vite	Screw	Vis	Schraube
22	12293201/0	1	Dado	Nut	Ecrou	Mutter
23	135062013/0	1	Cinghia	Belt	Courroie	Riemen
41	125510100/0	1	Perno	Pin	Pivot	Bolzen
42	12691800/0	1	Vite	Screw	Vis	Schraube
43	25601555/0	1	Puleggia	Pulley	Poulie	Riemenscheibe
44	12523060/0	1	Rosetta	Washer	Rondelle	Scheibe
45	12155000/0	1	Dado	Nut	Ecrou	Mutter





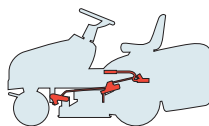
N.	CODE	Q.TY	DESCRIZIONE	DESCRIPTION	DESCRIPTION	BESCHREIBUNG
46	125160024/2	1	Distanziale Destro	Right Spacer	Entretoise Droite	Rechter Entfernungsstück
47	125160030/2	1	Distanziale Sinistro	Left Spacer	Entretoise Gauche	Linker Entfernungsstück
48	12691400/0	1	Vite Destra	Right Screw	Vis Droite	Rechte Schraube
49	12691115/0	1	Vite Sinistra	Left Screw	Vis Gauche	Linke Schraube
50	125601588/0	2	Puleggia	Pulley	Poulie	Riemenscheibe
51	22671653/0	2	Rosetta	Washer	Rondelle	Scheibe
52	12155000/0	2	Dado	Nut	Ecrou	Mutter
53	118400919/1	1	Asse Posteriore	Rear Axle	Axe Arriere	Hinterachse
			Hydro-Gear T2-ADBF-2X3C-1PX1	Hydro-Gear T2-ADBF-2X3C-1PX1	Hydro-Gear T2-ADBF-2X3C-1PX1	Hydro-Gear T2-ADBF-2X3C-1PX1
54	12691600/0	4	Vite	Screw	Vis	Schraube
55	12154210/0	4	Dado	Nut	Ecrou	Mutter
56	382785199/0	1	Supporto	Support	Support	Halter
57	12691700/0	1	Vite	Screw	Vis	Schraube
58	12155000/0	1	Dado	Nut	Ecrou	Mutter
59	12793701/0	1	Vite	Screw	Vis	Schraube
60	12523060/0	2	Rosetta	Washer	Rondelle	Scheibe
61	12155000/0	1	Dado	Nut	Ecrou	Mutter
62	325318253/0	1	Leva	Lever	Levier	Hebel
63	12791213/1	1	Vite	Screw	Vis	Schraube
64	12154210/0	1	Dado	Nut	Ecrou	Mutter
69	125160058/0	2	Distanziale	Spacer	Entretoise	Entfernungsstück
70	25670005/1	2	Rosetta	Washer	Rondelle	Scheibe
71	325670025/0	2	Rosetta	Washer	Rondelle	Scheibe
81	82680006/0	2	Ruota Posteriore	Rear Wheel	Roue Arriere	Hinterrad
82	82000592/0	2	Cerchio Ruota	Rimm	Bandage Roue	Hinterrad Felger
83	25590003/0	2	Pneumatico	Shoe	Pneu	Reifen
84	25950000/0	2	Valvola	Valve	Soupape	Ventil
85	25670005/1	2	Rosetta	Washer	Rondelle	Scheibe
86	12001010/0	2	Anello Elastico	Snap Ring	Anneau Ressort	Sprengring
87	22110230/0	2	Coprizzo	Hub Cover	Couvre Moyeu	Nabendeckel
88	82110253/0	2	Copri ruota Post.	Rear Wheel Deck	Couvre Roue Post.	Hinterraddeckel
89	82110275/0	2	Copri ruota Post.	Rear Wheel Deck	Couvre Roue Post.	Hinterraddeckel



J JR JTP JB JX JS JU

N...92

N...92 hydro

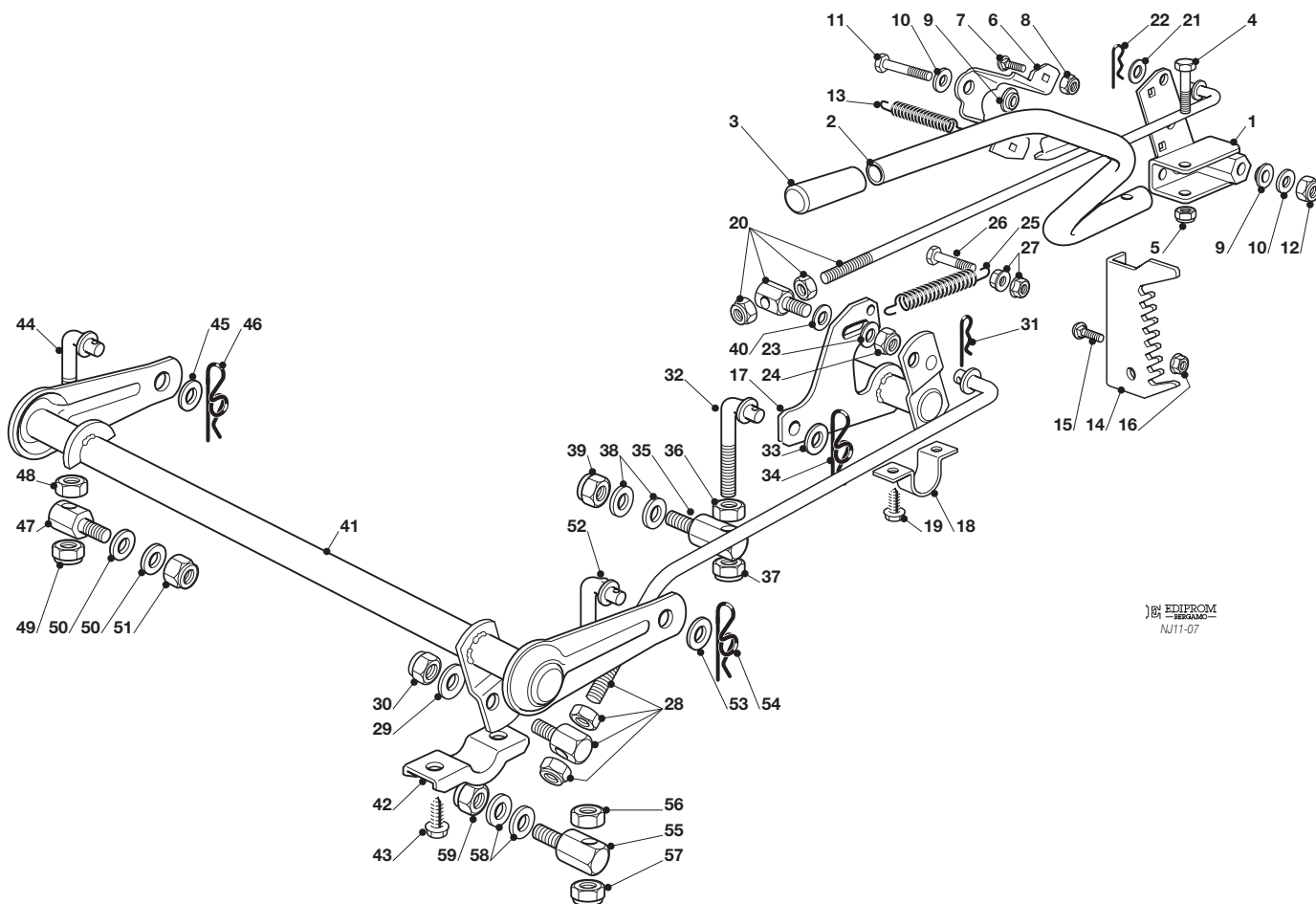


SOLLEVAMENTO PIATTO DI TAGLIO
CUTTING PLATE LIFTING
SOULEVEMENT PLATEAU DE COUPE
SCHNEIDWERKZEUG AUFHEBESATZ

2011

4007.0

1 / 2



EDIPROM
 NU11-07

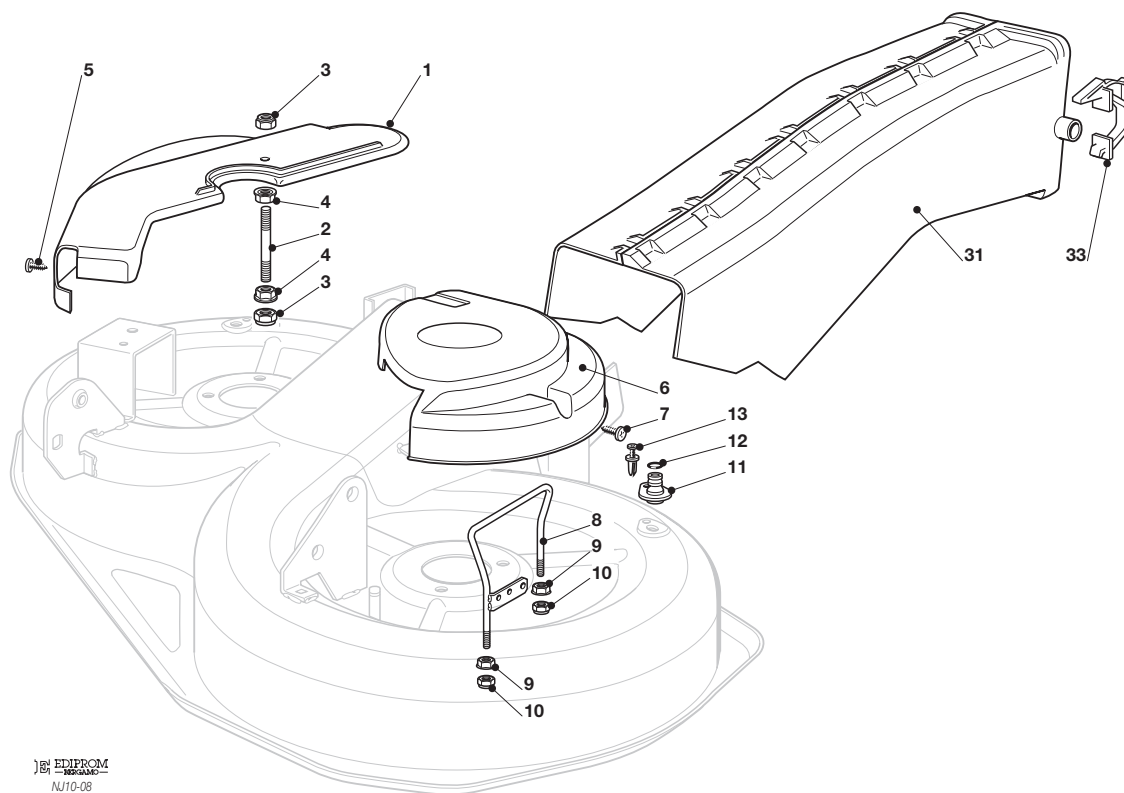
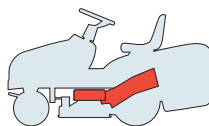
N.	CODE	Q.TY	DESCRIZIONE	DESCRIPTION	DESCRIPTION	BESCHREIBUNG
1	82774249/0	1	Staffa	Clamp	Bride	Bride
2	382318219/1	1	Leva	Lever	Levier	Hebel
3	25394508/0	1	Manopola	Knob	Poignee	Griff
4	12674700/0	1	Vite	Screw	Vis	Schraube
5	12154510/0	1	Dado	Nut	Ecrou	Mutter
6	25650113/0	1	Piastrina	Plate	Plaque	Platte
7	12818690/0	2	Vite	Screw	Vis	Schraube
8	12155000/0	2	Dado	Nut	Ecrou	Mutter
9	22041980/0	2	Distanziale	Spacer	Entretoise	Entfernungsstück
10	12523060/0	2	Rosetta	Washer	Rondelle	Scheibe
11	12691600/0	1	Vite	Screw	Vis	Schraube
12	12155000/0	1	Dado	Nut	Ecrou	Mutter
13	25430259/0	1	Molla	Spring	Ressort	Feder
14	25735511/0	1	Settore	Sector	Secteur	Sektor
15	12818690/0	2	Vite	Screw	Vis	Schraube
16	12293201/0	2	Dado	Nut	Ecrou	Mutter
17	82000387/0	1	Asse Sollevamento	Axle	Axe	Achse
18	325547041/1	2	Piastrina	Plate	Plaque	Platte
19	12731580/0	4	Vite	Screw	Vis	Schraube
20	382000618/0	1	Asta	Rod	Tige	Stab
21	25670011/0	1	Rosetta	Washer	Rondelle	Scheibe
22	24487998/0	1	Coppiglia	Cotter Pin	Goupille	Splint
23	12523040/0	1	Rosetta	Washer	Rondelle	Scheibe
24	12154210/0	1	Dado	Nut	Ecrou	Mutter
25	22446402/0	1	Molla	Spring	Ressort	Feder
26	12792410/0	1	Vite	Screw	Vis	Schraube
27	12292102/0	2	Dado	Nut	Ecrou	Mutter
28	82000537/0	1	Asta Collegamento	Connecting Rod	Tige De Connexion	Verbindungsstab
29	25670008/1	2	Rosetta	Washer	Rondelle	Scheibe
30	12156602/0	1	Dado	Nut	Ecrou	Mutter





N.	CODE	Q.TY	DESCRIZIONE	DESCRIPTION	DESCRIPTION	BESCHREIBUNG
31	24487998/0	1	Coppiglia	Cotter Pin	Goupille	Splint
32	25840025/0	1	Tirante	Tie Rod	Tirant	Spannstange
33	25670008/1	1	Rosetta	Washer	Rondelle	Scheibe
34	24487998/0	1	Coppiglia	Cotter Pin	Goupille	Splint
35	25510090/0	1	Perno	Pin	Pivot	Bolzen
36	12295200/0	1	Dado	Nut	Ecrou	Mutter
37	12156602/0	1	Dado	Nut	Ecrou	Mutter
38	25670008/1	2	Rosetta	Washer	Rondelle	Scheibe
39	12156602/0	1	Dado	Nut	Ecrou	Mutter
40	12521360/0	2	Rosetta	Washer	Rondelle	Scheibe
41	82000385/0	1	Asse Sollevamento	Axle	Axe	Achse
42	27546015/1	2	Piastrina	Plate	Plaque	Platte
43	12731350/0	4	Vite	Screw	Vis	Schraube
44	25840024/0	1	Tirante	Tie Rod	Tirant	Spannstange
45	25670008/1	1	Rosetta	Washer	Rondelle	Scheibe
46	24487998/0	1	Coppiglia	Cotter Pin	Goupille	Splint
47	25510098/0	1	Perno	Pin	Pivot	Bolzen
48	12295200/0	1	Dado	Nut	Ecrou	Mutter
49	12156602/0	1	Dado	Nut	Ecrou	Mutter
50	25670008/1	2	Rosetta	Washer	Rondelle	Scheibe
51	12156602/0	1	Dado	Nut	Ecrou	Mutter
52	25840025/0	1	Tirante	Tie Rod	Tirant	Spannstange
53	25670008/1	1	Rosetta	Washer	Rondelle	Scheibe
54	24487998/0	1	Coppiglia	Cotter Pin	Goupille	Splint
55	25510090/0	1	Perno	Pin	Pivot	Bolzen
56	12295200/0	1	Dado	Nut	Ecrou	Mutter
57	12156602/0	1	Dado	Nut	Ecrou	Mutter
58	25670008/1	2	Rosetta	Washer	Rondelle	Scheibe
59	12156602/0	1	Dado	Nut	Ecrou	Mutter

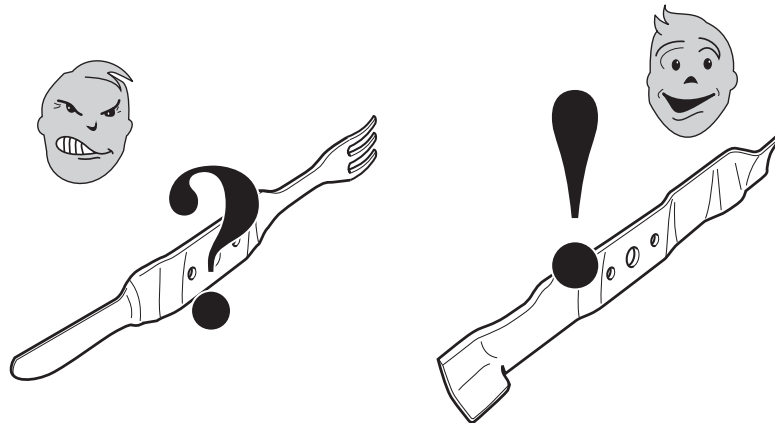




EDIPROM
 NU10-08

N.	CODE	Q.TY	DESCRIZIONE	DESCRIPTION	DESCRIPTION	BESCHREIBUNG
1	25060111/0	1	Carter	Case	Carter	Blech
2	25580007/0	1	Prigioniero	Stud Screw	Prisonnier	Stiftscheibe
3	12155000/0	2	Dado	Nut	Ecrou	Mutter
4	12293201/0	2	Dado	Nut	Ecrou	Mutter
5	12735110/0	2	Vite	Screw	Vis	Schraube
6	25060112/0	1	Carter	Case	Carter	Blech
7	12735110/0	2	Vite	Screw	Vis	Schraube
8	82270301/0	1	Guidacinghia	Belt Guide	Guide De Courroie	Riemenführung
9	12293201/0	2	Dado	Nut	Ecrou	Mutter
10	12155000/0	2	Dado	Nut	Ecrou	Mutter
11	25033060/0	2	Attacco Tubo Acqua	Water Hose Connection	Raccord Tuyau D'Eau	Wasseranschluss
12	19035000/0	2	Anello Or	O Ring	O Ring	O Ring
13	12500030/0	2	Rivetto	Rivet	Rivet	Niet
31	382108008/0	1	Convogliatore	Conveyor	Convoyeur	Blechsatz
33	25774373/0	2	Staffa	Clamp	Bride	Bride



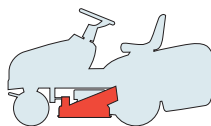


USARE SOLO RICAMBI ORIGINALI!
USE ONLY GENUINE SPARE PARTS!
UTILISER DES PIÈCES DE RECHANGE D'ORIGINE!
NUR ORIGINALERSATZTEILE VERWENDEN!

J JR JTP JB JX JS JU

N...92

N...92 hydro

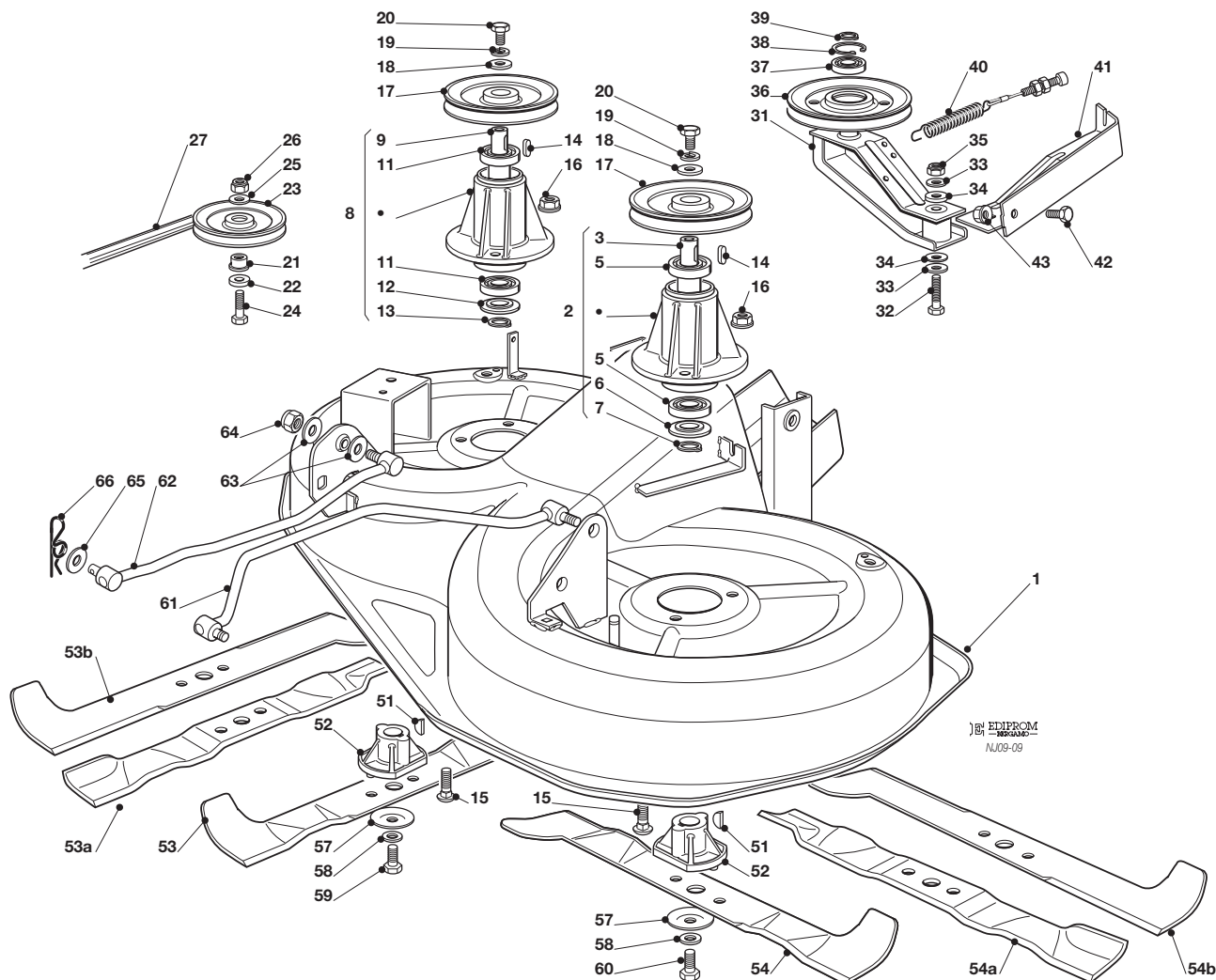


PIATTO DI TAGLIO
CUTTING PLATE
PLATEAU DE COUPE
SCHNEIDWERKZEUG

2011

4009.0

1 / 2



N.	CODE	Q.TY	DESCRIZIONE	DESCRIPTION	DESCRIPTION	BESCHREIBUNG
1	82564075/0	1	Piatto, Nero	Plate, Black	Plateau, Noir	Schneid, Schwarz
1	382564091/0	1	Piatto, Rosso	Plate, Red	Plateau, Rouge	Schneid, Rot
2	82207202/0	1	Ass. Flangia Sinistra (3÷7)	Left Flange Ass.Y (3÷7)	Ens. Bride Gauche (3÷7)	Linke Nabe, Komplett (3÷7)
3	25020802/0	1	Albero	Shaft	Arbre	Welle
5	119216047/0	2	Cuscinetto	Bearing	Roulement	Kuegellager
6	25160501/0	1	Disco Parapolvere	Dust Cover	Protege-Poussiere	Staubschuttscheibe
7	12609260/0	1	Seeger	Seeger	Seeger	Seeger
8	82207203/0	1	Ass. Flangia Destra (9÷13)	Right Flange Ass.Y (9÷13)	Ens. Bride Droite (9÷13)	Rechte Nabe, Komplett (9÷13)
9	25020803/0	1	Albero	Shaft	Arbre	Welle
11	119216047/0	2	Cuscinetto	Bearing	Roulement	Kuegellager
12	25160501/0	1	Disco Parapolvere	Dust Cover	Protege-Poussiere	Staubschuttscheibe
13	12609260/0	1	Seeger	Seeger	Seeger	Seeger
14	12139480/0	2	Linguetta	Feather	Clavette	Keil
15	12818700/0	6	Vite	Screw	Vis	Schraube
16	12154210/0	6	Dado	Nut	Ecrou	Mutter
17	25601563/0	2	Puleggia	Pulley	Poulie	Riemenscheibe
18	25670007/0	2	Rosetta	Washer	Rondelle	Scheibe
19	12583500/0	2	Grower	Grower	Grower	Grower
20	12793102/0	2	Vite	Screw	Vis	Schraube
21	25160007/0	1	Distanziale	Spacer	Entretoise	Entfernungsstück
22	25670007/0	1	Rosetta	Washer	Rondelle	Scheibe
23	25601555/0	1	Puleggia	Pulley	Poulie	Riemenscheibe
24	12691115/0	1	Vite	Screw	Vis	Schraube
25	12523060/0	1	Rosetta	Washer	Rondelle	Scheibe
26	12155000/0	1	Dado	Nut	Ecrou	Mutter
27	35065701/0	1	Cinghia	Belt	Courroire	Keilriemen
31	82318141/2	1	Leva	Lever	Levier	Hebel
32	12691700/0	1	Vite	Screw	Vis	Schraube





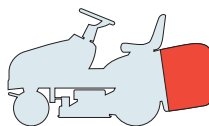
N.	CODE	Q.TY	DESCRIZIONE	DESCRIPTION	DESCRIPTION	BESCHREIBUNG
33	12523070/0	2	Rosetta	Washer	Rondelle	Scheibe
34	22672152/0	2	Rosetta	Washer	Rondelle	Scheibe
35	12155000/0	1	Dado	Nut	Ecrou	Mutter
36	25601564/0	1	Puleggia	Pulley	Poulie	Riemenscheibe
37	119216048/0	1	Cuscinetto	Bearing	Roulement	Kuegellager
38	12610800/0	1	Anello Elastico	Snap Ring	Anneau Ressort	Sprengring
39	12609200/0	1	Seeger	Seeger	Seeger	Seeger
40	82004618/0	1	Filo	Wire	Fil	Kabel
41	382774215/3	1	Staffa	Clamp	Bride	Bride
42	12792611/0	1	Vite	Screw	Vis	Schraube
43	12293201/0	1	Dado	Nut	Ecrou	Mutter
51	12139100/0	2	Linguetta	Feather	Clavette	Keil
52	25463200/0	2	Mozzo Coltello	Blade Hub	Moyeu Lame	Messerhalter
53	82004352/0	1	Coltello Destro Mulching	Right Blade Mulching	Lame Droite Mulching	Rechter Messer Mulching
53a	82004354/0	1	Coltello Destro Mulching, Alettato	Right Blade Mulching, Winged	Lame Droite Mulching, Aillettee	Rechter Messer Mulching, Flügel
53b	82004345/1	1	Coltello Destro, Alettato	Right Blade, Winged	Lame Droite, Aillettee	Rechter Messer, Flügel
54	81004346/3	1	Coltello Sinistro Mulching	Left Blade Mulching	Lame Gauche Mulching	Linker Messer Mulching
54a	82004353/0	1	Coltello Sinist. Mulching, Alettato	Left Blade Mulching, Winged	Lame Gauche Mulching, Aillettee	Linker Messer Mulching, Flügel
54b	82004344/1	1	Coltello Sinistro, Alettato	Left Blade, Winged	Lame Gauche, Aillettee	Linker Messer, Flügel
57	22160400/0	2	Disco Parapolvere	Dust Cover	Protege-Poussiere	Staubschutscheibe
58	12523080/0	2	Rosetta	Washer	Rondelle	Scheibe
59	12735695/1	1	Vite	Screw	Vis	Schraube
60	12735694/0	1	Vite	Screw	Vis	Schraube
61	82000535/0	1	Asta Bilanciere	Equalizer Rod	Tige Balancier	Kipphebel
62	82000533/0	1	Asta Bilanciere	Equalizer Rod	Tige Balancier	Kipphebel
63	25670008/1	4	Rosetta	Washer	Rondelle	Scheibe
64	12156602/0	2	Dado	Nut	Ecrou	Mutter
65	25670008/1	2	Rosetta	Washer	Rondelle	Scheibe
66	24487998/0	2	Coppiglia	Cotter Pin	Goupille	Splint



J JR JTP JB JX JS JU

N...92

N...92 hydro

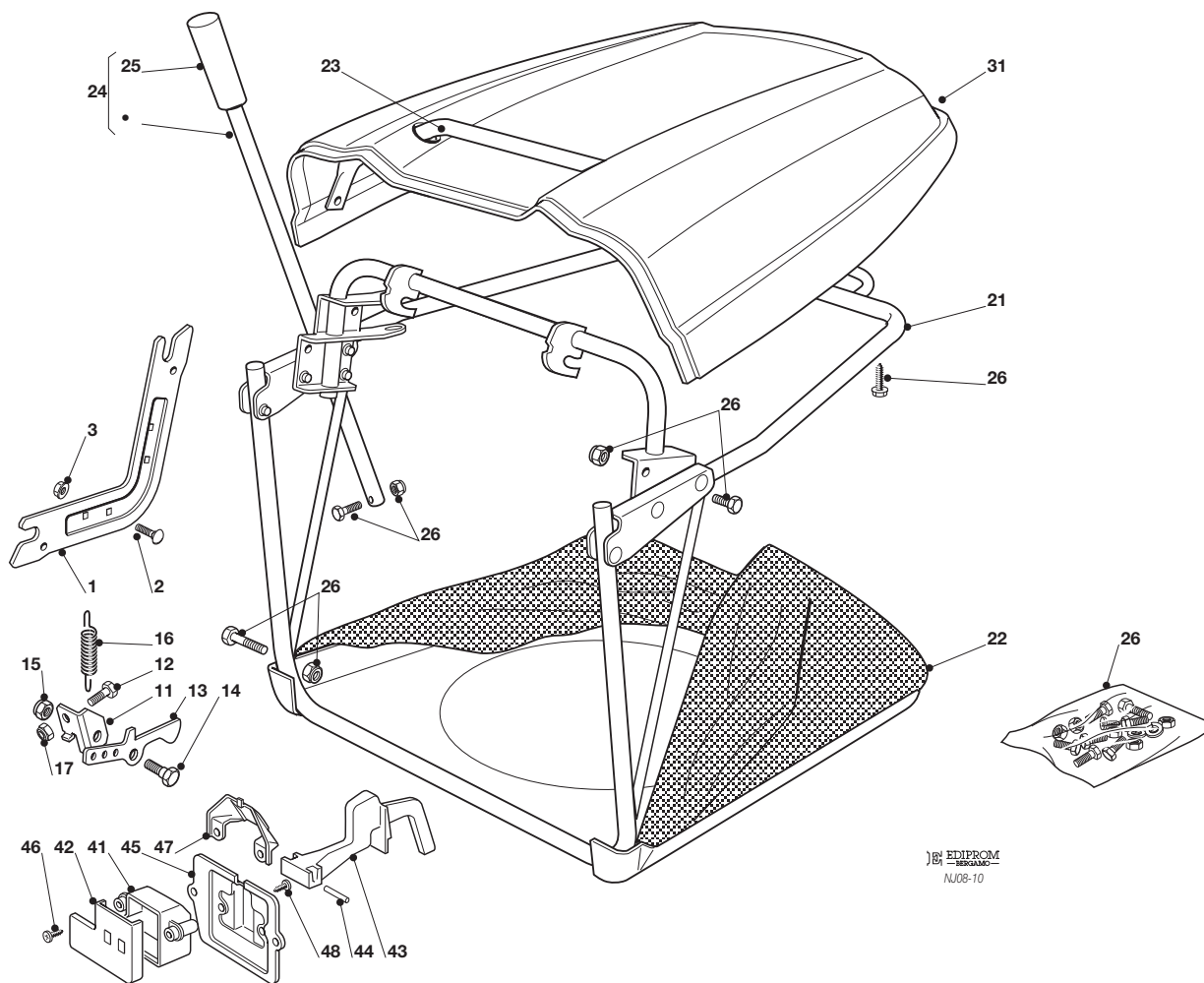


**SACCO
GRASSCATCHER
BAC
AUFFANGSACK
Type "HE"**

2011

4010.0

1 / 1



EDIPROM
REGALMO
N.008-10

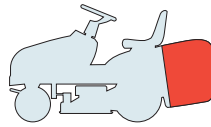
N.	CODE	Q.TY	DESCRIZIONE	DESCRIPTION	DESCRIPTION	BESCHREIBUNG
1	25785275/0	2	Supporto	Support	Support	Halter
2	12818690/0	4	Vite	Screw	Vis	Schraube
3	12293201/0	4	Dado	Nut	Ecrou	Mutter
11	325755031/1	1	Squadretta	Bracket	Equerre-Support	Winkel
12	12789000/0	1	Vite	Screw	Vis	Schraube
13	325774315/1	1	Staffa	Bracket	Etrier	Bride
14	125510080/1	1	Perno	Pin	Pivot	Bolzen
15	12292102/0	1	Dado	Nut	Ecrou	Mutter
16	22450432/0	1	Molla	Spring	Ressort	Feder
17	12154330/0	1	Dado	Nut	Ecrou	Mutter
21	82800111/0	1	Telaio Bocca Sacco	Front Frame	Chassis Avant	Vorderrahmen
22	82105973/0	1	Confezione Sacco	Grasscatcher	Bac	Sack
23	82394003/0	1	Maniglia Anteriore	Front Handle	Poignee Anterieure	Vordergriff
24	82869023/0	1	Tubo	Rod	Tige	Stange
25	25394508/0	1	Manopola	Handle	Poingee	Griff
26	82180048/0	1	Dotazione Viteria	Screws Outfit	Ensemble Des Vis	Schraubenausrüstung
31	25110320/0	1	Copertura Sacco, Rosso	Grass-Catcher Cover, Red	Couvre-Bac, Rouge	Sackkappe, Rot
31	25110342/0	1	Copertura Sacco, Grigio	Grass-Catcher Cover, Grey	Couvre-Bac, Gris	Sackkappe, Grau
31	325110413/0	1	Copertura Sacco, Nero	Grass-Catcher Cover, Black	Couvre-Bac, Noire	Sackkappe, Schwarz
41	25600041/0	1	Protezione Micro	Micro Protection	Protection Micro	Schutz
42	25600042/0	1	Coperchio Protezione	Protection Cover	Couvercle Protection	Schutzdeckel
43	25318124/0	1	Leva	Lever	Lever	Hebel
44	12400030/0	1	Spina	Pin	Goupille	Stift
45	25785272/0	1	Protezione Micro	Micro Protection	Protection Micro	Schutz
46	12728510/0	1	Vite	Screw	Vis	Schraube
47	25600048/0	1	Coperchio Protezione	Protection Cover	Couvercle Protection	Schutzdeckel
48	12735110/0	2	Vite	Screw	Vis	Schraube



J JR JTP JB JX JS JU

N...92

N...92 hydro

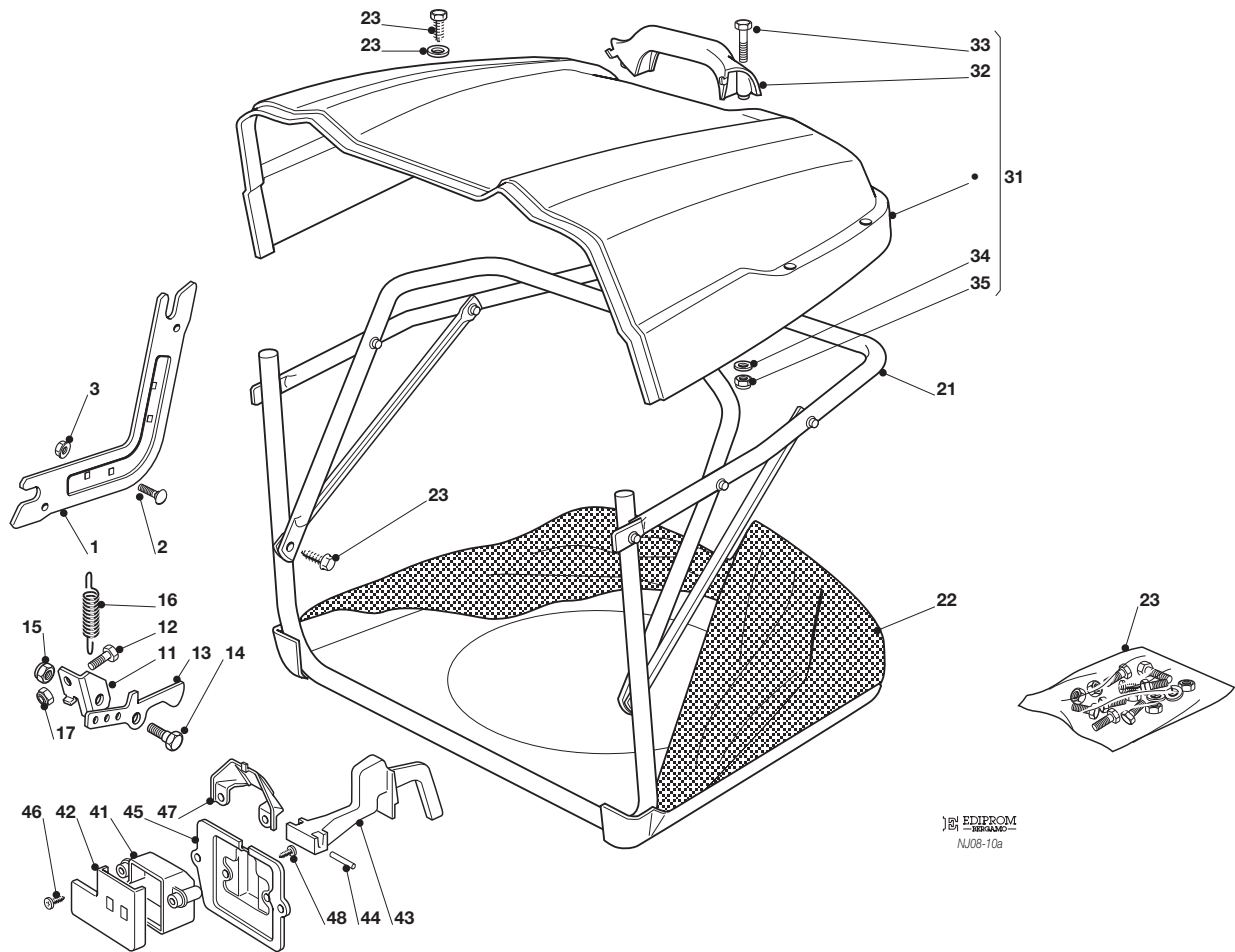


**SACCO
GRASSCATCHER
BAC
AUFFANGSACK
Type "LE"**

2011

4010a.0

1 / 1



EDIPROM
NJ08-10a

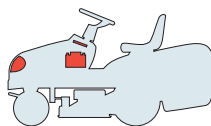
N.	CODE	Q.TY	DESCRIZIONE	DESCRIPTION	DESCRIPTION	BESCHREIBUNG
1	25785277/0	2	Supporto	Support	Support	Halter
2	12293201/0	4	Dado	Nut	Ecrou	Mutter
3	12818690/0	4	Vite	Screw	Vis	Schraube
11	325755031/1	1	Squadretta	Bracket	Equerre-Support	Winkel
12	12789000/0	1	Vite	Screw	Vis	Schraube
13	325774315/1	1	Staffa	Bracket	Etrier	Bride
14	125510080/1	1	Perno	Pin	Pivot	Bolzen
15	12292102/0	1	Dado	Nut	Ecrou	Mutter
16	22450432/0	1	Molla	Spring	Ressort	Feder
17	12154330/0	1	Dado	Nut	Ecrou	Mutter
21	82800110/0	1	Telaio Bocca Sacco	Front Frame	Chassis Avant	Vorderrahmen
22	82105974/0	1	Confezione Sacco	Grasscatcher	Bac	Sack
23	82180047/0	1	Dotazione Viteria	Screws Outfit	Ensemble Des Vis	Schraubenausüstung
31	82110273/0	1	Copertura Sacco, Nero	Grass-Catcher Cover, Black	Couvre-Bac, Noir	Sackkappe, Schwarz
32	27394000/0	1	Maniglia	Handle	Poignee	Griff
33	12789020/0	2	Vite	Screw	Vis	Schraube
34	12523020/0	2	Rosetta	Washer	Rondelle	Scheibe
35	12154330/0	2	Dado	Nut	Ecrou	Mutter
41	25600041/0	1	Protezione Micro	Micro Protection	Protection Micro	Schutz
42	25600042/0	1	Coperchio Protezione	Protection Cover	Couvercle Protection	Schutzdeckel
43	25318124/0	1	Leva	Lever	Levier	Hebel
44	12400030/0	1	Spina	Pin	Goupille	Stift
45	25785272/0	1	Protezione Micro	Micro Protection	Protection Micro	Schutz
46	12728510/0	1	Vite	Screw	Vis	Schraube
47	25600048/0	1	Coperchio Protezione	Protection Cover	Couvercle Protection	Schutzdeckel
48	12735110/0	2	Vite	Screw	Vis	Schraube



J JR JTP JB JX JS JU

N...92

N...92 hydro

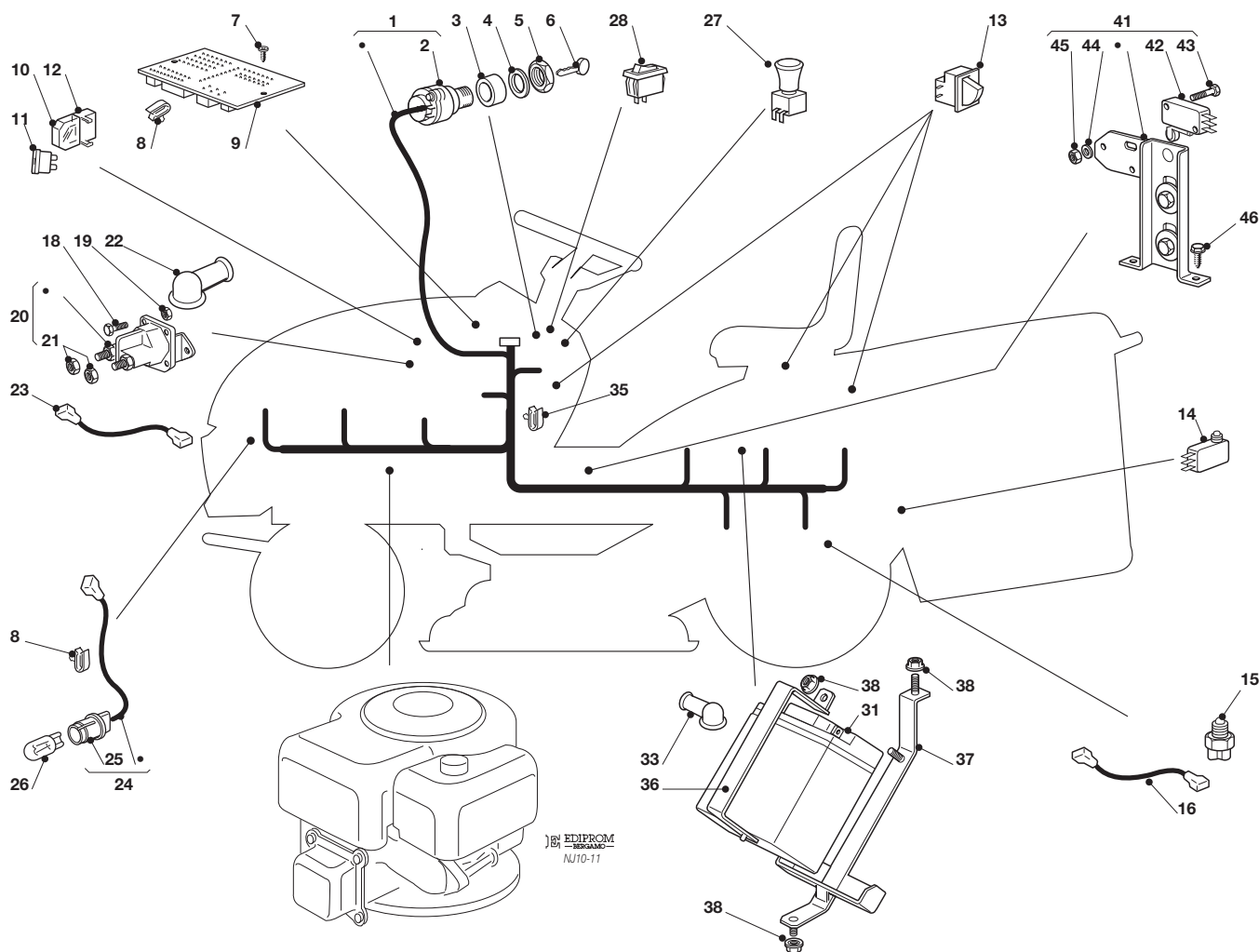


PARTI ELETTRICHE
ELECTRICAL PARTS
PARTIES ELECTRIQUES
ELETRISCHE TEILE
B&S - KOHLER - GGP

2011

4011.0

1 / 2



N.	CODE	Q.TY	DESCRIZIONE	DESCRIPTION	DESCRIPTION	BESCHREIBUNG
1	182040153/0	1	Cablaggio	Cables Ass.Y	Ens. Cablages	Kabelsatz
2	18450072/0	1	Interruttore Avviam.	Starting Switch	Interrupteur Demarr.	Schalter
3	18550136/0	1	Distanziale	Spacer	Entretoise	Distanring
4	18550135/0	1	Rondella	Washer	Rondelle	Scheibe
5	18400862/0	1	Ghiera	Ringnut	Embout	Nutmutter
6	18210022/0	1	Chiave Avviamento	Starting Key	Clef A Demarrage	Schlüssel Für Start
7	12727810/0	3	Vite	Screw	Vis	Schraube
8	33320506/0	2	Fermacavo	Fairlead	Fixation Cable	Kabelbefestigung
9	125722430/1	1	Scheda Elettronica (1 Led)	Electronic Card (1 Led)	Carte Electronique (1 Led)	Elektronische Karte (1 Led)
9	125722431/0	1	Scheda Elettronica (6 Led)	Electronic Card (6 Led)	Carte Electronique (6 Led)	Elektronische Karte (6 Led)
10	33215000/0	2	Coperchio	Cover	Couvercle	Deckel
11	33340040/0	1	Fusibile 10 A	Fuse 10 A	Fusible 10 A	Sicherung 10 A
11	33340036/0	1	Fusibile 25 A	Fuse 25 A	Fusible 25 A	Sicherung 25 A
12	33500007/0	2	Portafusibile	Fuse Carrier	Tableau De Fusible	Sicherungshalter
13	119410615/0	3	Micro Interruttore	Micro	Micro	Mikro
14	19410605/1	1	Micro Sacco Pieno	Full Grasscat. Microsw.	Micro Bac Plein	Vollkorb Vorrichtung
15	19410610/0	1	Micro Folle (Mecc.)	Neutral Switch (Mech.)	Micro. Point Mort (Mec.)	Leerlauf Mikrosch.(Mech.)
16	25065026/0	1	Cabl. Micro Folle (Mecc.)	Cable (Mech.)	Cables (Mec.)	Kabel (Mech.)
18	12791213/1	2	Vite	Screw	Vis	Schraube
19	12292102/0	2	Dado	Nut	Ecrou	Mutter
20	18736110/0	1	Relé Avviamento	Starter Relay	Relais D'Allumage	Anlassrelais
21	12360352/0	2	Dado	Nut	Ecrou	Mutter
22	18564864/1	1	Cappuccio	Protection	Capuchon	Stecker
23	25065017/0	1	Cavo Relé Avv.	Cable	Cable	Kabel
24	82040070/0	1	Cablaggio Lampade	Cable	Cables	Kabel
24	82040073/0	1	Cablaggio Lampade (Jx-Js)	Cable (Jx-Js)	Cables (Jx-Js)	Kabel (Jx-Js)
25	33500030/0	2	Porta lampada	Lamp Holder	Douille De Lampe	Scheinwerferlampe
26	18459100/0	2	Lampada	Farilamp For Lights	Lampe Pour Phares	Lampenfassung
27	18450068/0	1	Interruttore Frizione	Clutch Switch	Interrupteur Embrajage	Kupplung Schalter
28	18450060/1	1	Interruttore	Farilamp Switch	Interrupteur Phares	Lichten Schalter





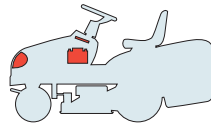
N.	CODE	Q.TY	DESCRIZIONE	DESCRIPTION	DESCRIPTION	BESCHREIBUNG
31	18120002/1	1	Batteria	Battery	Batterie	Batterie
33	18564861/1	1	Cappuccio	Protection	Capuchon	Stecker
35	33320506/0	9	Fermacavo	Fairled	Fixation Cable	Kabelbefestigung
36	27772099/1	1	Staffa	Clamp	Etrier	Bride
37	382785191/0	1	Supporto Batteria	Battery Support	Support Batterie	Batterie Halter
38	12155000/0	3	Dado	Nut	Ecrou	Mutter
41	382394853/0	1	Ass. Micro (Hydro)	Switch Ass.Y (Hydro)	Micro. Ens. (Hydro)	Mikrosatz (Hydro)
42	19410609/0	1	Micro Folle (Hydro)	Neutral Switch (Hydro)	Micro. Point Mort (Hydro)	Leerlauf Mikrosch. (Hydro)
43	12735602/0	2	Vite	Screw	Vis	Schraube
44	12581100/0	2	Grower	Grower	Grower	Grower
45	12290791/0	2	Dado	Nut	Ecrou	Mutter
46	12735110/0	2	Vite	Screw	Vis	Schraube



J JR JTP JB JX JS JU

N...92

N...92 hydro

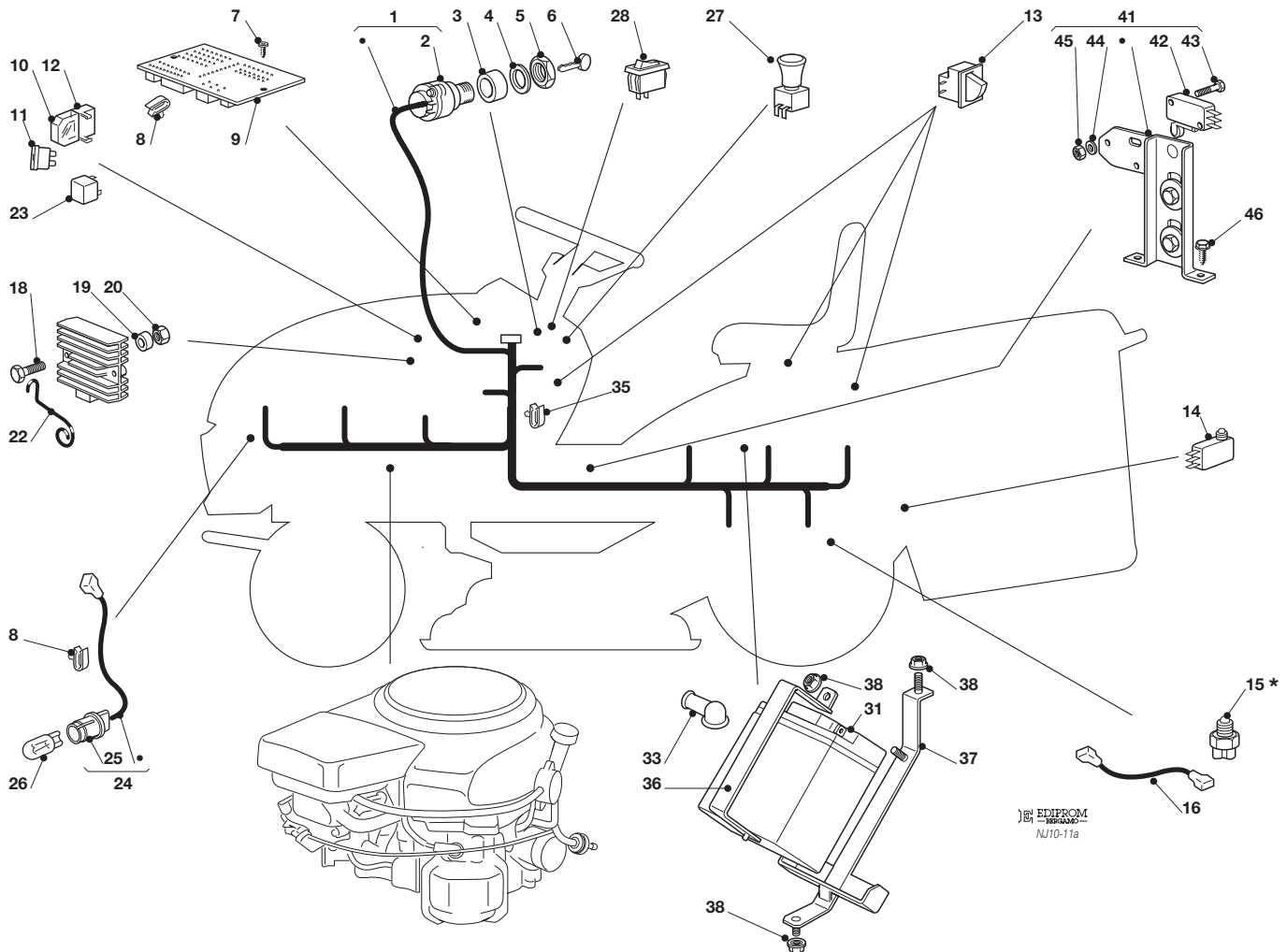


**PARTI ELETTRICHE
ELECTRICAL PARTS
PARTIES ELECTRIQUES
ELETRISCHETEILE
HONDA**

2011

4011a.0

1 / 2



N.	CODE	Q.TY	DESCRIZIONE	DESCRIPTION	DESCRIPTION	BESCHREIBUNG
1	182040154/0	1	Cablaggio	Cables Ass.Y	Ens. Cablages	Kabelsatz
2	18450072/0	1	Interruttore Avviam.	Starting Switch	Interrupteur Demarr.	Schalter
3	18550136/0	1	Distanziale	Spacer	Entretoise	Distanring
4	18550135/0	1	Rondella	Washer	Rondelle	Scheibe
5	18400862/0	1	Ghiera	Ringnut	Embout	Nutmutter
6	18210022/0	1	Chiave Avviamento	Starting Key	Clef A Demarrage	Schlüssel Für Start
7	12727810/0	3	Vite	Screw	Vis	Schraube
8	33320506/0	2	Fermacavo	Fairlead	Fixation Cable	Kabelbefestigung
9	125722430/1	1	Scheda Elettronica (1 Led)	Electronic Card (1 Led)	Carte Electronique (1 Led)	Elektronische Karte (1 Led)
9	125722431/0	1	Scheda Elettronica (6 Led)	Electronic Card (6 Led)	Carte Electronique (6 Led)	Elektronische Karte (6 Led)
10	33215000/0	2	Coperchio	Cover	Couvercle	Deckel
11	33340040/0	1	Fusibile 10 A	Fuse 10 A	Fusible 10 A	Sicherung 10 A
11	33340036/0	1	Fusibile 25 A	Fuse 25 A	Fusible 25 A	Sicherung 25 A
12	33500007/0	2	Portafusibile	Fuse Carrier	Tableau De Fusible	Sicherunghalter
13	119410615/0	3	Micro Interruttore	Micro	Micro	Mikro
14	19410605/1	1	Micro Sacco Pieno	Full Grasscat. Microsw.	Micro Bac Plein	Vollkorb Vorrichtung
15	19410610/0	1	Micro Folle (Mecc.)	Neutral Switch (Mech.)	Micro. Point Mort (Mec.)	Leerlauf Mikrosch.(Mech.)
16	25065026/0	1	Cabl. Micro Folle (Mecc.)	Cable (Mech.)	Cables (Mec.)	Kabel (Mech.)
18	12815221/0	2	Vite	Screw	Vis	Schraube
19	22170950/0	2	Distanziale	Spacer	Entretoise	Entfernungsstück
20	12292102/0	2	Dado	Nut	Ecrou	Mutter
22	27430561/0	1	Molla	Spring	Ressort	Feder
23	33567000/0	1	Rele'	Relay	Relais	Relais
24	82040070/0	1	Cablaggio Lampade	Cable	Cables	Kabel
24	82040073/0	1	Cablaggio Lampade (Jx-Js)	Cable (Jx-Js)	Cables (Jx-Js)	Kabel (Jx-Js)
25	33500030/0	2	Portalampe	Lamp Holder	Douille De Lampe	Scheinwerferlampe
26	18459100/0	2	Lampada	Farilamp For Lights	Lampe Pour Phares	Lampenfassung
27	18450068/0	1	Interruttore Frizione	Clutch Switch	Interrupteur Embrajage	Kupplung Schalter
28	18450060/1	1	Interruttore	Farilamp Switch	Interrupteur Phares	Lichten Schalter





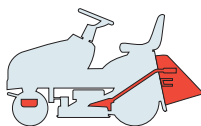
N.	CODE	Q.TY	DESCRIZIONE	DESCRIPTION	DESCRIPTION	BESCHREIBUNG
31	18120002/1	1	Batteria	Battery	Batterie	Batterie
33	18564861/1	1	Cappuccio	Protection	Capuchon	Stecker
35	33320506/0	9	Fermacavo	Fairled	Fixation Cable	Kabelbefestigung
36	27772099/1	1	Staffa	Clamp	Etrier	Bride
37	382785191/0	1	Supporto Batteria	Battery Support	Support Batterie	Batterie Halter
38	12155000/0	3	Dado	Nut	Ecrou	Mutter
41	382394853/0	1	Ass. Micro (Hydro)	Switch Ass.Y (Hydro)	Micro. Ens. (Hydro)	Mikrosatz (Hydro)
42	19410609/0	1	Micro Folle (Hydro)	Neutral Switch (Hydro)	Micro. Point Mort (Hydro)	Leerlauf Mikrosch. (Hydro)
43	12735602/0	2	Vite	Screw	Vis	Schraube
44	12581100/0	2	Grower	Grower	Grower	Grower
45	12290791/0	2	Dado	Nut	Ecrou	Mutter
46	12735110/0	2	Vite	Screw	Vis	Schraube



J JR JTP JB JX JS JU

N...92

N...92 hydro

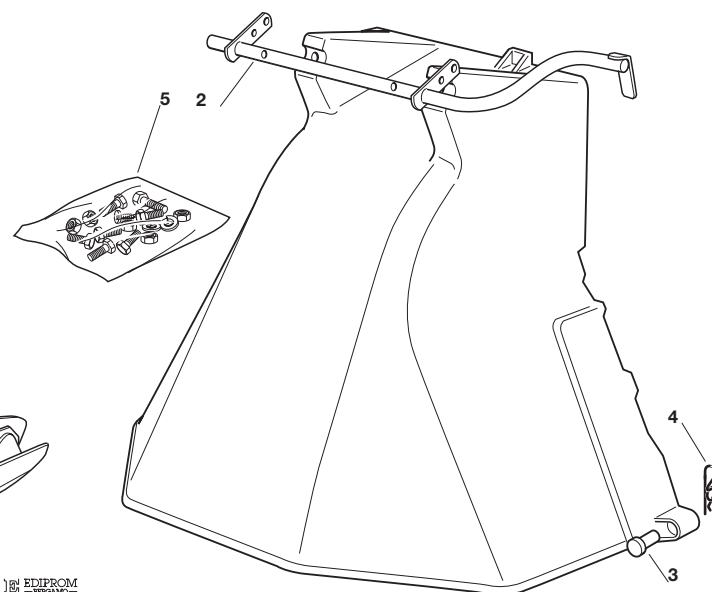
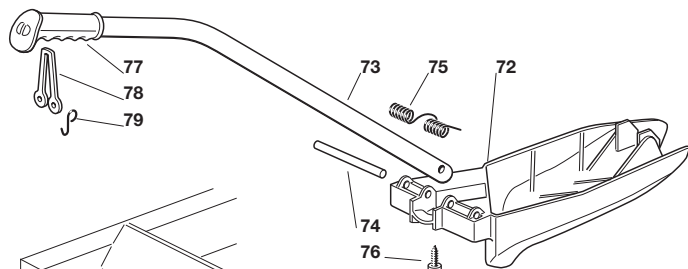
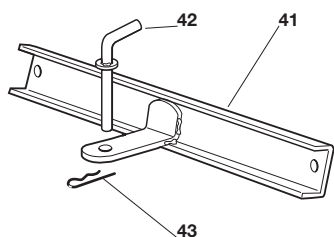


ACCESSORI A RICHIESTA
 OPTIONALS ON REQUEST
 ACCESSOIRES SUR DEMANDE
 ZUBEHOERE NACH ANFRAGE

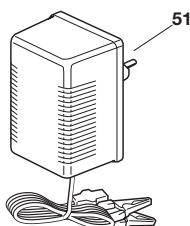
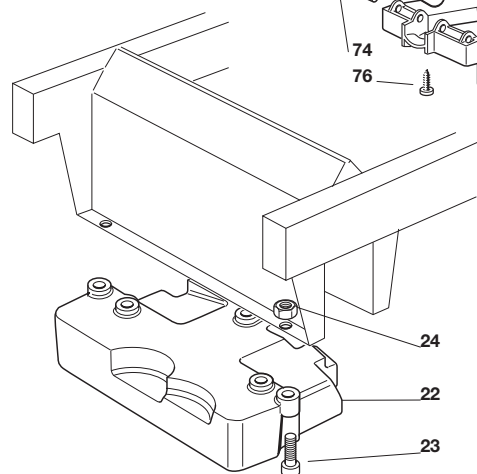
2011

4012.0

1 / 1

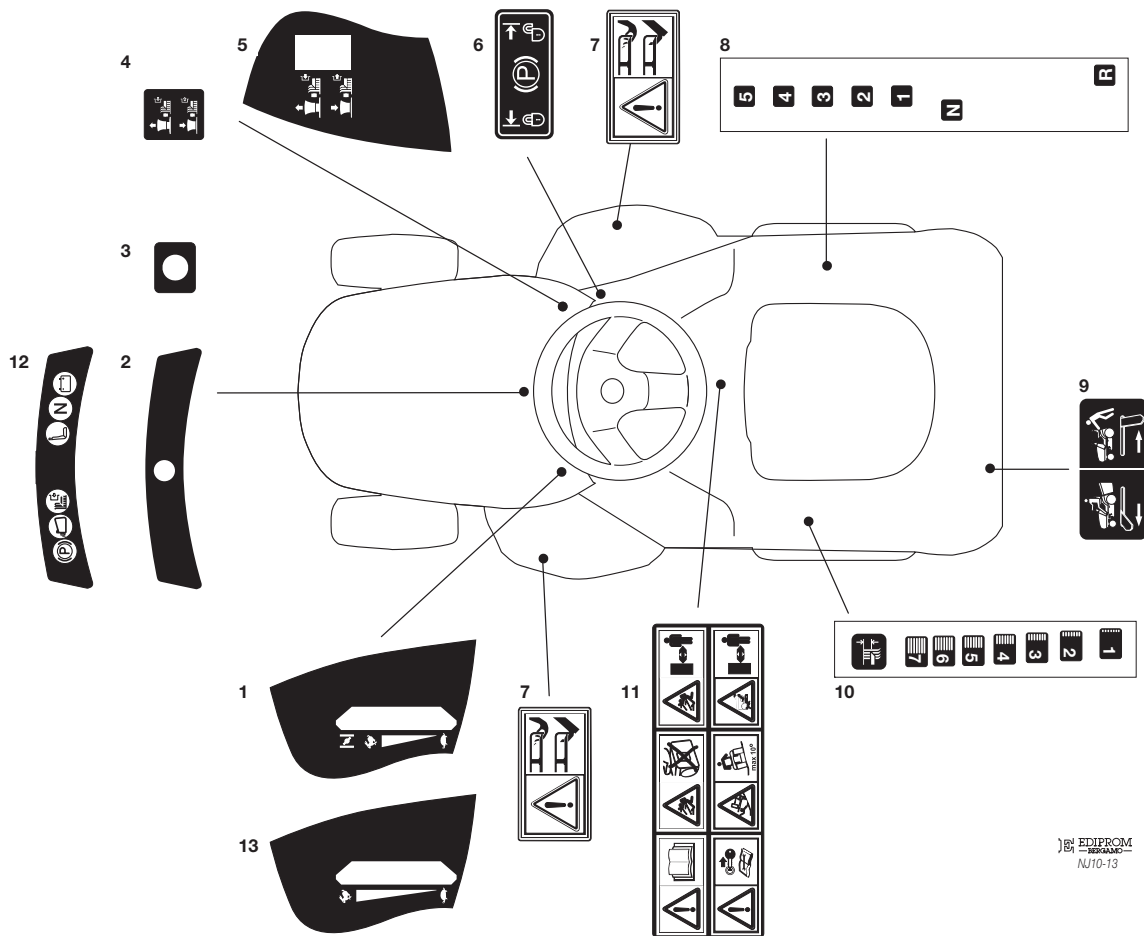
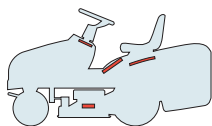


EDIPROM
 0884106
 NJ08-12



N.	CODE	Q.TY	DESCRIZIONE	DESCRIPTION	DESCRIPTION	BESCHREIBUNG
2	82869035/0	1	Tubo Di Aggancio	Support	Sopport	Halter
3	25510022/0	2	Perno	Pin	Pivot	Bolzen
4	24487998/0	2	Coppiglia+I40	Cotter Pin	Goupille	Splint
5	82180062/0	1	Dotazione Viteria	Screws Outfit	Ensemble Des Vis	Schraubenausrüstung
22	25519997/1	1	Peso	Weight	Poids	Gewicht
23	12760520/0	3	Vite	Screw	Vis	Schraube
24	12155000/0	3	Dado	Nut	Ecrou	Mutter
42	25510021/1	1	Perno	Pin	Pivot	Bolzen
43	24487999/0	1	Coppiglia	Cotter Pin	Goupille	Splin
51	182180090/0	1	Carica Batterie	Battery Charger	Chargeur De Batteries	Batterieladegerät
51	182180091/0	1	Carica Batterie (U.K.)	Battery Charger (U.K.)	Chargeur De Batteries (U.K.)	Batterieladegerät (U.K.)
72	25140093/0	1	Deflettore	Deflector	Deflecteur	Abweiser
73	25394007/0	1	Manico	Handle	Guidon	Stiel
74	25510077/0	1	Perno	Pin	Pivot	Bolzen
75	25430245/0	1	Molla	Spring	Ressort	Feder
76	12735410/0	1	Vite	Screw	Vis	Schraube
77	25280000/1	1	Impugnatura	Handgrip	Branche	Griff
78	25840011/1	1	Tirante In Gomma	Elastic Tie-Rod	Tirant Elastique	Elastische Zugstäbe
79	25253004/0	2	Gancio	Hook	Crochet	Haken





EDIPROM
NU10-13

N.	CODE	Q.TY	DESCRIZIONE	DESCRIPTION	DESCRIPTION	BESCHREIBUNG
1	14361440/0	1	Etichetta	Label	Etiquette	Klebzettel
2	25420019/0	1	Etichetta	Label	Etiquette	Klebzettel
3	25420018/0	1	Etichetta	Label	Etiquette	Klebzettel
4	14361438/0	1	Etichetta	Label	Etiquette	Klebzettel
5	14361439/0	1	Etichetta	Label	Etiquette	Klebzettel
6	14361452/0	1	Etichetta	Label	Etiquette	Klebzettel
7	114356699/1	2	Etichetta	Label	Etiquette	Klebzettel
8	14361447/0	1	Etichetta (Mecc.)	Label (Mech.)	Etiquette (Mec.)	Klebzettel (Mech.)
9	14361451/0	1	Etichetta (Hydro)	Label (Hydro)	Etiquette (Hydro)	Klebzettel (Hydro)
10	14361441/0	1	Etichetta	Label	Etiquette	Klebzettel
11	14361553/0	1	Etichetta	Label	Etiquette	Klebzettel
12	125420020/0	1	Etichetta	Label	Etiquette	Klebzettel
13	114364616/0	1	Etichetta (Honda Gxv 390)	Label (Honda Gxv 390)	Etiquette (Honda Gxv 390)	Klebzettel (Honda Gxv 390)

