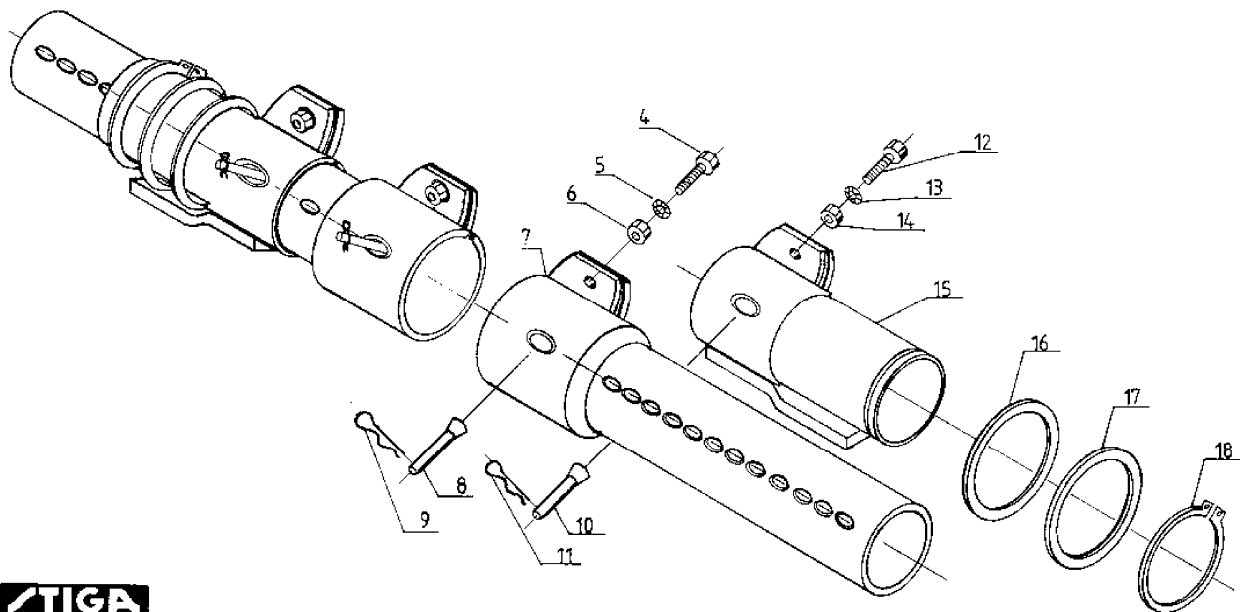


test



Section: WHEEL EXTENSION ART.NO 14-1924-11

Pos.	Quantity	Spare part No	Description	Kit	Notes	New
------	----------	---------------	-------------	-----	-------	-----

1924

		..14-1924-11	Extension shafts as			
4	2	9997-0835-12	Screw			
5	2	9677-0009-02	Lock washer			
6	2	9799-0831-02	Nut			
7	2	1489-0461-01	Extension tube			
8	2	1482-0092-00	Pin			
9	2	9598-0002-02	Pin lock			
10	2	1482-0092-00	Pin			
11	2	9598-0002-02	Pin lock			
12	2	9997-0835-12	Screw			
13	2	9677-0009-02	Lock washer			
14	2	9799-0831-02	Nut			
15	2	1489-0450-01	Tube			
16	2	1489-0311-01	Washer			
17	2	1489-0311-01	Washer			
18	2	9650-0038-04	Lock ring			

test