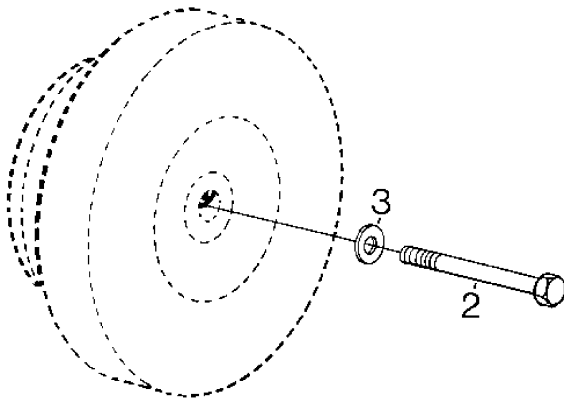
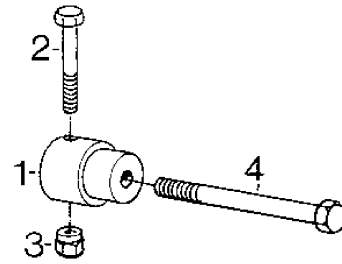


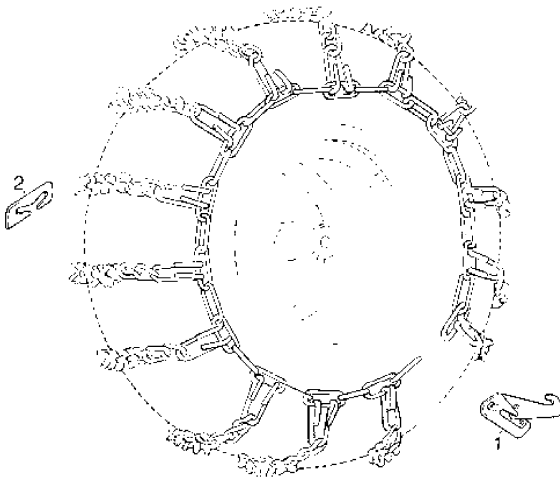
13-1940-11



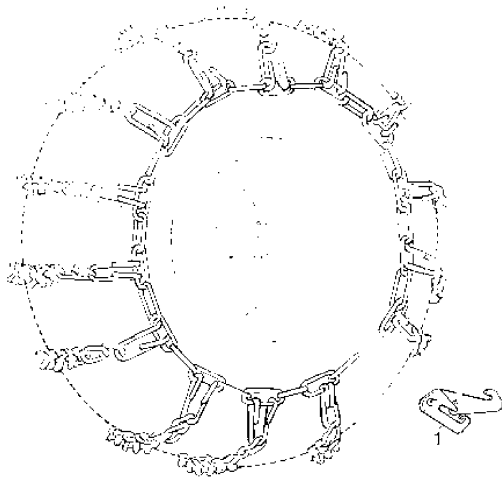
13-1938-11



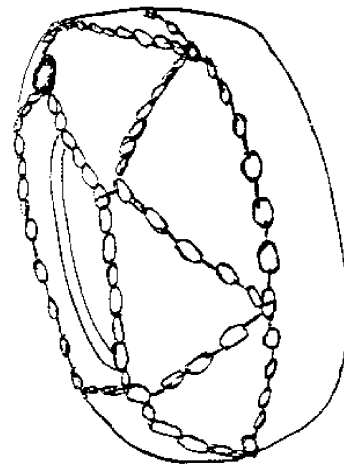
13-1956-11



13-1920-11



13-1947-11



## Section: WHEEL WEIGHTS ADAPTER SNOW CHAINS

Pos.	Quantity	Spare part No	Description	Kit	Notes	New
------	----------	---------------	-------------	-----	-------	-----

	1940	1938	1956	1947	1920
--	------	------	------	------	------

A0					..13-1940-11	Wheel weight assy		
A2	1				9997-1090-12	.Screw		
A3	1				9699-0035-02	.Flat washer		
B0					..13-1938-11	Adapter assy		
B1		2			1134-2675-01	.Sleeve		
B2		2			1134-2676-01	.Screw		
B3		2			9743-3721-32	.Nut		
B4		2			9997-1011-02	.Screw	L = 110 mm	
C0					..13-1956-11	Snow chains assy	Park	
C1			2		1134-1363-01	.Chain lock		
C2			2		1134-2743-01	.Chain link		
D0					..13-1920-11	Tire chains assy	Villa 16 x 6.50-8	
D1				2	1134-1363-01	.Chain lock		
E0					..13-1947-11	Snow chains assy	Villa 16 x 7.50-8	
E1				2	1134-1363-01	.Chain lock		

test