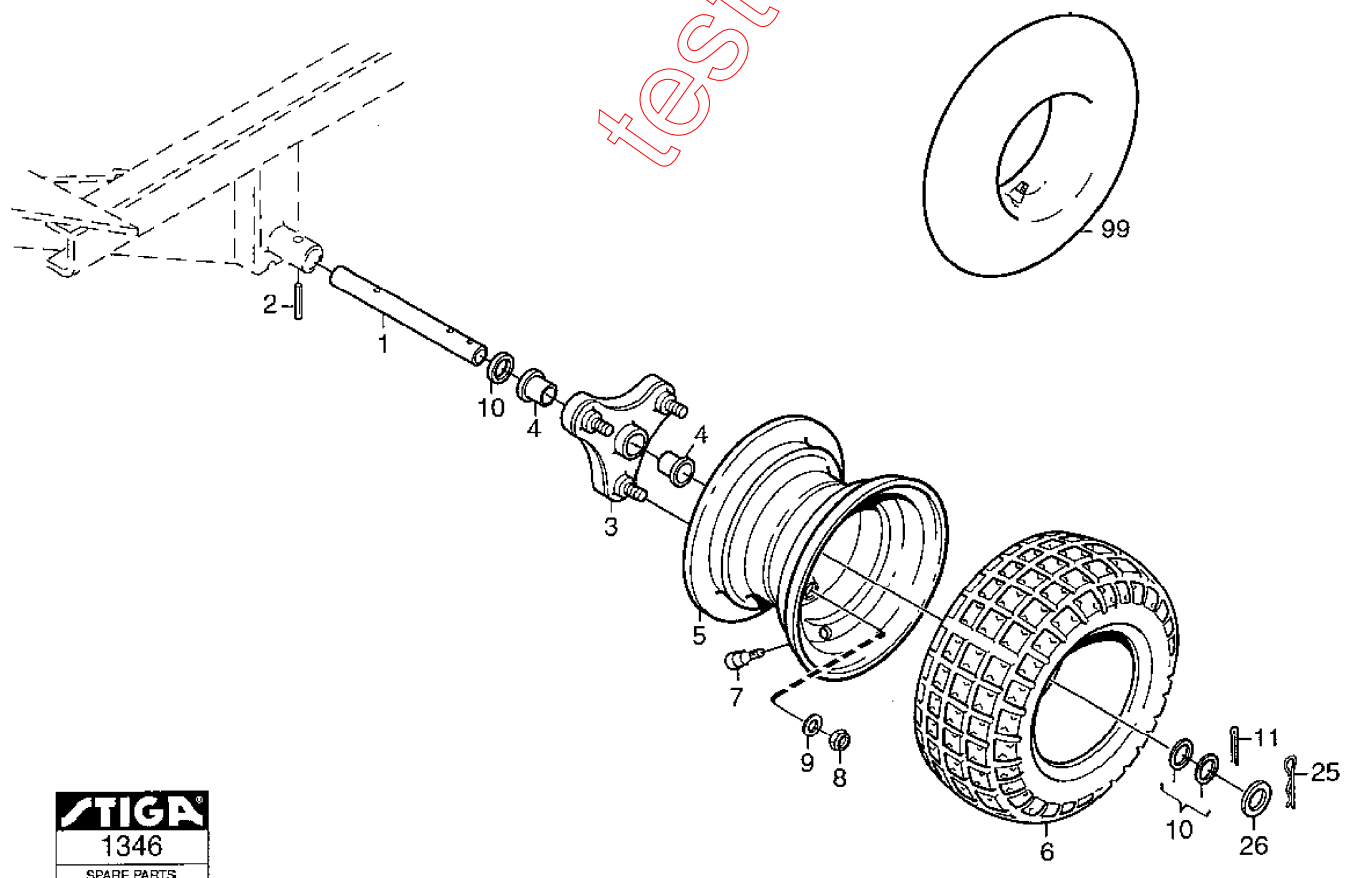


test



Section: PARK SENATOR-PRESIDENT- COMFORT-POWER-ROYAL WHEELS 16"

Pos.	Quantity	Spare part No	Description	Kit	Notes	New
	6112					
	6113					
	6143					
	6114					
1	2	1134-0075-01	Front axle			
2	2	9595-0258-00	Locating pin			
3	2	1134-4844-04	Wheel hub assy			
4	1	1134-9026-01	.Bearing bush kit		Sats 4 st/kit of 4	
5	2	1134-4558-01	Rim			
6	2	9545-0116-00	Tyre		16 x 7.50 - 8	
7	2	9545-0500-00	Valve			
8	6	9747-1031-02	Lock nut			
9	6	9699-0035-02	Flat washer			
10	8	1134-0341-01	Washer			
11	2	9599-0080-02	Cotter pin			
12	2	1134-4844-02	Wheel hub			
13	2	1134-4558-01	Rim			
14	2	9545-0116-00	Tyre		16 x 7.50 - 8	
15	2	9545-0500-00	Valve			
16	6	9747-1031-02	Lock nut			
17	6	9699-0035-02	Flat washer			
18	2	1134-4796-01	Hub cap			
19	2	9947-0540-19	Screw			
20	2	1134-2471-01	Key			
21	2	9699-0042-02	Flat washer			
22	2	9653-0001-04	Lock ring			
25	2	9598-0003-02	Spring pin			
26	2	9699-0042-02	Flat washer			
99		9545-0203-00	Inner tube		Reservdel/spare par	

test