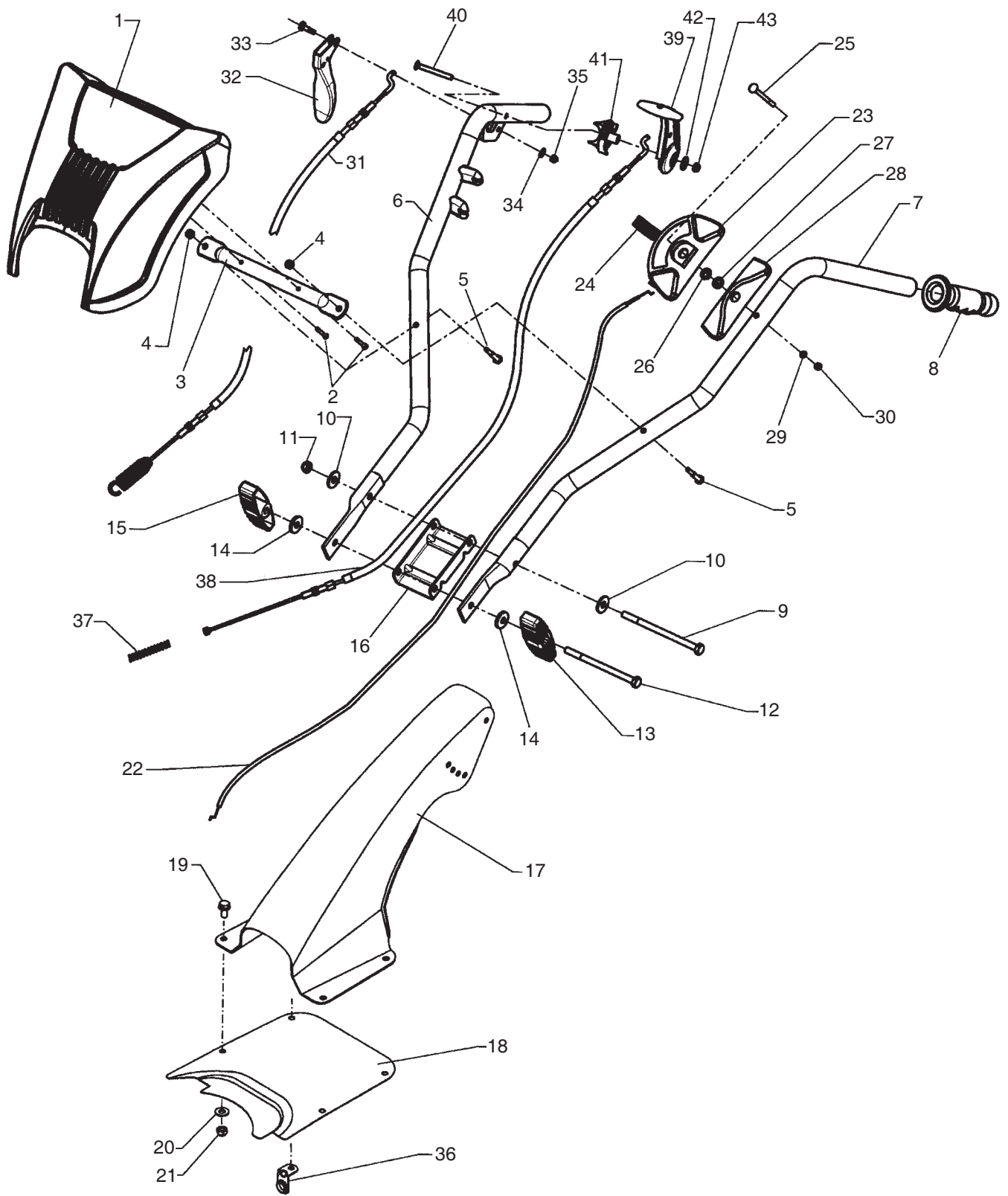
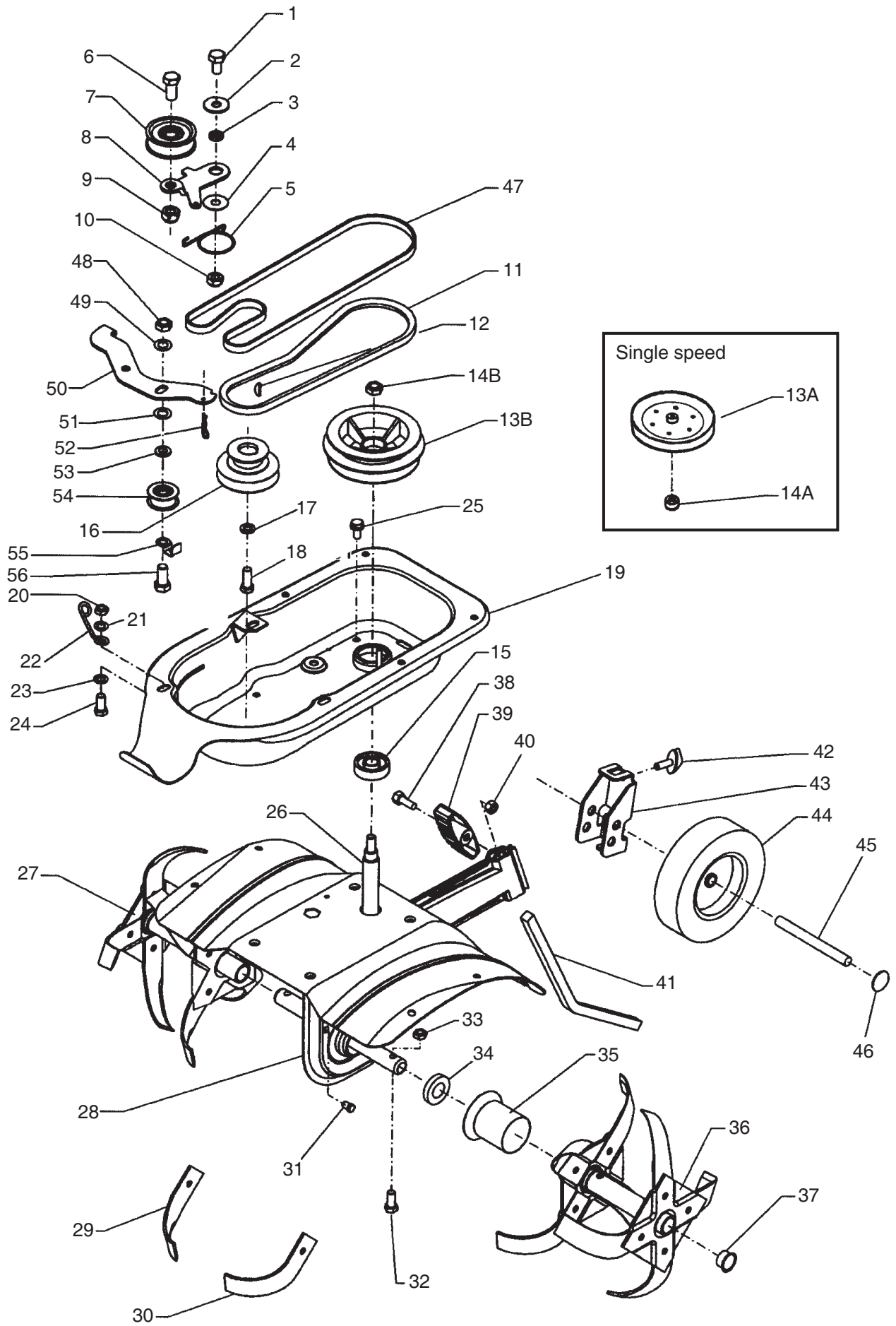


Genuine Spare Parts





Utgåva Issue 2008- 12		Bildnr Picture No 2418		SILEX 40- G SILEX 40R- G JORDFRÄS		SILEX 40- G SILEX 40R- G TILLER		Sida Page 228	
Pos. Fig.	Antal/Quantity				Art nr Part No	Benämning	Description	Sats Kit	Anmärkning Notes
	3111 -11	3112 -11							
X	1	1	1		1483-2182-01	Panel- gul.....	Panel- yellow.....		
X	1	1	1		1483-2182-02	Panel- röd.....	Panel- red.....		
X	2	2	2		1483-2200-01	Skruv.....	Screw.....		
X	3	1	1		1483-2180-01	Panelstag.....	Panel bracket.....		
	4	2	2		9747-0631-02	Låsmutter.....	Lock nut.....		
	5	2	2		9997-0635-12	Skruv.....	Screw.....		
X	6		1		1483-2178-01	Styrrör- hö.....	Handlebar tube- RH.....		
X	6	1			1483-2179-01	Styrrör- hö.....	Handlebar tube- RH.....		
X	7	1	1		1483-2177-01	Styrrör- vä.....	Handlebar tube- LH.....		
X	8	2	2		1483-2079-01	Handtagsgrepp.....	Handgrip.....		
X	9	1	1		9997-0813-02	Skruv.....	Screw.....		
	10	2	2		9699-0122-02	Bricka.....	Washer.....		
	11	1	1		9747-0831-02	Mutter.....	Lock nut.....		
	12	1	1		9997-0812-02	Skruv.....	Screw.....		
	13	1	1		1483-2045-01	Ratt utan mutter.....	Knob w/o nut.....		
	14	2	2		9699-0056-02	Planbricka.....	Flat washer.....		
	15	1	1		1483-2006-01	Ratt m. mutter.....	Knob w. nut.....		
	16	1	1		1483-2046-01	Styrförstärkning.....	Handle reinforcement.....		
	17	1	1		1483-2041-01	Styrfäste- gul.....	Handle bracket- yellow.....		
X	17	1	1		1483-2041-02	Styrfäste- röd.....	Handle bracket- red.....		
	18	1	1		1483-2029-01	Platta- gul.....	Plate- yellow.....		
X	18	1	1		1483-2029-02	Platta- röd.....	Plate- red.....		
	19	4	4		9959-0820-16	Skruv.....	Screw.....		
	20	4	3		9699-0028-02	Planbricka.....	Flat washer.....		
	21	4	4		9747-0831-02	Mutter.....	Lock nut.....		
X	22	1	1		1483-2181-01	Gaswire.....	Throttle cable.....		
X	23	1	1		322981740/1	Gasreglagehus.....	Throttle box.....		
	24	1	1		81007279/1	Gasarm.....	Throttle lever.....		
	25	1	1		9898-0855-12	Skruv.....	Screw.....		
	26	1	1		9699-0035-02	Planbricka.....	Flat washer.....		
	27	1	1		12508100/0	Låsbricka.....	Washer.....		
	28	1	1		22171006/0	Distans.....	Spacer.....		
	29	1	1		9699-0024-02	Planbricka.....	Flat washer.....		
	30	1	1		9799-0531-02	Mutter.....	Nut.....		
	31	1	1		1483-2053-01	Kopplingswire.....	Clutch cable.....		
	32	1	1		1483-2008-01	Kopplingshandtag.....	Clutch handle.....		
	33	1	1		1483-2005-01	Skruv.....	Screw.....		
	34	1	1		9699-0025-02	Planbricka.....	Washer.....		
	35	1	1		9747-0531-02	Mutter.....	Nut.....		
	36		1		1483-2021-01	Vinkelfäste.....	Wire support plate.....		
	37		1		1483-2019-01	Fjäder.....	Spring.....		
	38		1		1483-2051-01	Kopplingswire- back.....	Clutch cable- reverse.....		
	39		1		1483-2017-01	Kopplingshandtag- back.....	Clutch lever- reverse.....		
	40		1		9948-0655-16	Skruv.....	Screw.....		
	41		1		1483-2018-01	Stöd.....	Reverse lever support.....		
	42		1		9699-0100-02	Bricka.....	Washer.....		
	43		1		9747-0631-02	Låsmutter.....	Lock nut.....		



Utgåva Issue 2008- 12		Bildnr Picture No 2419		SILEX 40- G SILEX 40R- G JORDFRÄS		SILEX 40- G SILEX 40R- G TILLER		Sida Page 230	
Pos. Fig.	Antal/Quantity				Art nr Part No	Benämning	Description	Sats Kit	Anmärkning Notes
	3111 -11	3112 -11							
	1	1			9997-1020-16	Skruv.....	Screw.....		
	2	1	1		9699-0105-02	Bricka.....	Washer.....		
	3	1	1		1483-2001-01	Bussning.....	Bushing.....		
	4	1	1		1483-2020-01	Distans.....	Spacer.....		
	5	1	1		1483-2033-01	Returfjäder.....	Return spring.....		
	6	1	1		1483-2076-01	Skruv.....	Screw.....		
	7	1	1		1483-2004-01	Spännrulle.....	Idler pulley.....		
	8	1	1		1483-2032-01	Spännarm.....	Tension arm.....		
	9	1	1		9747-1231-02	Låsmutter.....	Lock nut.....		
	10	1	1		9747-1031-02	Låsmutter.....	Lock nut.....		
	11	1	1		1483-2034-01	Drivrem.....	Belt.....		
	12	1			12139100/0	Kil.....	Key.....		
X	12		1		1483-2140-01	Kil.....	Key.....		
	13A	1			1483-2028-01	Remskiva.....	Belt pulley.....		
	13B		1		1483-2025-01	Remskiva.....	Belt pulley.....		
	14A	1			1483-2027-01	Distans.....	Spacer.....		
	14B		1		9799-1231-02	Mutter.....	Nut.....		
	15	1	1		1483-2071-01	Kullager.....	Ball bearing.....		
	16	1	1		1483-2065-01	Remskiva.....	Belt pulley.....		
	17	1	1		9699-0035-02	Planbricka.....	Flat washer.....		
	18	1	1		9987-5225-16	Skruv.....	Screw.....		
	19	1	1		1483-2038-01	Transm.hus- gul.....	Transm.housing- yellow.....		
X	19	1	1		1483-2038-02	Transm.hus- röd.....	Transm.housing- red.....		
	20	1	1		9747-0831-02	Mutter.....	Lock nut.....		
	21	1	1		9699-0028-02	Planbricka.....	Flat washer.....		
X	22	1	1		1482-2139-01	Kabelhållare.....	Wire holder.....		
	23	1	1		9699-0028-02	Planbricka.....	Flat washer.....		
	24	1			9997-0835-12	Skruv.....	Screw.....		
	24		1		9997-0840-16	Skruv.....	Screw.....		L = 35 mm L = 40 mm
	25	4	4		9959-0816-16	Skruv.....	Screw.....		
	26	1	1		1483-2011-01	Snäckskruv.....	Endless screw.....		
	27	1	1		1483-2055-01	Knivrotor kpl- hö.....	Rotor assy- RH.....		
	28	1	1		1483-2037-01	Växelhus- gul.....	Gear housing- yellow.....		
X	28	1	1		1483-2037-02	Växelhus- röd.....	Gear housing- red.....		
	29	8	8		1483-2014-01	Kniv- vä.....	Tine- LH.....		
	30	8	8		1483-2013-01	Kniv- hö.....	Tine- RH.....		
	31	1	1		1483-2075-01	Lock.....	Cap.....		
	32	2	2		9997-0835-12	Skruv.....	Screw.....		
	33	2	2		9747-0831-02	Mutter.....	Lock nut.....		
	34	2	2		1483-2069-01	Tätningarring.....	Seal ring.....		
	35	2	2		1483-2012-01	Dammskydd.....	Dust guard.....		
	36	1	1		1483-2054-01	Knivrotor kpl- vä.....	Rotor assy- LH.....		
	37	2	2		1483-2015-01	Plastlock.....	Plastic cap.....		
	38	1	1		9997-0820-16	Skruv.....	Screw.....		
	39	1	1		1483-2045-01	Ratt utan mutter.....	Knob w/o nut.....		
	40	1	1		9747-0831-02	Mutter.....	Lock nut.....		
	41	1	1		1483-2063-01	Bromssporre.....	Depth skid.....		
	42	1	1		1483-2077-01	Skruv.....	Screw.....		
	43	1	1		1483-2056-01	Hjulstöd.....	Wheel support.....		
	44	2	2		1483-2058-01	Stödhjul.....	Wheel.....		
	45	1	1		1483-2057-01	Hjulaxel.....	Wheel axle.....		
	46	2	2		1483-2074-01	Låsning.....	Fixing device.....		
	47		1		1483-2036-01	Drivrem- back.....	Belt- reverse.....		
	48		1		9799-1031-02	Mutter.....	Nut.....		
	49		1		9699-0035-02	Planbricka.....	Flat washer.....		
	50		1		1483-2031-01	Spännarm- back.....	Tension arm- reverse.....		
	51		1		9699-0035-02	Planbricka.....	Flat washer.....		
	52		1		9599-0052-02	Saxsprint.....	Split pin.....		
	53		1		9699-0035-02	Planbricka.....	Flat washer.....		
	54		1		1483-2003-01	Spännrulle.....	Idler roller.....		
	55		1		1483-2030-01	Remstyrning.....	Belt guide.....		
	56		1		9997-1025-16	Skruv.....	Screw.....		