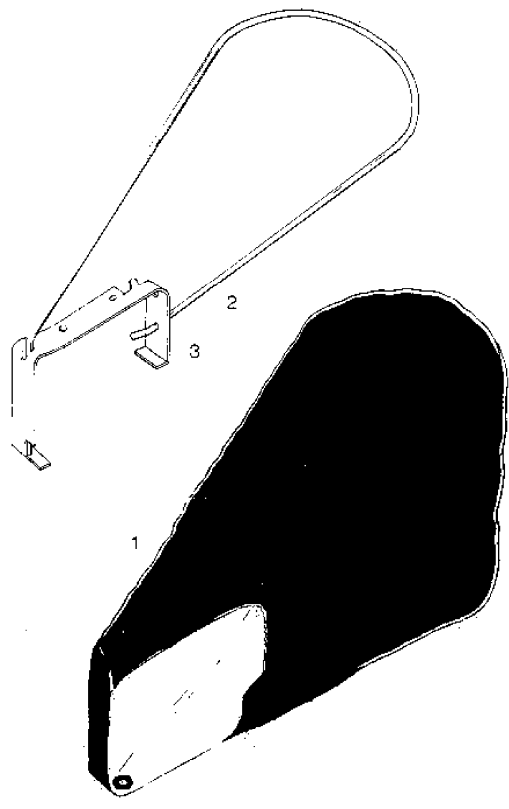
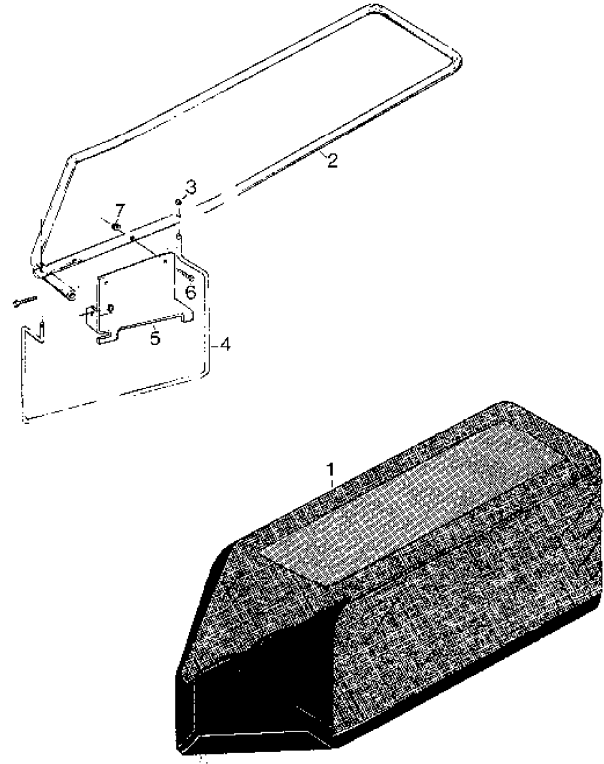


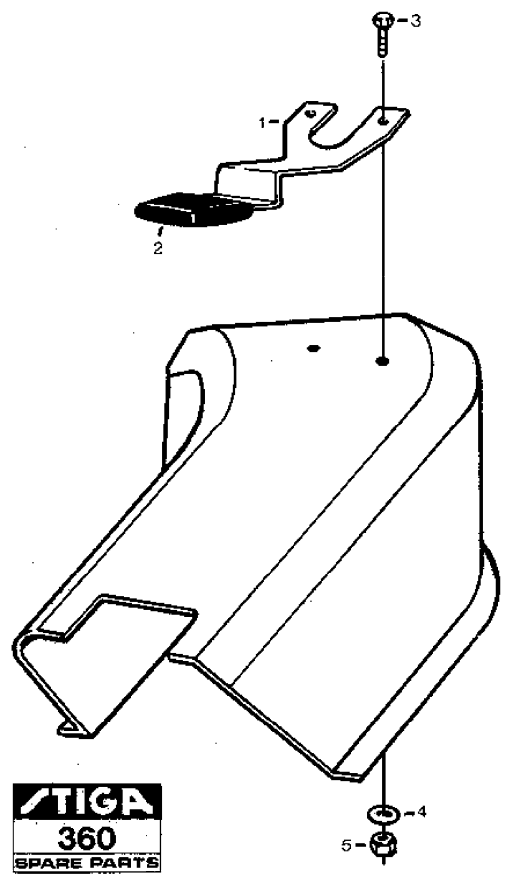
Art. no. 11-1912



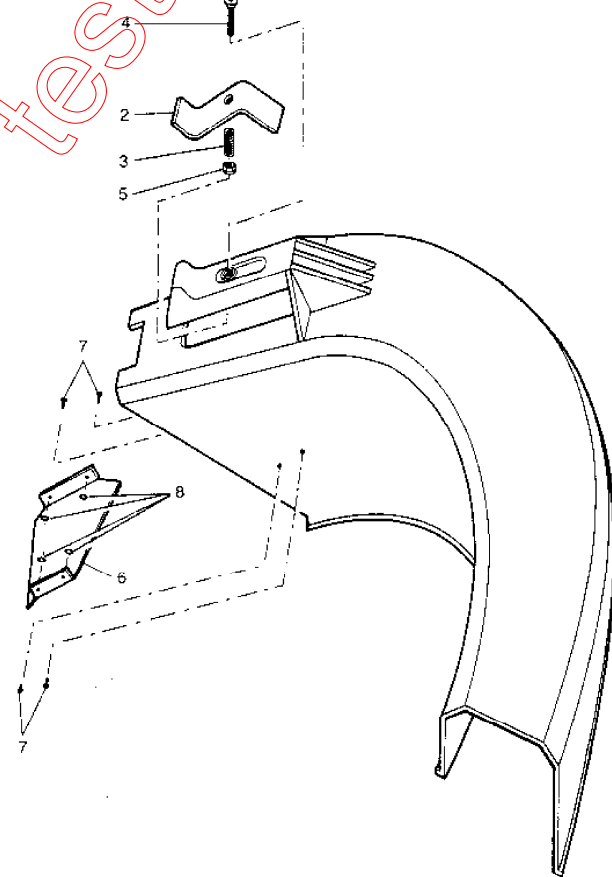
Art. no. 11-2911



Art. no. 11-6919



Art. no. 11-6939



test



Section: GRASS COLLECTOR SIDE DISCHARGE KIT

Pos.	Quantity	Spare part No	Description	Kit	Notes	New
------	----------	---------------	-------------	-----	-------	-----

1912 2911 6919 6939

0	1		..11-1912-11	Grass collector ass	Dino	
1	1		1119-0042-01	.Collecting bag		
2	1		1119-0014-00	.Tubular frame		
3	1		1119-0015-00	.Attaching clamp		
A0	1		..11-2911-11	Grass collector ass	Tornado	
A1	1		1119-0041-01	Grass bag		
A2	1		1119-0002-00	.Tubular frame		
A3	2		9672-0001-02	..Starlock		
A4	1		1119-0040-01	.Wire clamp		
A5	1		1119-0004-00	.Attachment fitting		
A5	1		1119-0005-00	.Set of screws		
A6	3		9865-0525-16	..Screw		
A7	3		9747-0531-02	..Nut		
B0		1	..11-6919-11	Side discharge assy	Turbo 460	
B1		1	1111-1439-01	.Spring		
B2		1	1111-2032-01	.Knob		
B3		2	9997-0512-16	.Screw		
B4		2	9699-0099-02	.Washer		
B5		2	9747-0531-02	.Nut		
C0		1	..11-6939-11	Side discharge assy	Turbo 510	
C2		1	1812-1104-01	.Lock plate		
C3		1	1812-0769-01	.Spring		
C4		1	1812-1101-01	.Screw		
C5		1	1812-1106-01	.Lock nut		
C6		1	1812-1105-01	.Baffle		
C7		4	1812-1102-01	.Rivet		
C8		4	1812-1103-01	.Washer		

test