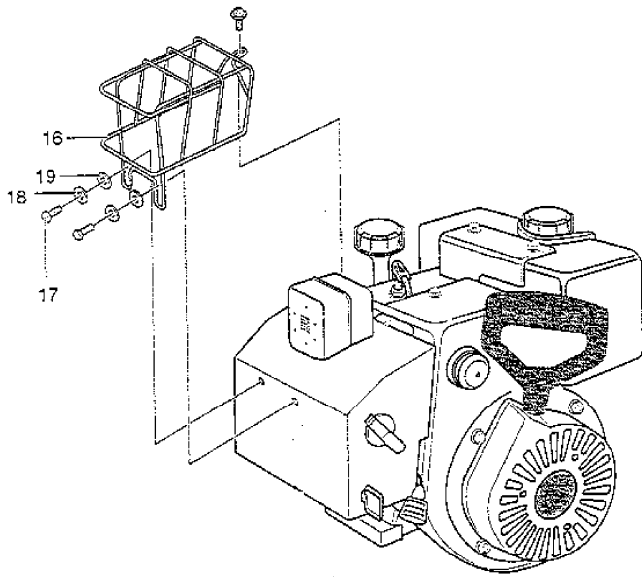
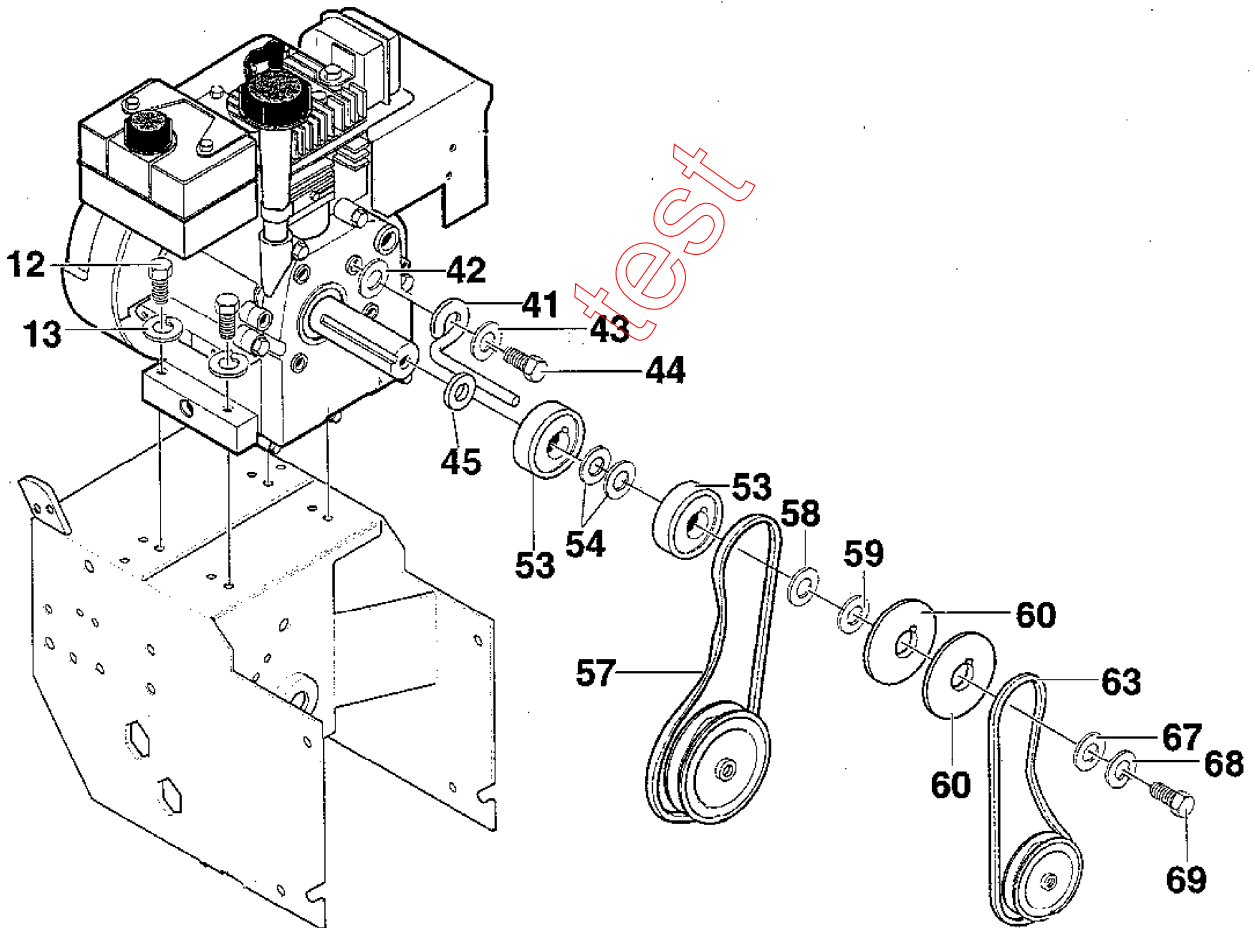
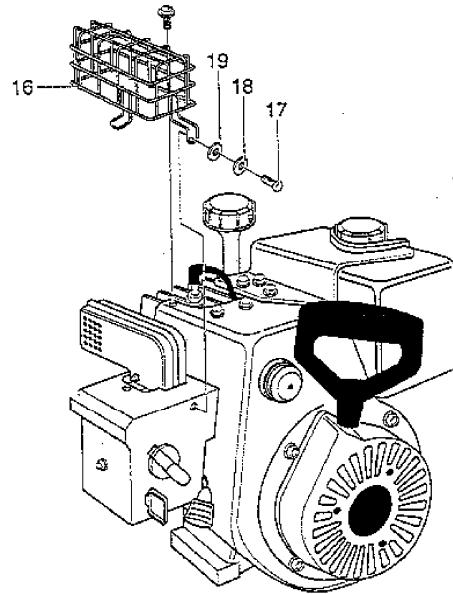


Snow Buster - Snow King



Snow Master



## Section: SNOW MASTER SNOW BUSTER SNOW KING BELT TRANSMISSION

Pos.	Quantity		Spare part No	Description	Kit	Notes	New
	2824	2854	2841				
12	4	4	4	9988-3638-12	Screw		
13	4	4	4	9683-0030-02	Lock washer		
16		1	1	1812-1385-01	Muffler guard		
16	1			1812-1415-01	Muffler guard		
17	2	2	2	1812-1386-01	Screw		
18	2	2	2	1812-1388-01	Washer		
19	2	2	2	1812-1387-01	Flat washer		
41	1	1	1	1812-0533-01	Belt guide		
42	1	1	1	1812-0667-01	Plastic washer		
43	1	1	1	9683-0030-02	Lock washer		
44	1	1	1	9987-5125-16	Screw		
45	1	1	1	1812-1566-01	Spacer		
53	2	2	2	1812-1201-01	Traction pulley		
54	2	2	2	1812-1206-01	Pulley spacer		
57	1	1	1	1812-9016-01	Drive belt		
58	1	1	1	1812-0407-01	Washer		
59	1	1	1	1812-1350-01	Spacer		
60	2	2	2	1812-1351-01	Engine pulley		
63	1			1812-9019-01	V-belt		
63		1	1	1812-9020-01	Drive belt		
67	1	1	1	1812-0283-01	Washer		
68	1	1	1	9683-0035-02	Lock washer		
69	1	1	1	1133-0762-01	Screw		

test