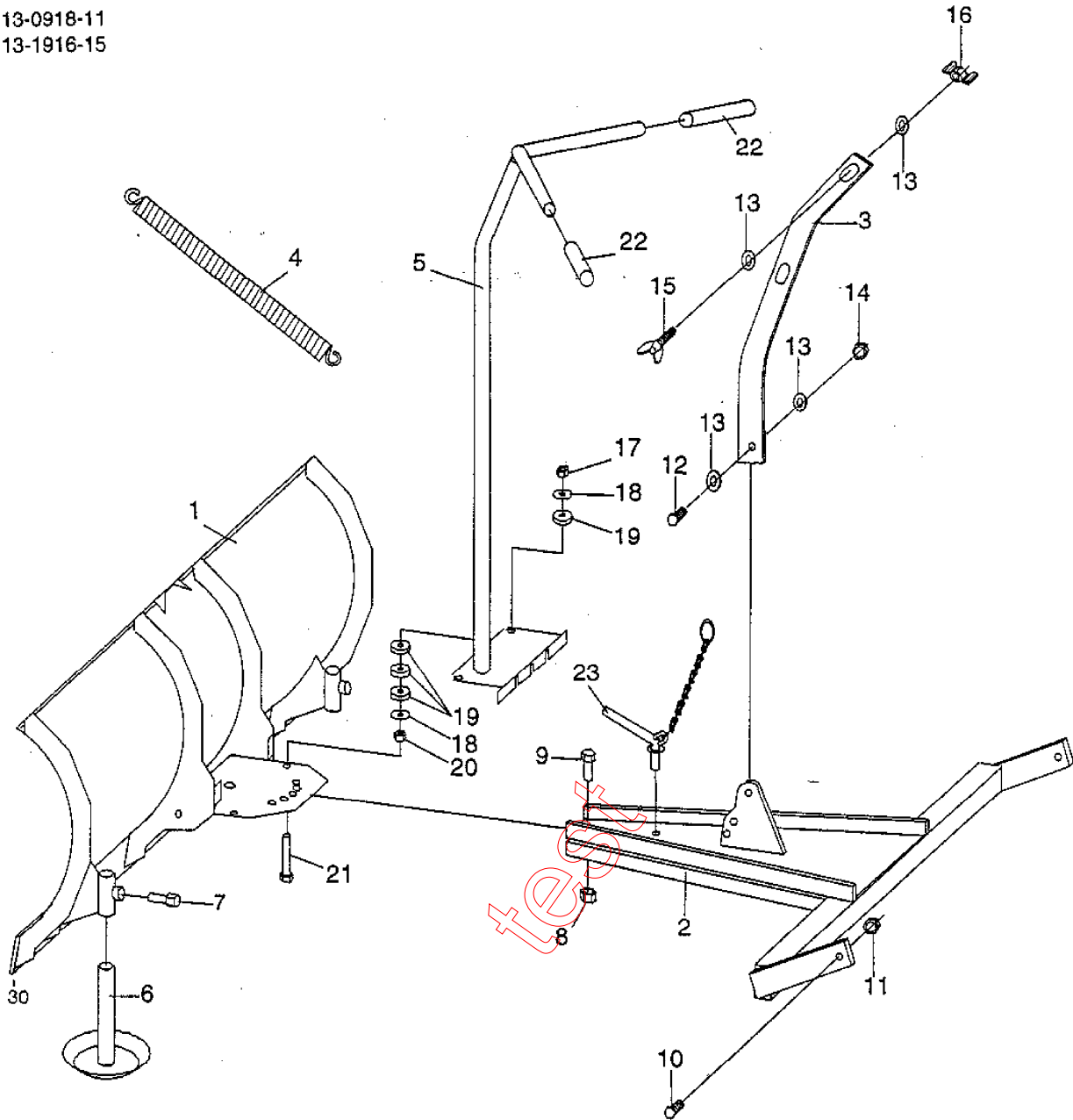
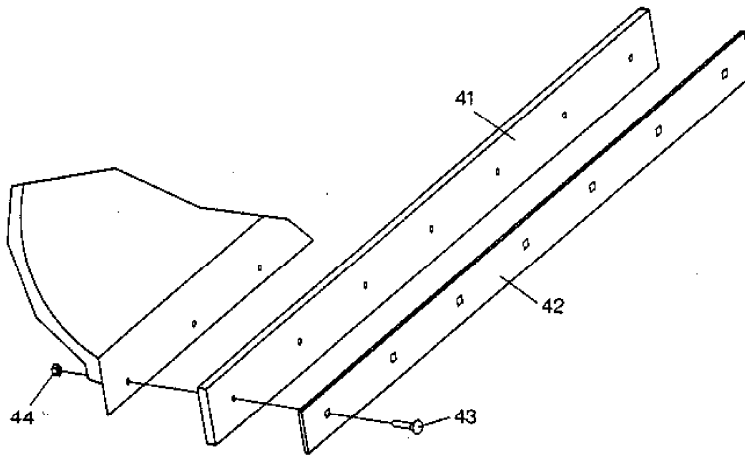


13-0918-11
13-1916-15



13-1958-12



Section: DOZER BLADE ART.NO 13-0918-11 ART.NO 13-1916-15 RUBBER BLAD

Pos.	Quantity	Spare part No	Description	Kit	Notes	New
------	----------	---------------	-------------	-----	-------	-----

0918
1916 1958

1	1	1319-1528-01	Blade			
2	1	1319-1607-01	Frame			
3	1	1319-1530-01	Lift plate			
4	1	1319-1527-01	Spring			
5	1	1319-1662-01	Angle control rod			
6	2	1319-1526-01	Skid			
7	2	9997-1220-16	Screw			
8	1	9747-1631-02	Lock nut			
9	1	1319-1551-01	Screw			
10	2	9997-1035-16	Screw			
11	2	9739-1031-22	Nut			
12	1	9997-0825-16	Screw			
13	4	9699-0028-02	Flat washer			
14	1	9747-0831-02	Lock nut			
15	1	1319-1613-01	Wing screw			
16	1	1134-3259-01	Wing nut			
17	2	9747-1031-02	Lock nut			
18	4	9699-0035-02	Flat washer			
19	8	1319-1663-01	Rubber washer			
20	2	9747-1031-02	Lock nut			
21	2	1319-1664-01	Screw			
22	2	1319-1703-01	Grip			
23	1	1319-1531-01	Pin			
30	1	1319-1759-01	Steel scraper assy		Reservdel/spare par	
41	1	1319-1562-01	Rubber blade			
42	1	1319-1563-01	Mounting plate			
43	7	9898-0830-16	Screw			
44	7	9747-0831-02	Lock nut			

test