

- 1- K574G Transmission
- 200- K574G Seal Kit

Kit Includes	
#17	#91
#19	#92
#20	#94
#30	#99
#59	#103
#72	#104
#81	#105

All parts may not be used.
- 201- K574G Repair Kit

Kit Includes	
#24	#38
#31	

All parts may not be used.

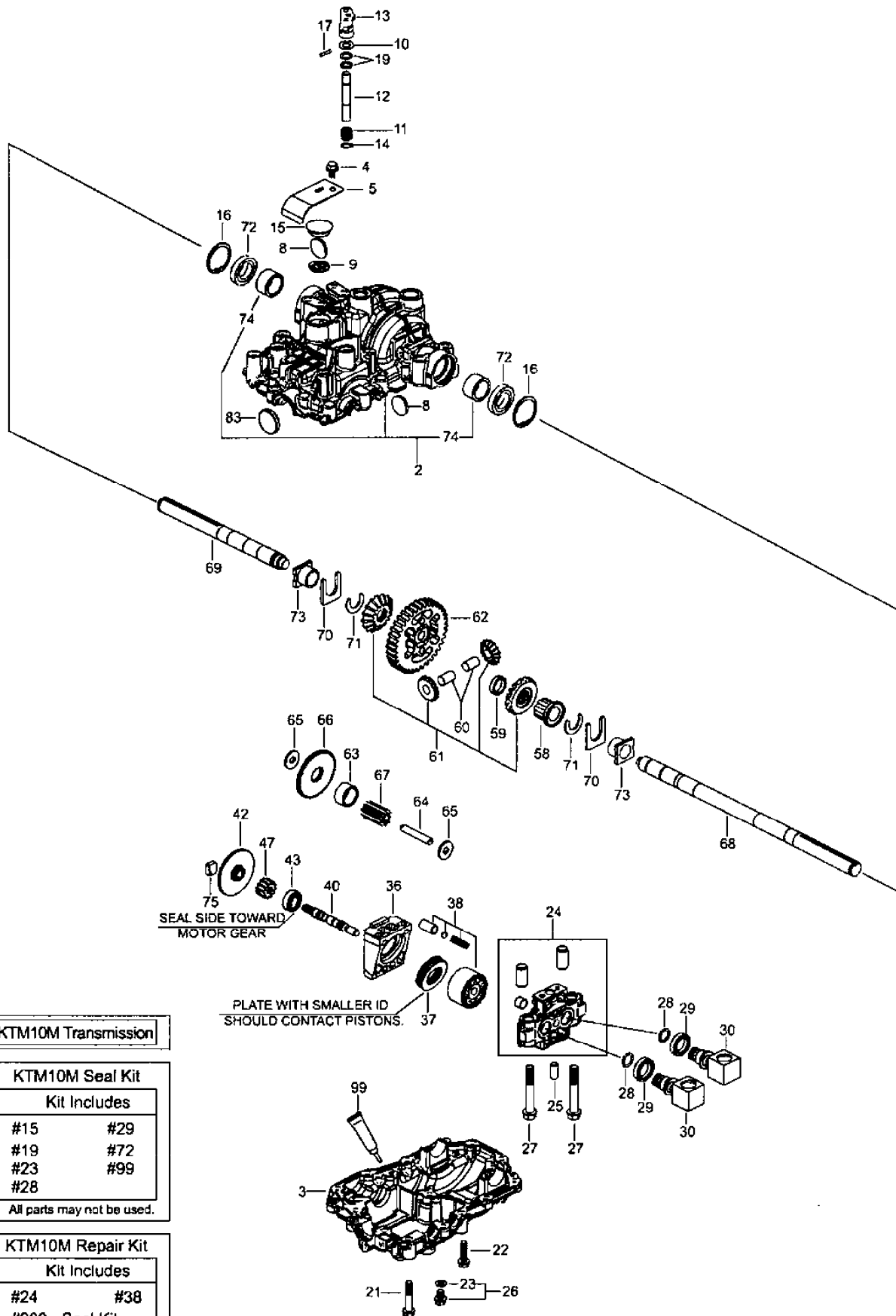


Section: KANZAKI TRANSAXLE K574G

Pos.	Quantity	Spare part No	Description	Kit	Notes	New
					574G	
1	1	1134-6394-01	Transaxle assy		Kanzaki K574G	
2	1	1139-1470-01	Housing-upper		Pos 74 incl.	
3	1	1139-1456-01	Housing-lower			
5	1	1139-1301-01	Tube			
6	2	1139-1336-01	Hose clamp			
7	1	1139-1306-01	Adapter			
8	2	1139-1150-01	Magnet			
9	1	1139-1341-01	Holder-magnet			
11	1	1139-1347-01	Spring			
12	1	1139-1251-01	Shaft-bypass			
13	1	1139-1189-01	Lever-bypass			
14	1	1139-1161-01	Ring			
15	1	1139-1275-01	Bore plug			
16	1	1139-1104-01	Snap ring			
17	2	1139-1103-01	.Seal washer			
18	2	1139-1500-01	Drain bolt kit		Pos 17 incl.	
20	1	1139-1119-01	Seal			
21	4	1139-1473-01	Bolt			
22	12	1139-0244-01	Tapping screw			
24	1	1139-1487-01	Center case			
25	1	1139-1158-01	Pin			
26	2	1139-1497-01	Pin			
27	2	1139-1294-01	Bolt			
28	2	1139-1468-01	IDS valve			
29	2	1139-1243-01	Spring			
30	2	1139-1307-01	Filter			
31	1	1139-1356-01	Cylinder block assy			
32	1	1139-1245-01	Spring			
33	1	1139-1493-01	Pump shaft			
34	3	1139-1146-01	Ring			
35	1	1139-1110-01	Ball bearing			
36	1	1139-1458-01	Housing			
37	1	1139-1438-01	Bearing			
38	1	1139-1454-01	Cylinder block			
39	1	1139-1160-01	Washer			
40	1	1139-1353-01	Motor shaft			
41	1	1139-1021-01	Snap ring			
42	1	1139-1272-01	Motor gear			
43	1	1139-1453-01	Bearing			
44	2	1139-1066-01	Metal thrust			
45	1	1139-1067-01	Swash plate assy			
46	1	1139-1508-01	Thrust bearing kit			
49	1	1139-1354-01	Control shaft			
50	1	1139-1410-01	Fulcrum			
51	1	1139-1312-01	Spring			
52	1	1139-1409-01	Control arm			
53	1	1139-1325-01	Control lever			
54	1	1139-1408-01	Jerky plate			
55	1	1139-1102-01	Washer			
56	1	1139-1355-01	Cotter pin			
57	1	1139-1329-01	Pin			
58	1	1139-1285-01	Pin			
60	1	1139-1127-01	Nut			
61	1	1139-1404-01	Differential gear k			
62	1	1139-1258-01	Final gear			
63	1	1139-1255-01	Collar			
64	1	1139-1256-01	Reduction shaft			
65	2	1139-1398-01	Washer			
66	1	1139-1267-01	Reduction gear			
67	1	1139-1361-01	Final pinion			
68	1	1139-1344-01	Axle shaft-left			
69	1	1139-1345-01	Axle shaft-right			
70	2	1139-1078-01	Thrust washer			
71	2	1139-1163-01	Ring			
72	2	1139-1080-01	Seal			
73	2	1139-1164-01	Bushing			

Section: KANZAKI TRANSAXLE K574G

Pos.	Quantity	Spare part No	Description	Kit	Notes	New
574G						
74	2	1139-1414-01	.Bushing			
75	1	1139-1260-01	Brake shoe			
76	1	1139-1261-01	Brake arm			
77	1	1139-1320-01	Brake shaft			
78	1	1139-1411-01	Return spring			
79	1	1139-1264-01	Brake actuator			
80	1	1139-1282-01	Pin			
82	2	1139-1281-01	Pin			
83	2	1139-1248-01	Spline collar			
84	1	1139-1469-01	Pulley			
85	1	1134-4190-01	Fan			
86	1	1139-1266-01	Lock washer			
87	1	1139-1149-01	Snap ring			
88	1	1139-1276-01	Collar			
89	4	1139-1166-01	Pin			
90	1	1139-1280-01	Pin			
91	1	1139-1303-01	Oil seal			
92	1	1139-1290-01	.Packing			
93	1	1139-1510-01	Cap kit		Pos 92 incl.	
94	1	1139-1488-01	Filter			
95	1	1139-1279-01	Pin			
96	1	1139-1495-01	Pin			
97	1	1139-1492-01	Charge spring			
98	1	1139-1496-01	Parallell pin			
99	1	1139-1443-01	Sealant			
100	1	1139-1494-01	Pump case kit			
101	1	1139-1490-01	Rotor-outer			
102	1	1139-1489-01	Rotor-inner			
104	1	1139-1013-01	O-ring			
105	2	1139-0239-01	Packing			
107	1	1139-1459-01	Piping			
108	1	1139-1460-01	Piping			
110	1	1139-1505-01	Hydraulic port bloc			
111	1	1139-1472-01	Bolt			
112	1	1139-1455-01	Tapping screw			
113	1	1139-1471-01	Bolt			
200	1	1139-1506-01	Seal kit			
201	1	1139-1507-01	Repair kit			



1- KTM10M Transmission

KTM10M Seal Kit	
Kit Includes	
#15	#29
#19	#72
#23	#99
#28	
All parts may not be used.	

200-

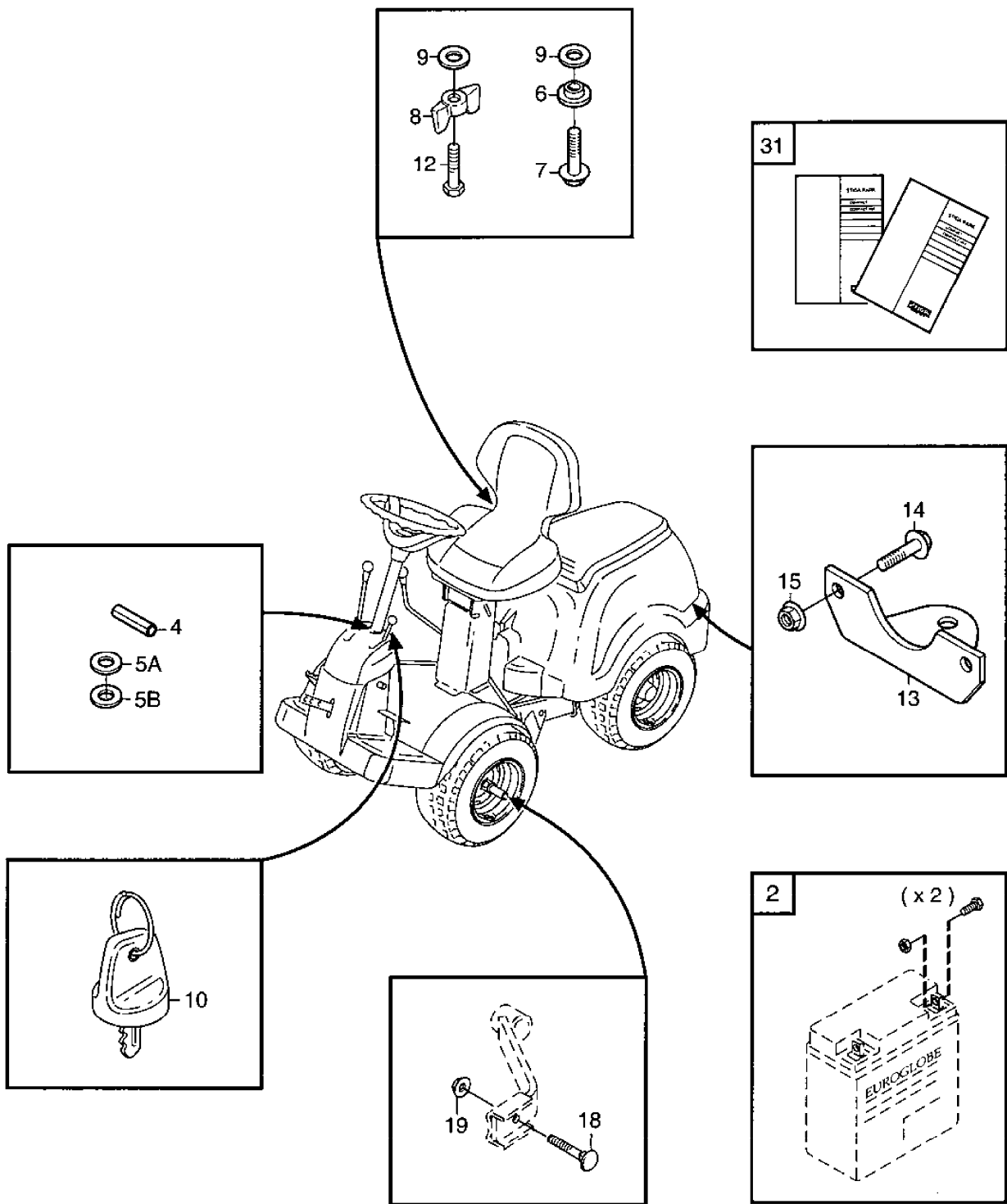
KTM10M Repair Kit	
Kit Includes	
#24	#38
#200 - Seal Kit	
All parts may not be used.	

201-



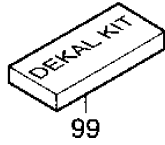
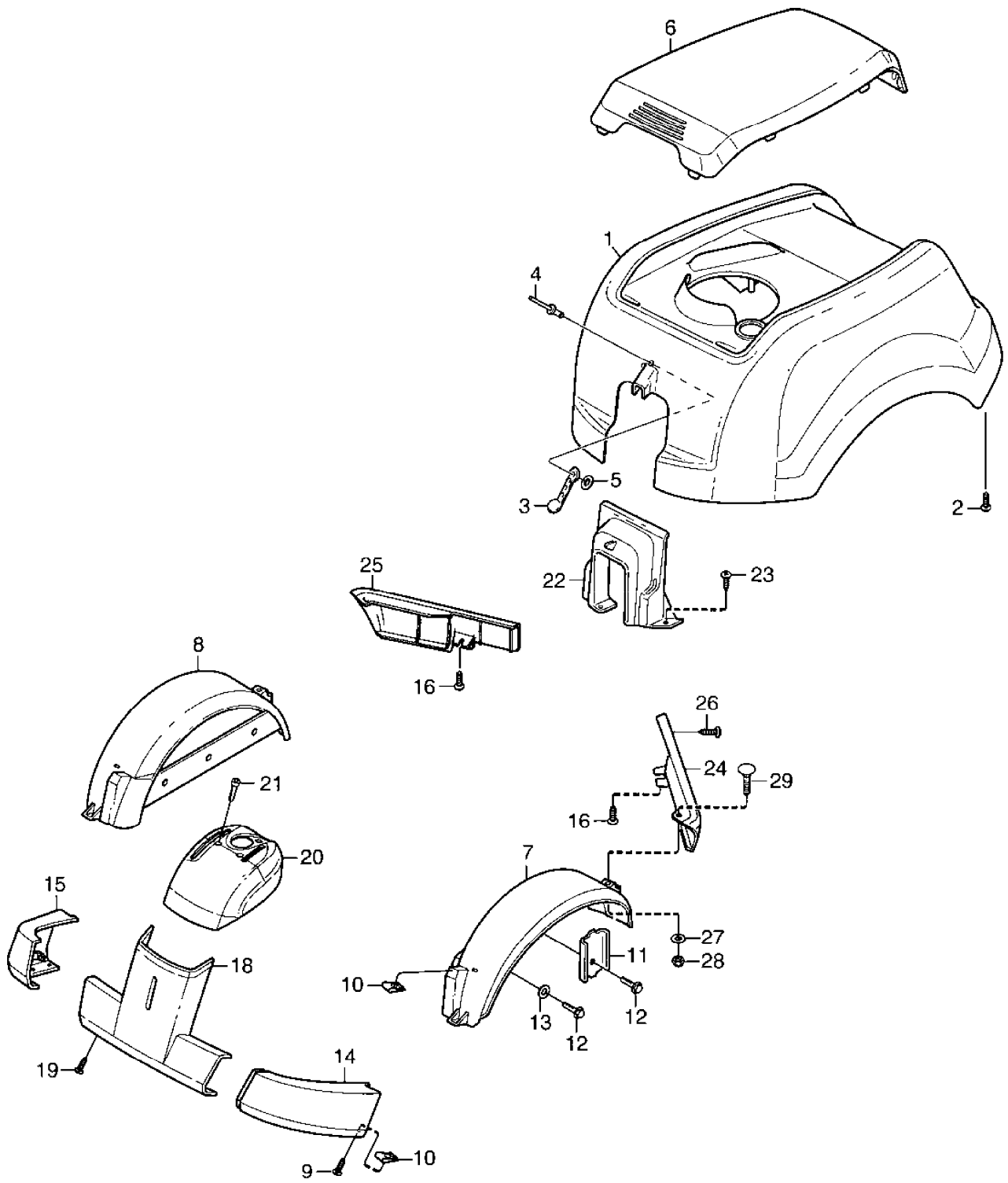
Section: KANZAKI TRANSAXLE KTM 10M

Pos.	Quantity	Spare part No	Description	Kit	Notes	New
					KTM 10M	
1	1	1134-6029-01	Transaxle-front		Kanzaki KTM 10M	
2	1	1139-1417-01	Housing-upper		Pos 74 incl.	
3	1	1139-1418-01	Housing-lower			
4	1	1139-1123-01	Bolt			
5	1	1139-1384-01	Skid plate			
8	2	1139-1150-01	Magnet			
9	1	1139-1341-01	Holder-magnet			
10	1	1139-1388-01	Washer			
11	1	1139-1421-01	Spring			
12	1	1139-1420-01	By-pass shaft			
13	1	1139-1189-01	Lever-bypass			
14	1	1139-1391-01	Ring			
15	1	1139-1397-01	Sealing cap			
16	2	1139-1444-01	Ring			
17	1	1139-1280-01	Pin			
19	2	1139-1114-01	O-ring			
21	3	1139-1291-01	Bolt			
22	11	1139-1448-01	Bolt			
23	1	1139-1103-01	Seal washer			
24	1	1139-1503-01	Center case			
25	1	1139-1445-01	Pin			
27	2	1139-1449-01	Bolt			
28	2	1139-1446-01	Packing			
29	2	1139-1447-01	Seal			
30	2	1139-1424-01	Connector			
36	1	1139-1504-01	Motor housing			
37	1	1139-1438-01	Bearing			
38	1	1139-1509-01	Cylinder block kit			
40	1	1139-1425-01	Motor shaft			
42	1	1139-1451-01	Brake disc			
43	1	1139-1453-01	Bearing			
47	1	1139-1426-01	Motor gear			
58	1	1139-1330-01	Collar			
59	1	1139-1435-01	Collar			
60	1	1139-1440-01	Pin			
61	1	1139-1439-01	Differential gear k			
62	1	1139-1429-01	Final gear			
63	1	1139-1427-01	Collar			
64	1	1139-1256-01	Reduction shaft			
65	2	1139-1398-01	Washer			
66	1	1139-1430-01	Reduction gear			
67	1	1139-1361-01	Final pinion			
68	1	1139-1432-01	Axle			
69	1	1139-1431-01	Axle			
70	2	1139-1194-01	Thrust washer			
71	2	1139-1155-01	Ring			
72	2	1139-1044-01	Seal			
73	2	1139-1156-01	Bushing			
74	2	1139-1415-01	.Bushing			
75	1	1139-1260-01	Brake shoe			
83	1	1139-1450-01	Sealing cap			
99	1	1139-1443-01	Sealant			
200	1	1139-1436-01	Seal kit			



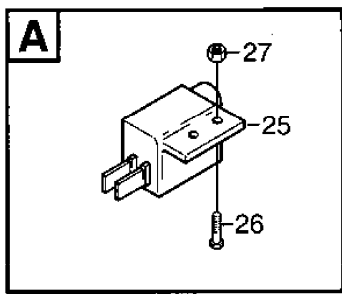
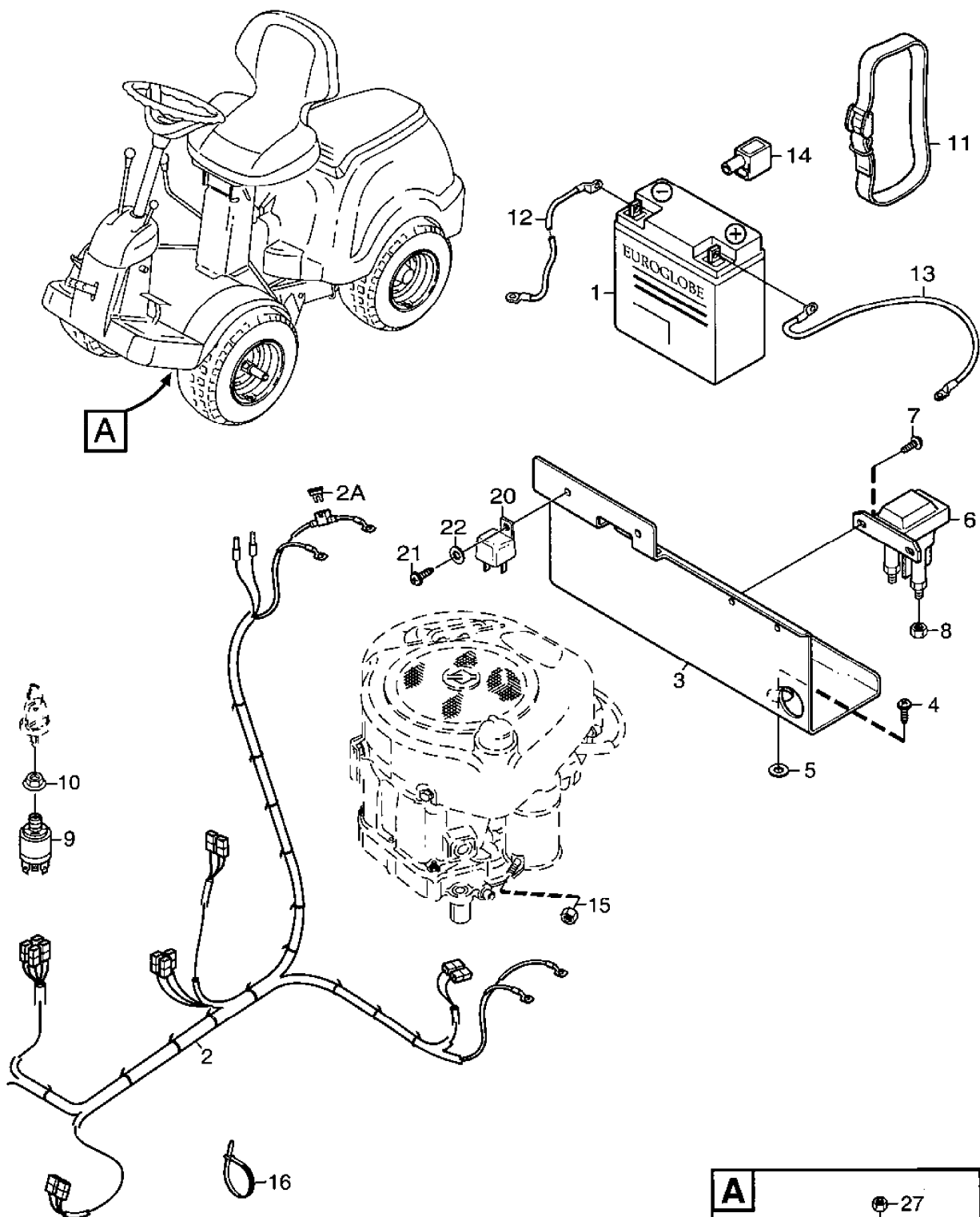
Section: PARK COMPACT ASSEMBLY PARTS

Pos.	Quantity	Spare part No			Description	Kit	Notes	New
		6102						
	6101	6103	6104					
2	1	1	1	1134-6113-01	Battery screws			
4	1	1	1	9595-0262-00	Locating pin			
5A	1	1	1	9699-0103-02	Flat washer		0.5 mm	
5B	1	1	1	9699-0114-02	Flat washer		1.0 mm	
6	2	2	2	1134-4185-01	Flange washer			
7	2	2	2	9959-0820-16	Screw			
8	2	2	2	1134-4481-01	Wing nut			
9	4	4	4	9699-0056-02	Flat washer			
10	2	2	2	1134-4734-01	Ignition key			
12	2	2	2	9997-0820-16	Screw			
13	1	1	1	1134-5512-01	Towing plate			
14	2	2	2	9959-0820-16	Screw			
15	2	2	2	9739-0831-22	Nut			
18	2	2	2	9898-1035-16	Screw			
19	2	2	2	9739-1031-22	Nut			
31	1	1	1	8211-0950-80	Warranty card			
31	1	1	1	8211-0001-80	Owner's manual			
31	1	1	1	8211-0002-80	Owner's manual			
31	1	1	1	8211-0601-80	Assy instructions			
31	1	1	1	8211-0701-80	Safety regulations			
31	1	1	1	8211-0901-80	Service book			



Section: PARK COMPACT BODY WORK

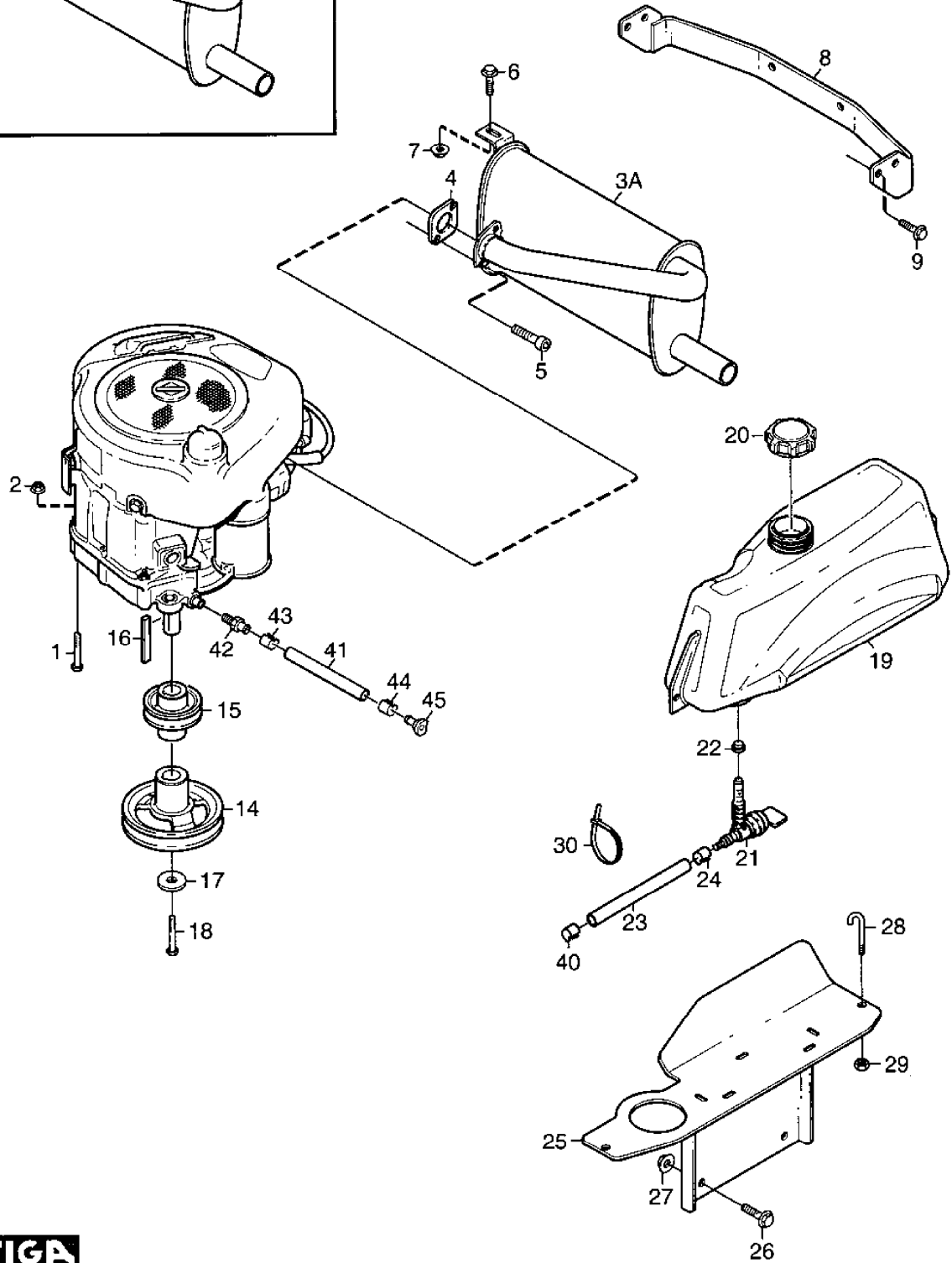
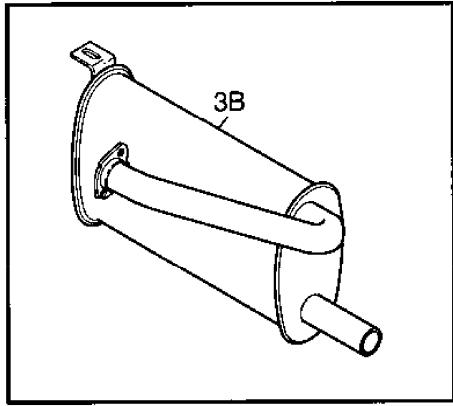
Pos.	Quantity	Spare part No			Description	Kit	Notes	New
		6102						
	6101	6103	6104					
1	1	1	1	1134-5263-02	Engine hood-yellow			
2	7	7	7	9838-9530-12	Screw			
3	1	1	1	1134-9028-01	Rubber strap kit		Sats 3 st/kit of 3	
4	1	1	1	9632-0516-00	Pop rivet			
5	1	1	1	9699-0120-02	Washer			
6	1	1	1	1134-5264-01	Engine cover-grey			
7	1	1	1	1134-5308-01	Mud guard LH-grey			
8	1	1	1	1134-5308-02	Mud guard RH-grey			
9	4	4	4	9893-0616-16	Screw			
10	4	4	4	1134-4176-01	Clips			
11	2	2	2	1134-0225-00	Support plate			
12	6	6	6	9945-0816-16	Screw			
13	4	4	4	9699-0056-02	Flat washer			
14	1	1	1	1134-5306-01	Bumper, front-LH			
15	1	1	1	1134-5306-02	Bumper, front-RH			
16	2	2	2	9893-0616-16	Screw			
18	1	1	1	1134-5305-01	Front plate-lower			
19	2	2	2	9893-0616-16	Screw			
20	1			1134-5320-01	Front-upper			
20		1	1	1134-5320-02	Front-upper			
21	2	2	2	9946-0525-16	Screw			
22	1	1	1	1134-6241-01	Hood support			
23	3	3	3	9893-0616-16	Screw			
24	1	1	1	1134-3970-05	Moulding-LH, grey			
25	1	1	1	1134-3970-02	Moulding-RH, grey			
26	2	2	2	9893-0616-16	Screw			
27	2	2	2	9699-0060-02	Flat washer			
28	2	2	2	9747-0631-02	Lock nut			
29	2	2	2	9897-0616-16	Carriage bolt			
99	1			1134-6440-01	Label kit			
99		1		1134-6440-02	Label kit			
99			1	1134-6440-03	Label kit			



Section: PARK COMPACT EL. EQUIPMENT

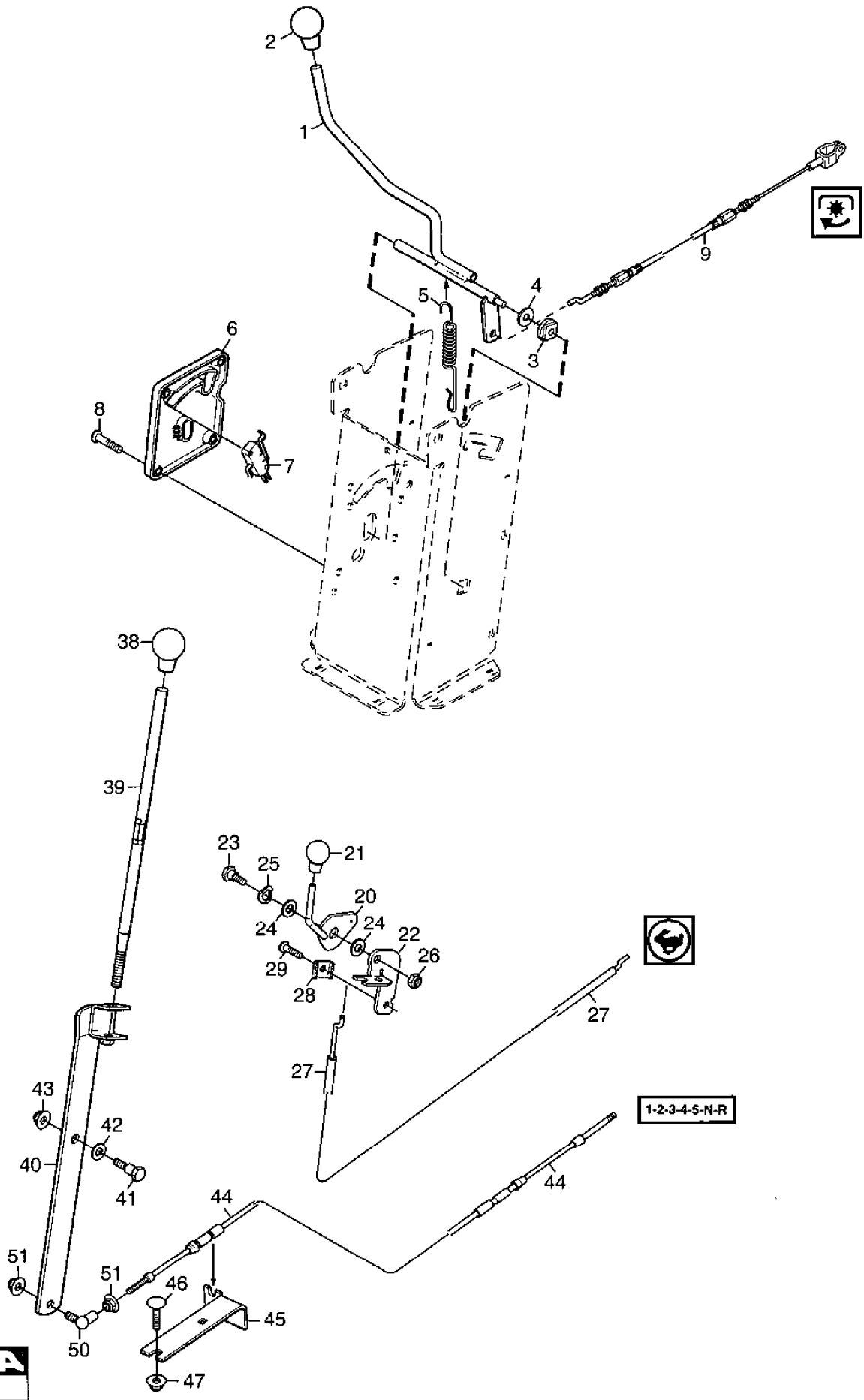
Pos.	Quantity	Spare part No			Description	Kit	Notes	New
------	----------	---------------	--	--	-------------	-----	-------	-----

		6102						
		6101	6103	6104				
1	1	1	1		1134-4804-01	Battery		
2	1				1134-5768-01	Harness		
2		1	1		1134-5769-01	Harness		
2A	1	1	1		1134-3496-06	.Fuse	20A	
3	1	1	1		1134-5343-01	Battery bracket		
4	3	3	3		9852-8013-16	Screw		
5	2	2	2		9699-0060-02	Flat washer		
6	1	1	1		1134-2962-01	Solenoid assy		
7	2	2	2		9852-8013-16	Screw		
8	2	2	2		9794-5131-02	.Nut		
9	1	1	1		1134-4093-01	Ignition switch		
10	1	1	1		1134-4749-01	Nut		
11	1	1	1		1134-5245-01	Battery strap		
12	1	1	1		1134-2167-01	Cable		
13	1	1	1		1134-0234-02	Battery cable (+)		
14	1	1	1		1134-2310-01	Guard cap		
15	1	1	1		9795-3531-02	Nut		
16	15	15	15		9579-0003-00	Cable holder		
20	1				1134-2871-03	Relay		
21	1				9852-8013-16	Screw		
22	1				9699-0099-02	Washer		
25		1	1		1134-3399-02	Switch		
26			2		9943-0516-16	Screw		
26		2			9997-0520-16	Screw		
27		2			9747-0531-02	Nut		

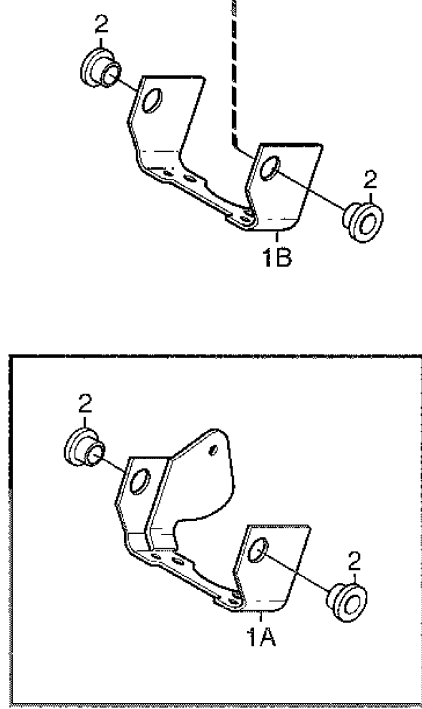
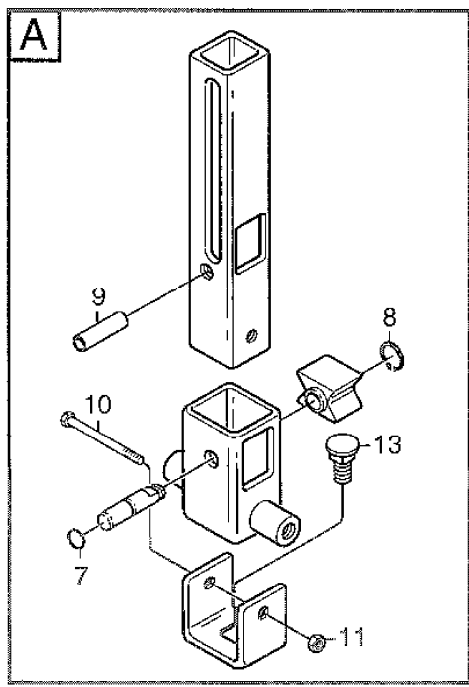
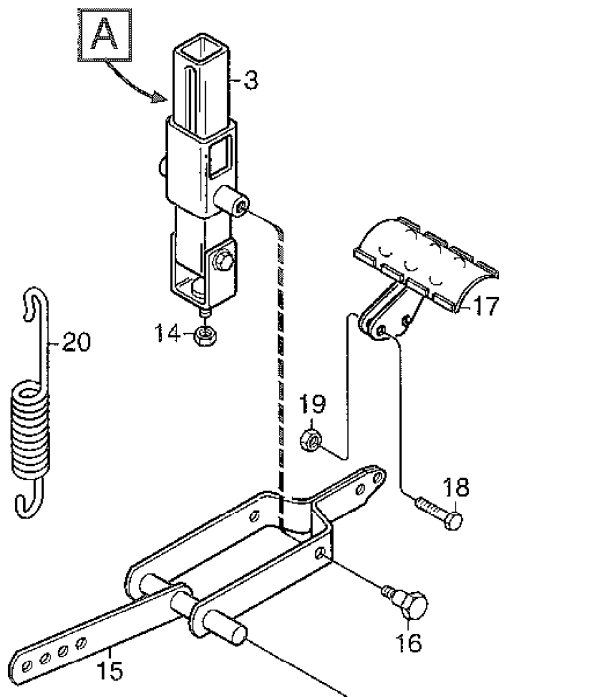


Section: PARK COMPACT ENGINE

Pos.	Quantity		Spare part No	Description	Kit	Notes	New	
		6101	6102	6103	6104			
1	1					9997-0880-16	Screw	M8 x 80 mm
1	3	4	4	4		9955-3725-16	Screw	3/8" UNC x 25 mm
2	1					9739-0831-22	Nut	
3A	1	1				1134-5370-01	Muffler	
3B			1	1		1134-5369-01	Muffler	
4	1	1	1	1		1134-0433-00	Muffler gasket	
5	2	2	2	2		1134-4930-01	Screw	
6	1	1	1	1		9959-0820-16	Screw	
7	1	1	1	1		9739-0831-22	Nut	
8	1	1	1	1		1134-5390-01	Tow bar bracket	
9	4	4	4	4		9945-0816-16	Screw	
14	1	1	1	1		1134-6419-01	Engine pulley	
15	1	1	1	1		1134-6137-01	Engine pulley	
16	1	1	1	1		9600-0251-01	Key	L = 2 1/2"
17	1	1	1	1		1134-5017-01	Washer	
18	1	1	1	1		9987-5332-16	Screw	
19	1	1	1	1		1134-6618-01	Fuel tank	
20	1	1	1	1		1134-5532-01	Fuel tank cap	
21	1	1	1	1		1134-3224-01	Fuel shut-off valve	
22	1	1	1	1		1134-3225-01	Grommet	
23	1	1	1			1134-2975-01	Fuel hose	L = 520 mm
23				1		1134-2975-07	Fuel hose	L = 350 mm
24	1	1	1	1		9578-0023-02	Hose clamp	
25	1	1	1	1		1134-6627-01	Fuel tank bracket	
26	2	2	2	2		9959-0820-16	Screw	
27	2	2	2	2		9739-0831-22	Nut	
28	2	2	2	2		1134-5346-01	Fuel tank loop	
29	2	2	2	2		9747-0631-02	Lock nut	
30	1	1	1	1		9579-0003-00	Cable holder	
40	1	1	1	1		9578-0023-02	Hose clamp	
41	1	1	1	1		1134-5827-01	Oil drain assy	Pos 42-45 incl.
42	1	1	1	1		1134-5825-01	.Nipple	
43	1	1	1	1		9578-0023-04	.Hose clamp	
44	1	1	1	1		1134-3499-02	.Hose clamp	
45	1	1	1	1		1134-5826-01	.Plug	

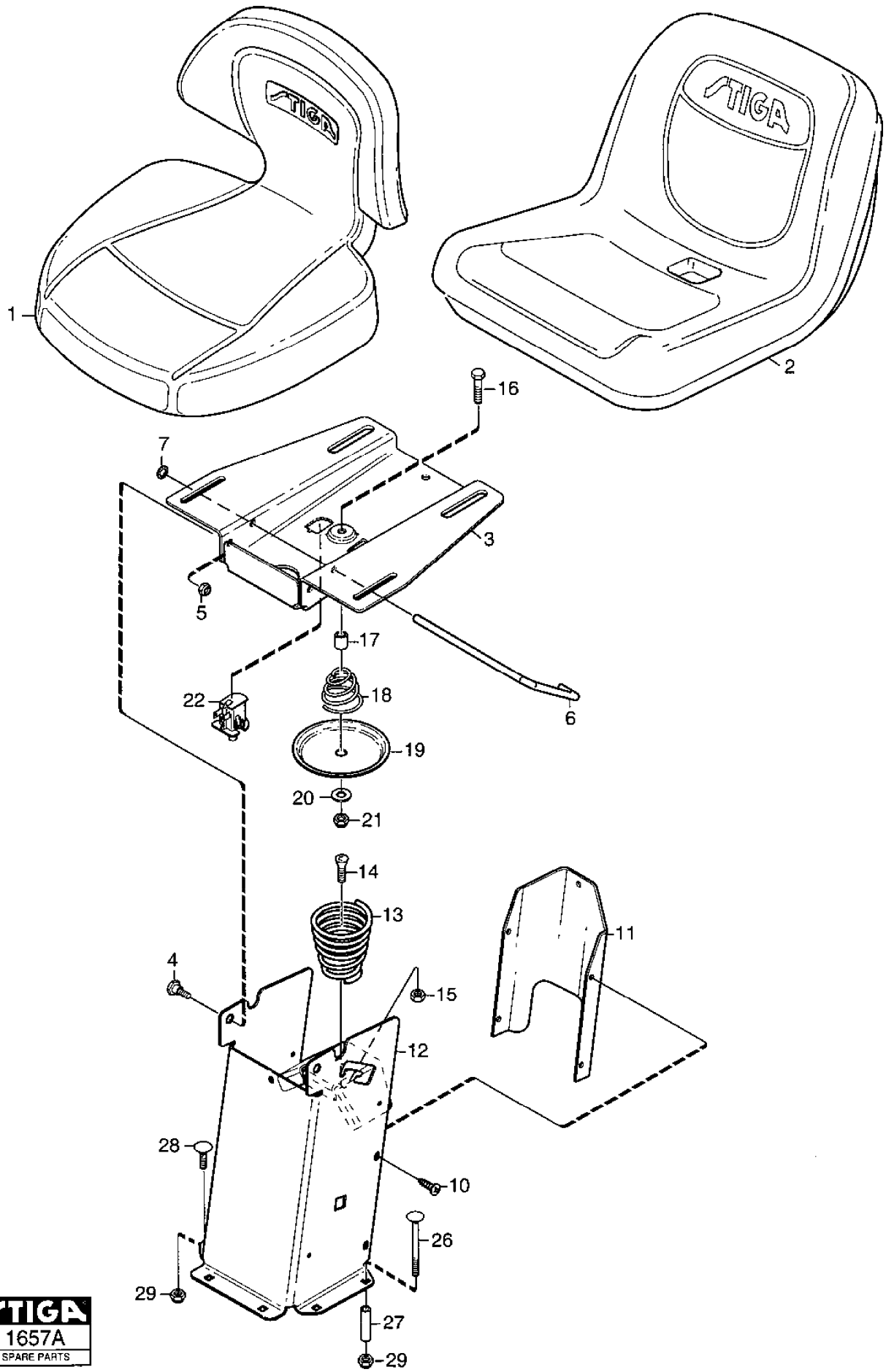


STIGA
1670A
SPARE PARTS



Section: PARK COMPACT PEDAL LIFT

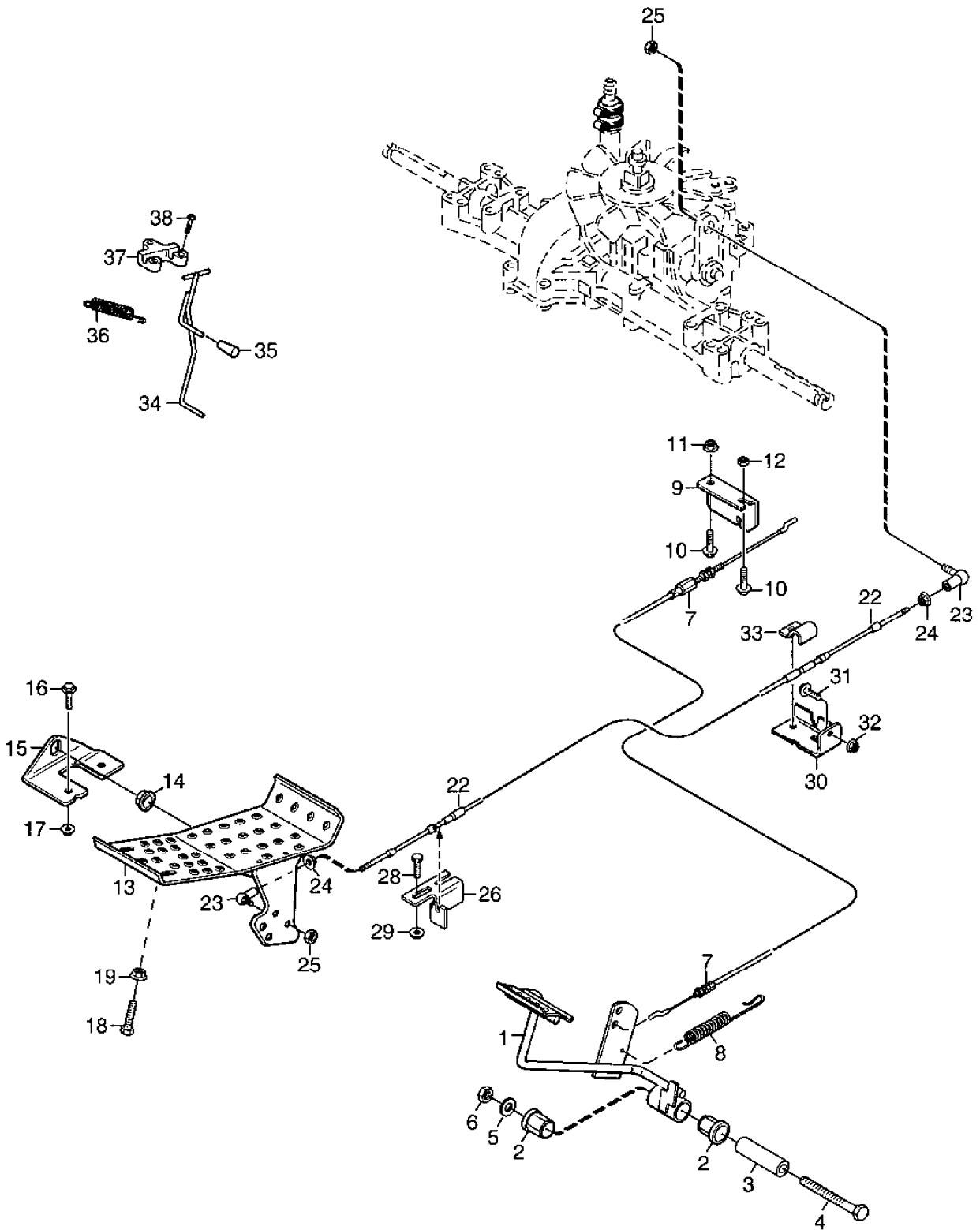
Pos.	Quantity	Spare part No	Description	Kit	Notes	New
		6102				
		6103				
	6101	6104				
1A	1		1134-5462-01		Bracket	
1B	1		1134-4117-01		Bracket	
2	2	2	1134-2684-01		Bearing	
3	1	1	1134-4945-01		Lift catch assy	
7	1	1	9404-0027-01		.O-ring	
8	1	1	9650-0039-04		.Lock ring	
9	1	1	9595-0276-01		.Locating pin	
10	1	1	9997-0640-12		.Screw	
11	1	1	9747-0631-02		.Lock nut	
13	1	1	9897-0820-16		.Screw	
14	1	1	9747-0831-02		Lock nut	
15	1	1	1134-4860-01		Lift fork	
16	2	2	1134-0240-00		Shoulder screw	
17	1	1	1134-4938-01		Lift pedal	
18	2	2	9997-0625-16		Screw	
19	2	2	9739-0631-22		Nut	
20	1	1	4231-0013-00		Spring	



STIGA
1657A
SPARE PARTS

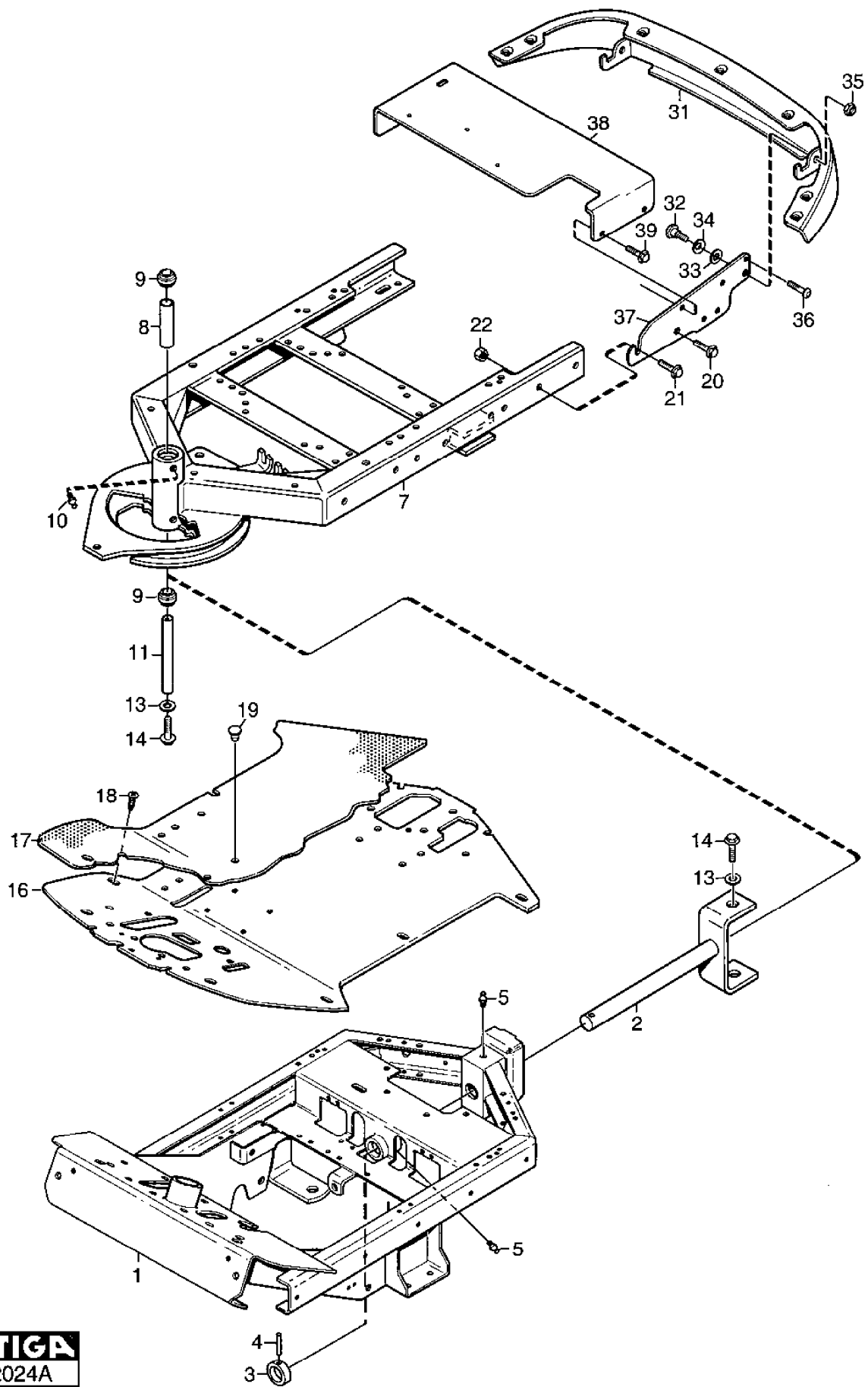
Section: PARK COMPACT SEAT

Pos.	Quantity	Spare part No	Description	Kit	Notes	New
	6101 6103					
	6102 6104					
1	1	1134-5506-01	Seat			
2	1	1134-6444-01	Seat			
3	1	1134-5301-01	Seat plate			
4	2	1134-0240-00	Shoulder screw			
5	2	9747-0831-02	Lock nut			
6	1	1134-5454-01	Catch			
7	1	9675-0012-02	Locking washer			
10	4	9893-0616-16	Screw			
11	1	1134-5300-01	Rear plate			
12	1	1134-5296-04	Seat bracket-yellow			
13	1	1134-4256-01	Seat spring			
14	1	9924-1235-19	Screw			
15	1	9747-1231-02	Lock nut			
16	1	9997-0840-16	Screw			
17	1	1134-1565-06	Spacer			
18	1	1134-5302-01	Spring			
19	1	1134-5299-01	Push plate			
20	1	9699-0090-02	Flat washer			
21	1	9747-0831-02	Lock nut			
22	1	1134-3156-02	Switch (grey)			
26	2	9897-0880-12	Screw		L = 80 mm	
27	2	1134-1565-08	Spacer			
28	4	9897-0820-16	Screw		L = 20 mm	
29	6	9747-0831-02	Lock nut			



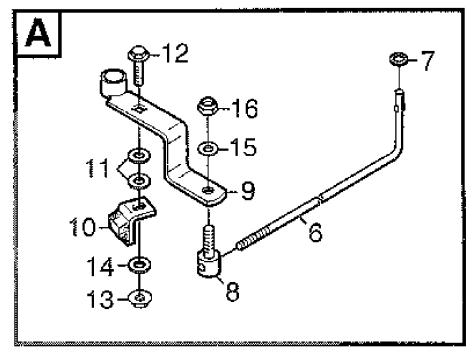
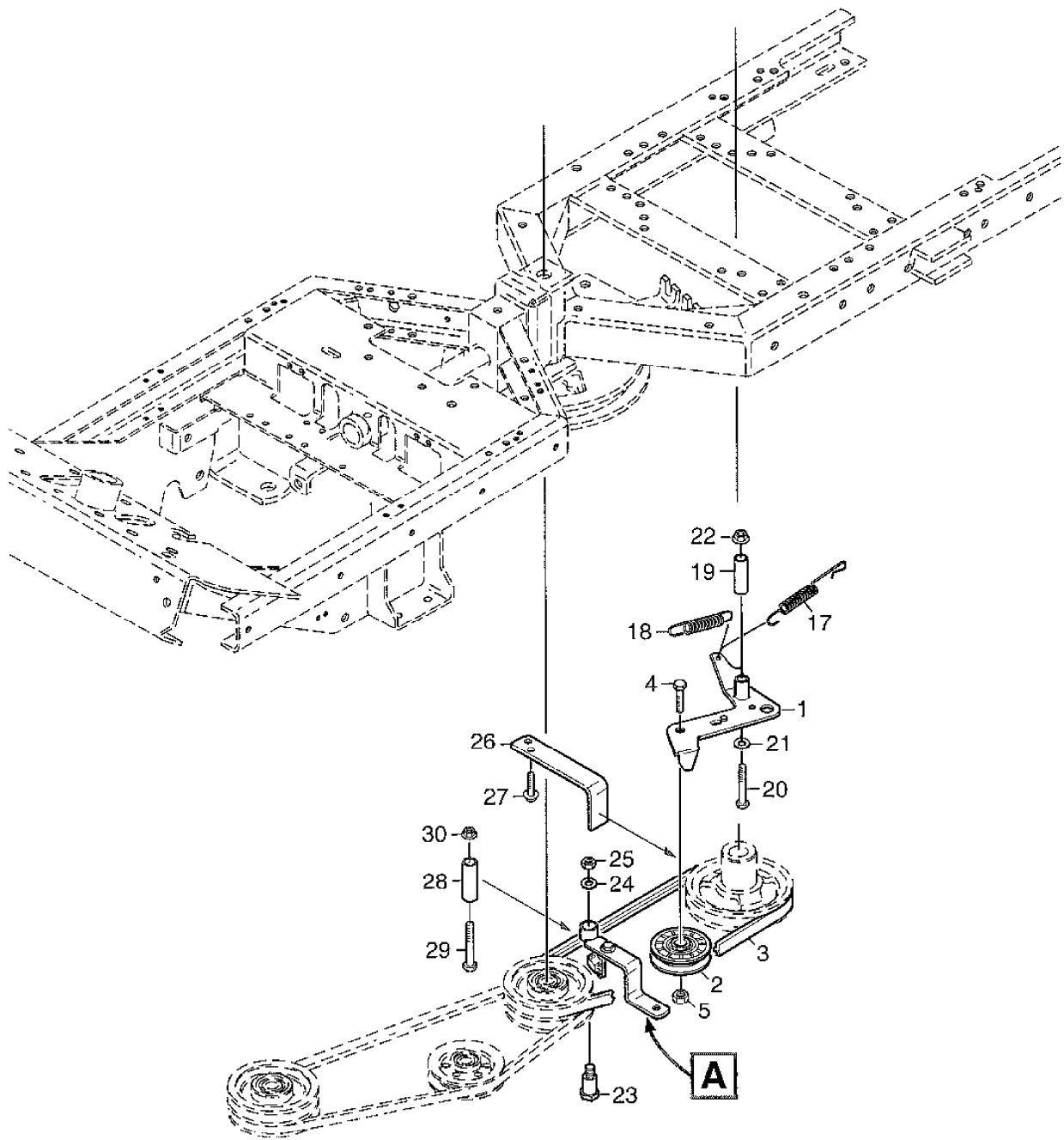
Section: PARK COMPACT 4WD FOOT CONTROLS

Pos.	Quantity	Spare part No	Description	Kit	Notes	New
	6104					
1	1	1134-5655-01	Brake/clutch pedal			
2	1	1134-9024-01	Bearing		Sats 4 st/kit of 4	
3	1	1134-5677-02	Spacer			
4	1	9997-1070-12	Screw			
5	1	9699-0030-02	Flat washer			
6	1	9739-1031-22	Nut			
7	1	1134-6005-01	Cable			
8	1	4231-0013-00	Spring			
9	1	1134-6467-01	Cable holder			
10	2	9959-0820-16	Screw			
11	1	9739-0831-22	Nut			
12	1	9747-0831-02	Lock nut			
13	1	1134-6353-01	Drive pedal			
14	2	1134-6313-01	Bearing			
15	2	1134-2700-01	Bracket			
16	2	9959-0820-16	Screw			
17	2	9739-0831-22	Nut			
18	1	9997-0835-16	Screw			
19	1	9739-0831-22	Nut			
22	1	1134-2766-05	Speed control cable			
23	2	9570-0001-00	Elbow link			
24	2	9739-0531-22	Nut			
25	2	9747-0531-02	Nut			
26	1	1134-6317-01	Cable holder			
28	2	9959-0620-16	Screw			
29	2	9739-0631-22	Nut			
30	1	1134-3395-01	Attachment			
31	2	9959-0820-16	Screw			
32	2	9739-0831-22	Nut			
33	1	1134-2021-01	Clamp			
34	1	1134-5353-01	Brake rod			
35	1	1134-2786-01	Plastic knob			
36	1	1131-1497-01	Spring			
37	1	1134-4002-01	Brake rod attachmen			
38	3	9838-9516-12	Screw			



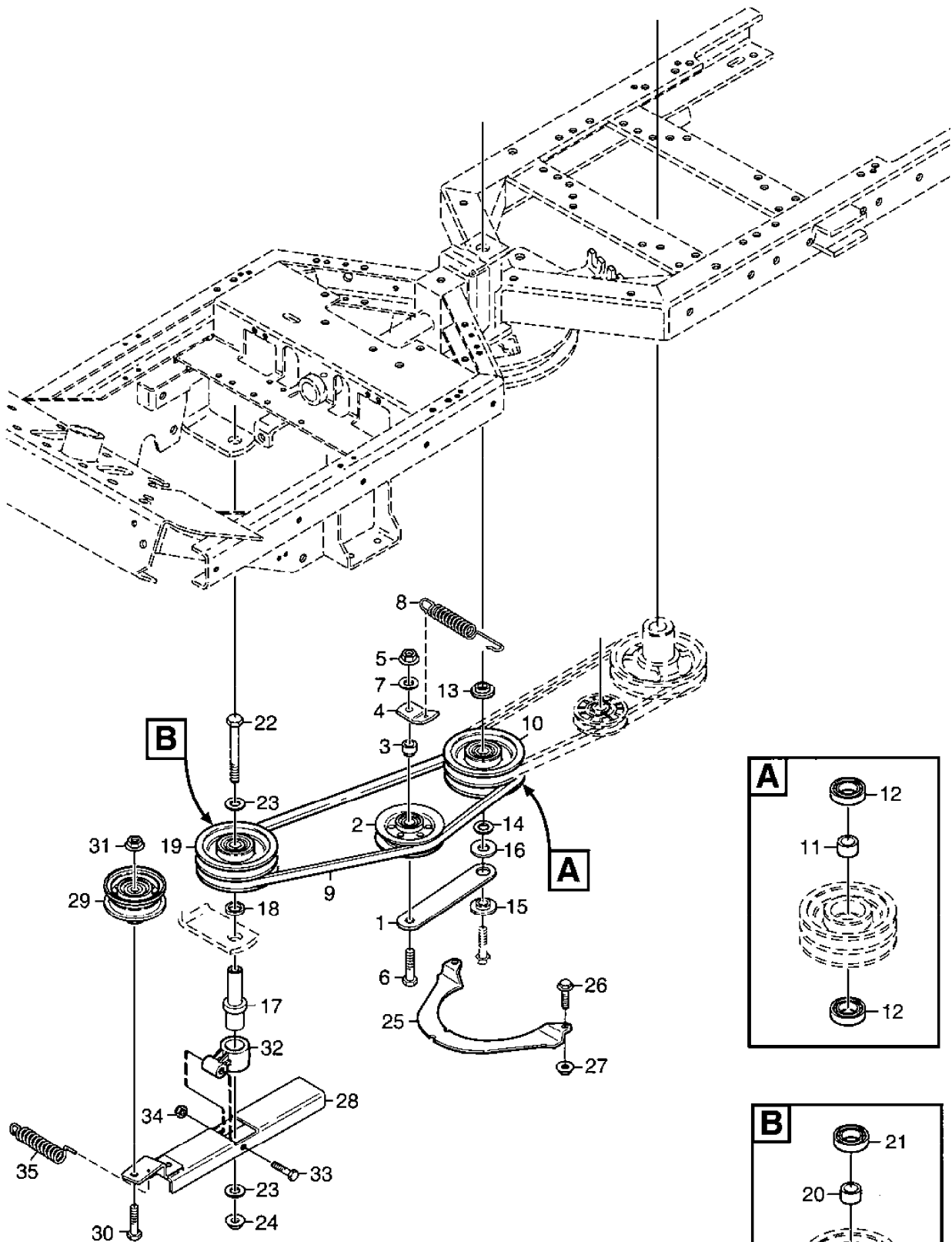
Section: PARK COMPACT 4WD FRAME

Pos.	Quantity	Spare part No	Description	Kit	Notes	New
	6104					
1	1	1134-5656-02	Frame-front			
2	1	1134-3963-02	.Clevis			
3	1	1134-0031-00	.Pivot shaft stop			
4	1	9595-0262-00	.Locating pin			
5	2	9501-0500-00	.Grease joint			
7	1	1134-6466-01	Frame-rear			
8	1	1134-5705-01	.Spacer			
9	2	9547-0001-00	.Bearing			
10	2	9501-0500-00	.Grease joint			
11	1	1134-5988-01	Centre shaft			
13	2	9699-0035-02	Flat washer			
14	2	9959-1025-16	Screw			
16	1	1134-6586-01	Floor plate			
17	1	1134-6372-04	Floor mat			
18	2	9893-0616-16	Screw			
19	2	9403-0048-70	Plug			
20	2	9945-0816-16	Screw			
21	2	9959-0820-16	Screw			
22	2	9739-0831-22	Nut			
31	1	1134-5337-02	Bumper-rear, grey			
32	2	1134-0240-00	Shoulder screw			
33	2	1134-4242-01	Spacer washer			
34	2	9665-0002-00	Bowed washer			
35	2	9747-0831-02	Lock nut			
36	2	9943-0516-16	Screw			
37	2	1134-5345-01	Attachment			
38	1	1134-5344-01	Battery shelf			
39	4	9945-0816-16	Screw			



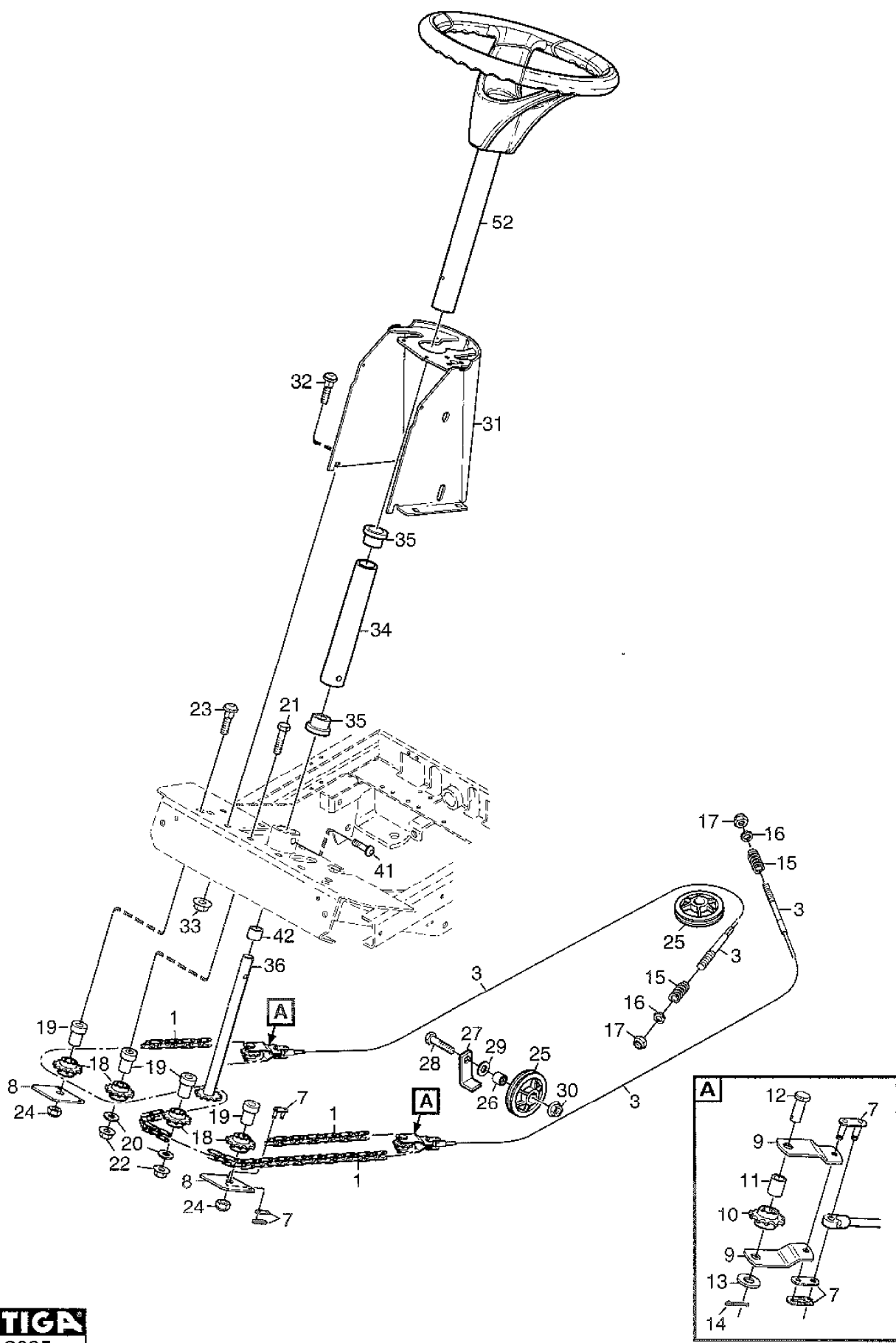
Section: PARK COMPACT 4WD POWER TAKE-OFF 1

Pos.	Quantity	Spare part No	Description	Kit	Notes	New
	6104					
1	1	1134-2018-02	Tension arm			
2	1	1134-9027-02	Tension roller-grey			
3	1	1134-9071-01	V-belt		= 9585-0129-01	
4	1	9997-1030-16	Screw			
5	1	9799-1031-02	Nut			
6	1	1134-4162-01	Brake rod			
7	1	9675-0008-02	Locking washer			
8	1	1134-4170-01	Nipple			
9	1	1134-4111-01	Brake arm			
10	1	1134-4164-03	Brake pad			
11	2	9699-0035-02	Flat washer			
12	1	9897-0825-16	Screw			
13	1	9747-0831-02	Lock nut			
14	1	9699-0090-02	Flat washer			
15	1	9699-0025-02	Washer			
16	1	9747-0631-02	Lock nut			
17	1	4231-0013-00	Spring			
18	1	1134-4231-01	Spring			
19	1	1134-1565-10	Spacer			
20	1	9997-0860-16	Screw			
21	1	9699-0056-02	Flat washer			
22	1	9739-0831-22	Nut			
23	1	1134-4163-01	Shoulder bolt			
24	1	9699-0035-02	Flat washer			
25	1	9739-1031-22	Nut			
26	1	1134-3958-01	Belt guide			
27	2	9893-0616-16	Screw			
28	1	1134-0041-03	Collar			
29	1	9997-1070-12	Screw			
30	1	9739-1031-22	Nut			



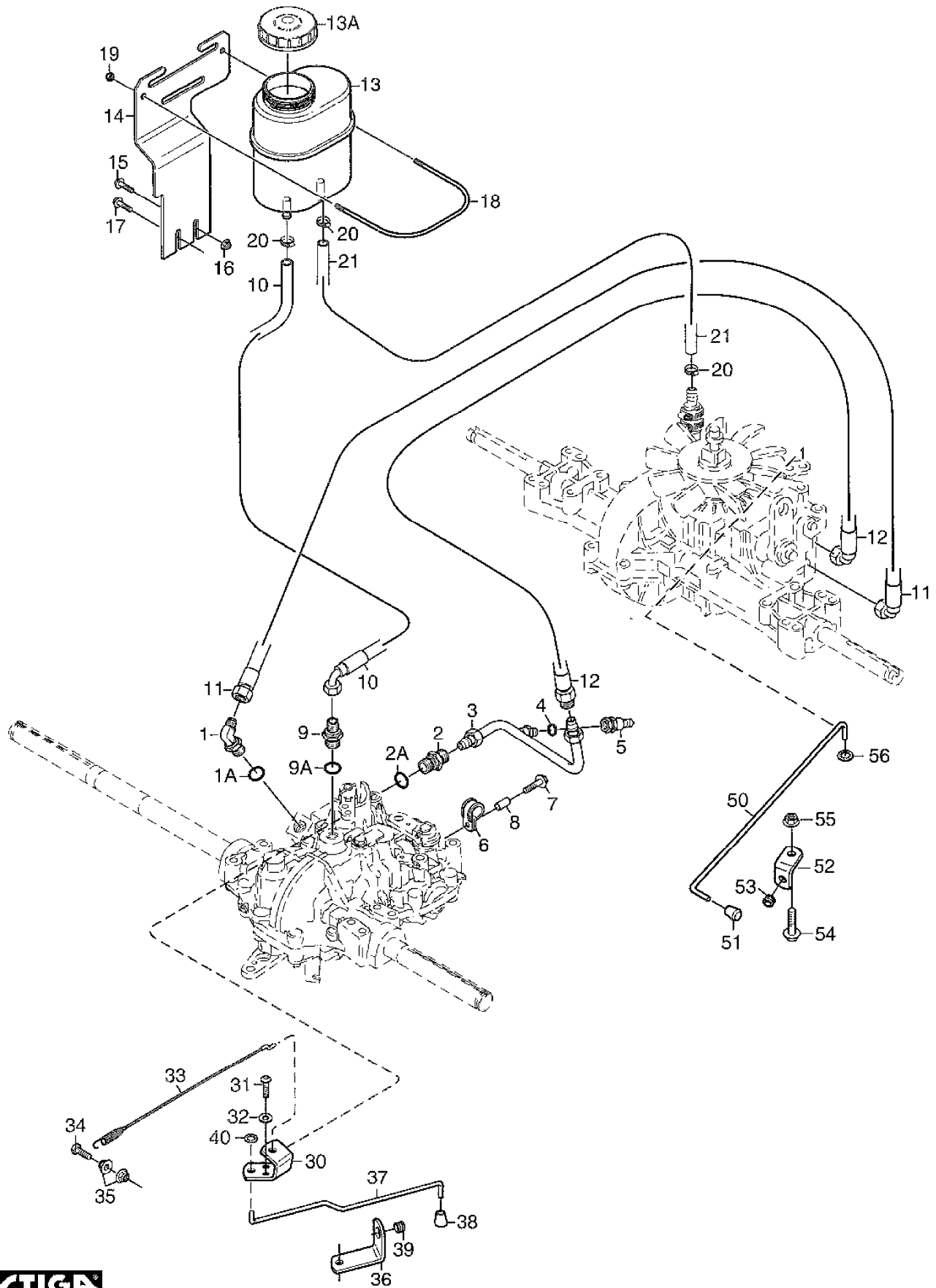
Section: PARK COMPACT 4WD POWER TAKE-OFF 2

Pos.	Quantity	Spare part No	Description	Kit	Notes	New
6104						
1	1	1134-1730-01	Tension wheel arm			
2	1	1134-3663-01	Tension wheel			
3	1	1134-1888-05	Spacer			
4	1	1134-1893-01	Spring attachment			
5	1	9739-1031-22	Nut			
6	1	9997-1060-12	Screw			
7	1	9699-0035-02	Flat washer			
8	1	1134-5713-01	Spring			
9	1	1134-9098-01	V-belt		= 9585-0148-01	
10	1	1134-1769-03	Centre pulley assy			
11	1	1134-0051-09	.Spacer			
12	2	9549-0019-00	.Ball bearing			
13	1	1134-5548-01	Spacer			
14	1	9699-0035-02	Flat washer			
15	1	1134-0222-00	Washer			
16	1	9699-0109-02	Flat washer			
17	1	1134-5663-01	Shaft			
18	1	1134-0052-00	Bearing spacer			
19	1	1134-1769-03	Centre pulley assy			
20	1	1134-0051-09	.Spacer			
21	2	9549-0019-00	.Ball bearing			
22	1	9997-1011-06	Screw			
23	2	9699-0030-02	Flat washer			
24	1	9739-1031-22	Nut			
25	1	1134-3654-01	Finger guard			
26	2	9959-0612-16	Screw			
27	2	9739-0631-22	Nut			
28	1	1134-5660-01	Tension arm			
29	1	1134-5823-01	Tension roller			
30	1	9997-1050-16	Screw			
31	1	9739-1031-22	Nut			
32	1	1134-6314-01	Attachment			
33	1	9997-0645-12	Screw			
34	1	9747-0631-02	Lock nut			
35	1	1134-5824-01	Spring			



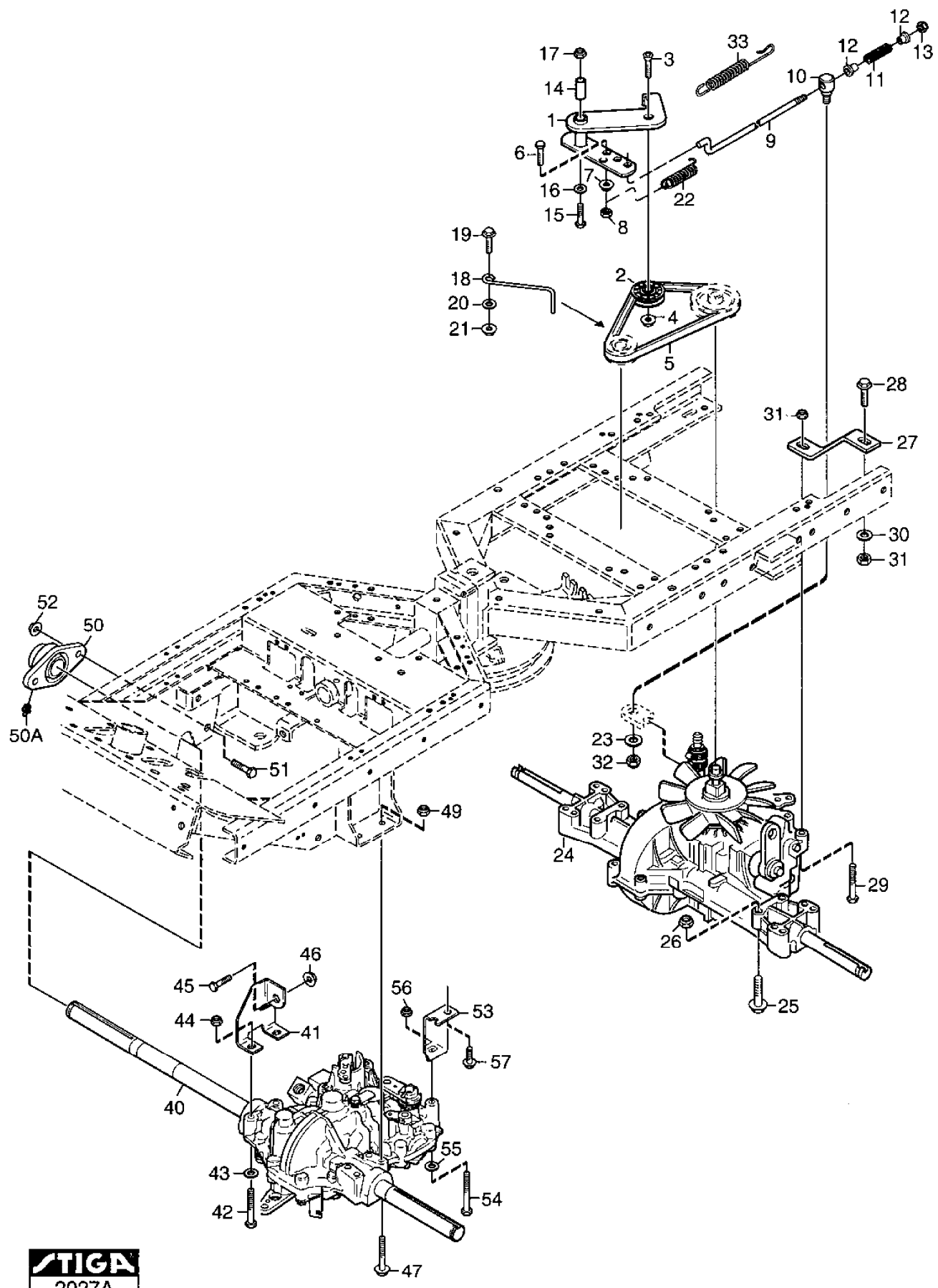
Section: PARK COMPACT 4WD STEERING

Pos.	Quantity	Spare part No	Description	Kit	Notes	New
	6104					
1	1	1134-6374-10	Chain		129 länk	
3	1	1134-9099-01	Steering cable assy		Sats vä+hö/kit L+R	
7	4	1134-2824-02	Chain lock			
8	2	1134-5652-01	Attachment			
9	4	1134-5651-01	Bracket			
10	2	1134-2816-01	Sprocket			
11	2	1134-0041-02	Idler wheel bush			
12	2	1134-4817-01	Pin			
13	2	9699-0035-02	Flat washer			
14	2	9599-0054-02	Cotter pin			
15	2	1134-3817-01	Compression spring			
16	2	9699-0090-02	Flat washer			
17	2	9747-0831-02	Lock nut			
18	4	1134-2816-01	Sprocket			
19	4	1134-5653-01	Spacer			
20	2	9699-0035-02	Flat washer			
21	2	9997-1060-12	Screw			
22	2	9739-1031-22	Nut			
23	2	9897-1060-12	Screw			
24	2	9731-1031-22	Nut			
25	2	1134-9025-01	Steering pulley-kit		Sats 2 st/kit of 2	
26	2	1134-0041-01	Bushing			
27	2	1134-0046-00	Wire clamp			
28	2	9997-1040-16	Screw			
29	2	9699-0035-02	Flat washer			
30	2	9739-1031-22	Nut			
31	1	1134-5349-01	Steering console-ye			
32	4	9897-0820-16	Screw			
33	4	9739-0831-22	Nut			
34	1	1134-1305-05	Steering column-low			
35	2	1134-1901-01	Bearing			
36	1	1134-2821-05	Steering rod			
41	2	9893-0616-16	Screw			
42	1	1134-2837-03	Spacer			
52	1	1134-5496-01	Steering wheel			



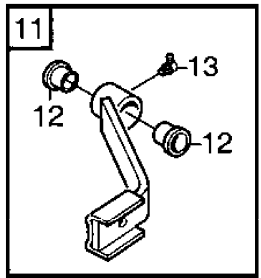
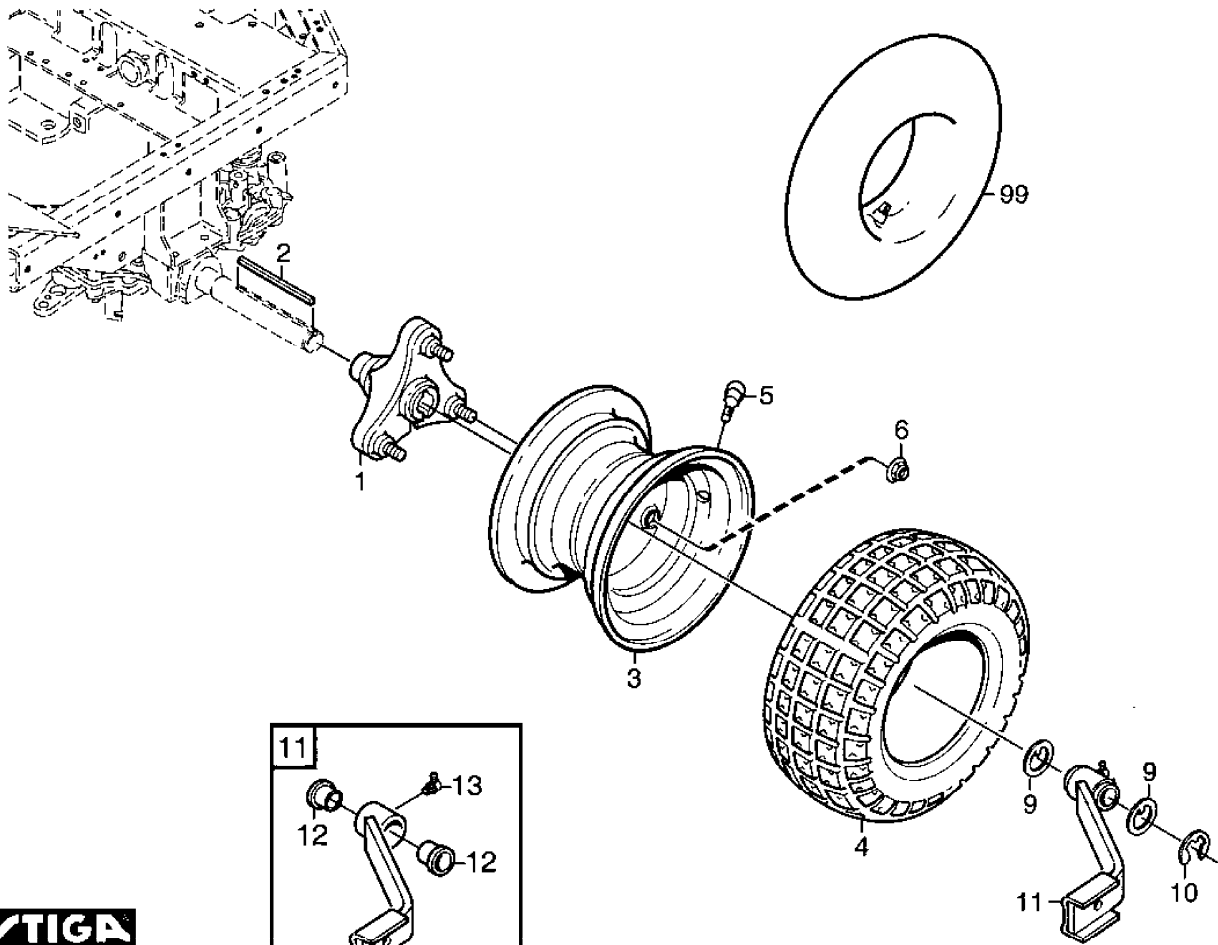
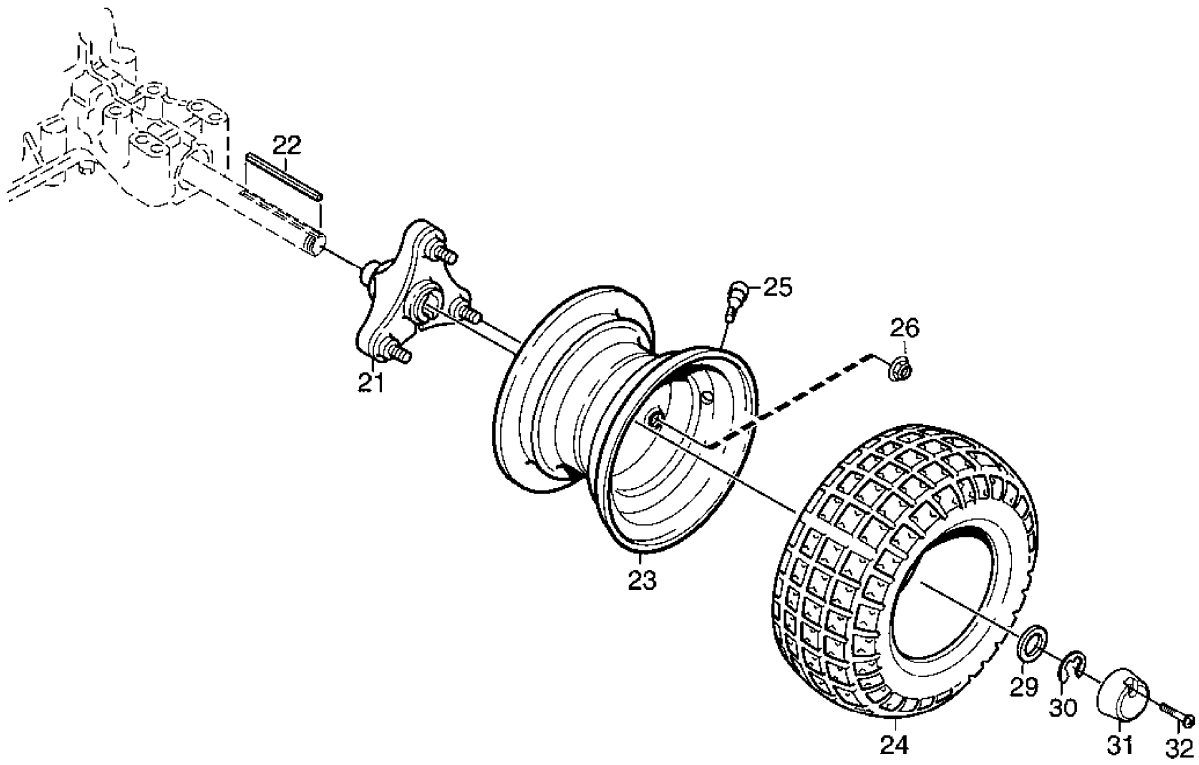
Section: PARK COMPACT 4WD TRANSMISSION (hydraulic parts)

Pos.	Quantity	Spare part No	Description	Kit	Notes	New
6104						
1	1	1134-6044-01	Angle coupling		3/4" x 9/16"	
1A	1	9404-0029-01	.O-ring			
2	1	1134-5875-01	Hydraulic coupling		3/4"	
2A	1	9404-0029-01	.O-ring			
3	1	1134-6039-01	Hydraulic pipe			
4	1	1134-4948-01	Seal washer		1/4"	
5	1	1134-6042-01	Quick coupling-male			
6	1	9578-0028-01	Tube clamp			
7	1	9959-0825-16	Screw			
8	1	1134-1565-09	Spacer			
9	1	1134-5809-01	Hydraulic coupling		3/4" x 9/16"	
9A	1	9404-0029-01	.O-ring			
10	1	1134-5758-01	Hydraulic tube			
11	1	1134-6048-01	Hydraulic tube			
12	1	1134-6043-01	Hydraulic tube			
13	1	1134-6011-01	Hydraulic oil tank			
13A	1	1134-5965-01	.Tank cap			
14	1	1134-6009-01	Tank bracket			
15	1	9959-0820-16	Screw			
16	1	9739-0831-22	Nut			
17	1	9945-0816-16	Screw			
18	1	1134-6030-01	Tank loop			
19	2	9747-0631-02	Lock nut			
20	3	9578-0023-04	Hose clamp			
21	1	1134-2779-08	Tube		L = 165 mm	
30	1	1134-6162-01	Bracket			
31	2	9939-0612-16	Screw			
32	2	9699-0025-02	Washer			
33	1	1134-6163-01	Cable			
34	1	9997-0835-12	Screw			
35	2	9739-0831-22	Nut			
36	1	1134-6084-01	Control bracket			
37	1	1134-6083-01	Control rod			
38	1	1134-4014-01	Plastic button			
39	1	1134-2790-01	Rubber grommet			
40	1	9675-0009-02	Starlock			
50	1	1134-4015-01	Pull rod			
51	1	1134-4014-01	Plastic button			
52	1	1134-4713-01	Bracket			
53	1	1134-2790-01	Rubber grommet			
54	1	9959-0820-16	Screw			
55	1	9739-0831-22	Nut			
56	1	9675-0009-02	Starlock			



Section: PARK COMPACT 4WD TRANSMISSION (mechanical parts)

Pos.	Quantity	Spare part No	Description	Kit	Notes	New
	6104					
1	1	1134-4000-02	Tension arm			
2	1	1134-3459-01	Tension roller			
3	1	9924-1035-16	Screw			
4	1	9799-1031-02	Nut			
5	1	1134-9058-01	V-belt		= 9585-0091-01	
6	1	9997-0625-16	Screw			
7	1	9739-0631-22	Nut			
8	1	9747-0631-02	Lock nut			
9	1	1134-3377-02	Control rod			
10	1	1134-4171-01	Pivot pin			
11	1	1134-4183-01	Compression spring			
12	2	1134-3456-01	Bushing			
13	1	9747-0631-02	Lock nut			
14	1	1134-1565-08	Spacer			
15	1	9997-0870-16	Screw			
16	1	9699-0056-02	Flat washer			
17	1	9747-0831-02	Lock nut			
18	1	1134-3289-02	Belt guide			
19	1	9959-0820-16	Screw			
20	1	9699-0056-02	Flat washer			
21	1	9739-0831-22	Nut			
22	1	1134-6414-01	Spring			
23	1	9699-0060-02	Flat washer			
24	1	1134-6394-01	Transaxle assy		Kanzaki K574G	
25	4	9960-0860-12	Screw			
26	4	9747-0831-02	Lock nut			
27	1	1134-3913-01	Strut			
28	1	9959-0825-16	Screw			
29	1	9997-0845-12	Screw			
30	1	9699-0090-02	Flat washer			
31	2	9747-0831-02	Lock nut			
32	1	9747-0631-02	Lock nut			
33	1	4231-0013-00	Spring			
40	1	1134-6029-01	Transaxle-front		Kanzaki KTM 10M	
41	1	1134-5650-01	Transaxle bracket			
42	2	9997-0860-16	Screw			
43	2	9699-0090-02	Flat washer			
44	2	9747-0831-02	Lock nut			
45	1	9959-1025-16	Screw			
46	1	9731-1031-22	Nut			
47	2	9960-0860-12	Screw			
49	2	9747-0831-02	Lock nut			
50	1	1134-5703-01	Flange bearing			
50A	1	9501-0500-00	.Grease joint			
51	2	9997-1040-16	Screw			
52	2	9731-1031-22	Nut			
53	1	1134-5670-01	Strut			
54	1	9997-0880-16	Screw			
55	1	9699-0090-02	Flat washer			
56	1	9747-0831-02	Lock nut			
57	2	9945-0816-16	Screw			



Section: PARK COMPACT 4WD WHEELS

Pos.	Quantity	Spare part No	Description	Kit	Notes	New
6104						
1	2	1134-4844-03	Wheel hub			
2	2	1134-3383-02	Key			
3	2	1134-4558-01	Rim			
4	2	9545-0116-00	Tyre		16 x 7.50 - 8	
5	2	9545-0500-00	Valve			
6	6	9731-1031-22	Nut			
9	4	1134-5797-01	Washer			
10	2	9653-0002-04	Lock ring			
11	2	1134-5886-01	Tool attachment ass			
12	2	1134-5686-01	.Bearing bush			
13	1	9501-0502-00	.Grease joint			
21	2	1134-4844-02	Wheel hub			
22	2	1134-2471-01	Key			
23	2	1134-4558-01	Rim			
24	2	9545-0116-00	Tyre		16 x 7.50 - 8	
25	2	9545-0500-00	Valve			
26	6	9731-1031-22	Nut			
29	2	9699-0042-02	Flat washer			
30	2	9653-0001-04	Lock ring			
31	2	1134-4796-01	Hub cap			
32	2	9947-0540-19	Screw			
99		9545-0203-00	Inner tube		Reservdel/spare par	