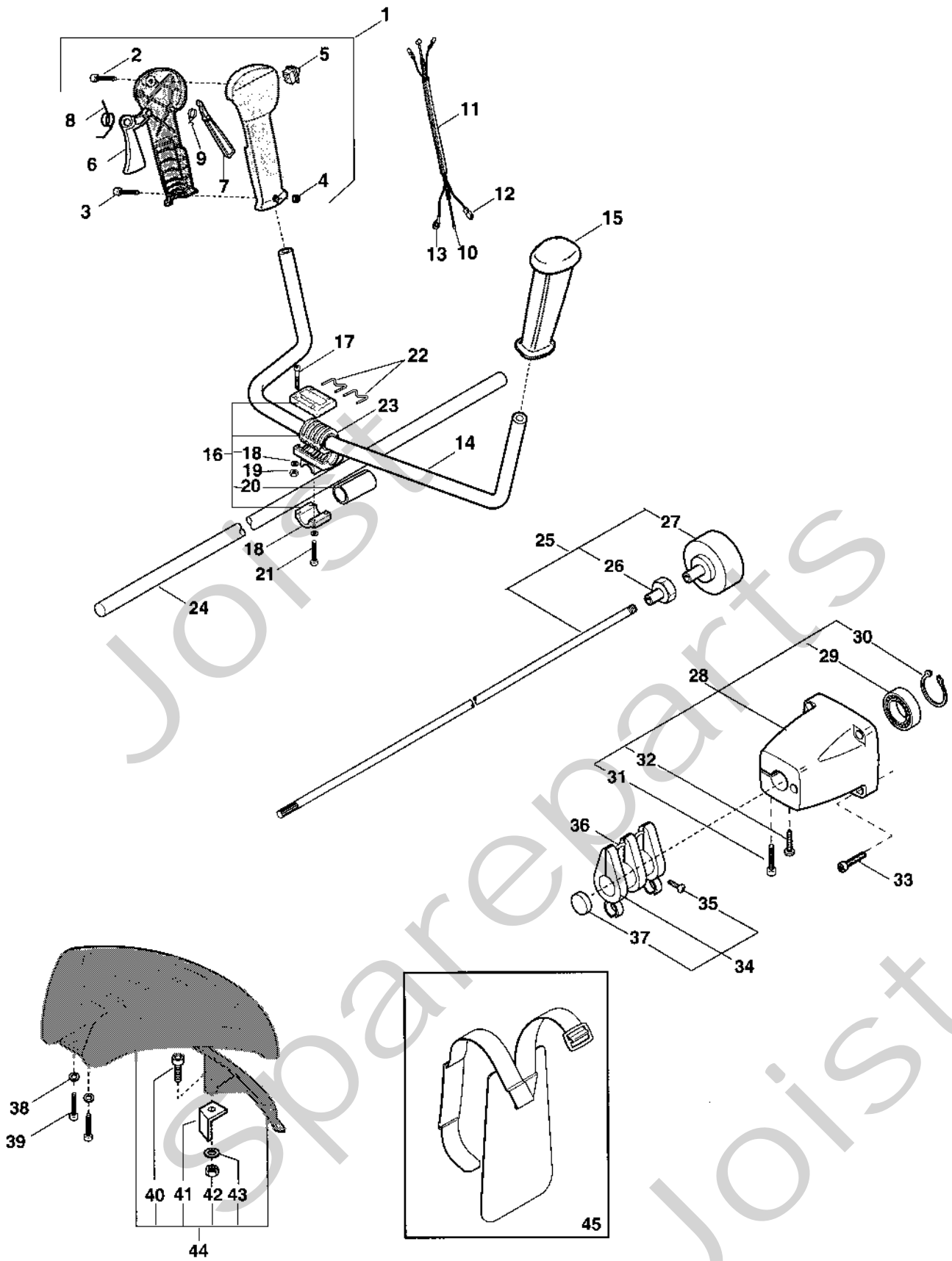


# Genuine Spare Parts

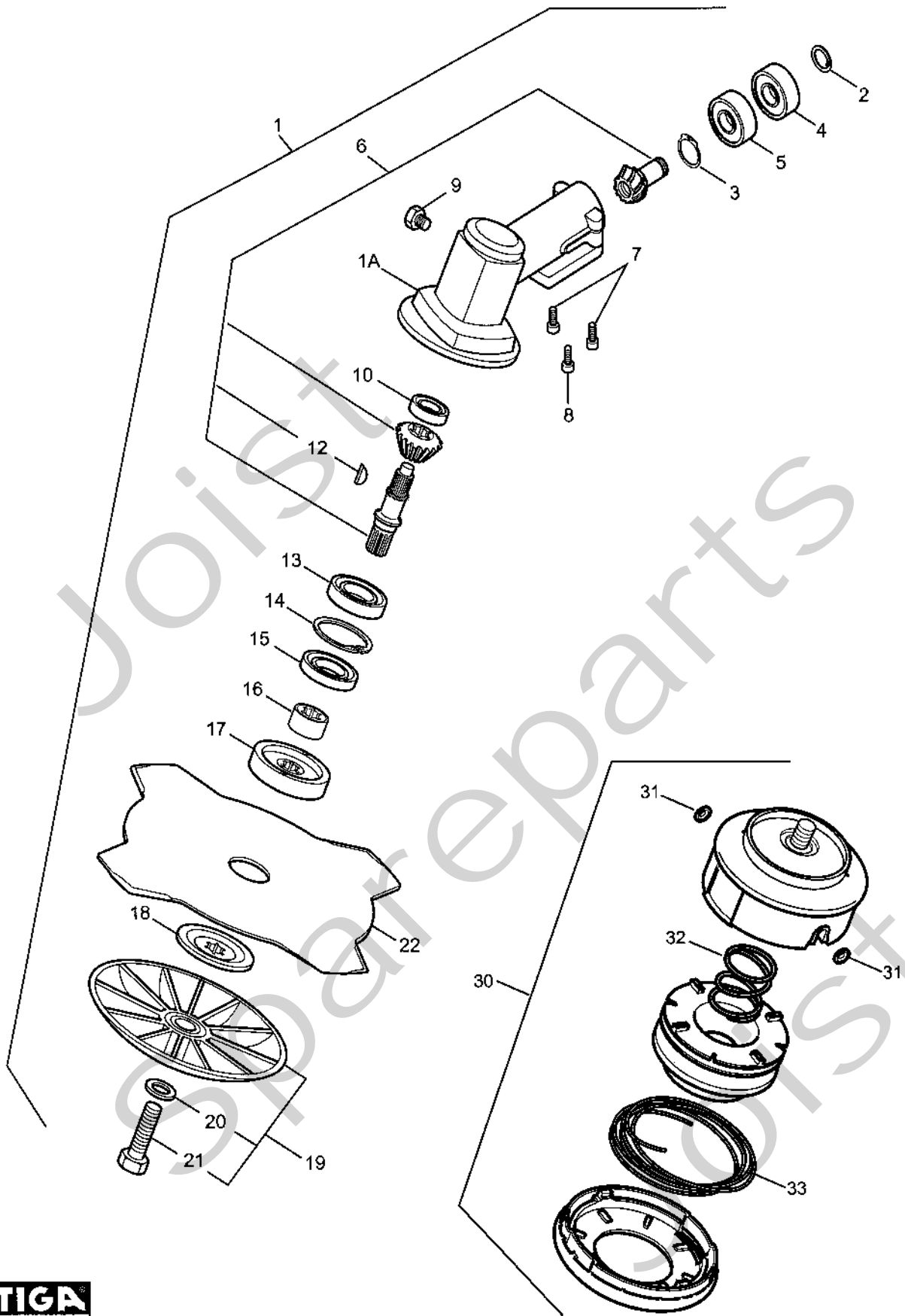
---



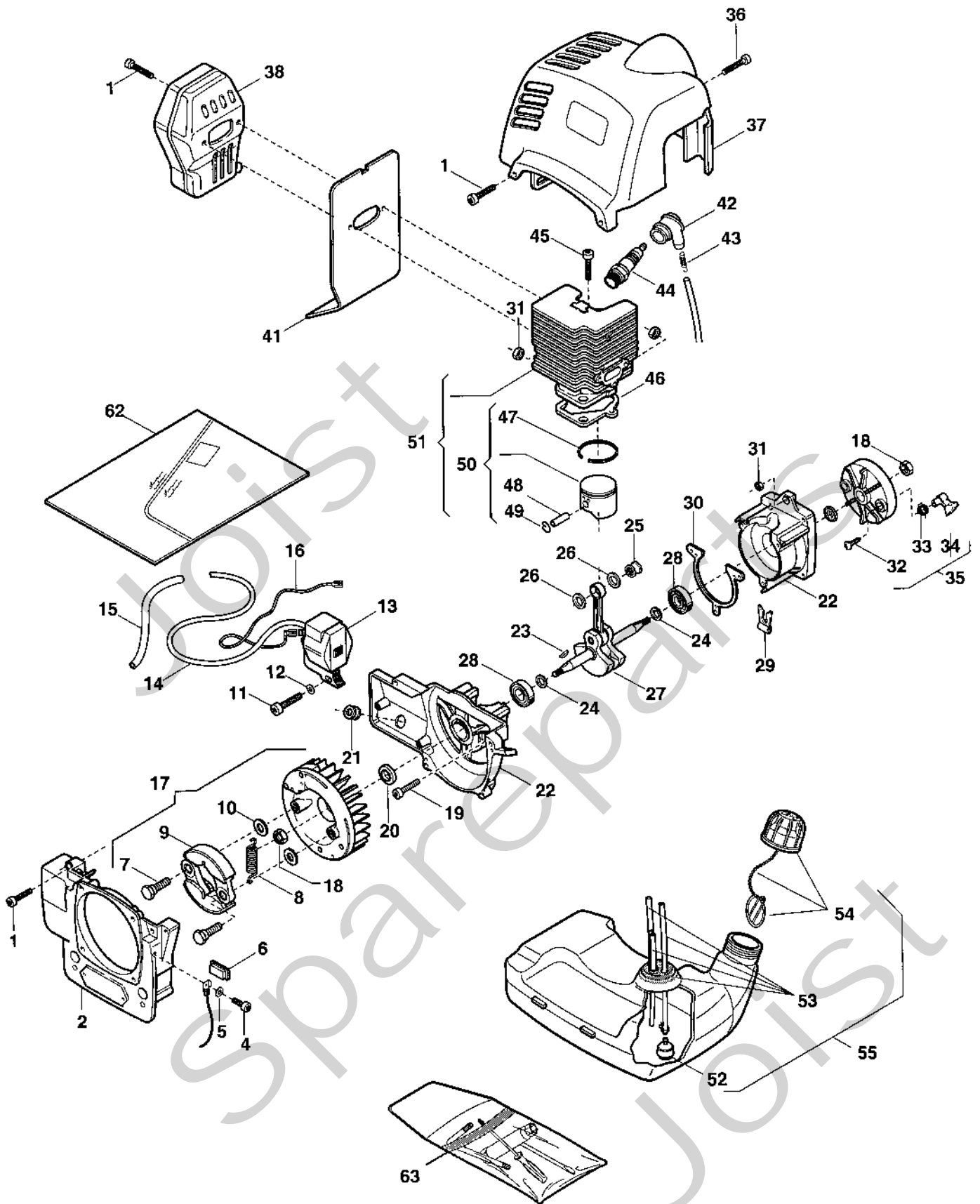
Joist  
Spareparts  
Joist



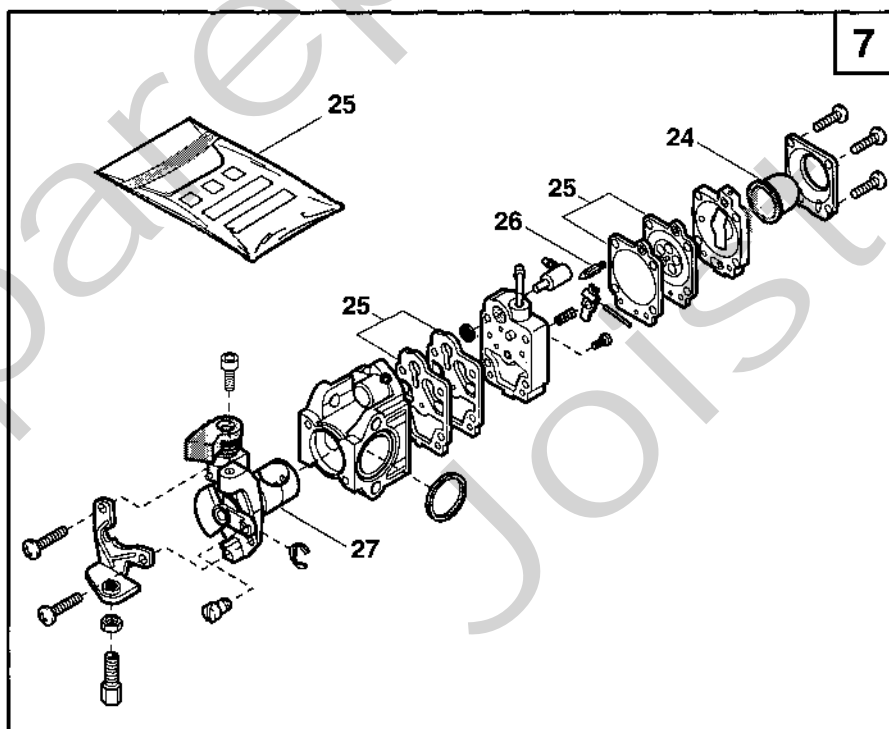
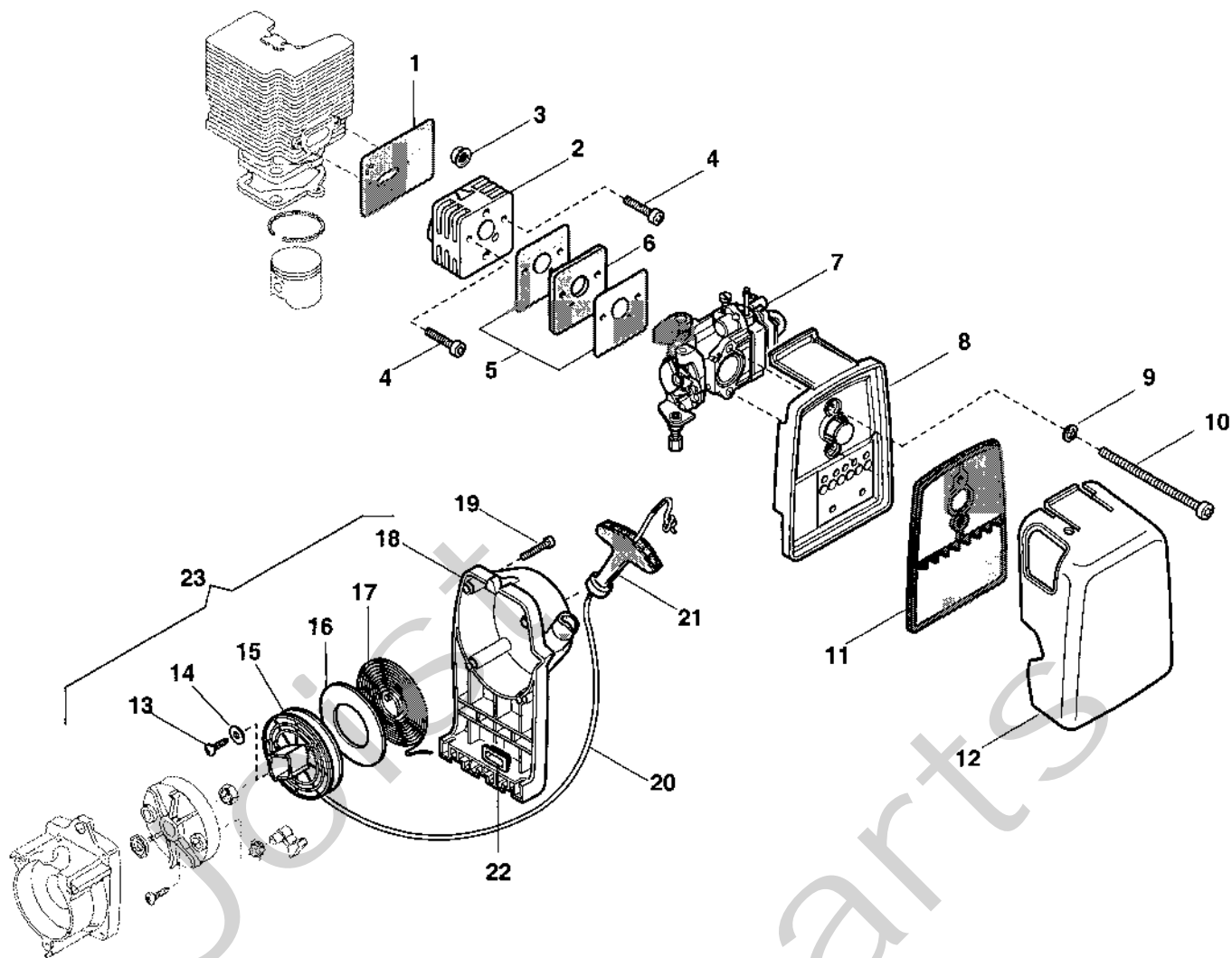
Utgåva Issue 2003-43		Bildnr Picture No 1487		SB 30 RÖJARE RIGG		SB 30 BRUSH CUTTER DRIVE SHAFT		Sida Page 280	
Pos. Fig.	Antal/Quantity			Art nr Part No	Benämning	Description	Sats Kit	Anmärkning Notes	
	6112								
1	1			1911-3203-01	Handtag kpl .....	Handle Assy .....		Inkl. pos 2 - 9	
2	1			1911-3001-01	• Skruv .....	• Screw .....			
3	1			1911-3008-01	• Skruv .....	• Screw .....			
4	1			9747-0531-02	• Mutter .....	• Nut .....			
5	1			1911-3053-01	• Stoppkontakt .....	• Stop switch .....			
6	1			1911-3108-01	• Gasreglage .....	• Throttle lever .....			
7	1			1911-3109-01	• Säkerhetsspärr .....	• Safety lever .....			
8	1			1911-3089-01	• Fjäder .....	• Spring .....			
9	1			1911-3090-01	• Fjäder .....	• Spring .....			
10	1			1911-3720-01	Gaswire .....	Throttle wire .....			
11	1			1911-3704-01	Wirehölje .....	Wire sheath .....			
12	1			1911-3675-01	Brytarkabel .....	Switch cable .....			
13	1			1911-3676-01	Jordkabel .....	Earth cable .....			
14	1			1911-3719-01	Handtag kpl .....	Handle Assy .....		Inkl. pos 15 - 23	
15	1			1911-3114-01	• Handtag- vä .....	• Knob- left .....			
16	1			1911-3818-01	• Handtagsstöd kpl .....	• Handgrip support Assy .....		Inkl. pos 17 - 21	
17	4			1911-3263-01	• Skruv .....	• Screw .....			
18	4			1911-3015-01	• Bricka .....	• Washer .....			
19	4			9747-0531-02	• Mutter .....	• Nut .....			
20	1			1911-3691-01	• Gummihylsa .....	• Rubber facing .....			
21	4			1911-3003-01	• Skruv .....	• Screw .....			
22	2			1911-3688-01	• Handtagslås .....	• Handle lock .....			
23	2			1911-3698-01	• Vibrationsdämpare .....	• Vibration grommet .....			
24	1			1911-3820-01	Transmissionsrör .....	Transmission tube .....			
25	1			1911-3712-01	Drivaxel kpl .....	Transmission shaft .....		Inkl. pos 26 - 27	
26	1			1911-3684-01	• Lagernav .....	• Bearing hub .....			
27	1			1911-3707-01	• Kopplingsstrumma .....	• Clutch drum .....			
28	1			1911-3828-01	Transm.stöd kpl .....	Transm.support Assy .....		Inkl. pos 29 - 32	
29	1			1911-3035-01	• Kullager .....	• Ball bearing .....			
30	1			1911-3066-01	• Låsring .....	• Lock ring .....			
31	2			1911-3251-01	• Skruv .....	• Screw .....			
32	1			1911-3657-01	• Skruv .....	• Screw .....			
33	4			1911-3012-01	Skruv .....	Screw .....			
34	1			1911-3829-01	Stöd kpl- sele .....	Support Assy- harness .....		Inkl. pos 35, 37	
35	4			1911-3251-01	• Skruv .....	• Screw .....			
36	1			1911-3685-01	Stift .....	Pin .....			
37	2			1911-3691-01	• Gummihylsa .....	• Rubber facing .....			
38	2			1911-3216-01	Bricka .....	Washer .....			
39	2			1911-3009-01	Skruv .....	Screw .....			
40	1			1911-3006-01	• Skruv .....	• Screw .....			
41	1			1911-3077-01	• Kniv .....	• Line cutter .....			
42	1			1911-3022-01	• Mutter .....	• Nut .....			
43	1			1911-3216-01	• Bricka .....	• Washer .....			
44	1			1911-3201-01	Säkerhetsskydd kpl .....	Safety cover Assy .....		Inkl. pos 40 - 43	
45	1			1911-3724-01	Sele .....	Harness .....			
99	1			1911-3212-01	Skyddsglasögon .....	Protective goggles .....		Ej ill/not ill.	



Utgåva Issue		Bildnr Picture No		SB 28- SB 30 RÖJARE SNÄCKVÄXEL		SB 28- SB 30 BRUSH CUTTER GEAR CASE		Sida Page	
2003- 43		1488A						282	
Pos. Fig.	Antal/Quantity			Art nr Part No	Benämning	Description	Sats Kit	Anmärkning Notes	
	6111	6112							
1	1			1911-3710-01	Snäckväxel kpl.....	Gear case assy.....		Inkl. pos 2 - 21	
1A	1			1911-3729-01	Snäckväxelhus.....	Gear case.....			
2	1			1911-3678-01	• Låsring.....	• Lock ring.....			
3	1			1911-3677-01	• Låsring.....	• Lock ring.....			
4	1			1911-3662-01	• Kullager.....	• Ball bearing.....			
5	1			1911-3038-01	• Kullager.....	• Ball bearing.....			
6	1			1911-3817-01	• Snäckdrev.....	• Worm gear.....			
7	2			1911-3008-01	• Skruv.....	• Screw.....			
8	1			1911-3025-01	• Skruv.....	• Screw.....			
9	1			1911-3029-01	• Skruv.....	• Screw.....			
10	1			1911-3663-01	• Kullager.....	• Ball bearing.....			
12	1			1911-3049-01	• Kil.....	• Key.....			
13	1			1911-3039-01	• Kullager.....	• Ball bearing.....			
14	1			1911-3679-01	• Låsring.....	• Lock ring.....			
15	1			1911-3664-01	• Tätningring.....	• Seal ring.....			
16	1			1911-3690-01	• Hylsa.....	• Collar.....			
17	1			1911-3683-01	• Ringmutter- övre.....	• Ring nut- upper.....			
18	1			1911-3680-01	• Ringmutter- nedre.....	• Ring nut- lower.....			
19	1			1911-3163-01	• Skål kpl (fast).....	• Bowl assy (fixed).....		Inkl. pos 20 - 21	
20	1			1911-3018-01	• Bricka.....	• Washer.....			
21	1			1911-3026-01	• Skruv (vå- gängad).....	• Screw (LH- thread).....			
22	1			1911-3179-01	Röjklinga.....	Clearing blade.....		4T - Ø 255 mm	
X 22A	1			1911-3850-01	Klingskydd.....	Blade guard.....		Ej ill/not ill.	
X 30	1			1911-3877-01	Skärhuvud kpl.....	Cutterhead assy.....		Inkl. pos 31 - 32	
X 31	2			1911-3875-01	• Trådhylsa.....	• Line inlet.....			
X 32	1			1911-3876-01	• Fjäder.....	• Spring.....			
33	1			1911-9008-04	Skärtråd (2.4 mm).....	Cutting line (2.4 mm).....		0.45 kg (90 m)	
33	1			1911-9008-08	Skärtråd (2.4 mm).....	Cutting line (2.4 mm).....		15 m	
X 99	1			1911-3853-01	Fettub.....	Grease tube.....		Ej ill/not ill.	



Utgåva Issue 2003-43		Bildnr Picture No 1489		SB 28- SB 30 RÖJARE MOTOR		SB 28- SB 30 BRUSH CUTTER ENGINE		Sida Page 284	
Pos. Fig.	Antal/Quantity			Art nr Part No	Benämning	Description	Sats Kit	Anmärkning Notes	
	6111	6112							
1	12			1911-3007-01	Skruv .....	Screw .....			
2	1			1911-3731-01	Transm.stödhus .....	Transm.support case .....			
4	1			1911-3005-01	Skruv .....	Screw .....			
5	1			1911-3016-01	Bricka .....	Washer .....			
6	4			1911-3117-01	Gummikudde .....	Grommet .....			
7	2			1911-3661-01	• Skruv .....	• Screw .....			
8	1			1911-3686-01	Fjäder .....	Spring .....			
9	2			1911-3689-01	• Kopplingsenhet .....	• Clutch unit .....			
10	2			1911-3659-01	• Bricka .....	• Washer .....			
11	2			1911-3259-01	Skruv .....	Screw .....			
12	2			1911-3272-01	Bricka .....	Washer .....			
13	1			1911-3667-01	Elektronikspole .....	Electronic coil .....			
14	1			1911-3055-01	Tändstiftskabel .....	Spark plug cable .....			
15	1			1911-3128-01	Kabelhölje .....	Wire sheath .....			
16	1			1911-3060-01	Jordkabel .....	Ground cable .....			
17	1			1911-3713-01	Svånghjul kpl .....	Flywheel assy .....		Inkl. pos 7, 9, 10	
18	2			1911-3030-01	Mutter .....	Nut .....			
19	3			1911-3008-01	Skruv .....	Screw .....			
20	2			1911-3043-01	Tätningring .....	Seal ring .....			
21	1			1911-3116-01	Gummihylsa .....	Grommet .....			
22	1			1911-3827-01	Vevhus .....	Crankcase .....			
23	1			1911-3048-01	Svånghjulsbil .....	Flywheel key .....			
24	2			1911-3072-01	Bricka .....	Washer .....			
25	1			1911-3042-01	• Nällager .....	• Needle bearing .....			
26	2			1911-3682-01	•• Bricka .....	•• Washer .....			
27	1			1911-3715-01	Vevaxel kpl .....	Crankshaft assy .....		Inkl. pos 25	
28	2			1911-3039-01	Kullager .....	Ball bearing .....			
29	1			1911-3121-01	Kabelhållare .....	Cable guide .....			
30	1			1911-3692-01	• Packning .....	• Gasket .....			
31	5			1911-3022-01	Mutter .....	Nut .....			
32	2			1911-3002-01	• Skruv .....	• Screw .....			
33	2			1911-3087-01	• Fjäder .....	• Spring .....			
34	2			1911-3118-01	• Startspärr .....	• Starter hook .....			
35	1			1911-3822-01	Startkopp kpl .....	Starter cup assy .....		Inkl. pos 32 - 34	
36	1			1911-3006-01	Skruv .....	Screw .....			
37	1			1911-3736-01	Cylinderkåpa .....	Cylinder cover .....			
38	1			1911-3708-01	Ljuddämpare .....	Muffler .....			
41	1			1911-3694-01	• Packning .....	• Gasket .....			
42	1			1911-3113-01	Tändstiftshylsa .....	Spark plug cover .....			
43	1			1911-3093-01	Tändstiftsfjäder .....	Spark plug spring .....			
44	1			9400-0258-00	Tändstift .....	Spark plug .....		Champion CJ7Y	
45	2			1911-3011-01	Skruv .....	Screw .....			
46	1			1911-3693-01	• Packning .....	• Gasket .....			
47	1			1911-3665-01	•• Kolvring .....	•• Piston ring .....			
48	1			1911-3666-01	•• Kolvbult .....	•• Piston pin .....			
49	2			1911-3069-01	•• Låsring .....	•• Lock ring .....			
50	1			1911-3826-01	• Kolv kpl .....	• Piston assy .....		Inkl. pos 26, 47 - 49	
51	1			1911-3825-01	Cylinder kpl m.kolv .....	Cylinder assy w.pisto .....		Inkl. pos 50	
52	1			1911-3150-01	• Bränslefilter .....	• Intake filter .....			
53	1			1911-3208-01	• Slangtätning kpl .....	• Hose grommet assy .....			
54	1			1911-3207-01	• Tanklock .....	• Fuel cap .....			
55	1			1911-3716-01	Bränsletank kpl .....	Fuel tank assy .....		Inkl. pos 52 - 54	
62	1			1911-3833-01	Packningssats .....	Gasket set .....		Inkl. pos 30, 41, 46	
63	1			1911-3723-01	Påse m.verktyg .....	Bag w.tools .....			





Utgåva Issue 2003-43		Bildnr Picture No 1490		SB 28- SB 30 RÖJARE START FÖRGASARE		SB 28- SB 30 BRUSH CUTTER STARTER CARBURETTOR		Sida Page 286	
Pos. Fig.	Antal/Quantity			Art nr Part No	Benämning	Description	Sats Kit	Anmärkning Notes	
	6111	6112							
1	1			1911-3104-01	Packning.....	Gasket.....			
2	1			1911-3122-01	Insugningsrör.....	Intake manifold.....			
3	2			1911-3031-01	Mutter.....	Nut.....			
4	2			1911-3008-01	Skruv.....	Screw.....			
5	2			1911-3107-01	Packning.....	Gasket.....			
6	1			1911-3132-01	Värmedistans.....	Heat block.....			
7	1			1911-3725-01	Förgasare kpl.....	Carburettor assy.....		WYJ304	
8	1			1911-3835-01	Luftfilterhållare.....	Air filter holder.....			
9	2			1911-3015-01	Bricka.....	Washer.....			
10	2			1911-3014-01	Skruv.....	Screw.....			
11	1			1911-3702-01	Luftfilter.....	Air filter.....			
12	1			1911-3737-01	Filterlock.....	Filter cover.....			
13	1			1911-3002-01	• Skruv.....	• Screw.....			
14	1			1911-3071-01	• Bricka.....	• Washer.....			
15	1			1911-3164-01	• Línhjul.....	• Starter pulley.....			
16	1			1911-3096-01	• Skiva.....	• Disc.....			
17	1			1911-3176-01	• Startfjäder.....	• Starter spring.....			
18	1			1911-3832-01	• Starthus.....	• Starter case.....			
19	4			1911-3007-01	• Skruv.....	• Screw.....			
20	1			1911-3130-01	• Startsnöre.....	• Starter cord.....			
21	1			1911-3479-01	• Starthandtag.....	• Starter handle.....			
22	4			1911-3117-01	• Gummikudde.....	• Grommet.....			
23	1			1911-3718-01	Start kpl.....	Starter assy.....		inkl. pos 13 - 22	
24	1			1911-3115-01	Primer.....	Primer bulb.....			
25	1			1911-3157-01	Packning- membransats.....	Gasket- diaphragm set.....			
26	1			1911-3158-01	Reparationssats.....	Repair set.....			
27	1			1911-3727-01	Ventil.....	Floating valve.....			