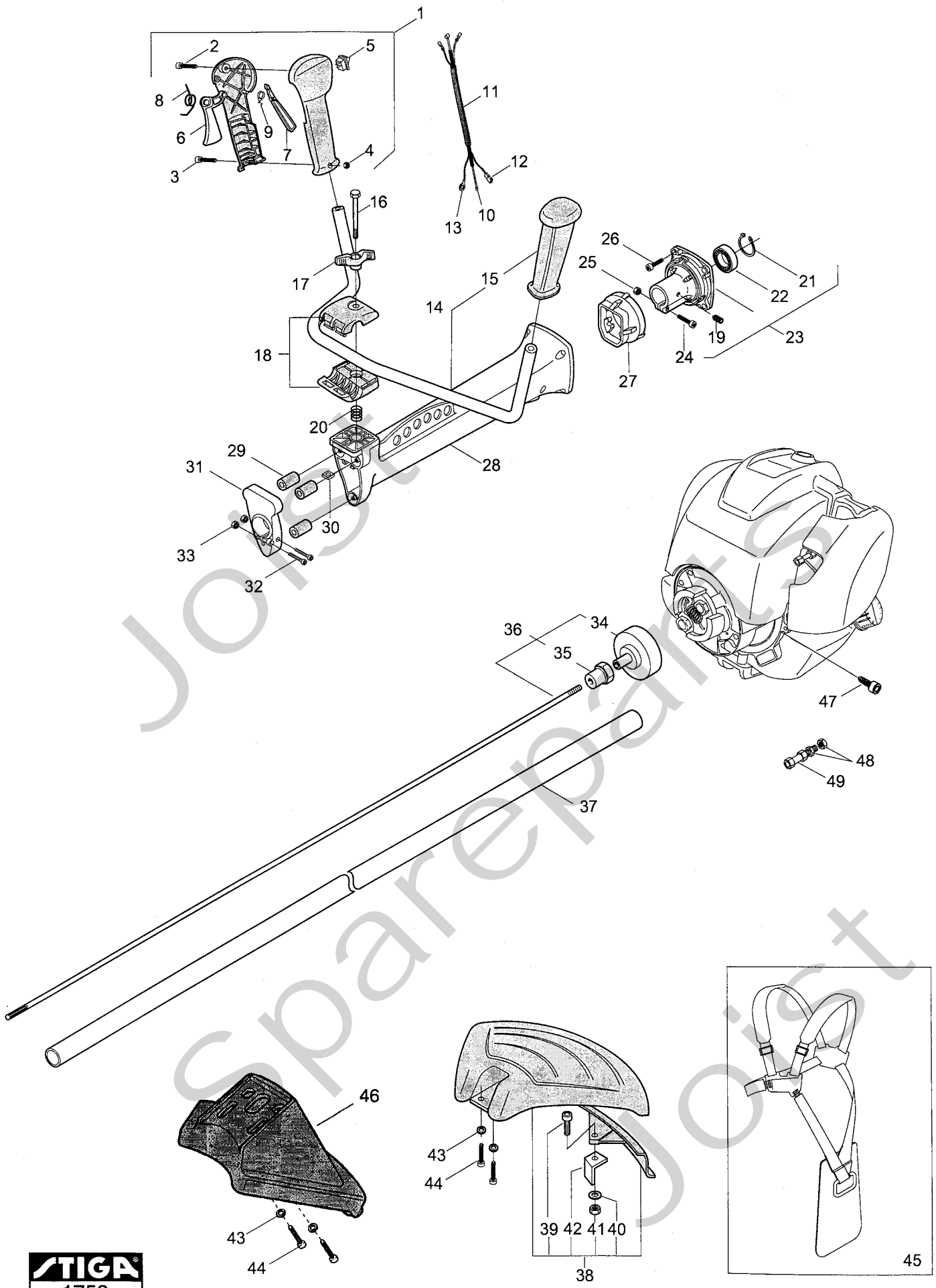


# Genuine Spare Parts

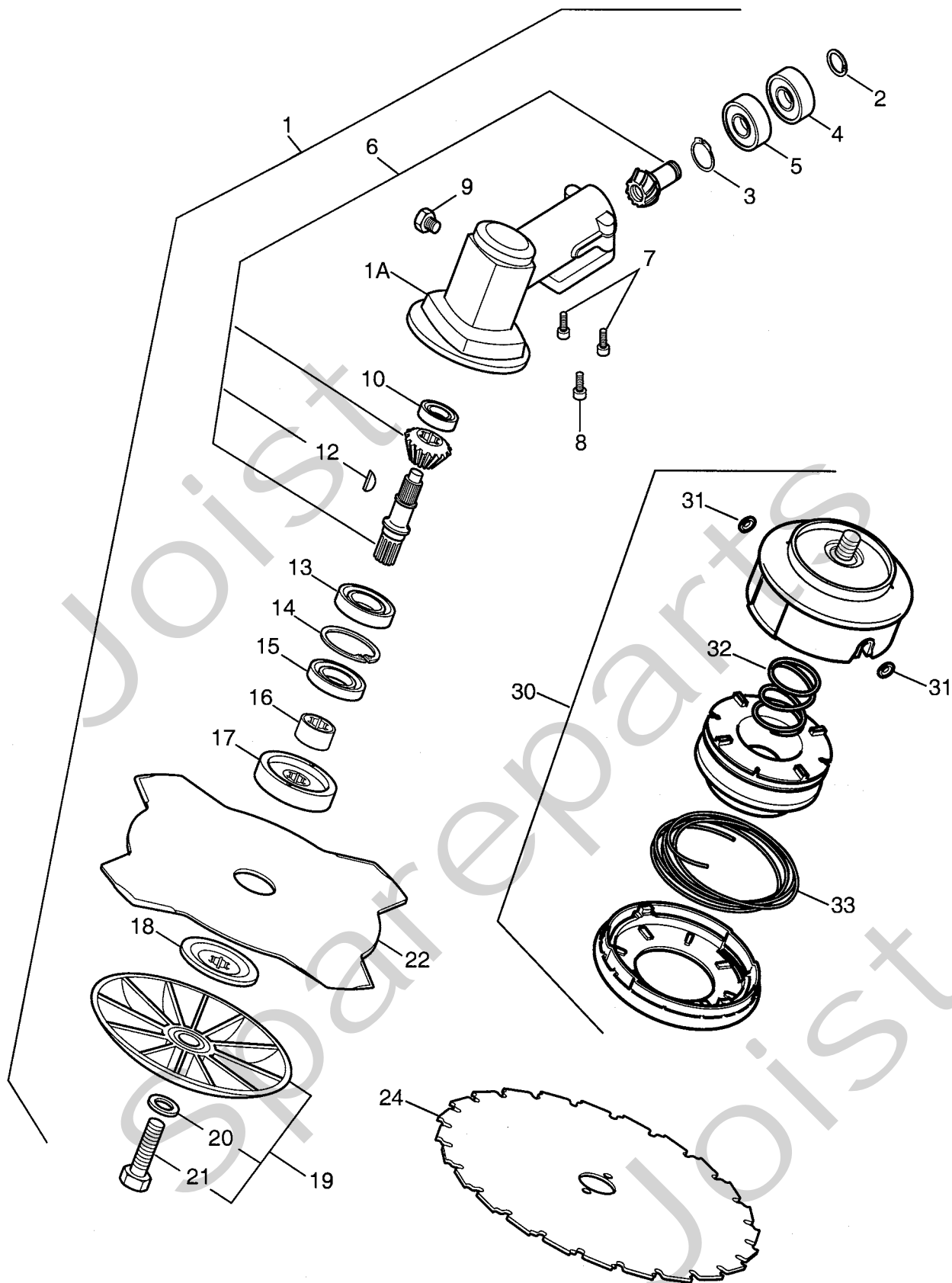
---



Joist  
Spareparts  
Joist



Utgåva Issue 2004-12		Bildnr Picture No 1753		SB 436 RÖJARE RIGG		SB 436 BRUSH CUTTER DRIVE SHAFT		Sida Page 284	
Pos. Fig.	Antal/Quantity			Art nr Part No	Benämning	Description	Sats Kit	Anmärkning Notes	
	4402								
	1			1911-3203-01	Handtag kpl .....	Handle assy.....		Inkl. pos 2 - 9	
	2			1911-3001-01	• Skruv .....	• Screw .....			
	3			1911-3008-01	• Skruv .....	• Screw .....			
	4			9747-0531-02	• Mutter .....	• Nut .....			
	5			1911-3053-01	• Stoppkontakt .....	• Stop switch .....			
	6			1911-3108-01	• Gasreglage .....	• Throttle lever .....			
	7			1911-3109-01	• Säkerhetsspärr .....	• Safety lever .....			
	8			1911-3089-01	• Fjäder .....	• Spring .....			
	9			1911-3090-01	• Fjäder .....	• Spring .....			
	10			1911-3996-01	Gaswire .....	Throttle wire .....			
X	11			1911-3997-01	Kabelskydd .....	Wire sheath .....			
X	12			1911-3993-01	Kabel- röd .....	Cable- red .....			
X	13			1911-3994-01	Jordkabel- svart .....	Ground cable- black .....			
X	14			1911-3722-01	Styre .....	Handle .....			
	15			1911-3114-01	Handtag- vä .....	Knob- left .....			
	16			1911-3000-01	Skruv .....	Screw .....			
	17			1911-3123-01	Vingmutter .....	Wing nut .....			
	18			1911-3192-01	Styrinfästning kpl .....	Handle support assy .....			
	19			1911-3658-01	• Skruv .....	• Screw .....			
	20			1911-3091-01	Fjäder .....	Spring .....			
	21			1911-3066-01	• Låsring .....	• Lock ring .....			
	22			1911-3035-01	• Kullager .....	• Ball bearing .....			
	23			1911-3188-01	Transmissionsnav kpl .....	Transmission hub assy .....	Inkl. pos 19, 21 - 22		
	24			1911-3011-01	Skruv .....	Screw .....			
	25			1911-3021-01	Mutter .....	Nut .....			
	26	4		1911-3012-01	Skruv .....	Screw .....			
	27	1		1911-3111-01	Vibrationsdämpare- bak .....	Shock absorber- rear .....			
	28	1		1911-3171-01	Transmissionshus .....	Transmission housing .....			
	29	3		1911-3110-01	Vibrationsdämpare- fra .....	Shock absorber- front .....			
	30	1		1911-3080-01	Handtagsfästmutter .....	Handle fixing plate .....			
	31	1		1911-3172-01	Stöd- främre .....	Housing support- front .....			
	32	2		1911-3009-01	Skruv .....	Screw .....			
	33	2		9747-0531-02	Mutter .....	Nut .....			
	34	1		1911-3134-01	• Kopplingstrumma .....	• Clutch .....	Inkl. pos 34 - 35 D = 26 mm Inkl. pos 39 - 42		
	35	1		1911-3083-01	• Lagernav .....	• Bearing hub .....			
	36	1		1911-3140-01	Drivaxel kpl .....	Transm. shaft assy .....			
	37	1		1911-3139-01	Drivaxelrör .....	Transmission pipe .....			
	38	1		1911-3201-01	Säkerhetsskydd kpl .....	Safety cover assy .....			
	39	1		1911-3006-01	• Skruv .....	• Screw .....			
	40	1		1911-3216-01	• Bricka .....	• Washer .....			
	41	1		1911-3022-01	• Mutter .....	• Nut .....			
	42	1		1911-3077-01	• Kniv .....	• Line cutter .....			
	43	2		1911-3216-01	Bricka .....	Washer .....			
	44	2		1911-3009-01	Skruv .....	Screw .....			
	45	1		1911-3152-01	Sele .....	Harness .....			
	46	1		1911-3166-01	Stenskydd (sågklinga) .....	Stone shield (saw) .....			
	47	1		1911-3261-01	Skruv .....	Screw .....			
X	48	2		1911-4000-01	Mutter .....	Nut .....	Ej ill/not ill.		
X	49	1		1911-3998-01	Wirejustering .....	Throttle cable adjust .....			
	99	1		1911-3212-01	Skyddsglasögon .....	Protective goggles .....			



Utgåva Issue 2004-12		Bildnr Picture No 1285B		SB 435- SB 436 RÖJARE SNÄCKVÄXEL		SB 435- SB 436 BRUSH CUTTER GEAR CASE		Sida Page 286	
Pos. Fig.	Antal/Quantity			Art nr Part No	Benämning	Description	Sats Kit	Anmärkning Notes	
	4401	4402							
1	1			1911-3137-01	Snäckväxel kpl.....	Gear case assy.....		Inkl. pos 2 - 21	
1A	1			1911-3161-01	Snäckväxelhus.....	Gear case.....			
2	1			1911-3067-01	• Låsring.....	• Lock ring.....			
3	1			1911-3065-01	• Låsring.....	• Lock ring.....			
4	1			1911-3037-01	• Kullager.....	• Ball bearing.....			
5	1			1911-3036-01	• Kullager.....	• Ball bearing.....			
6	1			1911-3182-01	• Snäckdrev.....	• Worm gear.....			
7	2			1911-3008-01	• Skruv.....	• Screw.....			
8	1			1911-3025-01	• Skruv.....	• Screw.....			
9	1			1911-3029-01	• Skruv.....	• Screw.....			
10	1			1911-3038-01	• Kullager.....	• Ball bearing.....			
12	1			1911-3049-01	• Kil.....	• Key.....			
13	1			1911-3034-01	• Kullager.....	• Ball bearing.....			
14	1			1911-3066-01	• Låsring.....	• Lock ring.....			
15	1			1911-3045-01	• Tätningring.....	• Oil seal.....			
16	1			1911-3082-01	• Hylsa.....	• Collar.....			
17	1			1911-3081-01	• Ringmutter- övre.....	• Ring nut- upper.....			
18	1			1911-3070-01	• Ringmutter- nedre.....	• Ring nut- lower.....			
19	1			1911-3163-01	• Skål kpl (fast).....	• Bowl assy (fixed).....		Inkl. pos 20 - 21	
20	1			1911-3018-01	• • Bricka.....	• • Washer.....			
21	1			1911-3026-01	• • Skruv (vå- gängad).....	• • Screw (LH- thread).....			
22	1			1911-3179-01	Röjklinga.....	Clearing blade.....		4T - Ø 255 mm Ej ill/not ill.	
22A	1			1911-3850-01	Klingskydd.....	Blade guard.....			
24	1			1911-3921-01	Sågklinga.....	Saw blade.....		24T - Ø 255 mm	
30	1			1911-3877-01	Skärhuvud kpl.....	Cutterhead assy.....		Inkl. pos 31 - 32	
31	2			1911-3875-01	• Trådhylsa.....	• Line inlet.....			
32	1			1911-3876-01	• Fjäder.....	• Spring.....			
33	1			1911-9008-04	Skärtråd (2.4 mm).....	Cutting line (2.4 mm).....		0.45 kg (90 m)	
33	1			1911-9008-08	Skärtråd (2.4 mm).....	Cutting line (2.4 mm).....		15 m	
99	1			1911-3853-01	Fettub.....	Grease tube.....		Ej ill/not ill.	

X