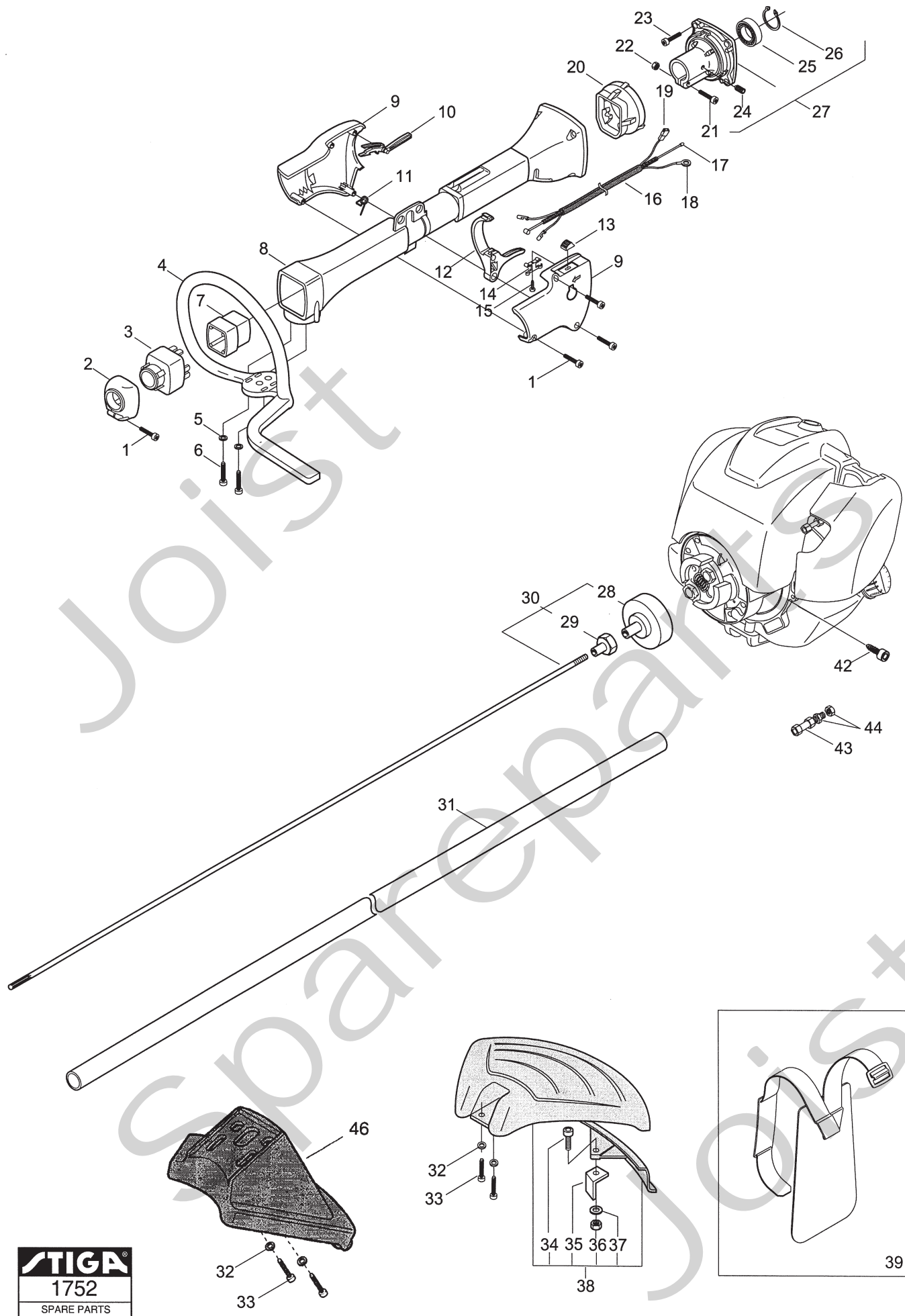


Genuine Spare Parts

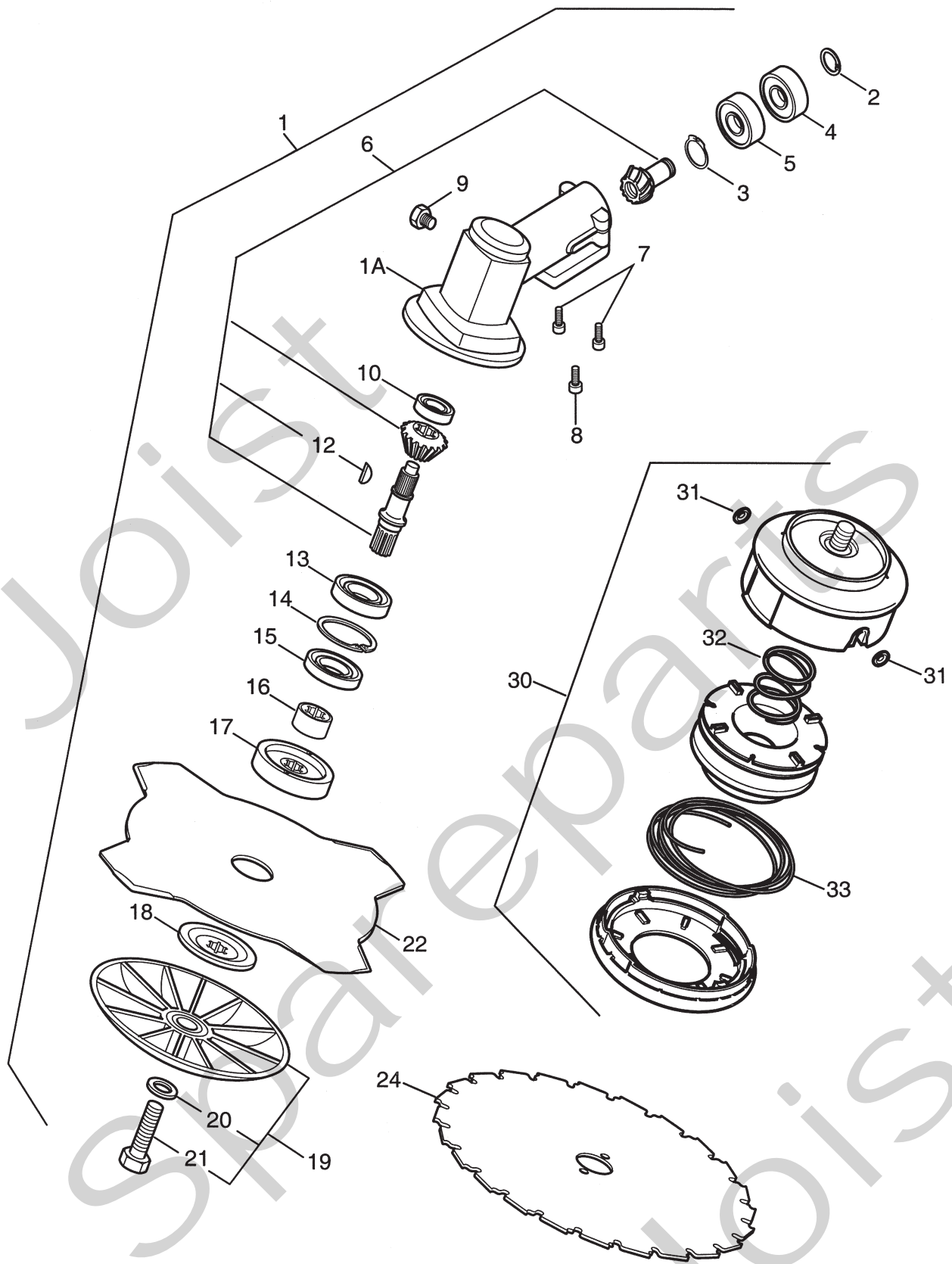


Joist
Spareparts
Joist



STIGA
1752
SPARE PARTS

Utgåva Issue 2005-12		Bildnr Picture No 1752		SB 435 RÖJARE RIGG		SB 435 BRUSH CUTTER DRIVE SHAFT		Sida Page 302	
Pos. Fig.	Antal/Quantity			Art nr Part No	Benämning	Description	Sats Kit	Anmärkning Notes	
	4401								
1	4			1911-3001-01	Skruv	Screw			
2	1			1911-4006-01	Stöd- fram	Housing support- front			
3	1			1911-4004-01	Vibrationsdämpare- fra	Shock absorber- front			
4	1			1911-4009-01	Handtag- fram	Handle- front			
5	2			1911-3216-01	Bricka	Washer			
6	2			1911-3251-01	Skruv	Screw			
7	1			1911-4007-01	Distans	Step- down spacer			
8	1			1911-4008-01	Transmissionshus	Transmission housing			
9	1			1911-4010-01	Handtagshus	Handgrip housing			
10	1			1911-4003-01	Säkerhetsspärr	Safety lever			
11	1			1911-4001-01	Fjäder	Spring			
12	1			1911-4002-01	Gasreglage	Throttle lever			
13	1			1911-3699-01	Stoppknapp	Stop knob			
14	1			1911-3681-01	Stopplatta	Stop plate			
15	1			1911-3656-01	Skruv	Screw			
16	1			1911-3999-01	Kabelhölje	Wire sheath			
17	1			1911-3995-01	Gaswire	Throttle wire			
18	1			1911-3992-01	Jordkabel- svart	Earth cable- black			
19	1			1911-3991-01	Kabel- röd	Cable- red			
20	1			1911-4005-01	Vibrationsdämpare- bak	Shock absorber- rear			
21	1			1911-3011-01	Skruv	Screw			
22	1			1911-3021-01	Mutter	Nut			
23	4			1911-3012-01	Skruv	Screw			
24	1			1911-3658-01	• Skruv	• Screw			
25	1			1911-3035-01	• Kullager	• Ball bearing			
26	1			1911-3066-01	• Låsring	• Lock ring			
27	1			1911-3188-01	Transmissionsnav kpl	Transmission hub assy		Inkl. pos 24 - 26	
28	1			1911-3134-01	• Kopplingstrumma	• Clutch			
29	1			1911-3083-01	• Lagernav	• Bearing hub			
30	1			1911-3140-01	Drivaxel kpl	Transm. shaft assy		Inkl. pos 28 - 29	
31	1			1911-3139-01	Drivaxelrör	Transmission pipe			
32	2			1911-3216-01	Bricka	Washer			
33	2			1911-3009-01	Skruv	Screw			
34	1			1911-3006-01	• Skruv	• Screw			
35	1			1911-3077-01	• Kniv	• Line cutter			
36	1			1911-3022-01	• Mutter	• Nut			
37	1			1911-3216-01	• Bricka	• Washer			
38	1			1911-3201-01	Säkerhetsskydd kpl	Safety cover assy		Inkl. pos 34 - 37	
39	1			1911-3724-01	Sele	Harness			
42	1			1911-3261-01	Skruv	Screw			
43	1			1911-3998-01	Wirejustering	Throttle cable adjust			
44	2			1911-4000-01	Mutter	Nut			
46	1			1911-3166-01	Stenskydd (sågklinga)	Stone shield (saw)			
99	1			1911-3212-01	Skyddsglasögon	Protective goggles		Ej ill/not ill.	



Utgåva Issue 2005-12		Bildnr Picture No 1285B		SB 435- SB 436 RÖJARE SNÄCKVÄXEL		SB 435- SB 436 BRUSH CUTTER GEAR CASE		Sida Page 306	
Pos. Fig.	Antal/Quantity			Art nr Part No	Benämning	Description	Sats Kit	Anmärkning Notes	
	4401 4402								
1	1			1911-3137-01	Snäckväxel kpl.....	Gear case assy.....		Inkl. pos 2 - 21	
1A	1			1911-3161-01	Snäckväxelhus.....	Gear case.....			
2	1			1911-3067-01	• Låsring.....	• Lock ring.....			
3	1			1911-3065-01	• Låsring.....	• Lock ring.....			
4	1			1911-3037-01	• Kullager.....	• Ball bearing.....			
5	1			1911-3036-01	• Kullager.....	• Ball bearing.....			
6	1			1911-3182-01	• Snäckdrev.....	• Worm gear.....			
7	2			1911-3008-01	• Skruv.....	• Screw.....			
8	1			1911-3025-01	• Skruv.....	• Screw.....			
9	1			1911-3029-01	• Skruv.....	• Screw.....			
10	1			1911-3038-01	• Kullager.....	• Ball bearing.....			
12	1			1911-3049-01	• Kil.....	• Key.....			
13	1			1911-3034-01	• Kullager.....	• Ball bearing.....			
14	1			1911-3066-01	• Låsring.....	• Lock ring.....			
15	1			1911-3045-01	• Tätningsring.....	• Oil seal.....			
16	1			1911-3082-01	• Hylsa.....	• Collar.....			
17	1			1911-3081-01	• Ringmutter- övre.....	• Ring nut-upper.....			
18	1			1911-3070-01	• Ringmutter- nedre.....	• Ring nut-lower.....			
19	1			1911-3163-01	• Skål kpl (fast).....	• Bowl assy (fixed).....		Inkl. pos 20 - 21	
20	1			1911-3018-01	• • Bricka.....	• • Washer.....			
21	1			1911-3026-01	• • Skruv (vä- gängad).....	• • Screw (LH- thread).....			
22	1			1911-3179-01	Röjklina.....	Clearing blade.....		4T - Ø 255 mm	
22A	1			1911-3850-01	Klingskydd.....	Blade guard.....		Ej ill/not ill.	
24	1			1911-3921-01	Sågklina.....	Saw blade.....		24T - Ø 255 mm	
30	1			1911-3877-01	Skärhuvud kpl.....	Cutterhead assy.....		Inkl. pos 31 - 32	
31	2			1911-3875-01	• Trådhylsa.....	• Line inlet.....			
32	1			1911-3876-01	• Fjäder.....	• Spring.....			
33	1			1911-9008-04	Skärtråd (2.4 mm).....	Cutting line (2.4 mm).....		0.45 kg (90 m)	
33	1			1911-9008-08	Skärtråd (2.4 mm).....	Cutting line (2.4 mm).....		15 m	
99	1			1911-3853-01	Fettub.....	Grease tube.....		Ej ill/not ill.	