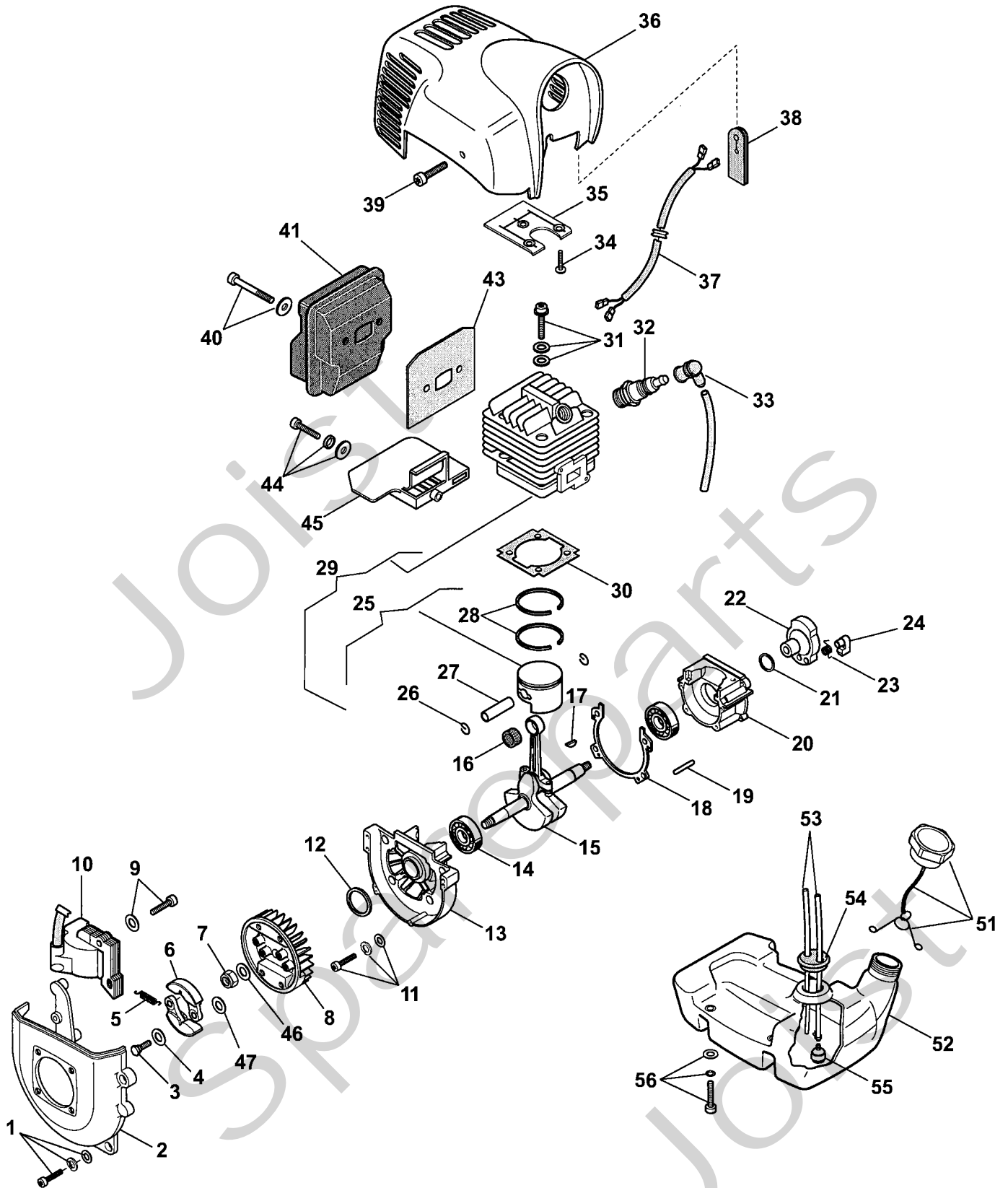


Genuine Spare Parts

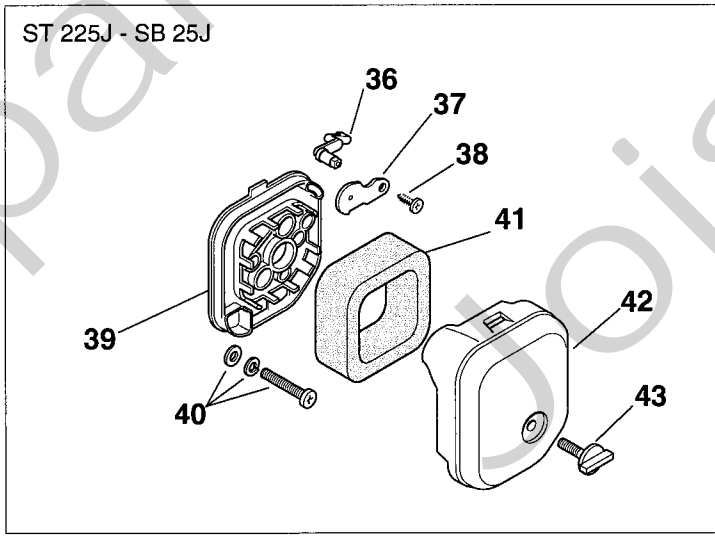
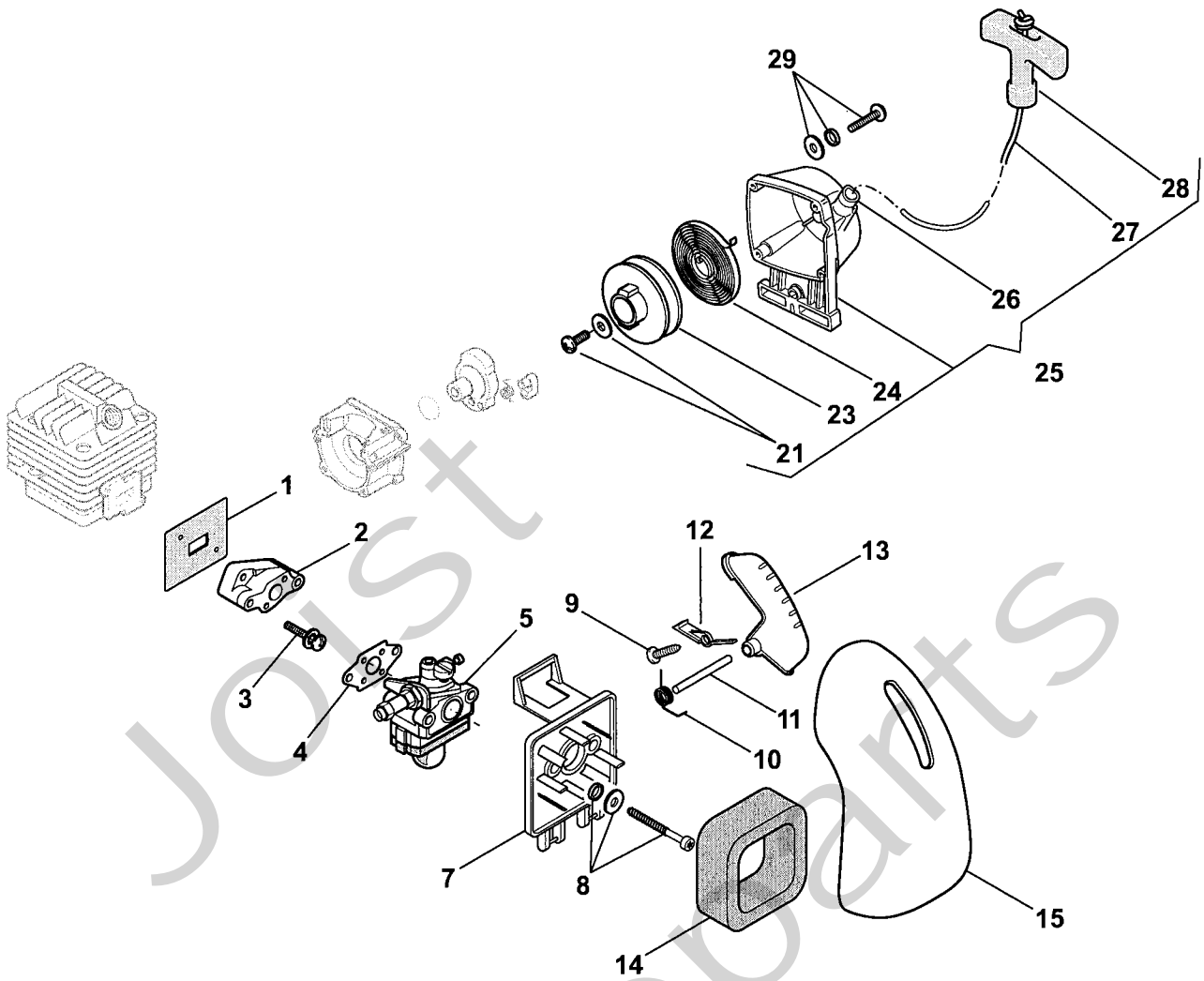


Joist
Spareparts
Joist



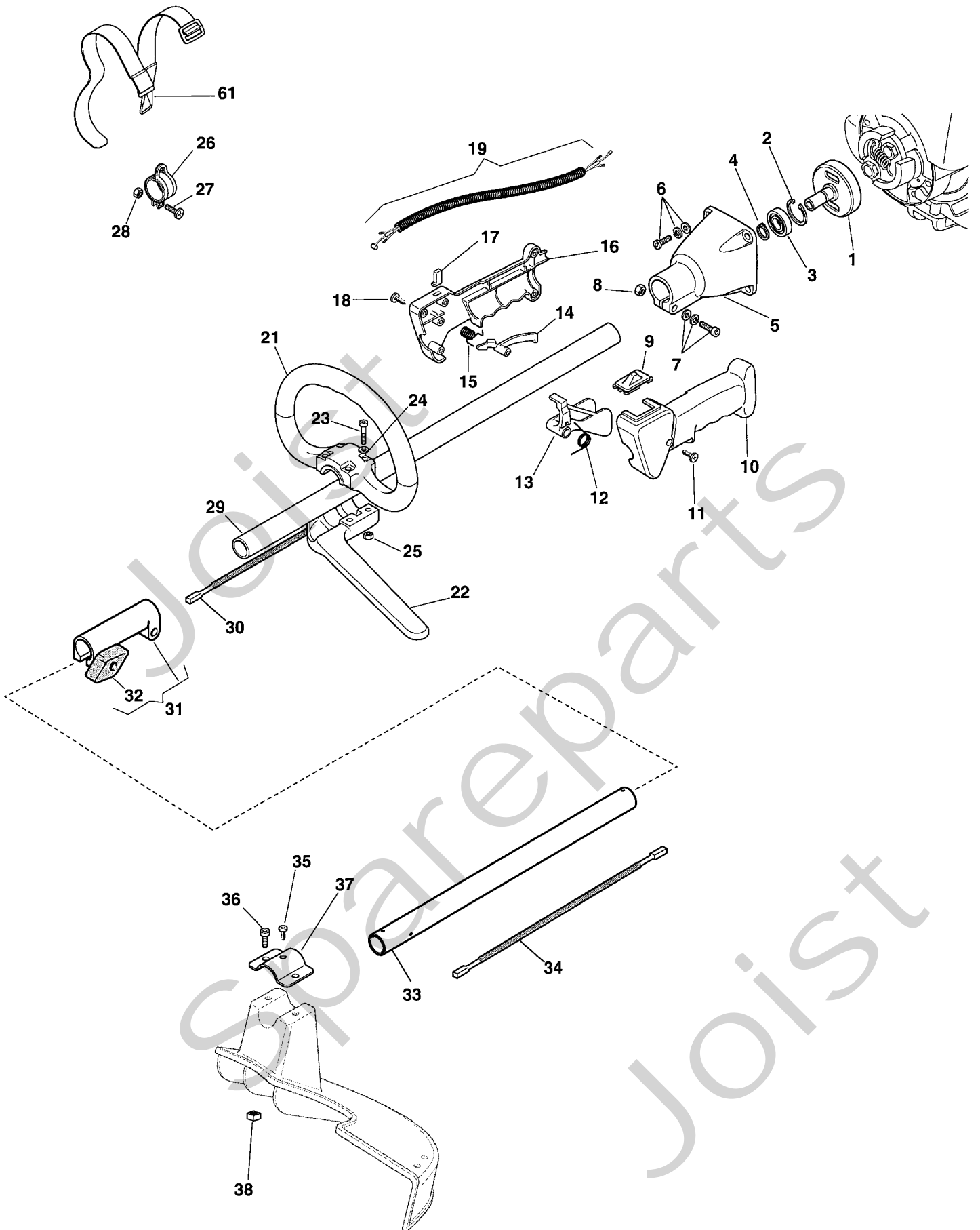
Utgåva Issue 2006-12	Bildnr Picture No 1968A	ST 225J- SB 25J ST 290- ST 291 SB 27J- SB 29J MOTOR	ST 225J- SB 25J ST 290- ST 291 SB 27J- SB 29J ENGINE	Sida Page 276
----------------------------	-------------------------------	--	---	---------------------

Pos. Fig.	Antal/Quantity		Art nr Part No	Benämning	Description	Sats Kit	Anmärkning Notes
	1025 6109	1029 1031 6116 6117					
1	4	4	1911-4334-01	Skrivsats.....	Screw set.....		
2	1	1	1911-4284-01	Stödhus.....	Transm.support case.....		
3	2	2	1911-4310-01	Skruv.....	Screw.....		
4	2	2	1911-4308-01	Bricka.....	Washer.....		
5	1	1	1911-4309-01	Fjäder.....	Spring.....		
6	2	2	1911-4307-01	Koppling.....	Clutch unit.....		
7	1	1	1911-4358-01	Mutter.....	Nut.....		
8	1	1	1911-4277-01	Svånghjul.....	Flywheel.....		
9	2	2	1911-4337-01	Skrivsats.....	Screw set.....		
10	1	1	1911-4276-01	Elektronikspole.....	Electronic coil.....		
11	4	4	1911-4335-01	Skrivsats.....	Screw set.....		
12	1	1	1911-4283-01	Tätningring.....	Seal ring.....		
13	1	1	1911-4280-01	Vevhus-främre.....	Crankcase-front.....		
14	1	2	1911-4324-01	Kullager.....	Ball bearing.....		
X 14	2		6981110	Kullager.....	Ball bearing.....		
15	1	1	1911-4291-01	Vevaxel.....	Crankshaft.....		
16	1	1	1911-4292-01	Nållager.....	Needle bearing.....		
17	1	1	1911-4323-01	Kil.....	Key.....		
18	1	1	1911-4282-01	Packning.....	Gasket.....		
19	3	3	1911-4342-01	Centrerstift.....	Centering pin.....		
20	1	1	1911-4281-01	Vevhus-bakre.....	Crankcase-rear.....		
21	1	1	1911-4283-01	Tätningring.....	Seal ring.....		
22	1	1	1911-4306-01	Startkopp.....	Starter cup.....		
23	1	1	1911-4345-01	Fjäder.....	Spring.....		
24	1	1	1911-4305-01	Startspärr.....	Starter hook.....		
25	1	1	1911-4287-01	• Kolv.....	• Piston.....		Inkl. pos 26 - 28
26	2	2	1911-4290-01	•• Låsring.....	•• Lock ring.....		
27	1	1	1911-4289-01	•• Kolvbult.....	•• Piston pin.....		
28	2	2	1911-4288-01	•• Kolvring.....	•• Piston ring.....		
29	1	1	1911-4278-01	Cylinder-kolv kpl.....	Cylinder-piston assy.....		Inkl. pos 25
30	1	1	1911-4279-01	Cylinderpackning.....	Cylinder gasket.....		
31	4	4	1911-4334-01	Skrivsats.....	Screw set.....		
32	1	1	1911-4331-01	Tändstift.....	Spark plug.....		
33	1	1	1911-4298-01	Tändstiftshatt.....	Spark plug cover.....		
X 34	3	3	6981285	Skruv.....	Screw.....		
35	1	1	1911-4319-01	Skydd.....	Guard.....		
36	1	1	1911-4341-01	Motorkåpa-gul.....	Engine cover-yellow.....		
37	2	2	1911-4297-01	Kabel.....	Switch wire.....		
38	1	1	1911-4296-01	Kabelhållare.....	Cable retainer.....		
39	2	2	1911-4325-01	Skruv.....	Screw.....		
40	2	2	1911-4336-01	Skrivsats.....	Screw set.....		
41	1	1	1911-4315-01	Ljuddämpare.....	Muffler.....		
43	1	1	1911-4316-01	Ljuddämparskydd.....	Muffler shield.....		
44	1	1	1911-4337-01	Skrivsats.....	Screw set.....		
45	1	1	1911-4318-01	Skydd.....	Guard.....		
46	1	1	1911-4343-01	Bricka.....	Washer.....		
X 47	2	2	1911-4430-01	Bricka.....	Washer.....		
X 51	1	1	1911-4424-01	Tanklock.....	Fuel tank cap.....		
52	1	1	1911-4311-01	Bränsletank.....	Fuel tank.....		
53	2	2	1911-4313-01	Bränsleslang.....	Fuel hose.....		
54	1	1	1911-4314-01	Gummihylsa.....	Grommet.....		
55	1	1	1911-4254-01	Bränslefilter.....	Intake filter.....		
56	4	4	1911-4327-01	Skrivsats.....	Screw set.....		



Utgåva Issue 2006- 12	Bildnr Picture No 1969A	ST 225J- SB 25J ST 290- ST 291 SB 27J- SB 29J FÖRGASARE	ST 225J- SB 25J ST 290- ST 291 SB 27J- SB 29J CARBURETTOR	Sida Page 278
-----------------------------	-------------------------------	--	--	---------------------

Pos. Fig.	Antal/Quantity			Art nr Part No	Benämning	Description	Sats Kit	Anmärkning Notes
	1025 6109	1029 1031 6116 6117						
	1	1		1911- 4286- 01	Packning.....	Gasket.....		
	2	1		1911- 4285- 01	Insugningsrör.....	Intake manifold.....		
X	3	2		1911- 4428- 01	Skrivsats.....	Screw set.....		
	4	1		1911- 4293- 01	Packning- membransats.....	Gasket- diaphragm kit.....		
	5	1		1911- 4122- 01	Förgasare kpl.....	Carburettor assy.....		WYJ- 393
X	5	1		1911- 4449- 01	Förgasare kpl.....	Carburettor assy.....		WYJ- 398A
	7	1		1911- 4294- 01	Lufffilterhållare.....	Air filter holder.....		
	8	2		1911- 4330- 01	Skrivsats.....	Screw set.....		
X	9	2		6981269	Skruv.....	Screw.....		
	10	1		1911- 4320- 01	Fjäder.....	Spring.....		
	11	1		1911- 4321- 01	Stift.....	Pin.....		
	12	1		1911- 4322- 01	Hållare.....	Retainer.....		
	13	1		1911- 4332- 01	Tryckknapp.....	Button.....		
	14	1		1911- 4295- 01	Lufffilter.....	Air filter.....		
	15	1		1911- 4340- 01	Filterlock- gul.....	Filter cover- yellow.....		
	21	1		1911- 4326- 01	• Skrivsats.....	• Screw set.....		
	23	1		1911- 4301- 01	• Linhjul.....	• Starter pulley.....		
	24	1		1911- 4300- 01	• Returfjäder.....	• Rewind spring.....		
X	25	1		1911- 4529- 01	Start kpl.....	Starter assy.....		Inkl. pos 21 - 28
	26	1		1911- 4303- 01	• Linguide.....	• Rope guide.....		
	27	1		1911- 4304- 01	• Startsnöre.....	• Starter cord.....		
	28	1		1911- 4302- 01	• Starthandtag.....	• Starter handle.....		
	29	4	4	1911- 4337- 01	Skrivsats.....	Screw set.....		
	36	1		1911- 4352- 01	Chokearm.....	Choke lever.....		
	37	1		1911- 4351- 01	Chokespjäll.....	Choke valve.....		
X	38	1		1911- 4429- 01	Skruv.....	Screw.....		
	39	1		1911- 4346- 01	Lufffilterhus.....	Filter housing.....		
	40	2		1911- 4329- 01	Skrivsats.....	Screw set.....		
	41	1		1911- 4295- 01	Lufffilter.....	Air filter.....		
	42	1		1911- 4349- 01	Filterlock.....	Filer cover.....		
	43	1		1911- 4347- 01	Skruv.....	Screw.....		



Utgåva Issue		Bildnr Picture No		SB 25J RÖJARE RIGG	SB 25J BRUSH CUTTER DRIVE SHAFT	Sida Page		
2006- 12		2148				262		
Pos. Fig.	Antal/Quantity			Art nr Part No	Benämning	Description	Sats Kit	Anmärkning Notes
	6109 -11							
X	1	1		6981208	Kopplingshjul.....	Clutch drum		
X	2	1		6981271	Ring.....	Ring		
X	3	1		6981256	Kullager	Ball bearing		
X	4	1		6981272	Ring.....	Ring		
X	5	1		6981207	Transmissionsstöd	Transmission support		
X	6	4		1911- 4425- 01	Skruvsats.....	Screw set		
X	7	1		6981263	Skruvsats.....	Screw set		
X	8	1		1911- 4357- 01	Mutter.....	Nut		
X	9	1		6981230	Brytare.....	Switch.....		
X	10	1		6981231	Handtag- vä	Handgrip- LH.....		
X	11	2		6981269	Skruv	Screw		
X	12	1		6981232	Fjäder.....	Spring		
X	13	1		6981228	Gasreglage.....	Throttle lever.....		
X	14	1		6981229	Säkerhetsspärr	Safety lever		
X	15	1		6981226	Fjäder.....	Spring		
X	16	1		6981225	Handtag- hö	Handgrip- RH		
X	17	1		6981227	Knopp.....	Button		
X	18	4		1911- 4364- 01	Skruv	Screw		
X	19	1		6981233	Kablage.....	Cables+sheath.....		
X	21	1		6981234	Handtag- främre.....	Handle- front.....		
X	22	1		6981235	Spärrör	Barrier tube		
X	23	4		6981282	Skruv	Screw		
X	24	4		6981274	Bricka	Washer.....		
X	25	4		1911- 4356- 01	Mutter.....	Nut		
X	26	1		6981209	Fäste- sele.....	Support- harness		
X	27	1		1911- 4360- 01	Skruv	Screw		
X	28	1		1911- 4356- 01	Mutter.....	Nut		
X	29	1		6981291	Transmissionsrör.....	Transmission tube.....		
X	30	1		6981312	Drivaxel	Transmission shaft.....		
X	31	1		6981309	Rörkoppling.....	Joint.....		Inkl. pos 32
X	32	1		6981290	• Lås ratt	• Knob		
X	33	1		6981292	Transmissionsrör.....	Transmission tube.....		
X	34	1		6981312	Drivaxel	Transmission shaft.....		
X	35	1		1911- 4429- 01	Skruv	Screw		
X	36	2		6981260	Skruv	Screw		
X	37	1		6981212	Fäste.....	Bracket.....		
X	38	2		6981213	Mutter.....	Nut		
X	61	1		6981210	Sele	Brace.....		
X	99	1		1911- 3212- 01	Skyddsglasögon	Protective goggles		Tillbehör/accessory

Utgåva Issue 2006- 12	Bildnr Picture No 2153	SB 25J RÖJARE SNÄCKVÄXEL	SB 25J BRUSH CUTTER GEAR CASE	Sida Page 264
-----------------------------	------------------------------	--------------------------------	-------------------------------------	---------------------

Pos. Fig.	Antal/Quantity				Art nr Part No	Benämning	Description	Sats Kit	Anmärkning Notes
	6109 -11								
X 1	1				6981219	Snäckväxel.....	Gear case		
X 2	1				6981274	Bricka	Washer.....		
X 3	1				6981258	Skruv	Screw		
X 4	1				6981214	Skydd	Guard		
X 5	3				6981264	Skruv	Screw		
X 6	1				6981216	Axeltapp.....	Shaft		
X 7	1				6981215	Ringmutter- övre	Ring nut- upper		
X 11	1				6981211	Röjklinga	Disc.....	3T	
X 12	1				6981217	Ringmutter- nedre	Ring nut- lower		
X 13	1				6981218	Stabiliseringsskål.....	Stabilizer bowl.....		
X 14	1				6981257	Mutter.....	Nut		
X 15	1				6981220	Skyddskåpa	Safety cover		
X 21	1				6981223	Skärhuvud kpl.....	Cutter head assy		
21A	1				1911- 9008- 04	Skärtråd (2.4 mm).....	Cutting line (2.4 mm).....		
21A	1				1911- 9008- 08	Skärtråd (2.4 mm).....	Cutting line (2.4 mm).....	0.45 kg (90 m) 15 m	
X 22	1				6981286	Skyddskåpa	Safety cover		
23	2				1911- 4334- 01	Skruvsats.....	Screw set		
24	2				1911- 4367- 01	Bricka	Washer.....		
25	2				1911- 4370- 01	Bricka	Washer.....		
X 26	1				6981221	Kniv	Line cutter.....		
X 27	2				6981278	Mutter.....	Nut		
X 28	1				6981222	Skydd	Guard		