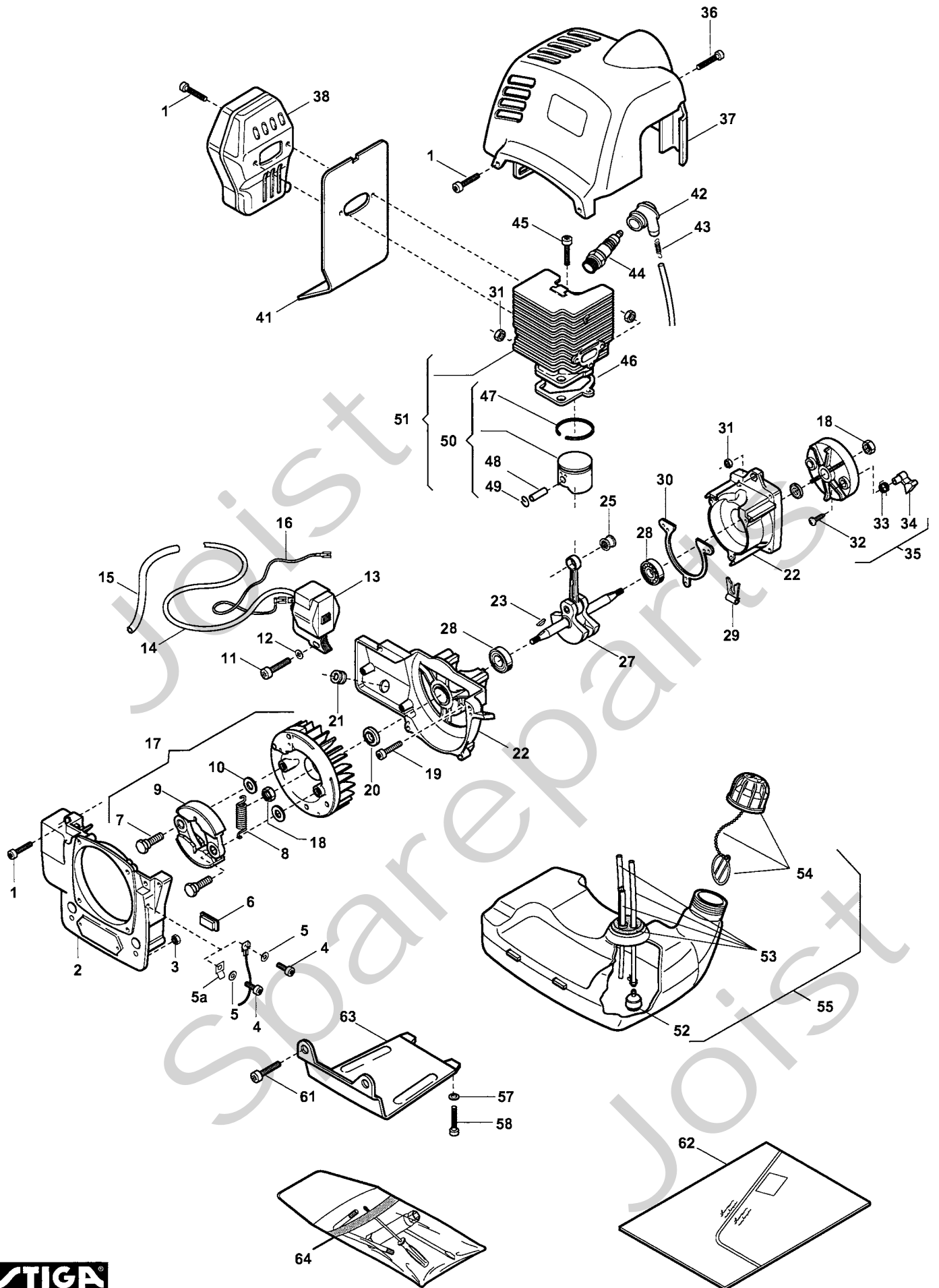


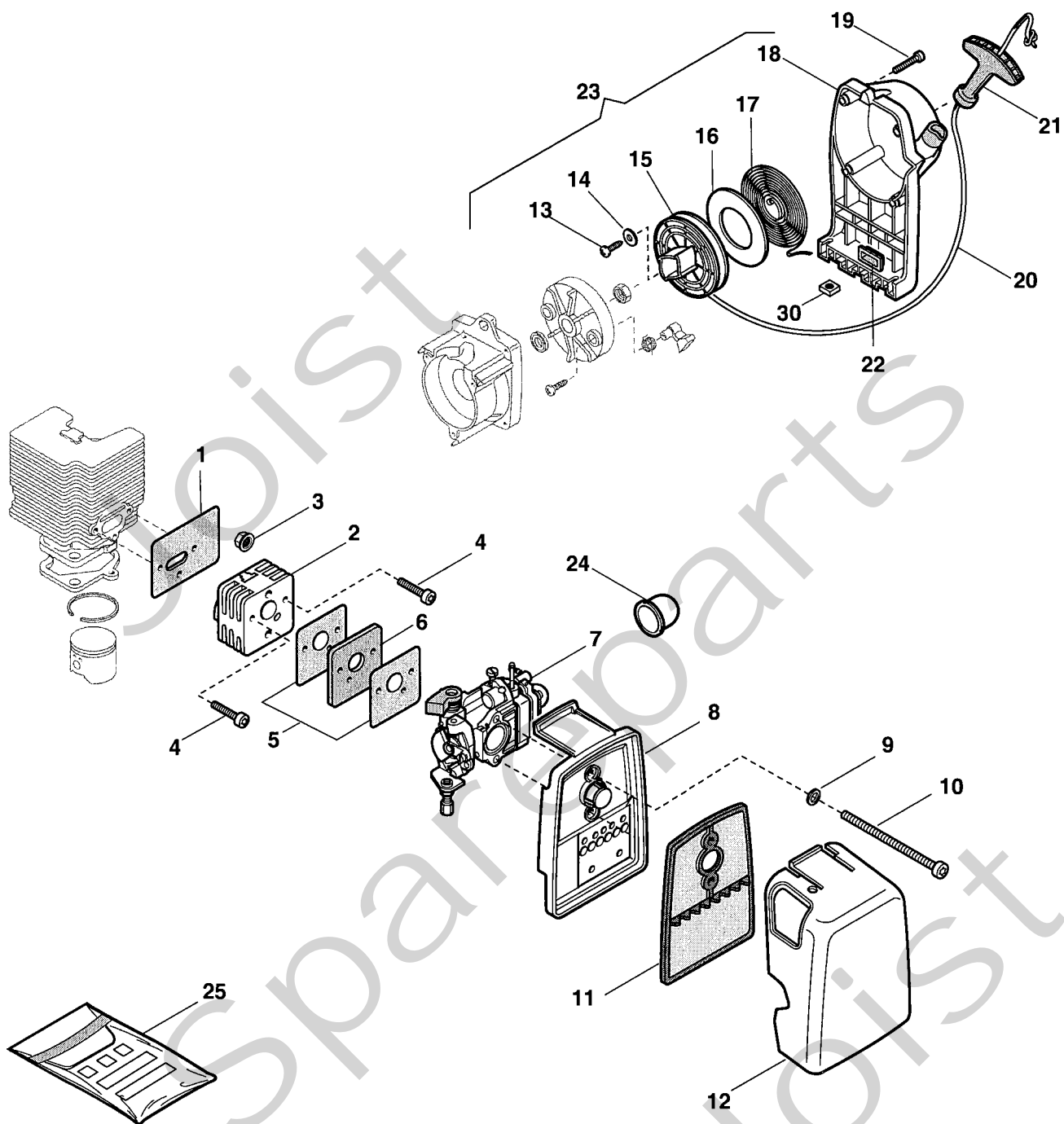
Genuine Spare Parts



Spareparts
Joist

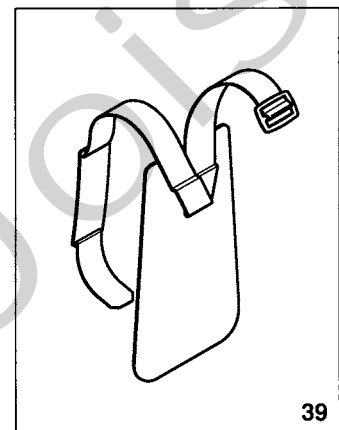
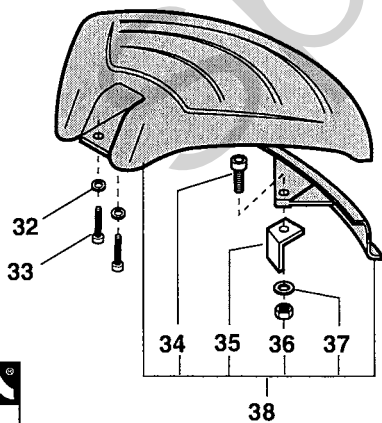
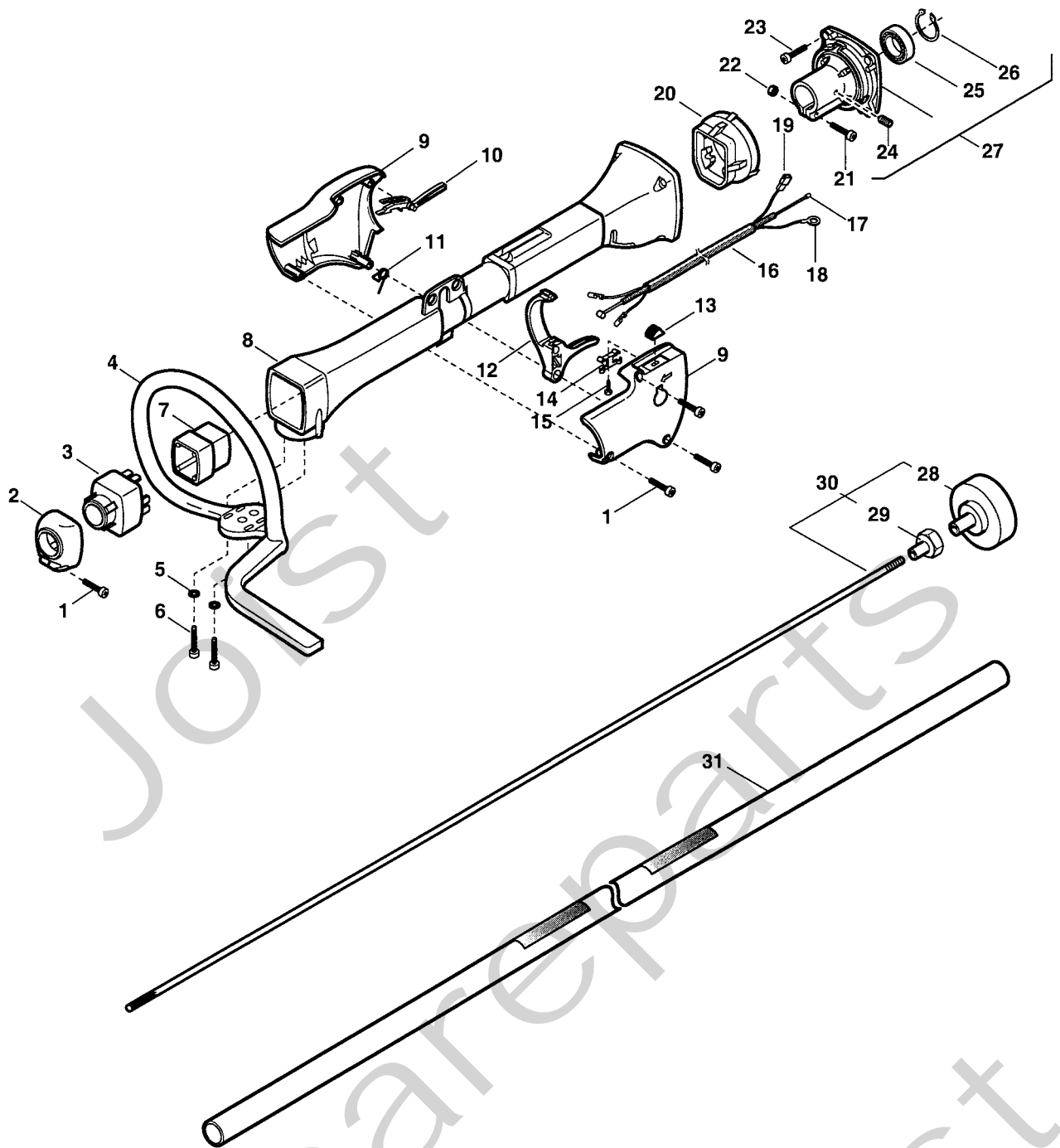


| Utgåva Issue | | Bildnr Picture No | | SB 39- SB 40 RÖJARE MOTOR | | SB 39- SB 40 BRUSH CUTTER ENGINE | | Sida Page | |
|-----------------|----------------------------|----------------------|--|---------------------------------|----------------------------|--|-------------|----------------------|--|
| 2006- 12 | | 1286B | | | | | | 298 | |
| Pos. Fig. | Antal/Quantity | | | Art nr Part No | Benämning | Description | Sats Kit | Anmärkning Notes | |
| | 6118 -11 4629 -13 | | | | | | | | |
| 1 | 12 | | | 1911-3007-01 | Skruv | Screw | | | |
| 2 | 1 | | | 1911-3730-01 | Transm.stödhus | Transm.support case | | | |
| 3 | 2 | | | 1911-3021-01 | Mutter | Nut | | | |
| 4 | 1 | | | 1911-3005-01 | Skruv | Screw | | | |
| 5 | 1 | | | 1911-3016-01 | Bricka | Washer | | | |
| 5A | 1 | | | 1911-3874-01 | Flatstiftskontakt | Connector | | | |
| 6 | 4 | | | 1911-3117-01 | Gummikudde | Grommet | | | |
| 7 | 2 | | | 1911-3027-01 | • Skruv | • Screw | | | |
| 8 | 1 | | | 1911-3086-01 | Fjäder | Spring | | | |
| 9 | 2 | | | 1911-3094-01 | • Koppling | • Clutch unit | | | |
| 10 | 2 | | | 1911-3018-01 | • Bricka | • Washer | | | |
| 11 | 2 | | | 1911-3009-01 | Skruv | Screw | | | |
| 12 | 2 | | | 1911-3017-01 | Bricka | Washer | | | |
| 13 | 1 | | | 1911-3668-01 | Elektronikspole | Electronic coil | | | |
| 14 | 1 | | | 1911-3055-01 | Tändstiftskabel | Spark plug cable | | | |
| 15 | 1 | | | 1911-4248-01 | Kabelhölje | Wire sheath | | | |
| 16 | 1 | | | 1911-3673-01 | Jordkabel | Earth cable | | | |
| 17 | 1 | | | 1911-3141-01 | Svänghjul kpl | Flywheel assy | | Inkl. pos 7, 9, 10 | |
| 18 | 2 | | | 1911-3030-01 | Mutter | Nut | | | |
| 19 | 3 | | | 1911-3008-01 | Skruv | Screw | | | |
| 20 | 2 | | | 1911-3043-01 | Tätningssring | Seal ring | | | |
| 21 | 1 | | | 1911-3116-01 | Gummihylsa | Grommet | | | |
| 22 | 1 | | | 1911-3190-01 | Vevhus kpl | Crankcase assy | | | |
| 23 | 1 | | | 1911-3048-01 | Svänghjulskil | Flywheel key | | | |
| 25 | 1 | | | 1911-3042-01 | • Nållager | • Needle bearing | | | |
| 27 | 1 | | | 1911-3819-01 | Vevaxel kpl | Crankshaft assy | | Inkl. pos 25 | |
| 28 | 2 | | | 1911-3039-01 | Kullager | Ball bearing | | | |
| 29 | 1 | | | 1911-3121-01 | Kabelhållare | Cable guide | | | |
| 30 | 1 | | | 1911-3097-01 | • Packning | • Gasket | | | |
| 31 | 5 | | | 1911-3022-01 | Mutter | Nut | | | |
| 32 | 3 | | | 1911-3002-01 | • Skruv | • Screw | | | |
| 33 | 2 | | | 1911-3087-01 | • Fjäder | • Spring | | | |
| 34 | 2 | | | 1911-3118-01 | • Startspärr | • Starter hook | | | |
| 35 | 1 | | | 1911-3822-01 | Startkopp kpl | Starter cup assy | | Inkl. pos 32 - 34 | |
| 36 | 1 | | | 1911-3013-01 | Skruv | Screw | | | |
| 37 | 1 | | | 1911-3169-01 | Cylinderkåpa | Cylinder cover | | | |
| 38 | 1 | | | 1911-3135-01 | Ljuddämpare | Muffler | | | |
| 41 | 1 | | | 1911-3103-01 | • Ljuddämparpackning | • Muffler gasket | | | |
| 42 | 1 | | | 1911-3113-01 | Tändstiftshylsa | Spark plug cover | | | |
| 43 | 1 | | | 1911-3093-01 | Tändstiftsfjäder | Spark plug spring | | | |
| 44 | 1 | | | 9400-0258-00 | Tändstift | Spark plug | | Champion CJ7Y | |
| 45 | 2 | | | 1911-3011-01 | Skruv | Screw | | | |
| 46 | 1 | | | 1911-3101-01 | • Cylinderpackning | • Cylinder gasket | | | |
| 47 | 1 | | | 1911-3047-01 | •• Kolvring | •• Piston ring | | | |
| 48 | 1 | | | 1911-3051-01 | •• Kolvbult | •• Piston pin | | | |
| 49 | 2 | | | 1911-3069-01 | •• Låsring | •• Lock ring | | | |
| 50 | 1 | | | 1911-3198-01 | • Kolv kpl | • Piston assy | | Inkl. pos 47 - 49 | |
| 51 | 1 | | | 1911-3197-01 | Cylinder kpl m.kolv | Cylinder assy w.pisto | | Inkl. pos 50 | |
| 52 | 1 | | | 1911-3150-01 | • Bränslefilter | • Intake filter | | | |
| 53 | 1 | | | 1911-3208-01 | • Slangtätning kpl | • Hose grommet assy | | | |
| 54 | 1 | | | 1911-3207-01 | • Tanklock | • Fuel cap | | | |
| 55 | 1 | | | 1911-3145-01 | Bränsletank kpl | Fuel tank assy | | Inkl. pos 52 - 54 | |
| 57 | 2 | | | 1911-3274-01 | Bricka | Washer | | | |
| 58 | 2 | | | 1911-3260-01 | Skruv | Screw | | | |
| 61 | 2 | | | 1911-3655-01 | Skruv | Screw | | | |
| 62 | 1 | | | 1911-3205-01 | Packningssats | Gasket set | | Inkl. pos 30, 41, 46 | |
| 63 | 1 | | | 1911-3742-01 | Fläns | Flange | | | |
| 64 | 1 | | | 1911-3723-01 | Påse m.verktyg | Bag w.tools | | | |



| | | | | |
|----------------------------|-------------------------------|-------------------------------------|---|---------------------|
| Utgåva Issue 2006-12 | Bildnr Picture No 1287B | SB 39- SB 40 RÖJARE FÖRGASARE | SB 39- SB 40 BRUSH CUTTER CARBURETTOR | Sida Page 300 |
|----------------------------|-------------------------------|-------------------------------------|---|---------------------|

| Pos. Fig. | Antal/Quantity | | | Art nr Part No | Benämning | Description | Sats Kit | Anmärkning Notes |
|--------------|----------------------------|--|--|-------------------|----------------------------|----------------------------|-------------|---------------------|
| | 6118 -11 4629 -13 | | | | | | | |
| 1 | 1 | | | 1911-3104-01 | Packning..... | Gasket..... | | |
| 2 | 1 | | | 1911-3122-01 | Insugningsrör..... | Intake manifold..... | | |
| 3 | 2 | | | 1911-3031-01 | Mutter..... | Nut..... | | |
| 4 | 2 | | | 1911-3008-01 | Skruv..... | Screw..... | | |
| 5 | 2 | | | 1911-3107-01 | Packning..... | Gasket..... | | |
| 6 | 1 | | | 1911-3132-01 | Värmedistans..... | Heat block..... | | |
| 7 | 1 | | | 1911-4256-01 | Förgasare kpl..... | Carburettor assy..... | | WYJ317 |
| 8 | 1 | | | 1911-3210-01 | Luftfilterfäste..... | Air filter holder..... | | |
| 9 | 2 | | | 1911-3015-01 | Bricka..... | Washer..... | | |
| 10 | 2 | | | 1911-3014-01 | Skruv..... | Screw..... | | |
| 11 | 1 | | | 1911-3126-01 | Luftfilter..... | Air filter..... | | |
| 12 | 1 | | | 1911-3170-01 | Luftfilterkåpa..... | Air filter cover..... | | |
| 13 | 1 | | | 1911-3002-01 | • Skruv..... | • Screw..... | | |
| 14 | 1 | | | 1911-3071-01 | • Bricka..... | • Washer..... | | |
| 15 | 1 | | | 1911-3164-01 | • Línhjul..... | • Starter pulley..... | | |
| 16 | 1 | | | 1911-3096-01 | • Skiva..... | • Disc..... | | |
| 17 | 1 | | | 1911-3176-01 | • Startfjäder..... | • Starter spring..... | | |
| 18 | 1 | | | 1911-3202-01 | • Starthus..... | • Starter recoil case..... | | |
| 19 | 4 | | | 1911-3007-01 | • Skruv..... | • Screw..... | | |
| 20 | 1 | | | 1911-3130-01 | • Startsnöre..... | • Starter cord..... | | |
| 21 | 1 | | | 1911-3479-01 | • Starthandtag..... | • Starter handle..... | | |
| 22 | 4 | | | 1911-3117-01 | • Gummikudde..... | • Grommet..... | | |
| 23 | 1 | | | 1911-3148-01 | Start kpl..... | Starter assy..... | | Inkl. pos 13 - 22 |
| 24 | 1 | | | 1911-3115-01 | Primer..... | Primer bulb..... | | |
| 25 | 1 | | | 1911-3157-01 | Packning- membransats..... | Gasket- diaphragm set..... | | |
| 30 | 2 | | | 1911-3023-01 | Mutter..... | Nut..... | | |



| | | | | |
|----------------------------|------------------------------|---------------------------------|--|---------------------|
| Utgåva Issue 2006-12 | Bildnr Picture No 1970 | SB 39- SB 43P RÖJARE RIGG | SB 39- SB 43P BRUSH CUTTER DRIVE SHAFT | Sida Page 292 |
|----------------------------|------------------------------|---------------------------------|--|---------------------|

| Pos. Fig. | Antal/Quantity | | Art nr Part No | Benämning | Description | Sats Kit | Anmärkning Notes |
|--------------|----------------|-------------|-------------------|------------------------------|------------------------------|-------------|---------------------|
| | 6118 -11 | 6113 -12 | | | | | |
| 1 | 4 | 4 | 1911-3001-01 | Skruv | Screw | | |
| 2 | 1 | 1 | 1911-4006-01 | Stöd- fram | Housing support- front | | |
| 3 | 1 | 1 | 1911-4004-01 | Vibrationsdämpare- fra | Shock absorber- front | | |
| 4 | 1 | 1 | 1911-4009-01 | Handtag- fram | Handle- front | | |
| 5 | 2 | 2 | 1911-3216-01 | Bricka | Washer | | |
| 6 | 2 | 2 | 1911-3251-01 | Skruv | Screw | | |
| 7 | 1 | 1 | 1911-4007-01 | Distans | Step- down spacer | | |
| 8 | 1 | 1 | 1911-4008-01 | Transmissionshus | Transmission housing | | |
| 9 | 1 | 1 | 1911-4010-01 | Handtagshus | Handgrip housing | | |
| 10 | 1 | 1 | 1911-4003-01 | Säkerhetsspärr | Safety lever | | |
| 11 | 1 | 1 | 1911-4001-01 | Fjäder | Spring | | |
| 12 | 1 | 1 | 1911-4002-01 | Gasreglage | Throttle lever | | |
| 13 | 1 | 1 | 1911-3699-01 | Stoppknapp | Stop knob | | |
| 14 | 1 | 1 | 1911-3681-01 | Stopplatta | Stop plate | | |
| 15 | 1 | 1 | 1911-3656-01 | Skruv | Screw | | |
| 16 | 1 | 1 | 1911-3999-01 | Kabelhölje | Wire sheath | | |
| 17 | 1 | 1 | 1911-4251-01 | Gaswire | Throttle cable | | |
| 17 | 1 | 1 | 1911-4452-01 | Gaswire | Throttle cable | | |
| 18 | 1 | 1 | 1911-3669-01 | Jordkabel | Earth cable | | |
| 19 | 1 | 1 | 1911-4238-01 | Kabel | Coil- switch cable | | |
| 20 | 1 | 1 | 1911-4005-01 | Vibrationsdämpare- bak | Shock absorber- rear | | |
| 21 | 1 | 1 | 1911-3011-01 | Skruv | Screw | | |
| 22 | 1 | 1 | 1911-3021-01 | Mutter | Nut | | |
| 23 | 4 | 4 | 1911-3012-01 | Skruv | Screw | | |
| 24 | 1 | 1 | 1911-3658-01 | • Skruv | • Screw | | |
| 25 | 1 | 1 | 1911-3035-01 | • Kullager | • Ball bearing | | |
| 26 | 1 | 1 | 1911-3066-01 | • Låsring | • Lock ring | | |
| 27 | 1 | 1 | 1911-3188-01 | Transmissionsnav kpl | Transmission hub assy | | Inkl. pos 24 - 26 |
| 28 | 1 | 1 | 1911-3134-01 | • Kopplingstrumma | • Clutch | | |
| 29 | 1 | 1 | 1911-3083-01 | • Lagernav | • Bearing hub | | |
| 30 | 1 | 1 | 1911-3140-01 | Drivaxel kpl | Transm. shaft assy | | Inkl. pos 28 - 29 |
| 31 | 1 | 1 | 1911-3139-01 | Drivaxelrör | Transmission pipe | | |
| 32 | 2 | 2 | 1911-3216-01 | Bricka | Washer | | |
| 33 | 2 | 2 | 1911-3009-01 | Skruv | Screw | | |
| 34 | 1 | 1 | 1911-3006-01 | • Skruv | • Screw | | |
| 35 | 1 | 1 | 1911-3077-01 | • Kniv | • Line cutter | | |
| 36 | 1 | 1 | 1911-3022-01 | • Mutter | • Nut | | |
| 37 | 1 | 1 | 1911-3216-01 | • Bricka | • Washer | | |
| 38 | 1 | 1 | 1911-3201-01 | Säkerhetsskydd kpl | Safety cover assy | | Inkl. pos 34 - 37 |
| 39 | 1 | 1 | 1911-3724-01 | Sele | Harness | | |
| 99 | 1 | 1 | 1911-3212-01 | Skyddsglasögon | Protective goggles | | Tillbehör/accessory |

X

| Utgåva Issue 2006- 12 | | Bildnr Picture No 1285D | | SB 39- SB 40- SB 43P SB 44P- SB 52P PRO RÖJARE SNÄCKVÄXEL | | SB 39- SB 40- SB 43P SB 44P- SB 52P PRO BRUSH CUTTER GEAR CASE | | Sida Page 296 | |
|-----------------------------|----------------------------|-------------------------------|----------------------------|--|-------------------|---|-----------------------------|---------------------|---------------------|
| Pos. Fig. | Antal/Quantity | | | | Art nr Part No | Benämning | Description | Sats Kit | Anmärkning Notes |
| | 6118 -11 4629 -13 | 6113 -12 | 6115 -12 4630 -14 | | | | | | |
| 1 | 1 | 1 | | | 1911-3137-01 | Snäckväxel kpl..... | Gear case assy..... | | Inkl. pos 2 - 21 |
| 1 | | | 1 | | 1911-3138-01 | Snäckväxel kpl..... | Gear case assy..... | | Inkl. pos 2 - 21 |
| 1A | 1 | 1 | | | 1911-3161-01 | Snäckväxelhus..... | Gear case..... | | |
| 1A | | | 1 | | 1911-3162-01 | Snäckväxelhus..... | Gear case..... | | |
| 2 | 1 | 1 | 1 | | 1911-3067-01 | • Låsring..... | • Lock ring..... | | |
| 3 | 1 | 1 | 1 | | 1911-3065-01 | • Låsring..... | • Lock ring..... | | |
| 4 | 1 | 1 | 1 | | 1911-3037-01 | • Kullager..... | • Ball bearing..... | | |
| 5 | 1 | 1 | 1 | | 1911-3036-01 | • Kullager..... | • Ball bearing..... | | |
| 6 | 1 | 1 | | | 1911-3182-01 | • Snäckdrev..... | • Worm gear..... | | |
| 6 | | | 1 | | 1911-3183-01 | • Snäckdrev..... | • Worm gear..... | | |
| 7 | 2 | 2 | 2 | | 1911-3008-01 | • Skruv..... | • Screw..... | | |
| 8 | 1 | 1 | 1 | | 1911-3025-01 | • Skruv..... | • Screw..... | | |
| 9 | 1 | 1 | 1 | | 1911-3029-01 | • Skruv..... | • Screw..... | | |
| 10 | 1 | 1 | 1 | | 1911-3038-01 | • Kullager..... | • Ball bearing..... | | |
| 13 | 1 | 1 | 1 | | 1911-3034-01 | • Kullager..... | • Ball bearing..... | | |
| 14 | 1 | 1 | 1 | | 1911-3066-01 | • Låsring..... | • Lock ring..... | | |
| 15 | 1 | 1 | 1 | | 1911-3045-01 | • Tätningsring..... | • Oil seal..... | | |
| 16 | 1 | 1 | 1 | | 1911-3082-01 | • Hylsa..... | • Collar..... | | |
| 17 | 1 | 1 | 1 | | 1911-3081-01 | • Ringmutter- övre..... | • Ring nut- upper..... | | |
| 18 | 1 | 1 | 1 | | 1911-3070-01 | • Ringmutter- nedre..... | • Ring nut- lower..... | | |
| 19 | 1 | 1 | 1 | | 1911-3163-01 | • Skål kpl (fast)..... | • Bowl assy (fixed)..... | | Inkl. pos 20 - 21 |
| 20 | 1 | 1 | 1 | | 1911-3018-01 | • • Bricka..... | • • Washer..... | | |
| 21 | 1 | 1 | 1 | | 1911-3026-01 | • • Skruv (vä- gängad)..... | • • Screw (LH- thread)..... | | |
| 22 | 1 | 1 | 1 | | 1911-3179-01 | Röjklina..... | Clearing blade..... | | 4T - Ø 255 mm |
| 22A | 1 | 1 | 1 | | 1911-3850-01 | Klingskydd..... | Blade guard..... | | Ej ill/not ill. |
| 24 | 1 | 1 | 1 | | 1911-3921-01 | Sågklina..... | Saw blade..... | | 24T - Ø 255 mm |
| 31 | 1 | 1 | 1 | | 1911-3877-01 | Skärhuvud kpl..... | Cutterhead assy..... | | Inkl. pos 32 - 33 |
| 31A | 1 | 1 | 1 | | 1911-9008-04 | Skärtråd (2.4 mm)..... | Cutting line (2.4 mm)..... | | 0.45 kg (90 m) |
| 31A | 1 | 1 | 1 | | 1911-9008-08 | Skärtråd (2.4 mm)..... | Cutting line (2.4 mm)..... | | 15 m |
| 32 | 2 | 2 | 2 | | 1911-3875-01 | • Trådhylsa..... | • Line inlet..... | | |
| 33 | 1 | 1 | 1 | | 1911-3876-01 | • Fjäder..... | • Spring..... | | |
| 41 | 1 | 1 | 1 | | 1911-3154-01 | Skärhuvud kpl (Profi)..... | Nylon head (Profi)..... | | Inkl. pos 42 - 44 |
| 41A | 1 | 1 | 1 | | 1911-9008-04 | Skärtråd (2.4 mm)..... | Cutting line (2.4 mm)..... | | 0.45 kg (90 m) |
| 41A | 1 | 1 | 1 | | 1911-9008-08 | Skärtråd (2.4 mm)..... | Cutting line (2.4 mm)..... | | 15 m |
| 42 | 2 | 2 | 2 | | 1911-3085-01 | • Bussning..... | • Bushing..... | | |
| 43 | 1 | 1 | 1 | | 1911-3213-01 | • Fjäder..... | • Spring..... | | |
| 44 | 1 | 1 | 1 | | 1911-3215-01 | • Lock..... | • Cover..... | | |
| 45 | 1 | 1 | 1 | | 1911-3076-01 | Kopp..... | Cup..... | | |
| 99 | 1 | 1 | 1 | | 1911-3853-01 | Fettub..... | Grease tube..... | | Ej ill/not ill. |