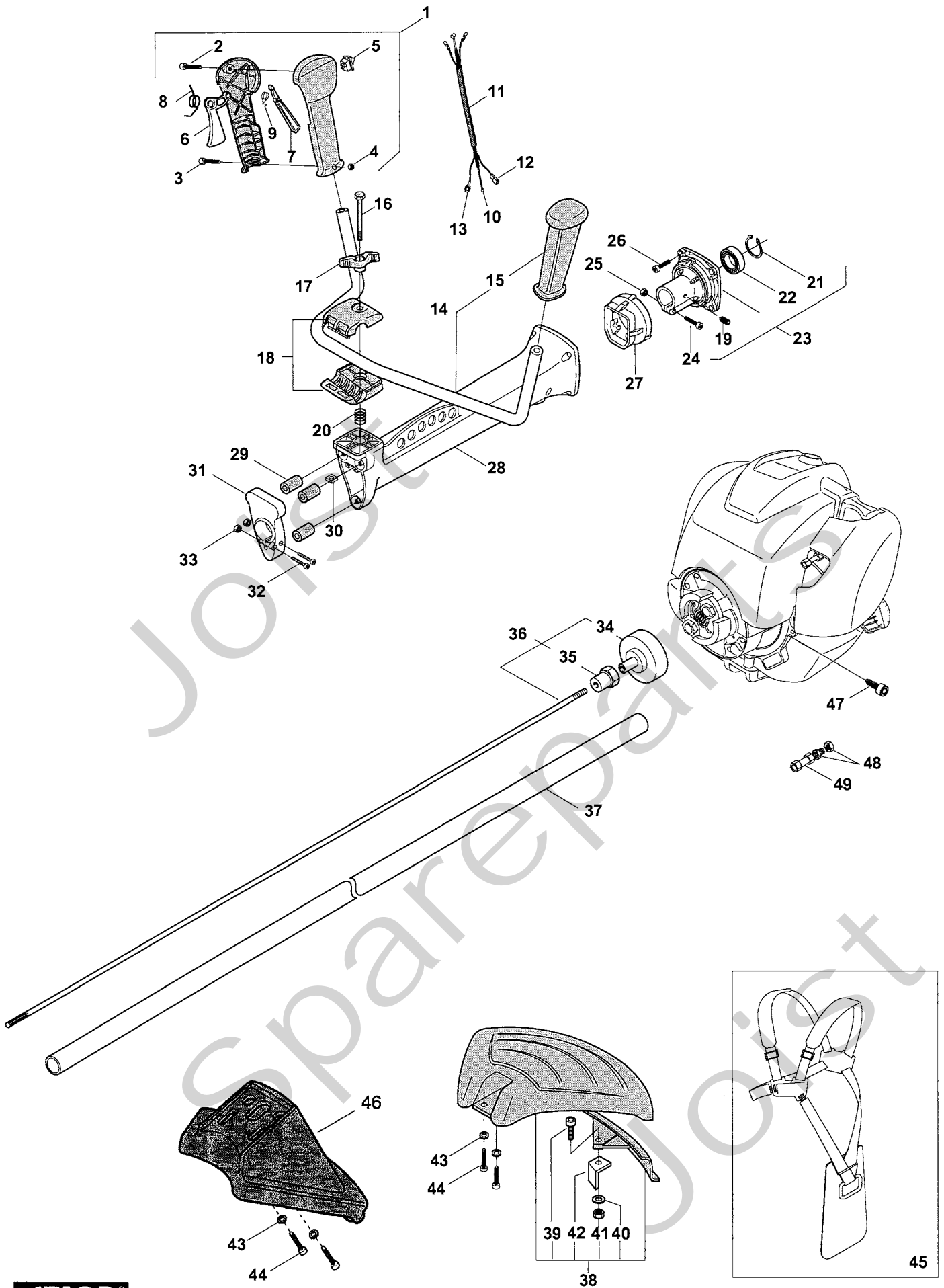


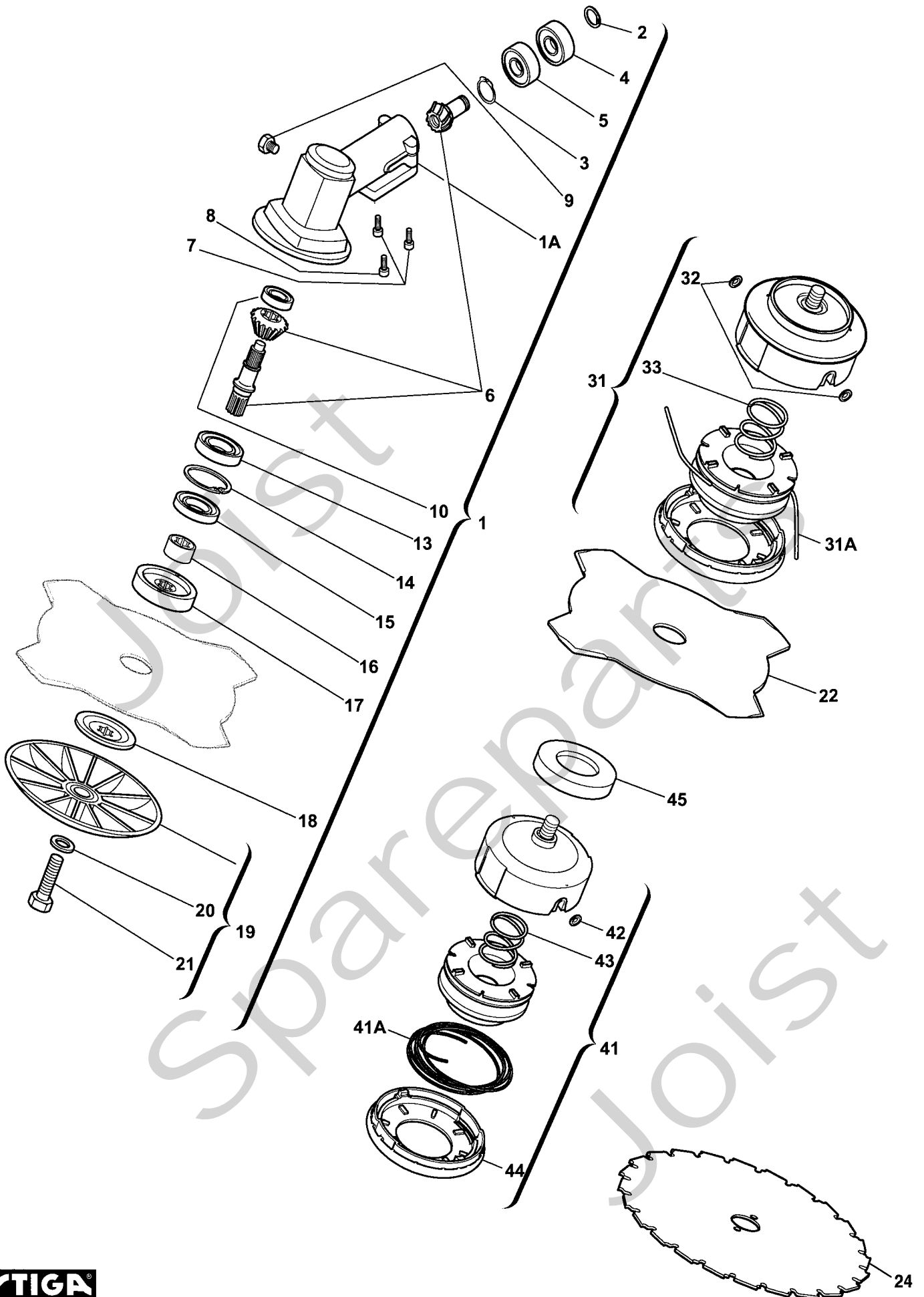
Genuine Spare Parts



Joist
Spareparts
Joist



Utgåva Issue 2006-12		Bildnr Picture No 1753		SB 436 RÖJARE RIGG		SB 436 BRUSH CUTTER DRIVE SHAFT		Sida Page 316	
Pos. Fig.	Antal/Quantity			Art nr Part No	Benämning	Description	Sats Kit	Anmärkning Notes	
	4402 -11								
1	1			1911-3203-01	Handtag kpl	Handle assy.....		Inkl. pos 2 - 9	
2	1			1911-3001-01	• Skruv	• Screw			
3	1			1911-3008-01	• Skruv	• Screw			
4	1			9747-0531-02	• Mutter	• Nut			
5	1			1911-3053-01	• Stoppkontakt	• Stop switch			
6	1			1911-3108-01	• Gasreglage	• Throttle lever			
7	1			1911-3109-01	• Säkerhetsspärr	• Safety lever			
8	1			1911-3089-01	• Fjäder	• Spring			
9	1			1911-3090-01	• Fjäder	• Spring			
10	1			1911-3996-01	Gaswire	Throttle wire.....			
11	1			1911-3997-01	Kabelskydd	Wire sheath.....			
12	1			1911-3993-01	Kabel- röd	Cable- red.....			
13	1			1911-3994-01	Jordkabel- svart	Ground cable- black			
14	1			1911-3722-01	Styre	Handle.....	Inkl. pos 15		
15	1			1911-3114-01	• Handtag- vä	• Knob- left.....			
16	1			1911-3000-01	Skruv	Screw			
17	1			1911-3123-01	Vingmutter	Wing nut			
18	1			1911-3192-01	Styrinfästning kpl	Handle support assy			
19	1			1911-3658-01	• Skruv	• Screw			
20	1			1911-3091-01	Fjäder	Spring			
21	1			1911-3066-01	• Låsring	• Lock ring			
22	1			1911-3035-01	• Kullager	• Ball bearing			
23	1			1911-3188-01	Transmissionsnav kpl	Transmission hub assy	Inkl. pos 19, 21 - 22		
24	1			1911-3011-01	Skruv	Screw			
25	1			1911-3021-01	Mutter	Nut			
26	4			1911-3012-01	Skruv	Screw			
27	1			1911-3111-01	Vibrationsdämpare- bak	Shock absorber- rear			
28	1			1911-3171-01	Transmissionshus	Transmission housing			
29	3			1911-3110-01	Vibrationsdämpare- fra	Shock absorber- front			
30	1			1911-3080-01	Handtagsfästmutter	Handle fixing plate			
31	1			1911-3172-01	Stöd- främre	Housing support- front			
32	2			1911-3009-01	Skruv	Screw			
33	2			9747-0531-02	Mutter	Nut			
34	1			1911-3134-01	• Kopplingstrumma	• Clutch			
35	1			1911-3083-01	• Lagernav	• Bearing hub			
36	1			1911-3140-01	Drivaxel kpl	Transm. shaft assy	Inkl. pos 34 - 35 D = 26 mm		
37	1			1911-3139-01	Drivaxelrör	Transmission pipe			
38	1			1911-3201-01	Säkerhetsskydd kpl	Safety cover assy	Inkl. pos 39 - 42		
39	1			1911-3006-01	• Skruv	• Screw			
40	1			1911-3216-01	• Bricka	• Washer			
41	1			1911-3022-01	• Mutter	• Nut			
42	1			1911-3077-01	• Kniv	• Line cutter			
43	2			1911-3216-01	Bricka	Washer			
44	2			1911-3009-01	Skruv	Screw			
45	1			1911-3152-01	Sele	Harness			
46	1			1911-3166-01	Stenskydd (sågklinga)	Stone shield (saw)			
47	1			1911-3261-01	Skruv	Screw			
48	2			1911-4000-01	Mutter	Nut			
49	1			1911-3998-01	Wirejustering	Throttle cable adjust			
99	1			1911-3212-01	Skyddsglasögon	Protective goggles	Tillbehör/accessory		



Utgåva Issue 2006-12	Bildnr Picture No 1285D	SB 435- SB 436 RÖJARE SNÄCKVÄXEL	SB 435- SB 436 BRUSH CUTTER GEAR CASE	Sida Page 318
----------------------------	-------------------------------	--	---	---------------------

Pos. Fig.	Antal/Quantity				Art nr Part No	Benämning	Description	Sats Kit	Anmärkning Notes
	4401	4402	-11						
1	1				1911-3137-01	Snäckväxel kpl.....	Gear case assy.....		Inkl. pos 2 - 21
1A	1				1911-3161-01	Snäckväxelhus.....	Gear case.....		
2	1				1911-3067-01	• Låsring.....	• Lock ring.....		
3	1				1911-3065-01	• Låsring.....	• Lock ring.....		
4	1				1911-3037-01	• Kullager.....	• Ball bearing.....		
5	1				1911-3036-01	• Kullager.....	• Ball bearing.....		
6	1				1911-3182-01	• Snäckdrev.....	• Worm gear.....		
7	2				1911-3008-01	• Skruv.....	• Screw.....		
8	1				1911-3025-01	• Skruv.....	• Screw.....		
9	1				1911-3029-01	• Skruv.....	• Screw.....		
10	1				1911-3038-01	• Kullager.....	• Ball bearing.....		
13	1				1911-3034-01	• Kullager.....	• Ball bearing.....		
14	1				1911-3066-01	• Låsring.....	• Lock ring.....		
15	1				1911-3045-01	• Tätningsring.....	• Oil seal.....		
16	1				1911-3082-01	• Hylsa.....	• Collar.....		
17	1				1911-3081-01	• Ringmutter- övre.....	• Ring nut- upper.....		
18	1				1911-3070-01	• Ringmutter- nedre.....	• Ring nut- lower.....		
19	1				1911-3163-01	• Skål kpl (fast).....	• Bowl assy (fixed).....		Inkl. pos 20 - 21
20	1				1911-3018-01	• Bricka.....	• Washer.....		
21	1				1911-3026-01	• Skruv (vå- gängad).....	• Screw (LH- thread).....		
22	1				1911-3179-01	Röjklinga.....	Clearing blade.....		4T - Ø 255 mm
24	1				1911-3921-01	Sågklinga.....	Saw blade.....		24T - Ø 255 mm
31	1				1911-3877-01	Skärhuvud kpl.....	Cutterhead assy.....		Inkl. pos 32 - 33
31A	1				1911-9008-04	Skärtråd (2.4 mm).....	Cutting line (2.4 mm).....		0.45 kg (90 m)
31A	1				1911-9008-08	Skärtråd (2.4 mm).....	Cutting line (2.4 mm).....		15 m
32	2				1911-3875-01	• Trådhylsa.....	• Line inlet.....		
33	1				1911-3876-01	• Fjäder.....	• Spring.....		
41	1				1911-3154-01	Skärhuvud kpl (Profi).....	Nylon head (Profi).....		Inkl. pos 42 - 44
41A	1				1911-9008-04	Skärtråd (2.4 mm).....	Cutting line (2.4 mm).....		0.45 kg (90 m)
41A	1				1911-9008-08	Skärtråd (2.4 mm).....	Cutting line (2.4 mm).....		15 m
42	2				1911-3085-01	• Bussning.....	• Bushing.....		
43	1				1911-3213-01	• Fjäder.....	• Spring.....		
44	1				1911-3215-01	• Lock.....	• Cover.....		
45	1				1911-3076-01	Kopp.....	Cup.....		
98	1				1911-3850-01	Klingskydd.....	Blade guard.....		Ej ill/not ill.
99	1				1911-3853-01	Fettub.....	Grease tube.....		Ej ill/not ill.