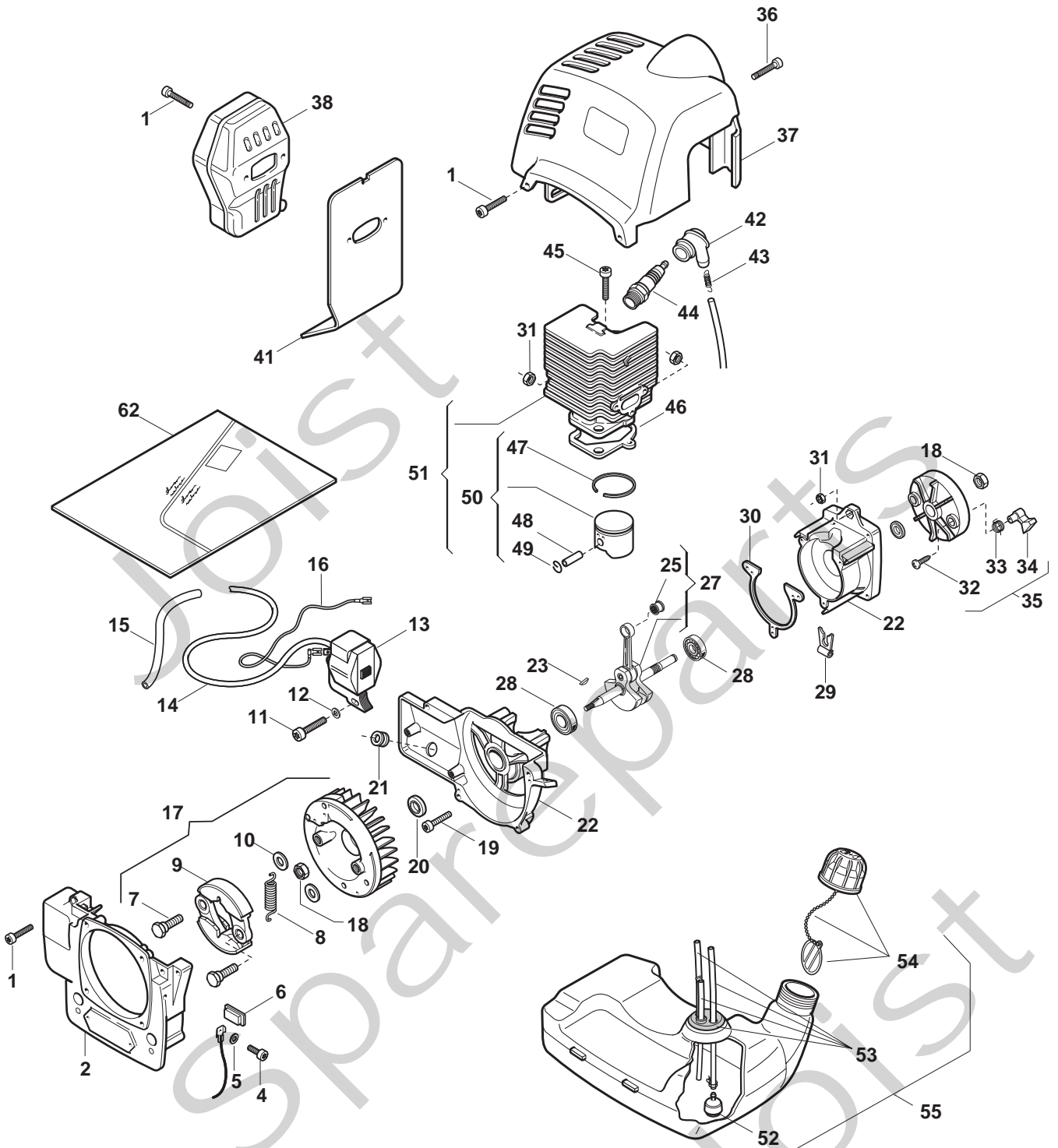


# Genuine Spare Parts

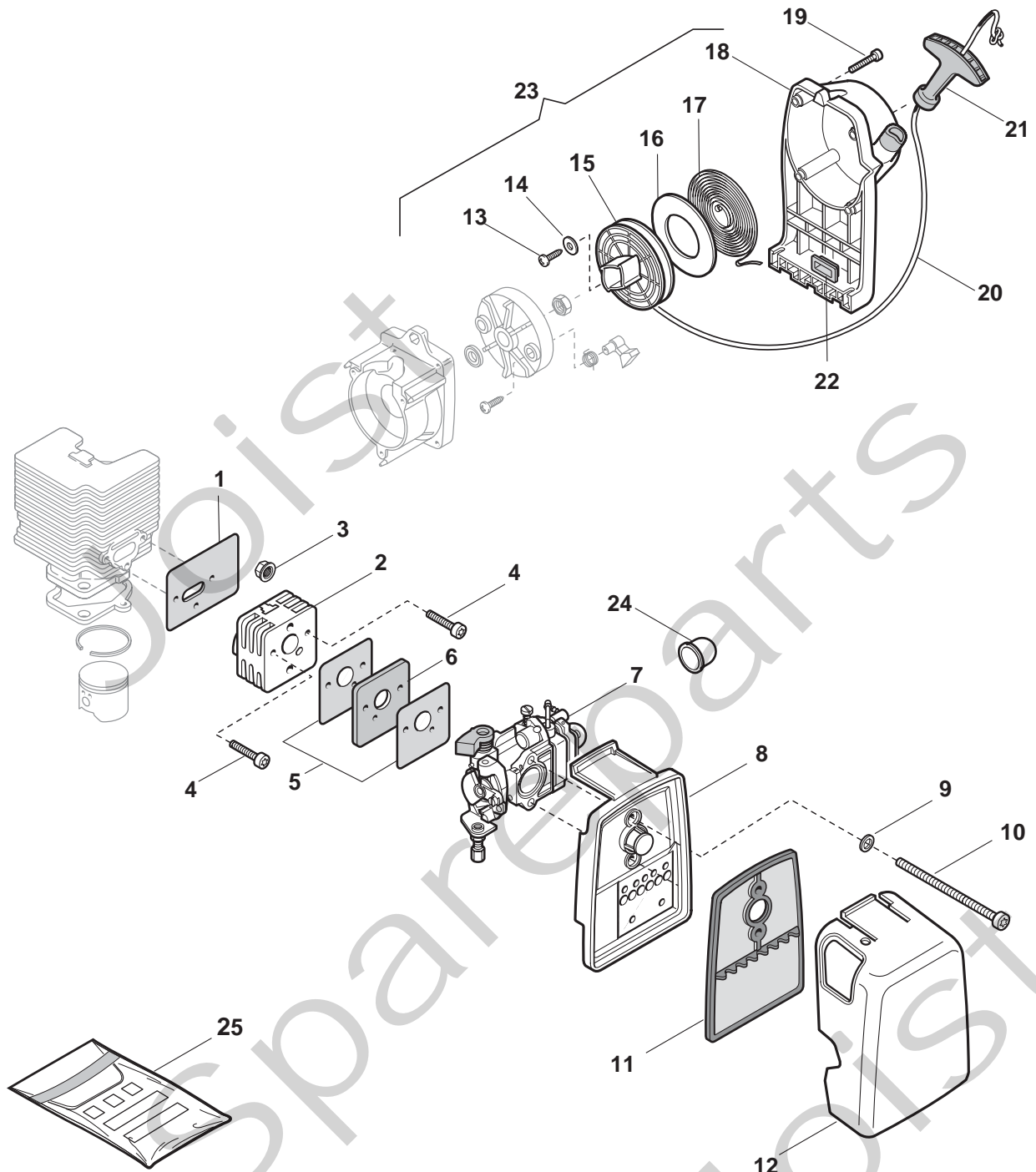
---



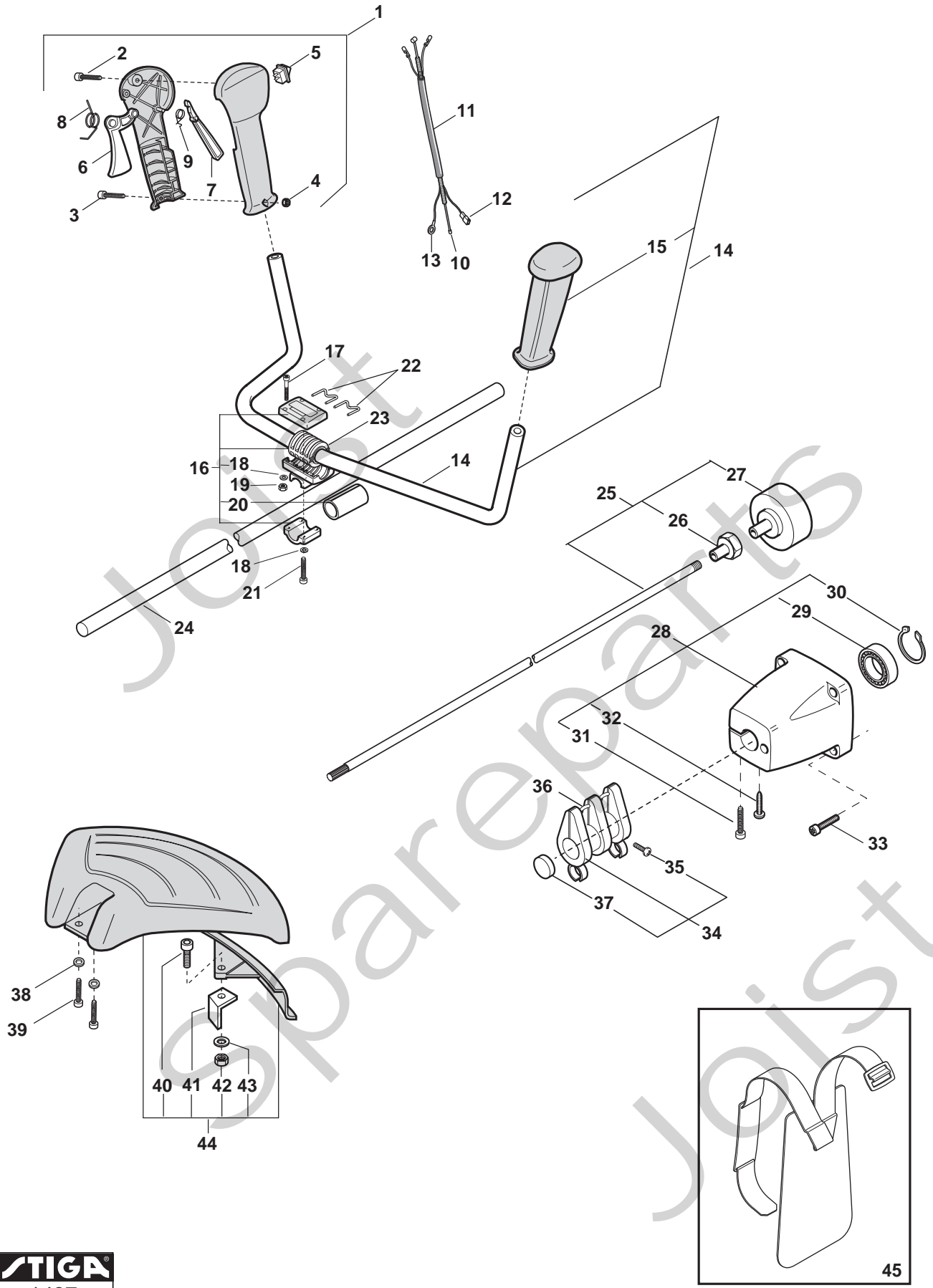
Joist  
Spareparts  
Joist



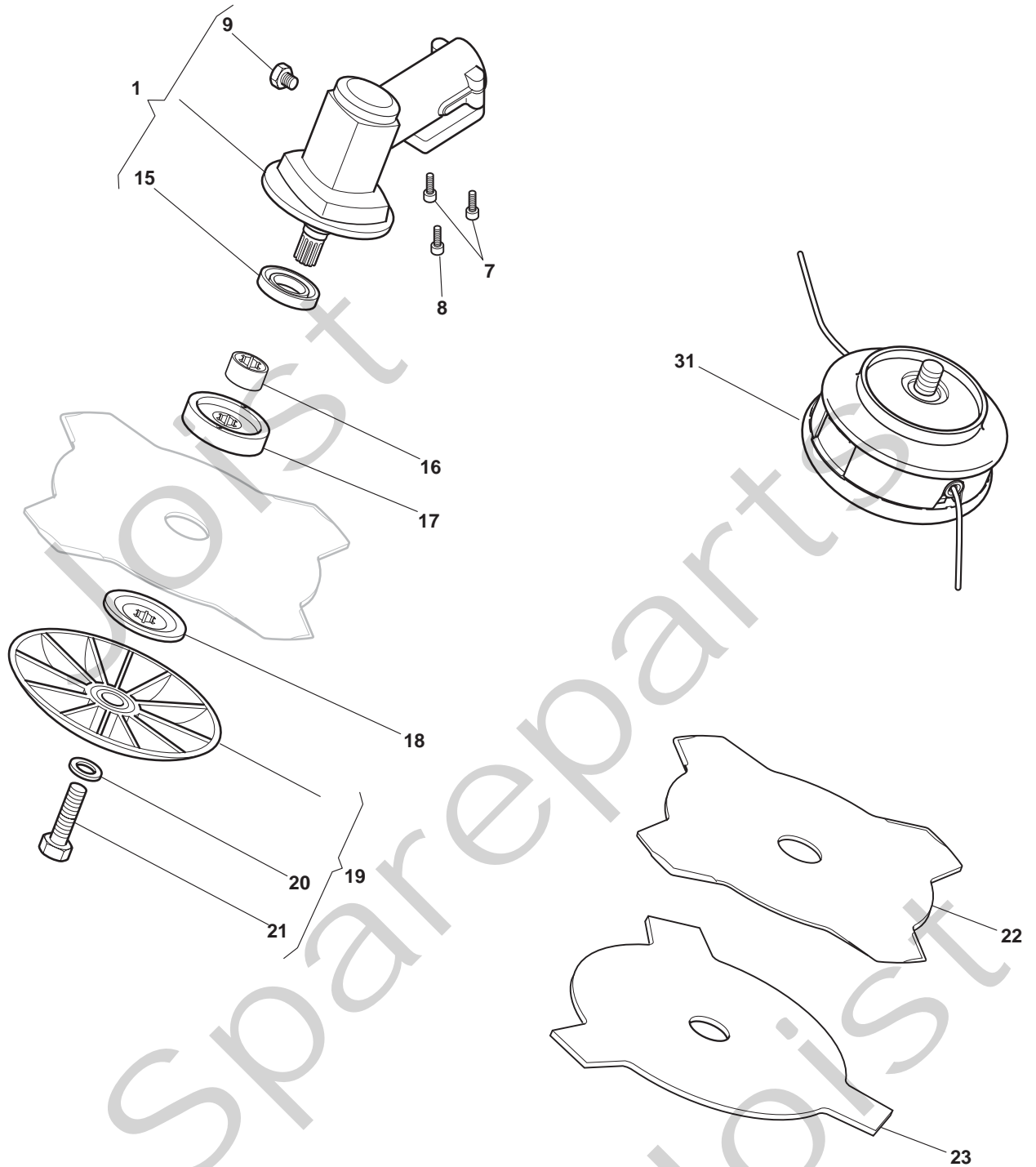
Utgåva Issue 2007- 12		Bildnr Picture No 1489C		SB 28- SB 30 RÖJARE MOTOR		SB 28- SB 30 BRUSH CUTTER ENGINE		Sida Page 292	
Pos. Fig.	Antal/Quantity				Art nr Part No	Benämning	Description	Sats Kit	Anmärkning Notes
	6111 6112 -11								
1	12				2135040	Skruv .....	Screw .....		
2	1				4540820	Transm.stödhus .....	Transm.support case .....		
4	1				2132500	Skruv .....	Screw .....		
5	1				2312120	Bricka .....	Washer .....		
6	4				3745530	Gummikudde .....	Grommet .....		
7	2				2653280	• Skruv .....	• Screw .....		
8	1				3654090	Fjäder .....	Spring .....		
9	2				3660450	• Koppling .....	• Clutch unit .....		
10	2				2321100	• Bricka .....	• Washer .....		
11	2				2132510	Skruv .....	Screw .....		
12	2				2321050	Bricka .....	Washer .....		
13	1				3210665	Elektronikspole .....	Electronic coil .....		
14	1				3211080	Tändstiftskabel .....	Spark plug cable .....		
15	1				3782040	Kabelhölje .....	Wire sheath .....		
16	1				3211410	Jordkabel .....	Earth cable .....		
17	1				4251470	Svånghjul kpl .....	Flywheel assy .....		Inkl. pos 7, 9, 10
18	2				2670120	Mutter .....	Nut .....		
19	3				2135050	Skruv .....	Screw .....		
20	2				3121070	Tätningring .....	Seal ring .....		
21	1				3745130	Hylsa .....	Grommet .....		
22	1				8540680	Vevhus kpl .....	Crankcase .....		
23	1				3151010	Kil .....	Key .....		
25	1				3116100	• Nällager .....	• Needle bearing .....		
27	1				8250830	Vevaxel kpl .....	Crankshaft assy .....		Inkl. pos 25
28	2				3112240	Kullager .....	Ball bearing .....		
29	1				3750280	Kabelhållare .....	Massathread guide .....		
30	1				3724031	Packning .....	Gasket .....		
31	5				2432040	Mutter .....	Nut .....		
32	2				2123100	• Skruv .....	• Screw .....		
33	2				3654050	• Fjäder .....	• Spring .....		
34	2				3749570	• Startspärr .....	• Starter hook .....		
35	1				8540810	Startkopp kpl .....	Starter cup assy .....		Inkl. pos 32 - 34
36	1				2135030	Skruv .....	Screw .....		
37	1				4563690	Cylinderkåpa- gul .....	Cylinder cover- yellow .....		
38	1				4122140	Ljuddämpare .....	Muffler .....		
41	1				3724370	Packning .....	Gasket .....		
42	1				3744850	Tändstiftshatt .....	Spark plug cap .....		
43	1				3657530	Tändstiftsfjäder .....	Spark plug spring .....		
44	1				9400- 0258- 00	Tändstift .....	Spark plug .....		Champion CJ7Y
45	2				2135150	Skruv .....	Screw .....		
46	1				3724250	Packning .....	Gasket .....		
47	1				3123210	•• Kolvring .....	•• Piston ring .....		
48	1				3158220	•• Kolvbult .....	•• Piston pin .....		
49	2				3356050	•• Låsring .....	•• Lock ring .....		
50	1				8541100/1	• Kolv kpl .....	• Piston assy .....		Inkl. pos 47 - 49
51	1				8541090/1	Cylinder- kolv kpl .....	Cylinder- piston assy .....		Inkl. pos 50
52	1				4253290	• Bränslefilter .....	• Intake filter .....		
53	1				8745541	• Gummitätning .....	• Grommet .....		
54	1				8741370	• Tanklock .....	• Fuel tank cap .....		
55	1				4252530	Bränsletank kpl .....	Fuel tank assy .....		Inkl. pos 52 - 54
62	1				8724370	Packningssats .....	Gasket set .....		Inkl. pos 30, 41, 46



Utgåva Issue 2007- 12		Bildnr Picture No 1490A		SB 28- SB 30 RÖJARE MOTOR		SB 28- SB 30 BRUSH CUTTER ENGINE		Sida Page 294	
Pos. Fig.	Antal/Quantity				Art nr Part No	Benämning	Description	Sats Kit	Anmärkning Notes
	6111 6112 -11								
1	1				3724360	Packning.....	Gasket .....		
2	1				3750410	Insugningsrör.....	Intake manifold .....		
3	2				2670280	Mutter.....	Nut .....		
4	2				2135050	Skruv.....	Screw.....		
5	2				3724400	Packning.....	Gasket .....		
6	1				3785070	Värmeisolering .....	Heat block .....		
7	1				23054009/1	Fögasare.....	Carburettor.....		Walbro WYJ 400A
8	1				8750430	Luftfilterhållare .....	Air filter holder .....		
9	3				2312090	Bricka .....	Washer.....		
10	2				2135250	Skruv.....	Screw.....		
11	1				3781630	Luftfilter.....	Air filter .....		
12	1				4563710	Luftfilterkåpa- gul.....	Filter cover- yellow .....		
13	3				2123100	• Skruv .....	• Screw .....		
14	1				3613420	• Bricka .....	• Washer .....		
15	1				4562220	• Linhjul.....	• Starter pulley.....		
16	1				3723640	• Skiva.....	• Disc.....		
17	1				4611480	• Fjäder.....	• Spring .....		
18	1				8563700	• Starthus .....	• Starter recoil case .....		
19	4				2135040	• Skruv .....	• Screw .....		
20	1				3784030	• Startsnöre.....	• Starter cord .....		
21	1				3750067	• Starthandtag.....	• Starter handle.....		
22	4				3745530	• Gummikudde .....	• Grommet.....		Inkl. pos 13 - 22
23	1				4252690	Start kpl.....	Starter assy.....		
24	1				3744870	Primer .....	Primer.....		
25	1				4353150	Membran- packn.sats .....	Diaphragm- gasket set .....		



Utgåva Issue 2007- 12		Bildnr Picture No 1487		SB 30 RÖJARE RIGG		SB 30 BRUSH CUTTER DRIVE SHAFT		Sida Page 288	
Pos. Fig.	Antal/Quantity				Art nr Part No	Benämning	Description	Sats Kit	Anmärkning Notes
	6112 -11								
1	1				8563830	Handtag kpl .....	Handle assy.....		Inkl. pos 2 - 9
2	1				2123030	• Skruv .....	• Screw .....		
3	1				2135050	• Skruv .....	• Screw .....		
4	1				12154330/0	• Mutter .....	• Nut .....		
5	1				3210970	• Brytare .....	• Switch .....		
6	1				3743431/1	• Gasreglage .....	• Throttle lever .....		
7	1				3743441	• Säkerhetsspärr .....	• Safety lever .....		
8	1				3654270/1	• Fjäder .....	• Spring .....		
9	1				3654280/1	• Fjäder .....	• Spring .....		
10	1				4252720	Gaswire .....	Throttle cable .....		
11	1				3786240	Wirehölje .....	Wire sheath .....		
12	1				3211650	Kabel .....	Cable .....		
13	1				3211660	Jordkabel .....	Earth cable .....		
14	1				4252710/1	Handtag kpl .....	Handle assy.....		Inkl. pos 15 - 23
15	1				3744860/1	• Handtagsgrepp .....	• Knob .....		
16	1				8250397	• Styrfäste kpl .....	• Handle support assy .....		Inkl. pos 17 - 21
17	4				2135120	•• Skruv .....	•• Screw .....		
18	4				2312090	•• Bricka .....	•• Washer .....		
19	4				12154330/0	•• Mutter .....	•• Nut .....		
20	1				3721410	•• Gummihylsa .....	•• Rubber sleeve .....		
21	4				2123110	•• Skruv .....	•• Screw .....		
22	2				3657470	• Styråls .....	• Handle lock .....		
23	2				3744162	• Vibrationsdämpare .....	• Vibration grommet .....		
24	1				8251211	Transmissionsrör .....	Transmission tube .....		Ø 24 mm
25	1				4251410	Drivaxel .....	Transmission shaft .....		Inkl. pos 26 - 27
26	1				3642221	• Lagernav .....	• Bearing hub .....		
27	1				4121881/1	• Kopplingshjul .....	• Clutch drum .....		
28	1				8561600	Transmissionsstöd .....	Transmission support .....		Inkl. pos 29 - 32
29	1				3112170	• Kullager .....	• Ball bearing .....		
30	1				3353080	• Låsring .....	• Circlip .....		
31	2				2123140	• Skruv .....	• Screw .....		
32	1				2123150	• Skruv .....	• Screw .....		
33	4				2135160	Skruv .....	Screw .....		
34	1				8562512	Fäste för sele .....	Harness support .....		Inkl. pos 35, 37
35	4				2123140	• Skruv .....	• Screw .....		
36	1				3642530	Stift .....	Pin .....		
37	2				3721410	• Gummihylsa .....	• Rubber sleeve .....		
38	2				2312150	Bricka .....	Washer .....		
39	2				2135060	Skruv .....	Screw .....		
40	1				2135030	• Skruv .....	• Screw .....		
41	1				3615000	• Kniv .....	• Line cutter .....		
42	1				2432040	• Mutter .....	• Nut .....		
43	1				2312150	• Bricka .....	• Washer .....		
44	1				8563570	Stänkskydd kpl .....	Safety cover assy .....		Inkl. pos 40 - 43
45	1				4253460	Sele .....	Harness .....		
98	1				9959905	Skyddsglasögon .....	Protective goggles .....		Tillbehör/accessory





Utgåva Issue 2007-12		Bildnr Picture No 1488C		SB 28- SB 30 RÖJARE SNÄCKVÄXEL		SB 28- SB 30 BRUSH CUTTER GEAR CASE		Sida Page 290	
Pos. Fig.	Antal/Quantity				Art nr Part No	Benämning	Description	Sats Kit	Anmärkning Notes
	6111 6112 -11								
1	1				4252770/2	Snäckväxel kpl.....	Gear case assy.....		Inkl. pos 9, 15
7	2				2135050	Skruv.....	Screw.....		
8	1				2653090	Skruv.....	Screw.....		
9	1				2653460	• Skruv.....	• Screw.....		
15	1				3121180	• Tätningsring.....	• Oil seal.....		
16	1				3660680	Hylsa.....	Collar.....		
17	1				3641650	Ringmutter- övre.....	Ring nut- upper.....		
18	1				3612650	Ringmutter- nedre.....	Ring nut- lower.....		
19	1				4560610	Stabilisator kpl.....	Stabilizer assy.....		Inkl. pos 20 - 21
20	1				2321230	• Bricka.....	• Washer.....		
21	1				2653170	• Skruv.....	• Screw.....		
22	1				4611880	Röjklina.....	Blade.....		4T - Ø 255 mm
23	1				6031172	Röjklina.....	Blade.....		3T - Ø 255 mm
31	1				4353240/1	Skärhuvud kpl.....	Cutting head assy.....		M8x1,25 SX male
99	1				1911-9008-04	Skärtråd (2.4 mm).....	Cutting line (2.4 mm).....		0.45 kg (90 m)
99	1				1911-9008-08	Skärtråd (2.4 mm).....	Cutting line (2.4 mm).....		15 m