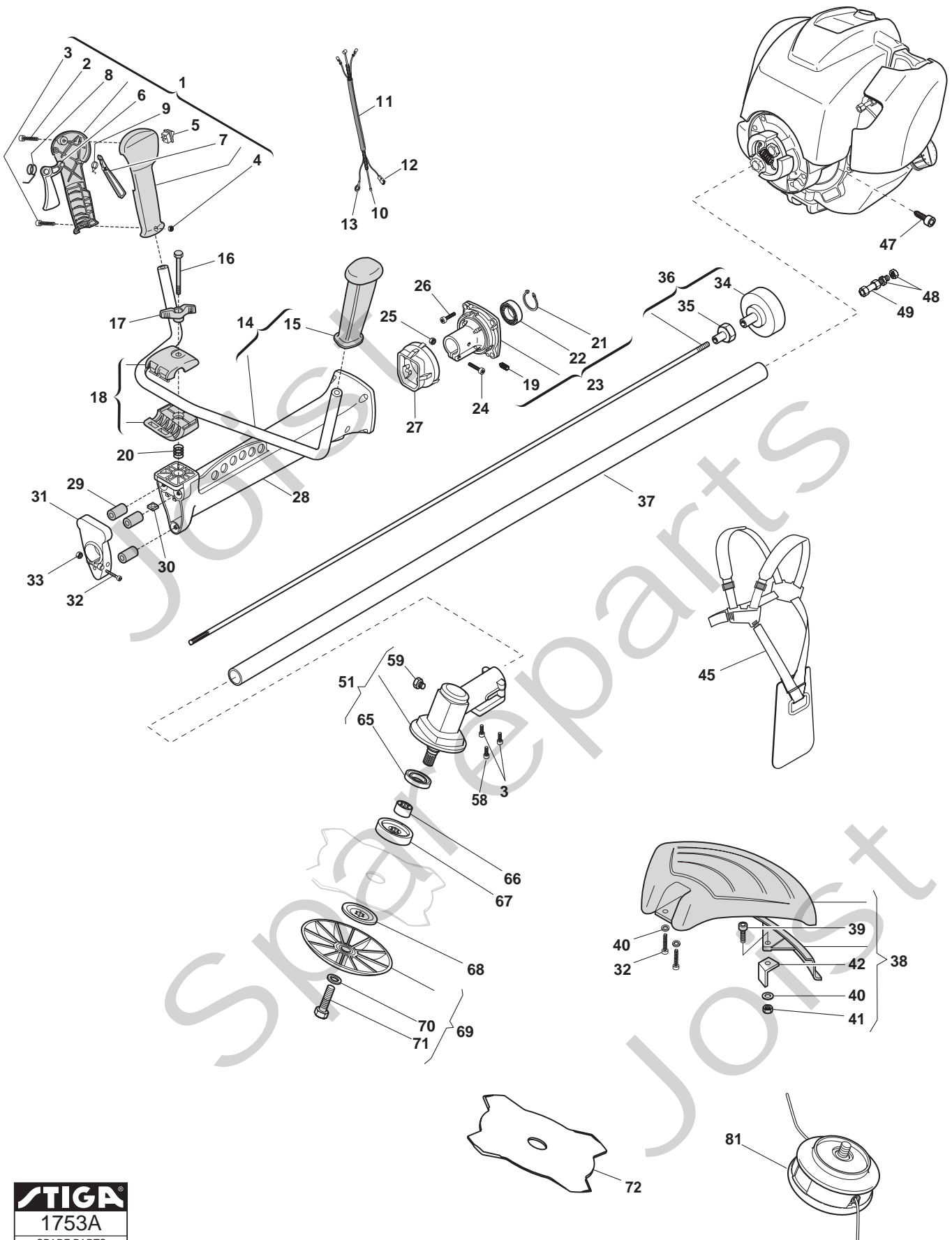


Genuine Spare Parts



Spareparts
Joist

POWERED by
HONDA



Utgåva Issue		Bildnr Picture No		SB 436 RÖJARE		SB 436 BRUSH CUTTER		Sida Page	
2007- 12		1753A						322	
Pos. Fig.	Antal/Quantity				Art nr Part No	Benämning	Description	Sats Kit	Anmärkning Notes
	4402 -11								
1	1			8563830	Handtag kpl	Handle assy.....		Inkl. pos 2 - 9	
2	1			2123030	• Skruv	• Screw			
3	3			2135050	• Skruv	• Screw			
4	1			12154330/0	• Mutter	• Nut			
5	1			3210970	• Brytare	• Switch			
6	1			3743431/1	• Gasreglage.....	• Throttle lever			
7	1			3743441	• Säkerhetsspärr	• Safety lever			
8	1			3654270/1	• Fjäder.....	• Spring			
9	1			3654280/1	• Fjäder.....	• Spring			
10	1			23066006/0	Gaswire	Throttle cable			
11	1			23290001/0	Kabelhölje.....	Cable sheath			
12	1			23065010/0	Kabel- röd	Cable- red			
13	1			23065011/1	Jordkabel- svart.....	Earth cable- black.....			
14	1			4252840/1	Styre	Handle		Inkl. pos 15	
15	1			3744860/1	• Handtagsgrepp	• Knob			
16	1			2112580	Skruv	Screw			
17	1			3750480	Vingmutter.....	Wing nut			
18	1			8521070	Styrinfästning kpl	Handgrip support			
19	1			2126050	• Skruv	• Screw			
20	1			3654530	Fjäder.....	Spring			
21	1			3353080	• Låsring	• Circlip			
22	1			3112170	• Kullager	• Ball bearing			
23	1			8520990/2	Transmissionsnav.....	Transmission hub.....		Inkl. pos 19, 21 - 22	
24	1			2135150	Skruv	Screw			
25	1			2432030	Mutter.....	Nut			
26	4			2135160	Skruv	Screw			
27	1			3744330	Vibrationsdämpare- bak.....	Shock absorber- rear.....			
28	1			4563850/2	Transmissionshus	Transmission housing.....			
29	3			3744320	Vibrationsdämpare- fra	Shock absorber- front			
30	1			3615190	Fästplatta	Handle fixing plate			
31	1			4563860	Stöd- främre	Housing support- front.....			
32	4			2135060	Skruv	Screw			
33	2			12154330/0	Mutter.....	Nut			
34	1			4121861/1	• Kopplingshjul	• Clutch drum			
35	1			3642191	• Lagernav.....	• Bearing hub.....			
36	1			4251400	Drivaxel kpl	Transmission shaft.....		Inkl. pos 34 - 35	
37	1			4251204	Drivaxelrör.....	Transmission pipe			
38	1			8563570	Stänkskydd kpl	Safety cover assy		Inkl. pos 39 - 42	
39	1			2135030	• Skruv	• Screw			
40	3			2312150	• Bricka	• Washer			
41	1			2432040	• Mutter.....	• Nut			
42	1			3615000	• Kniv	• Line cutter			
45	1			4253440	Sele	Harness.....			
47	1			2135020	Skruv	Screw			
48	2			2412090	Mutter.....	Nut			
49	1			3630600/1	Kabeljustering.....	Wire adjuster.....			
51	1			4252780/1	Snäckväxel kpl	Gear case assy		Inkl. pos 59, 65	
58	1			2653090	Skruv	Screw			
59	1			2653460	• Skruv	• Screw			
65	1			3121170	• Tätningring	• Oil seal			
66	1			3641700/1	Krage	Collar			
67	1			3641640	Ringmutter- övre	Ring nut- upper			
68	1			3612640	Ringmutter- nedre	Ring nut- lower			
69	1			4560610	Stabilisator kpl.....	Stabilizer assy		Inkl. pos 70 - 71	
70	1			2321230	• Bricka	• Washer			
71	1			2653170	• Skruv	• Screw			
72	1			4611880	Röjklinga	Blade		4T - Ø 255 mm	
81	1			4353240/1	Skärhuvud kpl.....	Cutting head assy.....		M8 x 1,25 SX male	
98	1			9959905	Skyddsglasögon	Protective goggles		Tillbehör/accessory	
99	1			1911- 9008- 04	Skärtråd (2.4 mm).....	Cutting line (2.4 mm).....		0.45 kg (90 m)	
99	1			1911- 9008- 08	Skärtråd (2.4 mm).....	Cutting line (2.4 mm).....		15 m	