

Genuine Spare Parts

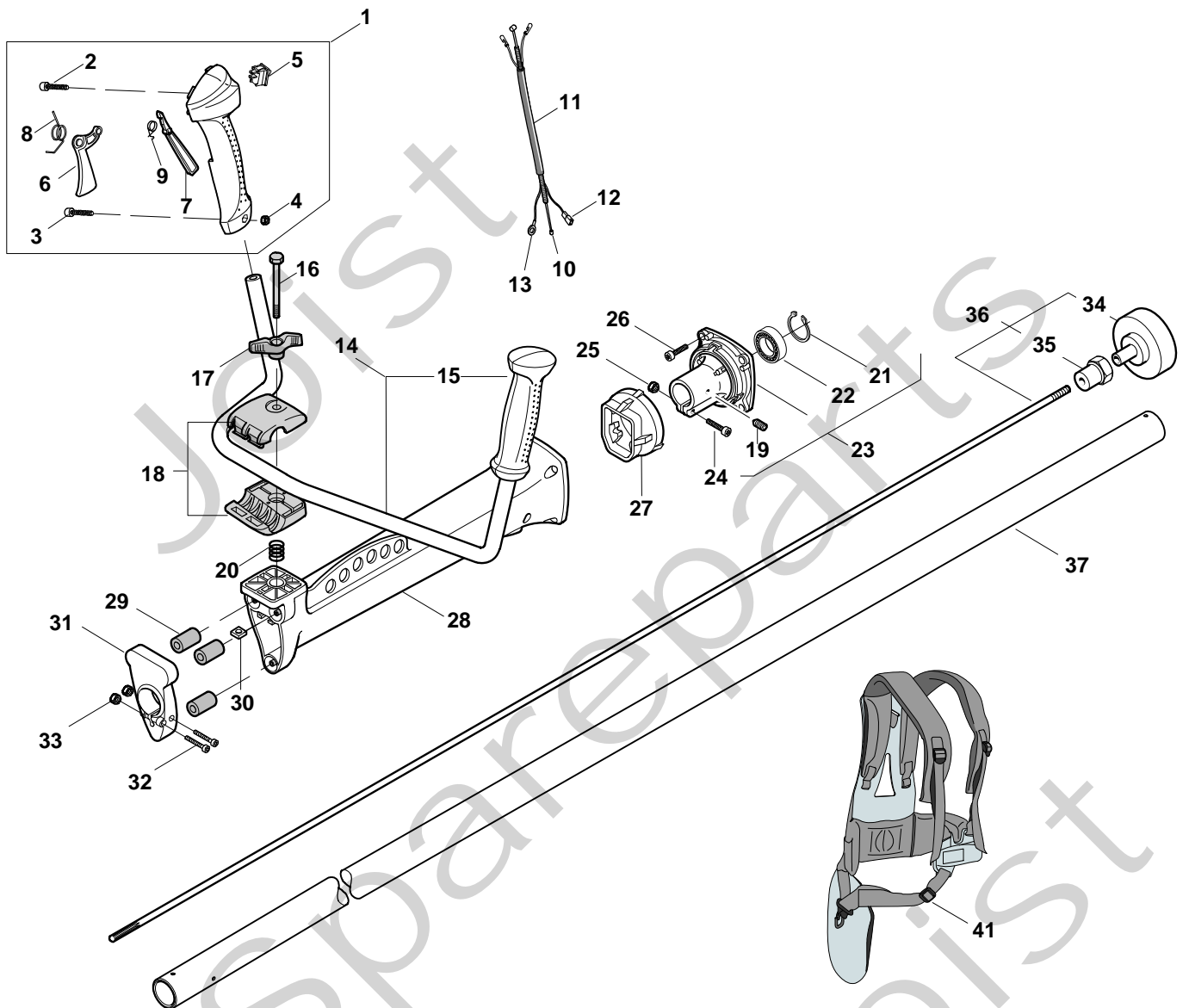
SB 35 DS





SB 35 DS - Model Year 2009

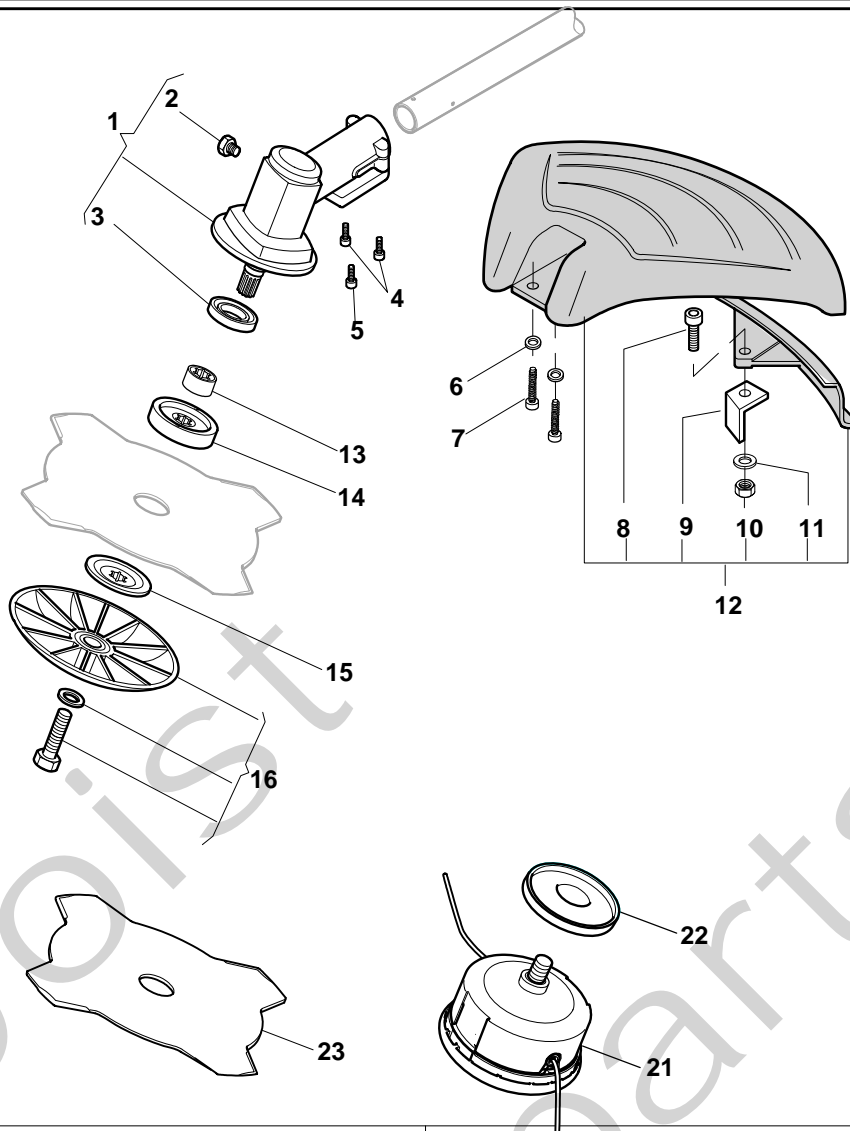
Pos. Fig.	Antal Quantity	Art No Part No	Benämning	Description	Anmärkning Notes
1	1	123071011/0	Cylinder	Cylinder	
2	1	123280050/0	Cylinderkåpa	Cylinder Gasket	
4	1	123109555/0	Kåpa	Cover	
5	1	123109556/0	Kåpa	Cover	
6	2	123280032/0	Packning	Gasket	
7	4	123878054/0	Skruv	Screw	
9	1	323106020/0	Motorlucka	Yellow Cylinder Cover	
10	1	123590005/0	Kolv	Piston	
11	1	123760002/0	Kolvbult	Piston Pin	
12	2	123204006/0	Kolvring	Piston Ring	
13	2	123202003/0	Låsring	Washer, Piston Pin	
14	1	123235004/0	Nållager	Needle Bearing	
15	1	123120005/0	Mutter	Nut	
21	1	123880006/0	Svänghjul	Flywheel	
22	1	123044013/0	Elektronikspole	Electronic Coil	
23	1	323053003/0	Tändstiftshatt	Spark Plug Cover	
24	1	3210024	Tändstift	Spark Plug	
25	1	183065029/0	Jordkabel	Earth Cable	
26	1	123280033/0	Packning	Intake-Carb Gasket	
27	1	123054030/0	Förgasare	Carburettor	
28	1	123220009/0	Luftfilter	Air Filter	
29	1	183090009/0	Luftfilterkåpa	Filter Cover, Yellow	
30	1	123280029/0	Packning	Gasket	
31	1	183740014/0	Ljuddämpare	Muffler	
32	1	183215006/0	Koppling	Clutch Ass.Y	
33	1	183058035/0	Start kpl	Starter Ass.Y	
34	1	123300007/0	Starthandtag	Starter Handle	
35	1	123082003/0	Startkopp	Starter Cup Ass.Y	
36	1	183733006/0	Bränsletank	Fuel Tank Ass.Y	
37	1	183790008/0	Tanklock	Fuel Cap Ass.Y	
38	1	183520004/0	Bränslefilter	Intake Filter	
51	1	123685007/0	Vevhus	Crank Case	
52	1	123685006/0	Vevhus	Crank Case	
53	2	114215216/0	Kullager	Bearing	
54	2	119035160/0	Tätningring	Seal Ring	
55	1	123208411/0	Transm.stödhus	Transm.Support Case	
56	1	123109560/0	Kåpa	Cover	
58	1	323109535/0	Kåpa	Case, Yellow	
59	2	123878061/0	Stud Skruv	Double-Screw Bolt	
60	1	323109544/0	Tändstiftshatt	Yellow Cover, Spark Plug	
61	1	323600057/0	Skydd	Lower Guard, Yellow	
62	1	123020027/0	Vevaxel	Crankshaft	
63	1	123280052/0	Packning	Intake Manif-Gasket	
64	1	123073510/0	Insugningsrör	Intake Manifold	
65	1	123040002/0	Luftfilterstöd	Air Cleaner Base	
66	1	123430587/0	Fjäder	Spring	
67	2	123878060/0	Skruv	Screw	
68	1	123604009/0	Linhjul	Starter Pulley	
69	1	123430590/0	Startfjäder	Spring	
71	1	123275022/0	Gummitätning	Grommet Ass.Y	
72	1	123784006/0	Skydd	Guard	
73	2	123753002/0	Sprint	Pin	
74	1	123072003/0	Vevaxel	Flywheel Key	
75	4	123878066/0	Skruv	Screw	
76	2	123878064/0	Skruv	Screw	
77	4	123878063/0	Skruv	Screw	
78	2	123878065/0	Skruv	Screw	
79	1	123294002/0	Guide	Guide	
80	1	123294003/0	Guide	Guide	





SB 35 DS - Model Year 2009

Pos. Fig.	Antal Quantity	Art No Part No	Benämning	Description	Anmärkning Notes
1	1	383300021/0	Handtag kpl	Handle Ass.Y	
2	1	2123030	Skruv	Screw	
3	1	2135050	Skruv	Screw	
4	1	12154330/0	Mutter	Nut	
5	1	3210970	Brytare	Stop Switch	
6	1	323315083/0	Gasreglage	Throttle Lever	
7	1	323315084/0	Säkerhetsspärr	Safety Lever	
8	1	3654270/1	Fjäder	Spring	
9	1	3654280/1	Fjäder	Spring	
10	1	123066021/0	Gaswire	Wire Ass.Y	
11	1	3786220	Kabelhölje	Wire Sheath	
12	1	123065031/0	Kabel	Coil-Switch Cable (Red)	
13	1	123065032/0	Jordkabel	Earth Cable (Black)	
14	1	383394009/0	Styre	Handle	
15	1	323395053/0	Handtagsgrepp	Left Knob	
16	1	2112580	Skruv	Screw	
17	1	3750480	Vingmutter	Wing Nut	
18	1	8521070	Styrinfästning kpl	Handgrip Support Ass.Y	
19	1	2126050	Skruv	Screw	
20	1	3654530	Fjäder	Spring	
21	1	3353080	Låsring	Seeger Ring	
22	1	3112170	Kullager	Bearing	
23	1	8521000/1	Transmissionsnav	Transmission Hub Ass.Y D.28	
24	1	2135150	Skruv	Screw	
25	1	2432030	Mutter	Nut	
26	4	2135160	Skruv	Screw	
27	1	3L3744330/1	Dämpement	Rear Shock Absorber	
28	1	4563850/2	Transmissionshus	Transmission Housing	
29	3	3744320	Vibrationsdämpare-fra	Front Shock Absorber	
30	1	3615190	Fästplatta	Handle Fixing Plate	
31	1	4563861	Stöd-främre	Front Housing Support D.28	
32	2	2135060	Skruv	Screw	
33	2	12154330/0	Mutter	Nut	
34	1	4121861/1	Kopplingshjul	Clutch	
35	1	3642191	Lagernav	Bearing Hub	
36	1	4251400	Drivaxel kpl	Transmission Shaft	
37	1	4251724	Drivaxelrör	Transmission Pipe Ass.Y D.28	
38	1	323208406/0	Fläns	Flange	
41	1	123046002/0	Sele	Harness	



Pos. Fig.	Antal Quantity	Art No Part No	Benämning	Description	Anmärkning Notes
1	1	4252780/1	Snäckväxel kpl	Gear Case Assy	
2	1	2653460	Skruv	Screw	
3	1	3121170	Tätningring	Oil Seal	
4	2	2135050	Skruv	Screw	
5	1	2653090	Skruv	Screw	
6	2	2312150	Bricka	Washer	
7	2	2135060	Skruv	Screw	
8	1	2135030	Skruv	Screw	
9	1	3615000	Kniv	Line Cutter	
10	1	12154330/0	Mutter	Nut	
11	1	2312150	Bricka	Washer	
12	1	8563570	Stängskydd kpl	Safety Cover Ass.Y (Incl.40-43)	
13	1	3641700/1	Krage	Collar	
14	1	3641640	Ringmutter-övre	Upper Ring Nut	
15	1	3612640	Ringmutter-nedre	Lower Ring Nut	
16	1	4560610	Stabilisator kpl	Stabilizer	
21	1	4353000	Skärhuvud kpl Profi	2 Hedges Nylon Head Profi	
22	1	3614950	Platta	Plate	
23	1	4611880	Röjklinga	4 Teeth Disc 25 Cm	