

# Genuine Spare Parts

www.stiga.com

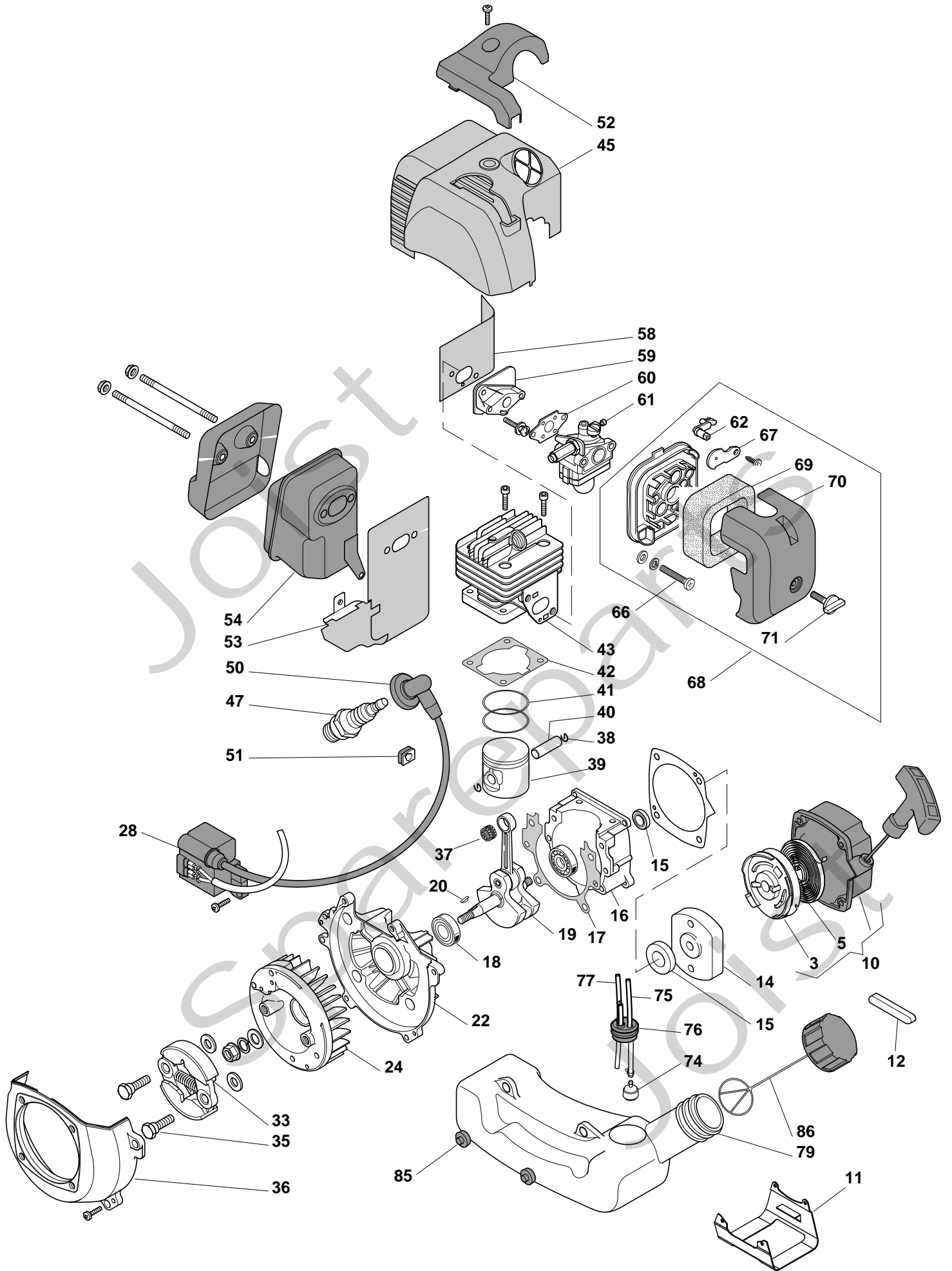
## BJ 335 Model Year 2010

- Use GLOBAL GARDEN PRODUCT Genuine Spare Parts specified in the parts list for repair and/or replacement.
- The contents described in the parts list may change due to improvement.
- The drawings of the spare parts are only indicative and might not represent the part in question exactly.
- The indications "right" - "left" - "front" - "rear" refer to the position of the operator when using the machine.
- When placing orders of parts for repair and/or replacement, make sure that the illustrated parts list is the one applying to the machine's year of manufacture, as shown on the identification plate attached to the machine.

COPYRIGHT by GLOBAL GARDEN PRODUCTS

All rights reserved. No part of this material may be reproduced or transmitted, in any form or by any means, electronic or mechanical, including photocopying, recording or by any information storage and retrieval system, without permission in writing from GLOBAL GARDEN PRODUCTS.

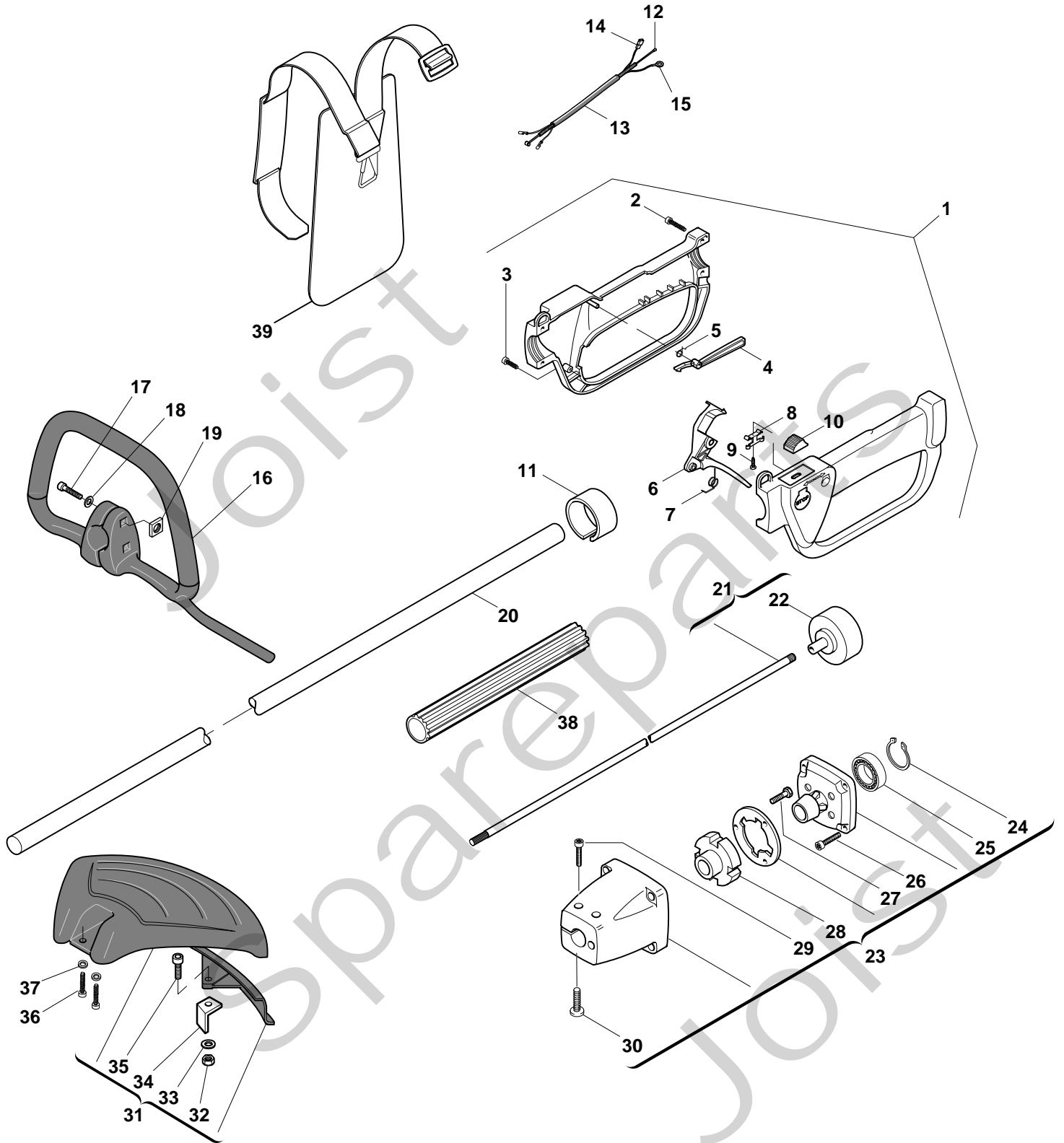






## BJ 335 - Model Year 2010

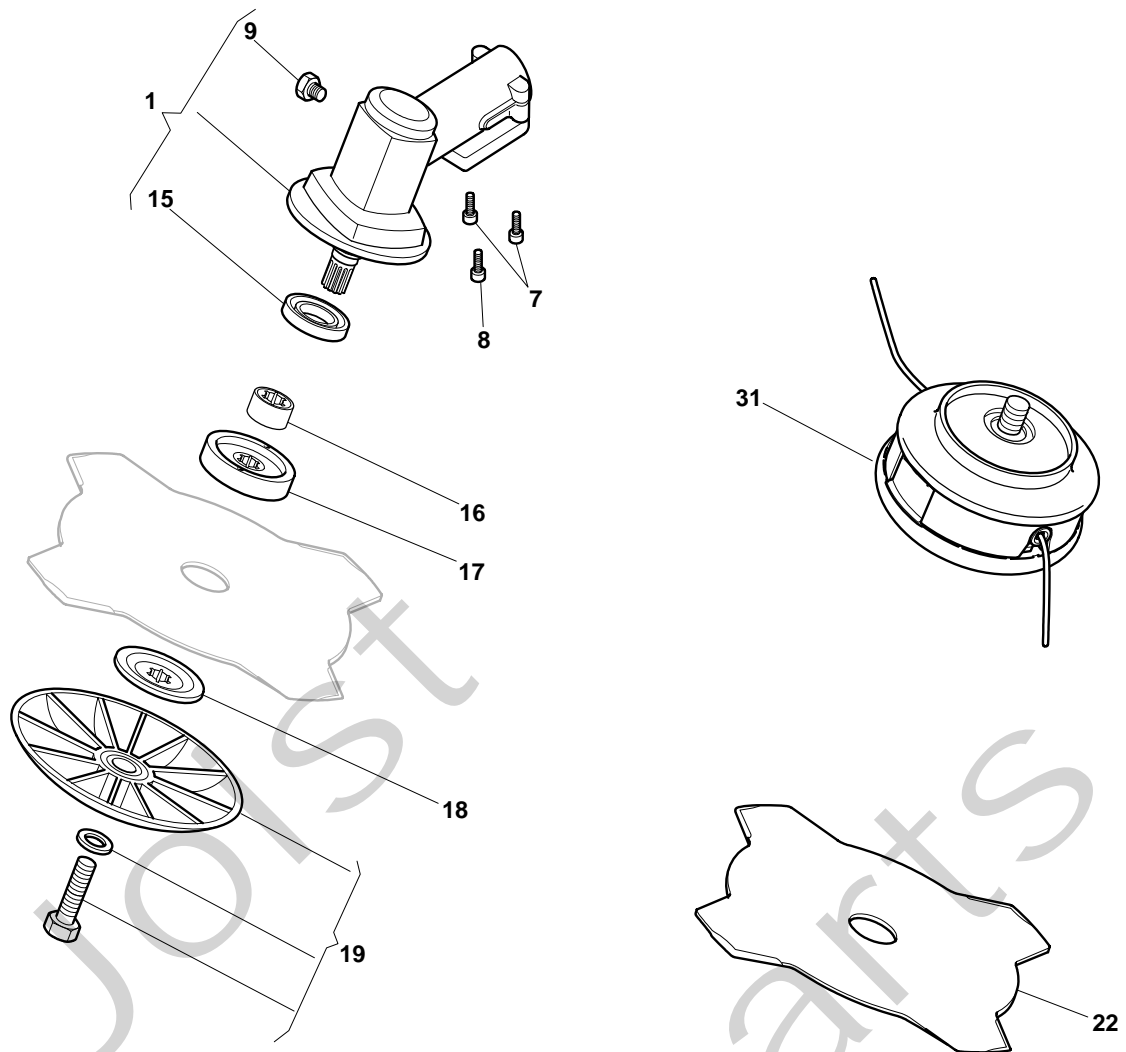
| Pos. Fig. | Antal Quantity | Art No Part No | Benämning       | Description           | Anmärkning Notes |
|-----------|----------------|----------------|-----------------|-----------------------|------------------|
| 3         | 1              | 123604007/0    | Linhjul         | Starter Pulley        |                  |
| 5         | 1              | 123430585/0    | Startfjäder     | Spring                |                  |
| 10        | 1              | 183058041/0    | Start kpl       | Starter Ass.Y         |                  |
| 11        | 1              | 123784010/0    | Platta          | Engine Support        |                  |
| 12        | 1              | 123275034/0    | Gummihylsa      | Grommet               |                  |
| 14        | 1              | 183082004/0    | Startkopp       | Starter Cup Ass.Y     |                  |
| 15        | 2              | 119035159/0    | Tätningring     | Seal Ring             |                  |
| 16        | 1              | 123685026/0    | Vevhus          | Crank Case            |                  |
| 17        | 1              | 123280047/0    | Packning        | Gasket                |                  |
| 18        | 2              | 114215218/0    | Kullager        | Ball Bearing          |                  |
| 19        | 1              | 123020025/0    | Vevaxel         | Crankshaft            |                  |
| 20        | 1              | 123072002/0    | Kil             | Key                   |                  |
| 22        | 1              | 123685027/0    | Vevhus          | Crank Case            |                  |
| 24        | 1              | 123880018/0    | Svånghjul       | Flywheel              |                  |
| 28        | 1              | 123044018/0    | Elektronikspole | Electronic Coil       |                  |
| 32        | 1              | 123430583/0    | Koppling        | Clutch Ass.Y          |                  |
| 35        | 2              | 123878058/0    | Skruv           | Screw                 |                  |
| 36        | 1              | 123208422/0    | Transm.stödhus  | Transm.Support Case   |                  |
| 37        | 1              | 123235007/0    | Nållager        | Needle Bearing        |                  |
| 38        | 2              | 123202009/0    | Låsring         | Circlip               |                  |
| 39        | 1              | 123590008/0    | Kolv            | Piston                |                  |
| 40        | 1              | 123760007/0    | Kolvbult        | Piston Pin            |                  |
| 41        | 2              | 123204010/0    | Kolvring        | Piston Ring           |                  |
| 42        | 1              | 123280045/0    | Cylinderkläpa   | Cylinder Gasket       |                  |
| 43        | 1              | 123071024/0    | Cylinder        | Cylinder              |                  |
| 45        | 1              | 123087025/0    | Cylinderkläpa   | Cylinder Cover Yellow |                  |
| 47        | 1              | 3210024        | Tändstift       | Spark Plug            |                  |
| 50        | 1              | 123053002/0    | Tändstiftshatt  | Spark Plug Cover      |                  |
| 51        | 1              | 123275023/0    | Hylsa           | Grommet               |                  |
| 52        | 1              | 123109552/0    | Tändstiftshatt  | Cover, Spark Plug     |                  |
| 53        | 1              | 123280043/0    | Packning        | Gasket                |                  |
| 54        | 1              | 183740022/0    | Ljuddämpare     | Muffler               |                  |
| 58        | 1              | 123280041/0    | Packning        | Intake Manif-Gasket   |                  |
| 59        | 1              | 123073509/0    | Insugningsrör   | Intake Manifold       |                  |
| 60        | 1              | 123280039/0    | Packning        | Intake-Carb Gasket    |                  |
| 61        | 1              | 123054026/1    | Förgasare       | Carburettor           |                  |
| 62        | 1              | 123315089/0    | Chokearm        | Choke Lever           |                  |
| 66        | 2              | 2132160        | Skruv           | Screw                 |                  |
| 67        | 1              | 123190000/0    | Arm             | Shutter               |                  |
| 68        | 1              | 183220003/0    | Luftfilter      | Air Filter            |                  |
| 69        | 1              | 123220011/0    | Luftfilter      | Air Filter            |                  |
| 70        | 1              | 123090026/0    | Luftfilterlock  | Air Cleaner Cover     |                  |
| 71        | 1              | 123878056/0    | Knopp           | Knob                  |                  |
| 72        | 1              | 123275021/0    | Gummihylsa      | Grommet               |                  |
| 74        | 1              | 183520005/0    | Bränslefilter   | Intake Filter         |                  |
| 75        | 1              | 123867030/0    | Rör             | Tube                  |                  |
| 77        | 1              | 123867031/0    | Rör             | Tube                  |                  |
| 79        | 1              | 123733003/0    | Bränsletank kpl | Kit Fuel Tank         |                  |
| 85        | 2              | 123280060/0    | Gummihylsa      | Grommet               |                  |
| 86        | 1              | 183790009/0    | Tanklock        | Fuel Cap Assy         |                  |





## BJ 335 - Model Year 2010

| Pos. Fig. | Antal Quantity | Art No Part No | Benämning         | Description                     | Anmärkning Notes |
|-----------|----------------|----------------|-------------------|---------------------------------|------------------|
| 1         | 1              | 8562620/1      | Handtag kpl       | Handle Ass.Y (Incl.2-12)        |                  |
| 2         | 4              | 2123030        | Skruv             | Screw                           |                  |
| 4         | 1              | 3743475        | Säkerhetsspärr    | Safety Lever                    |                  |
| 5         | 1              | 3654300        | Fjäder            | Spring                          |                  |
| 6         | 1              | 3743465        | Gasreglage        | Throttle Lever                  |                  |
| 7         | 1              | 3654270/1      | Fjäder            | Spring                          |                  |
| 8         | 1              | 3612710        | Stopplatta        | Stop Plate                      |                  |
| 9         | 1              | 2123070        | Skruv             | Screw                           |                  |
| 10        | 1              | 3749270        | Stoppknapp        | Stop Knob                       |                  |
| 11        | 2              | 3749920        | Reduktion         | Reduction                       |                  |
| 12        | 1              | 4252540        | Gaswire           | Cable, Trottle                  |                  |
| 13        | 1              | 3786030        | Hölje             | Wire Sheath                     |                  |
| 14        | 1              | 123065022/0    | Kabel             | Coil-Switch Cable               |                  |
| 15        | 1              | 3211120        | Jordkabel         | Earth Cable (Black)             |                  |
| 16        | 1              | 23300001/0     | Handtag-främre    | Front Handle                    |                  |
| 17        | 2              | 2135050        | Skruv             | Screw                           |                  |
| 18        | 2              | 2312090        | Bricka            | Washer                          |                  |
| 19        | 2              | 2461030        | Mutter            | Nut                             |                  |
| 20        | 1              | 8251201        | Drivaxelrör       | Trasmission Pipe Ass.Y          |                  |
| 21        | 1              | 4251400        | Drivaxel kpl      | Trasmission Shaft               |                  |
| 22        | 1              | 4121861/1      | Kopplingshjul     | Clutch                          |                  |
| 23        | 1              | 8562960        | Transmissionsstöd | Support Trasm.Assy              |                  |
| 24        | 1              | 3353080        | Låkring           | Seeger Ring                     |                  |
| 25        | 1              | 3112170        | Kullager          | Bearing                         |                  |
| 26        | 4              | 2135160        | Skruv             | Screw                           |                  |
| 27        | 4              | 2123030        | Skruv             | Screw                           |                  |
| 28        | 1              | 3744260        | Hylsa             | Shock Absorber                  |                  |
| 29        | 2              | 2123110        | Skruv             | Screw                           |                  |
| 30        | 1              | 2123100        | Skruv             | Screw                           |                  |
| 31        | 1              | 8563570        | Stänkskydd kpl    | Safety Cover Ass.Y (Incl.40-43) |                  |
| 32        | 1              | 12154330/0     | Mutter            | Nut                             |                  |
| 33        | 1              | 2312150        | Bricka            | Washer                          |                  |
| 34        | 1              | 3615000        | Kniv              | Line Cutter                     |                  |
| 35        | 1              | 2135030        | Skruv             | Screw                           |                  |
| 36        | 2              | 2135060        | Skruv             | Screw                           |                  |
| 37        | 2              | 2312150        | Bricka            | Washer                          |                  |
| 38        | 1              | 23170000/0     | Värmeisolering    | Spacer                          |                  |
| 39        | 1              | 4253460        | Sele              | Harness                         |                  |



| Pos. Fig. | Antal Quantity | Art No Part No | Benämning        | Description         | Anmärkning Notes |
|-----------|----------------|----------------|------------------|---------------------|------------------|
| 1         | 1              | 4252780/1      | Snäckväxel kpl   | Gear Case Assy      |                  |
| 7         | 2              | 2135050        | Skruv            | Screw               |                  |
| 8         | 1              | 2653090        | Skruv            | Screw               |                  |
| 9         | 1              | 2653460        | Skruv            | Screw               |                  |
| 15        | 1              | 3121170        | Tätningring      | Oil Seal            |                  |
| 16        | 1              | 3641700/1      | Krage            | Collar              |                  |
| 17        | 1              | 3641640        | Ringmutter-övre  | Upper Ring Nut      |                  |
| 18        | 1              | 3612640        | Ringmutter-nedre | Lower Ring Nut      |                  |
| 19        | 1              | 4560610        | Stabilisator kpl | Stabilizer          |                  |
| 20        | 1              | 2321230        | Bricka           | Washer              |                  |
| 21        | 1              | 2653170        | Skruv            | Screw               |                  |
| 22        | 1              | 4611880        | Röjklinga        | 4 Teeth Disc 25 Cm  |                  |
| 31        | 1              | 4353240/1      | Skärhuvud kpl    | 2 Hedges Nylon Head |                  |