

Genuine Spare Parts

www.stiga.com

**G6) %8 G
Model Year 2011**

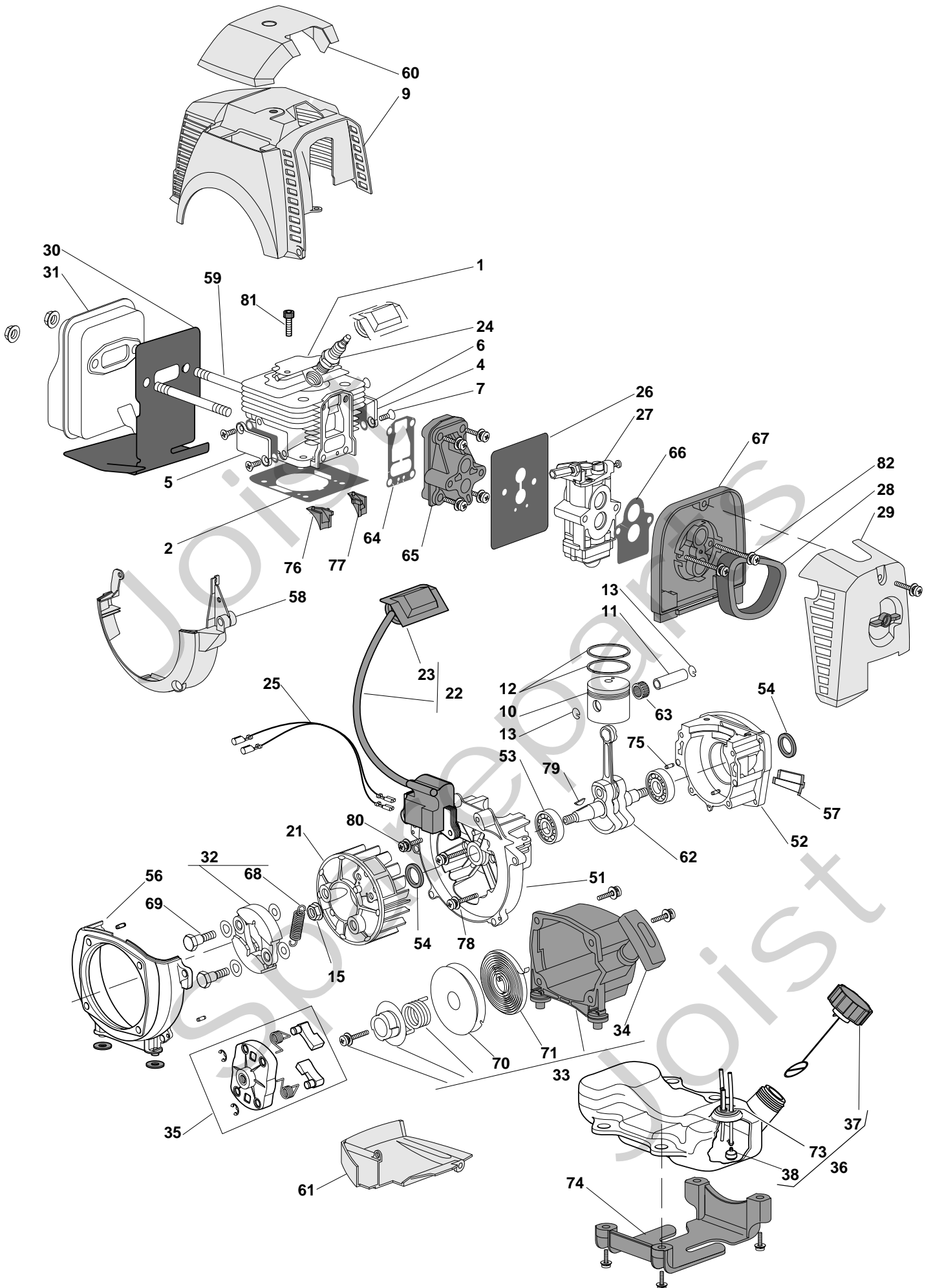
- Use GLOBAL GARDEN PRODUCT Genuine Spare Parts specified in the parts list for repair and/or replacement.
- The contents described in the parts list may change due to improvement.
- The drawings of the spare parts are only indicative and might not represent the part in question exactly.
- The indications "right" - "left" - "front" - "rear" refer to the position of the operator when using the machine.
- When placing orders of parts for repair and/or replacement, make sure that the illustrated parts list is the one applying to the machine's year of manufacture, as shown on the identification plate attached to the machine.

COPYRIGHT by GLOBAL GARDEN PRODUCTS

All rights reserved. No part of this material may be reproduced or transmitted, in any form or by any means, electronic or mechanical, including photocopying, recording or by any information storage and retrieval system, without permission in writing from GLOBAL GARDEN PRODUCTS.

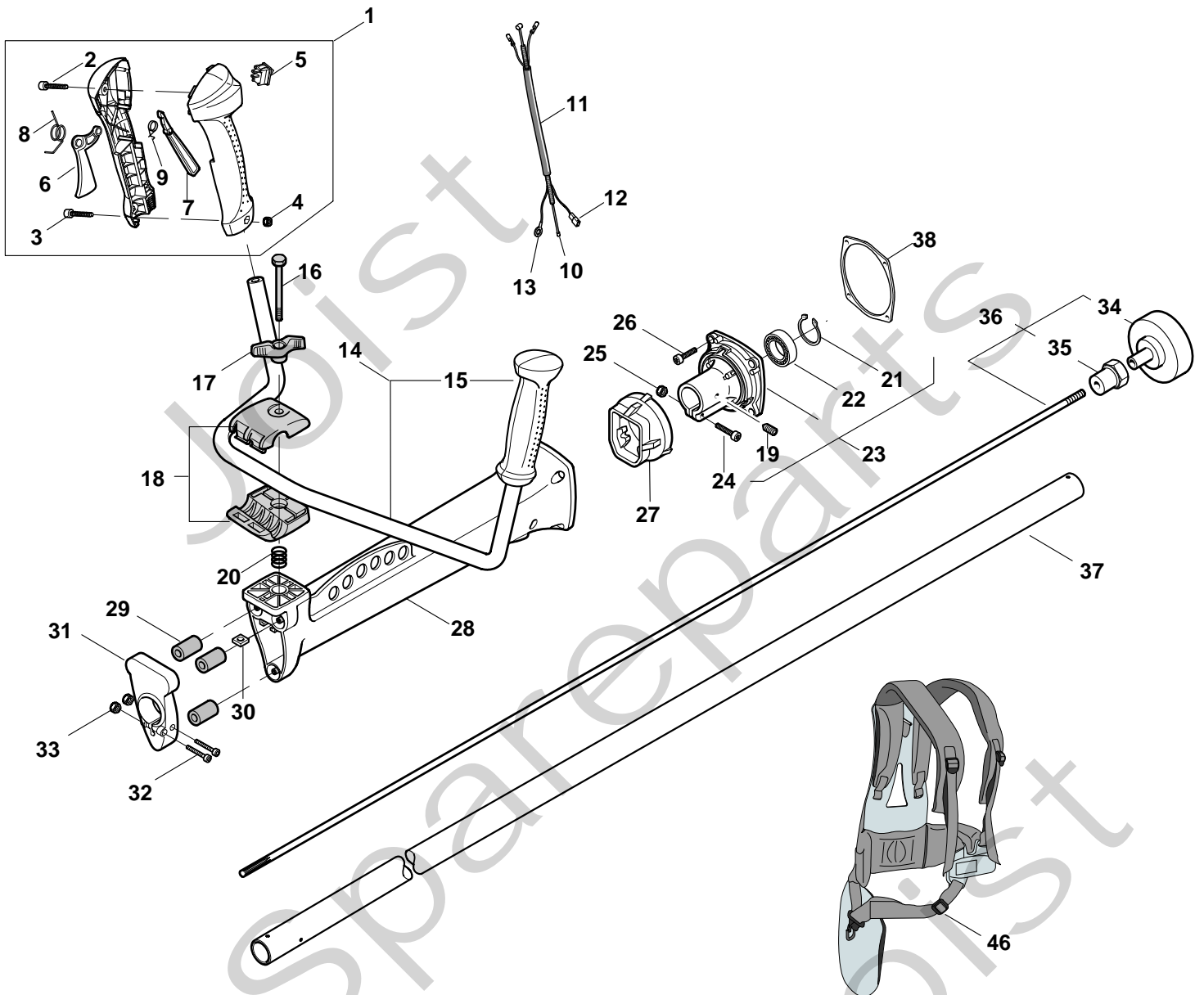
STIGA®

SB 51 DS



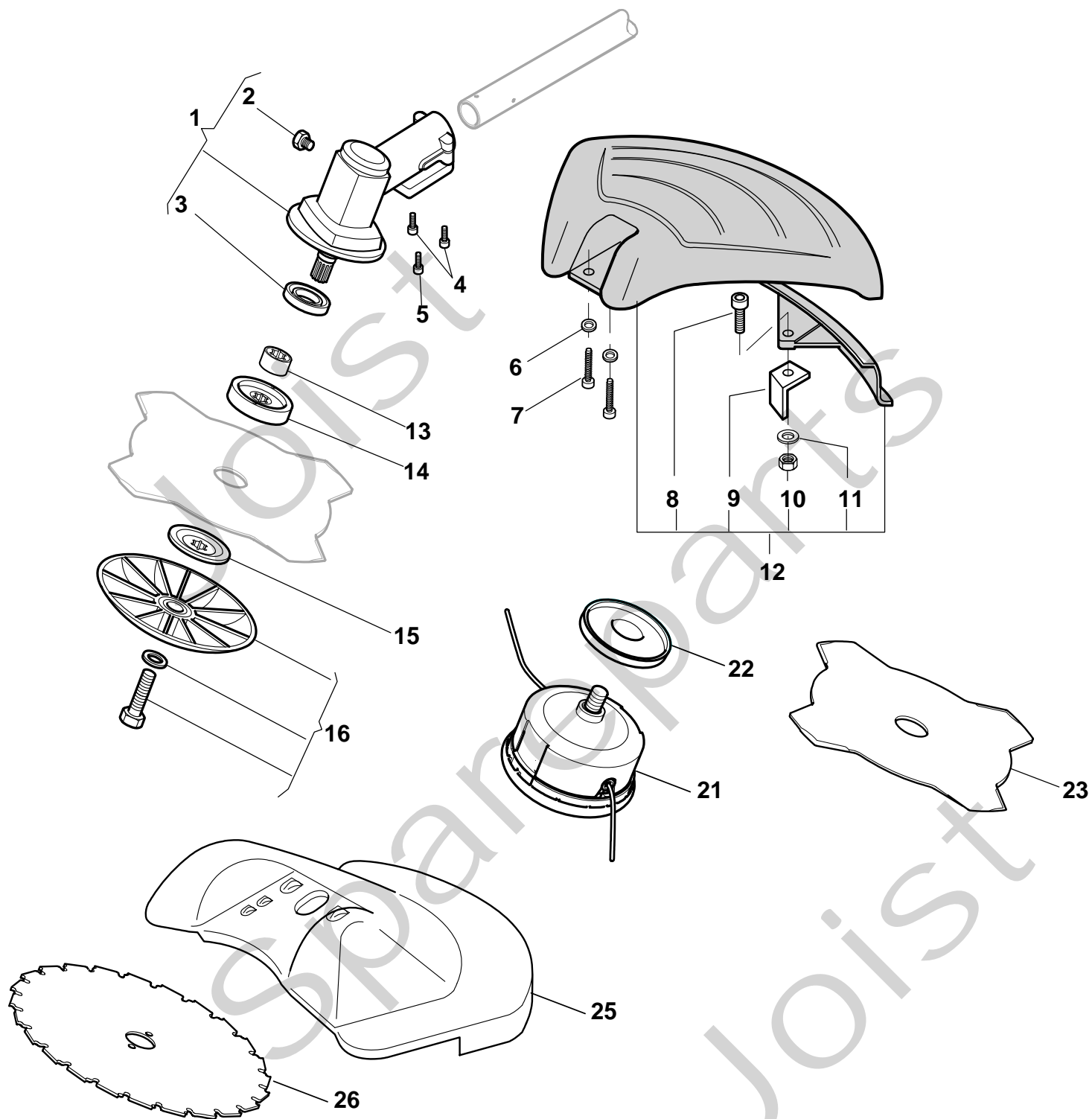


Pos. Fig.	Antal Quantity	Art No Part No	Benämning	Description	Anmärkning Notes
1	1	123071020/0	Cylinder	Cylinder	
2	1	123280051/0	Cylinderkåpa	Cylinder Gasket	
4	1	123109557/0	Kåpa	Cover	
5	1	123109558/0	Kåpa	Cover	
6	2	123280035/0	Tätningarring	Gasket	
7	4	123878054/0	Skruv	Screw	
9	1	323106021/0	Motorlucka	Yellow Cylinder Cover	
10	1	123590011/0	Kolv	Piston	
11	1	123760004/0	Kolvbult	Piston Pin	
12	2	123204013/0	Kolvring	Piston Ring	
13	2	123202004/0	Låsring	Washer, Piston Pin	
15	1	123120005/0	Mutter	Nut	
21	1	123880007/0	Svänghjul	Flywheel	
22	1	123044014/0	Elektron kspole	Electronic Coil	
23	1	323053003/0	Tändstiftshatt	Spark Plug Cover	
24	1	3210024	Tändstift	Spark Plug	
25	1	183065029/0	Jordkabel	Earth Cable	
26	1	123280054/0	Packning	Intake-Carb Gasket	
27	1	123054032/0	Förgasare	Carburettor	
28	1	123220009/0	Luftfilter	Air Filter	
29	1	183090011/0	Luftfilterkåpa	Filter Cover, Yellow	
30	1	123280049/0	Packning	Gasket	
31	1	183740015/0	Ljuddämpare	Muffler	
32	1	183215007/0	Koppling kpl	Clutch Ass.Y	
33	1	183058036/0	Start kpl	Starter Ass.Y	
34	1	123300007/0	Starthandtag	Starter Handle	
35	1	123082004/0	Startkopp	Starter Cup Ass.Y	
36	1	183733007/0	Bränsletank	Fuel Tank Ass.Y	
37	1	183790008/0	Tanklock	Fuel Cap Ass.Y	
38	1	183520004/0	Bränslefilter	Intake Filter	
51	1	123685009/0	Vevhus	Crank Case	
52	1	123685008/0	Vevhus	Crank Case	
53	2	114215217/0	Kullager	Bearing	
54	1	119035160/0	Tätningarring	Seal Ring	
55	1	119035161/0	Tätningarring	Seal Ring	
56	1	123208411/0	Transm.stödhus	Transm.Support Case	
57	1	123109561/0	Kåpa	Cover	
58	1	323109545/0	Kåpa	Case, Yellow	
59	2	123878062/0	Stud Skruv	Double-Screw Bolt	
60	1	323109546/0	Tändstiftshatt	Yellow Cover, Spark Plug	
61	1	323600058/0	Skydd	Lower Guard, Yellow	
62	1	123020028/0	Vevaxel	Crankshaft	
63	1	123235005/0	Nållager	Needle Bearing	
64	1	123280053/0	Packning	Intake Manif-Gasket	
65	1	123073512/0	Insugningsrör	Intake Manifold	
66	1	123280055/0	Tätningarring	Gasket	
67	1	123040001/0	Luftfilterhus	Air Cleaner Base	
68	1	123430588/0	Fjäder	Spring	
69	2	123878060/0	Skruv	Screw	
70	1	123604009/0	Linhjul	Starter Pulley	
71	1	123430590/0	Startfjäder	Spring	
73	1	123275022/0	Gummitätning	Grommet Ass.Y	
74	1	123784007/0	Skydd	Guard	
75	2	123753002/0	Centrerstift	Centring Pin	
76	1	123294004/0	Guide	Guide	
77	1	123294005/0	Guide	Guide	
78	4	123878068/0	Skruv	Screw	
79	1	123072003/0	Vevaxel	Flywheel Key	
80	2	123878064/0	Skruv	Screw	
81	4	123878063/0	Skruv	Screw	
82	2	123878065/0	Skruv	Screw	





Pos. Fig.	Antal Quantity	Art No Part No	Benämning	Description	Anmärkning Notes
1	1	383300021/0	Handtag	Handle Ass.Y (Incl.2-9)	
2	1	2123030	Skruv	Screw	
3	1	2135050	Skruv	Screw	
4	1	12154330/0	Mutter	Nut	
5	1	3210970	Brytare	Stop Switch	
6	1	323315083/0	Gasreglage	Throttle Lever	
7	1	323315084/0	Säkerhetsspärr	Safety Lever	
8	1	3654270/1	Fjäder Arm Gaswire	Spring	
9	1	3654280/1	Fjäder	Spring	
10	1	123066021/0	Gaswire	Wire Ass.Y	
11	1	3786220	Kabelhöje	Wire Sheath	
12	1	123065031/0	Kabel	Coil-Switch Cable (Red)	
13	1	123065032/0	Jordkabel	Earth Cable (Black)	
14	1	383394009/0	Styre	Handle	
15	1	323395053/0	Handtagsgrepp	Left Knob	
16	1	2112580	Skruv	Screw	
17	1	3750480	Vingmutter	Wing Nut	
18	1	8521070	Styrinfästning kpl	Handgrip Support Ass.Y	
19	1	2126050	Skruv	Screw	
20	1	3654530	Fjäder	Spring	
21	1	3353080	Låsring	Ring	
22	1	3112170	Kullager	Bearing	
23	1	8521000/1	Transmissionsnav	Transmission Hub Ass.Y Ø 28	
24	1	2135150	Skruv	Screw	
25	1	2432030	Mutterschraube (Flex)	Nut (Flex)	
26	4	2135160	Skruv	Screw	
27	1	3L3744330/1	Dämpement	Rear Shock Absorber	
28	1	4563850/2	Transmissionshus	Transmission Housing	
29	3	3744320	Vibrationsdämpare-fra	Front Shock Absorber	
30	1	3615190	Plåt	Handle Fixing Plate	
31	1	4563861	Stöd-främre	Front Housing Support Ø 28	
32	2	2135060	Skruv	Screw	
33	2	12154330/0	Mutter	Nut	
34	1	4121861/1	Kopplingshjul	Clutch	
35	1	3642191	Lagernav	Bearing Hub	
36	1	4251400	Transmissionsaxel	Trans.Shaft Assy	
37	1	4251724	Drivaxelrör	Transmission Pipe Ass.Y Ø 28	
38	1	323208406/0	Fläns	Flange	
41	1	123046002/0	Sele	Harness	





SB 51 DS

Pos. Fig.	Antal Quantity	Art No Part No	Benämning	Description	Anmärkning Notes
1	1	4252790/1	Snäckväxel kpl	Gear Case Assy [Ø28]	
2	1	2653460	Skruv	Screw	
3	1	3121170	Tätningring	Oil Seal	
4	2	2135050	Skruv	Screw	
5	1	2653090	Skruv	Screw	
6	2	2312150	Bricka	Washer	
7	2	2135060	Skruv	Screw	
8	1	2135030	Skruv	Screw	
9	1	3615000	Kniv	Line Cutter	
10	1	12154330/0	Mutter	Nut	
11	1	2312150	Bricka	Washer	
12	1	8563570	Stänkskydd kpl	Safety Cover Ass.Y (Incl.40-43)	
13	1	3641700/1	Krage	Collar	
14	1	3641640	Ringmutter-övre	Upper Ring Nut	
15	1	3612640	Ringmutter-nedre	Lower Ring Nut	
16	1	4560610	Stabilisator kpl	Stabilizer	
21	1	3L4353000/1	Skärhuvud kpl	2 Hedges Nylon Head Profi	
22	1	3614950	Platta	Plate	
23	1	4611880	Röjklina	4 Teeth 25 Cm	
25	1	4562847	Hjulskydd	Guard	
26	1	6031185	Röjklina	24 Teeth Disc 25 Cm	