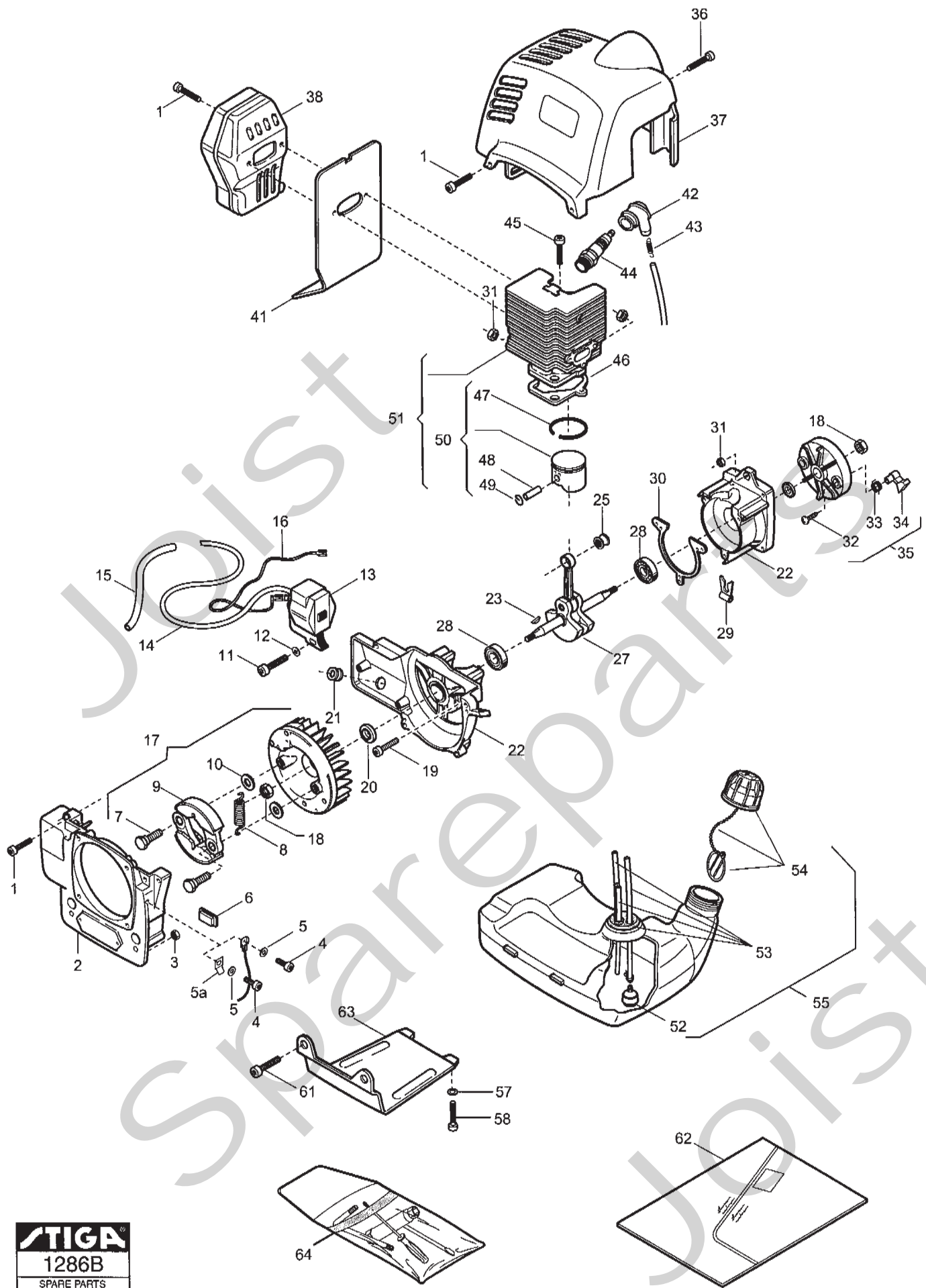


Genuine Spare Parts



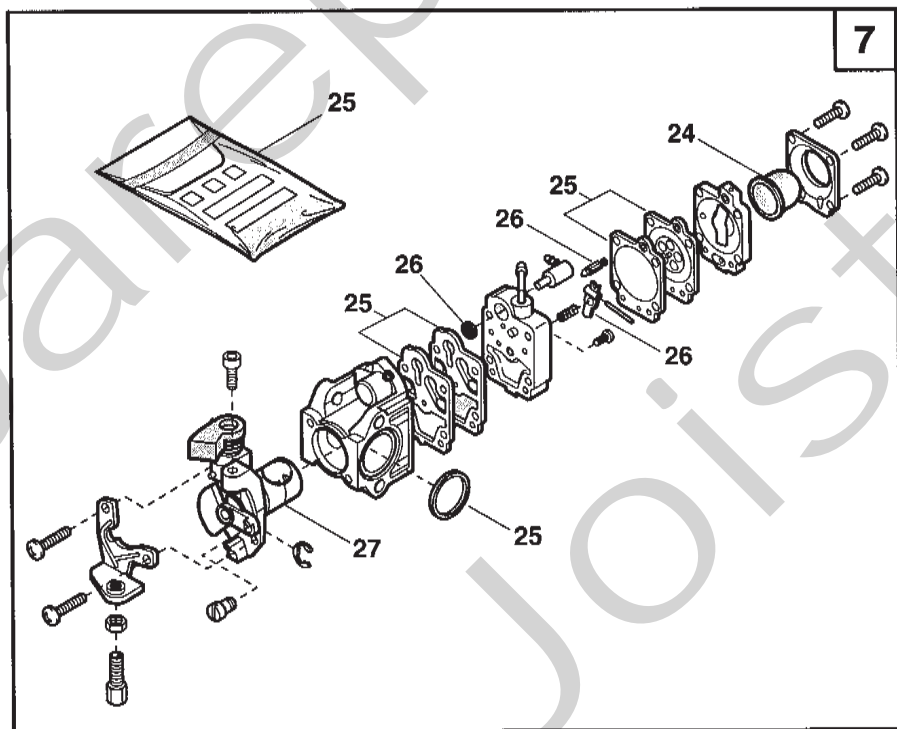
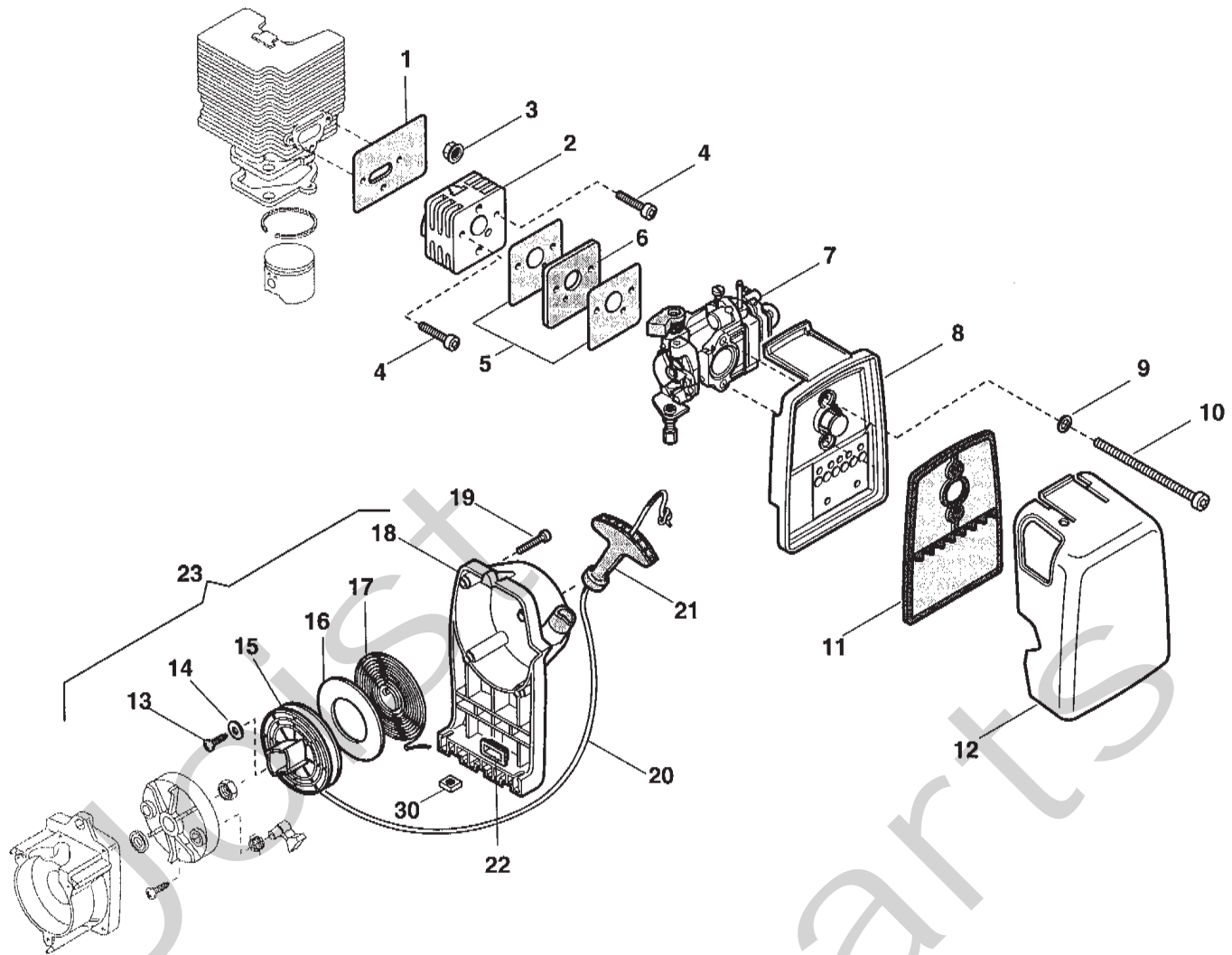
Joist
Spareparts
Joist



STIGA
1286B
 SPARE PARTS

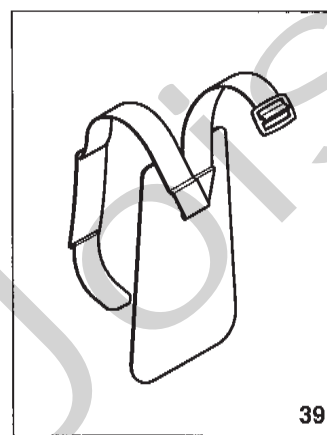
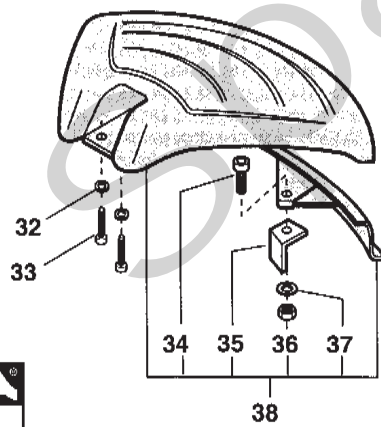
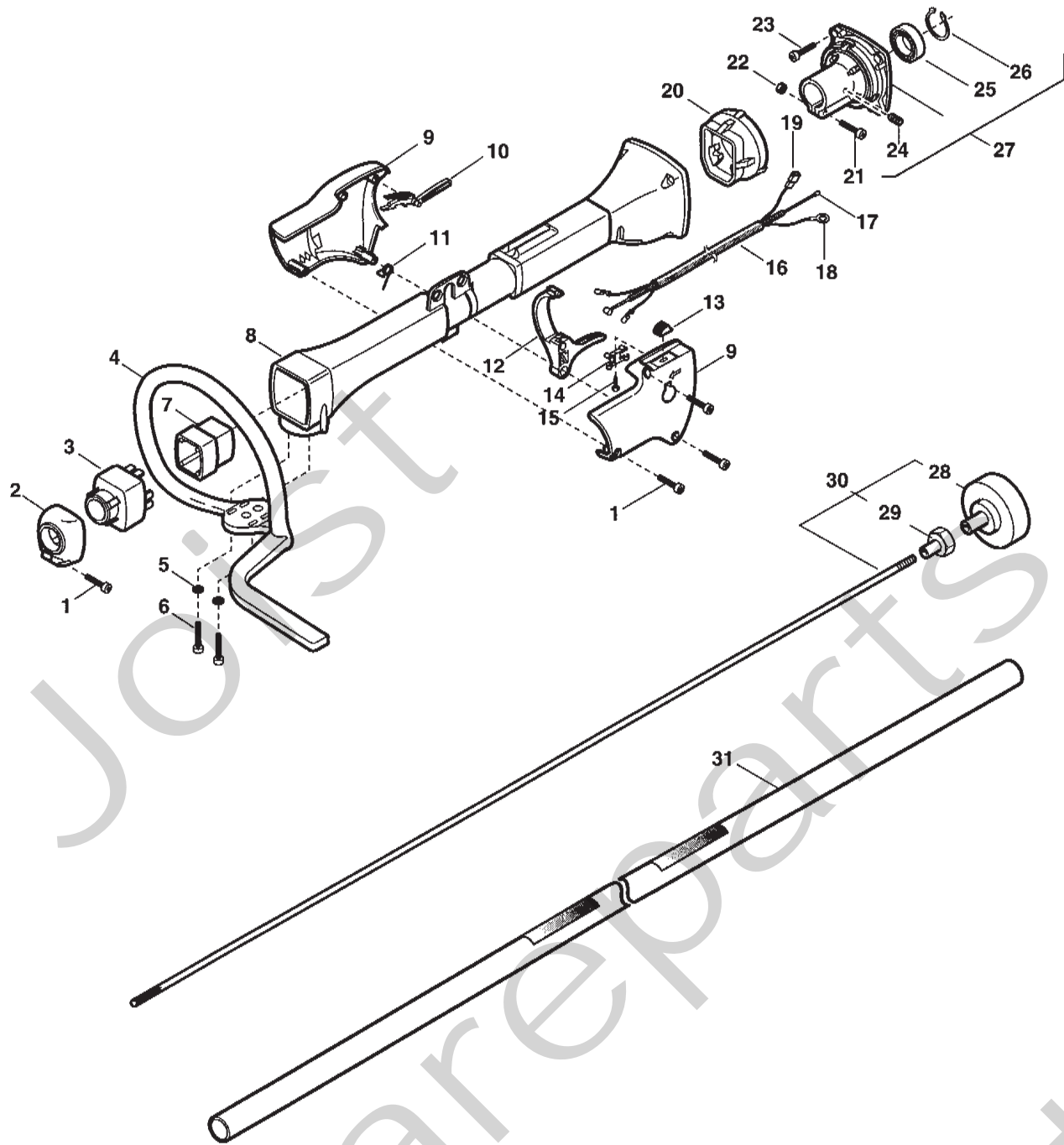
Utgåva Issue		Bildnr Picture No		SB 39- SB 40 RÖJARE MOTOR		SB 39- SB 40 BRUSH CUTTER ENGINE		Sida Page	
2005- 12		1286B						286	
Pos. Fig.	Antal/Quantity			Art nr Part No	Benämning	Description	Sats Kit	Anmärkning Notes	
	6118 4629								
1	12			1911-3007-01	Skruv	Screw			
2	1			1911-3730-01	Transm.stödhus.....	Transm.support case.....			
3	2			1911-3021-01	Mutter.....	Nut			
4	1			1911-3005-01	Skruv	Screw			
5	1			1911-3016-01	Bricka	Washer.....			
5A	1			1911-3874-01	Flatsstiftskontakt	Connector			
6	4			1911-3117-01	Gummikudde	Grommet.....			
7	2			1911-3027-01	• Skruv	• Screw			
8	1			1911-3086-01	Fjäder.....	Spring			
9	2			1911-3094-01	• Koppling	• Clutch unit.....			
10	2			1911-3018-01	• Bricka	• Washer.....			
11	2			1911-3009-01	Skruv	Screw			
12	2			1911-3017-01	Bricka	Washer.....			
13	1			1911-3668-01	Elektronikspole	Electronic coil			
14	1			1911-3055-01	Tändstiftskabel	Spark plug cable			
15	1			1911-4248-01	Kabelhölje	Wire sheath			
16	1			1911-3673-01	Jordkabel	Earth cable			
17	1			1911-3141-01	Svänghjul kpl.....	Flywheel assy		Inkl. pos 7, 9, 10	
18	2			1911-3030-01	Mutter.....	Nut			
19	3			1911-3008-01	Skruv	Screw			
20	2			1911-3043-01	Tätningring	Seal ring.....			
21	1			1911-3116-01	Gummihylsa	Grommet.....			
22	1			1911-3190-01	Vevhus kpl	Crankcase assy			
23	1			1911-3048-01	Svänghjulskil	Flywheel key.....			
25	1			1911-3042-01	• Nällager	• Needle bearing			
27	1			1911-3819-01	Vevaxel kpl	Crankshaft assy.....		Inkl. pos 25	
28	2			1911-3039-01	Kullager	Ball bearing			
29	1			1911-3121-01	Kabelhållare.....	Cable guide			
30	1			1911-3097-01	• Packning.....	• Gasket.....			
31	5			1911-3022-01	Mutter.....	Nut			
32	3			1911-3002-01	• Skruv	• Screw			
33	2			1911-3087-01	• Fjäder.....	• Spring			
34	2			1911-3118-01	• Startspärr	• Starter hook			
35	1			1911-3822-01	Startkopp kpl.....	Starter cup assy		Inkl. pos 32 - 34	
36	1			1911-3013-01	Skruv	Screw			
37	1			1911-3169-01	Cylinderkäpa	Cylinder cover			
38	1			1911-3135-01	Ljuddämpare	Muffler			
41	1			1911-3103-01	• Ljuddämparpackning	• Muffler gasket			
42	1			1911-3113-01	Tändstiftshylsa	Spark plug cover			
43	1			1911-3093-01	Tändstiftsfjäder.....	Spark plug spring.....			
44	1			9400-0258-00	Tändstift	Spark plug.....		Champion CJ7Y	
45	2			1911-3011-01	Skruv	Screw			
46	1			1911-3101-01	• Cylinderpackning	• Cylinder gasket.....			
47	1			1911-3047-01	•• Kolvring	•• Piston ring.....			
48	1			1911-3051-01	•• Kolvbult	•• Piston pin.....			
49	2			1911-3069-01	•• Låsring	•• Lock ring			
50	1			1911-3198-01	• Kolv kpl.....	• Piston assy.....		Inkl. pos 47 - 49	
51	1			1911-3197-01	Cylinder kpl m.kolv	Cylinder assy w.pisto		Inkl. pos 50	
52	1			1911-3150-01	• Bränslefilter	• Intake filter.....			
53	1			1911-3208-01	• Slangtätning kpl.....	• Hose grommet assy.....			
54	1			1911-3207-01	• Tanklock	• Fuel cap.....			
55	1			1911-3145-01	Bränsletank kpl.....	Fuel tank assy		Inkl. pos 52 - 54	
57	2			1911-3274-01	Bricka	Washer.....			
58	2			1911-3260-01	Skruv	Screw			
61	2			1911-3655-01	Skruv	Screw			
62	1			1911-3205-01	Packningssats	Gasket set		Inkl. pos 30, 41, 46	
63	1			1911-3742-01	Fläns	Flange			
64	1			1911-3723-01	Påse m.verktyg	Bag w.tools			

X



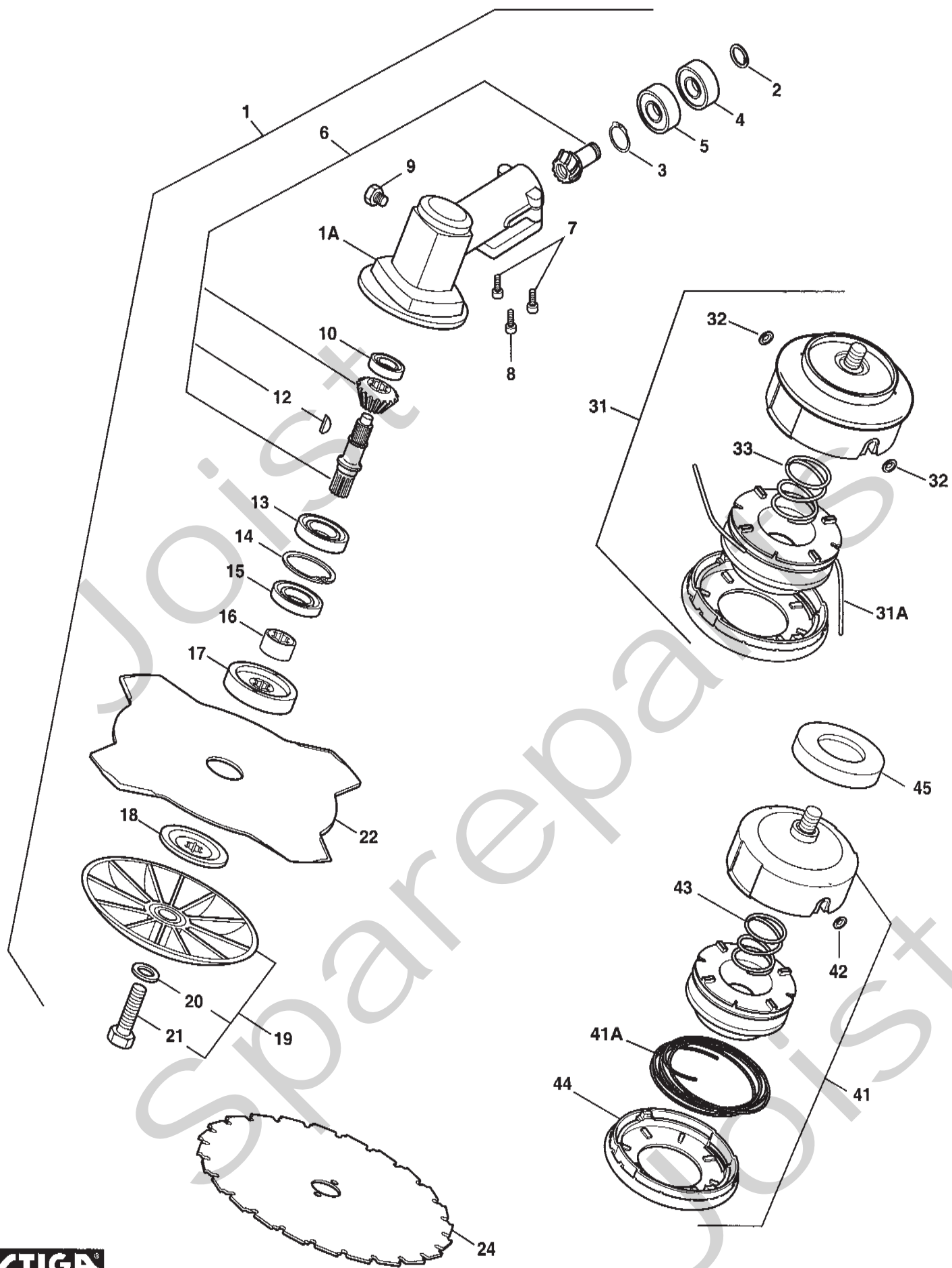
Utgåva Issue 2005-12		Bildnr Picture No 1287A		SB 39- SB 40 RÖJARE FÖRGASARE		SB 39- SB 40 BRUSH CUTTER CARBURETTOR		Sida Page 288	
Pos. Fig.	Antal/Quantity			Art nr Part No	Benämning	Description	Sats Kit	Anmärkning Notes	
	6118 4629								
1	1			1911-3104-01	Packning.....	Gasket.....			
2	1			1911-3122-01	Insugningsrör.....	Intake manifold.....			
3	2			1911-3031-01	Mutter.....	Nut.....			
4	2			1911-3008-01	Skruv.....	Screw.....			
5	2			1911-3107-01	Packning.....	Gasket.....			
6	1			1911-3132-01	Värmedistans.....	Heat block.....			
7	1			1911-4256-01	Förgasare kpl.....	Carburettor assy.....		WYJ317	
8	1			1911-3210-01	Luftfilterfäste.....	Air filter holder.....			
9	2			1911-3015-01	Bricka.....	Washer.....			
10	2			1911-3014-01	Skruv.....	Screw.....			
11	1			1911-3126-01	Luftfilter.....	Air filter.....			
12	1			1911-3170-01	Luftfilterkåpa.....	Air filter cover.....			
13	1			1911-3002-01	• Skruv.....	• Screw.....			
14	1			1911-3071-01	• Bricka.....	• Washer.....			
15	1			1911-3164-01	• Linhjul.....	• Starter pulley.....			
16	1			1911-3096-01	• Skiva.....	• Disc.....			
17	1			1911-3176-01	• Startfjäder.....	• Starter spring.....			
18	1			1911-3202-01	• Starthus.....	• Starter recoil case.....			
19	4			1911-3007-01	• Skruv.....	• Screw.....			
20	1			1911-3130-01	• Startsnöre.....	• Starter cord.....			
21	1			1911-3479-01	• Starthandtag.....	• Starter handle.....			
22	4			1911-3117-01	• Gummikudde.....	• Grommet.....			
23	1			1911-3148-01	Start kpl.....	Starter assy.....		Inkl. pos 13 - 22	
24	1			1911-3115-01	Primer.....	Primer bulb.....			
25	1			1911-3157-01	Packning- membransats.....	Gasket- diaphragm set.....			
26	1			1911-3158-01	Reparationssats.....	Repair set.....			
27	1			1911-3728-01	Ventil.....	Floating valve.....			
30	2			1911-3023-01	Mutter.....	Nut.....			

X



STIGA
1970
SPARE PARTS

Utgåva Issue		Bildnr Picture No		SB 39- SB 43 RÖJARE RIGG		SB 39- SB 43 BRUSH CUTTER DRIVE SHAFT		Sida Page	
2005- 12		1970						280	
Pos. Fig.	Antal/Quantity			Art nr Part No	Benämning	Description	Sats Kit	Anmärkning Notes	
	6118	6113							
1	4			1911-3001-01	Skruv	Screw			
2	1			1911-4006-01	Stöd- fram	Housing support- front.....			
3	1			1911-4004-01	Vibrationsdämpare- fra	Shock absorber- front			
4	1			1911-4009-01	Handtag- fram.....	Handle- front			
5	2			1911-3216-01	Bricka	Washer.....			
6	2			1911-3251-01	Skruv	Screw			
7	1			1911-4007-01	Distans	Step- down spacer			
8	1			1911-4008-01	Transmissionshus	Transmission housing			
9	1			1911-4010-01	Handtagshus	Handgrip housing			
10	1			1911-4003-01	Säkerhetsspärr	Safety lever			
11	1			1911-4001-01	Fjäder.....	Spring			
12	1			1911-4002-01	Gasreglage.....	Throttle lever.....			
13	1			1911-3699-01	Stoppknapp	Stop knob			
14	1			1911-3681-01	Stopplatta	Stop plate.....			
15	1			1911-3656-01	Skruv	Screw			
16	1			1911-3999-01	Kabelhölje.....	Wire sheath			
X 17	1			1911-4251-01	Gaswire	Throttle cable			
18	1			1911-3669-01	Jordkabel.....	Earth cable			
X 19	1			1911-4238-01	Kabel	Coil- switch cable			
20	1			1911-4005-01	Vibrationsdämpare- bak.....	Shock absorber- rear.....			
21	1			1911-3011-01	Skruv	Screw			
22	1			1911-3021-01	Mutter	Nut			
23	4			1911-3012-01	Skruv	Screw			
24	1			1911-3658-01	• Skruv	• Screw			
25	1			1911-3035-01	• Kullager	• Ball bearing			
26	1			1911-3066-01	• Låsring	• Lock ring			
27	1			1911-3188-01	Transmissionsnav kpl	Transmission hub assy		Inkl. pos 24 - 26	
28	1			1911-3134-01	• Kopplingstrumma	• Clutch.....			
29	1			1911-3083-01	• Lagernav.....	• Bearing hub.....			
30	1			1911-3140-01	Drivaxel kpl.....	Transm. shaft assy		Inkl. pos 28 - 29	
31	1			1911-3139-01	Drivaxelrör.....	Transmission pipe			
32	2			1911-3216-01	Bricka	Washer.....			
33	2			1911-3009-01	Skruv	Screw			
34	1			1911-3006-01	• Skruv	• Screw			
35	1			1911-3077-01	• Kniv	• Line cutter			
36	1			1911-3022-01	• Mutter	• Nut			
37	1			1911-3216-01	• Bricka	• Washer			
38	1			1911-3201-01	Säkerhetsskydd kpl.....	Safety cover assy		Inkl. pos 34 - 37	
39	1			1911-3724-01	Sele	Harness.....			
99	1			1911-3212-01	Skyddsglasögon	Protective goggles		Ej ill/not ill.	



Utgåva Issue		Bildnr Picture No		SB 39- SB 40- SB 43 SB 44- SB 52 PRO RÖJARE SNÄCKVÄXEL		SB 39- SB 40- SB 43 SB 44- SB 52 PRO BRUSH CUTTER GEAR CASE		Sida Page	
2005- 12		1285C						284	
Pos. Fig.	Antal/Quantity			Art nr Part No	Benämning	Description	Sats Kit	Anmärkning Notes	
	6118 4629 6113	6115 4630							
1	1			1911-3137-01	Snäckväxel kpl.....	Gear case assy.....		Inkl. pos 2 - 21	
1		1		1911-3138-01	Snäckväxel kpl.....	Gear case assy.....		Inkl. pos 2 - 21	
1A	1			1911-3161-01	Snäckväxelhus.....	Gear case.....			
1A		1		1911-3162-01	Snäckväxelhus.....	Gear case.....			
2	1	1		1911-3067-01	• Låsring.....	• Lock ring.....			
3	1	1		1911-3065-01	• Låsring.....	• Lock ring.....			
4	1	1		1911-3037-01	• Kullager.....	• Ball bearing.....			
5	1	1		1911-3036-01	• Kullager.....	• Ball bearing.....			
6	1			1911-3182-01	• Snäckdrev.....	• Worm gear.....			
6		1		1911-3183-01	• Snäckdrev.....	• Worm gear.....			
7	2	2		1911-3008-01	• Skruv.....	• Screw.....			
8	1	1		1911-3025-01	• Skruv.....	• Screw.....			
9	1	1		1911-3029-01	• Skruv.....	• Screw.....			
10	1	1		1911-3038-01	• Kullager.....	• Ball bearing.....			
12	1	1		1911-3049-01	• Kil.....	• Key.....			
13	1	1		1911-3034-01	• Kullager.....	• Ball bearing.....			
14	1	1		1911-3066-01	• Låsring.....	• Lock ring.....			
15	1	1		1911-3045-01	• Tätningarring.....	• Oil seal.....			
16	1	1		1911-3082-01	• Hylsa.....	• Collar.....			
17	1	1		1911-3081-01	• Ringmutter- övre.....	• Ring nut- upper.....			
18	1	1		1911-3070-01	• Ringmutter- nedre.....	• Ring nut- lower.....			
19	1	1		1911-3163-01	• Skål kpl (fast).....	• Bowl assy (fixed).....		Inkl. pos 20 - 21	
20	1	1		1911-3018-01	• Bricka.....	• Washer.....			
21	1	1		1911-3026-01	• Skruv (vå- gängad).....	• Screw (LH- thread).....			
22	1	1		1911-3179-01	Röjklina.....	Clearing blade.....		4T - Ø 255 mm	
22A	1	1		1911-3850-01	Klingskydd.....	Blade guard.....		Ej ill/not ill.	
24	1	1		1911-3921-01	Sågklinga.....	Saw blade.....		24T - Ø 255 mm	
31	1	1		1911-3877-01	Skärhuvud kpl.....	Cutterhead assy.....		Inkl. pos 32 - 33	
31A	1	1		1911-9008-04	Skärtråd (2.4 mm).....	Cutting line (2.4 mm).....		0.45 kg (90 m)	
31A	1	1		1911-9008-08	Skärtråd (2.4 mm).....	Cutting line (2.4 mm).....		15 m	
32	2	2		1911-3875-01	• Trådhylsa.....	• Line inlet.....			
33	1	1		1911-3876-01	• Fjäder.....	• Spring.....			
41		1		1911-3154-01	Skärhuvud kpl (Profi).....	Nylon head (Profi).....		Inkl. pos 42 - 44	
41A		1		1911-9008-04	Skärtråd (2.4 mm).....	Cutting line (2.4 mm).....		0.45 kg (90 m)	
41A		1		1911-9008-08	Skärtråd (2.4 mm).....	Cutting line (2.4 mm).....		15 m	
42		2		1911-3085-01	• Bussning.....	• Bushing.....			
43		1		1911-3213-01	• Fjäder.....	• Spring.....			
44		1		1911-3215-01	• Lock.....	• Cover.....			
45		1		1911-3076-01	Kopp.....	Cup.....			
99	1	1		1911-3853-01	Fettub.....	Grease tube.....		Ej ill/not ill.	