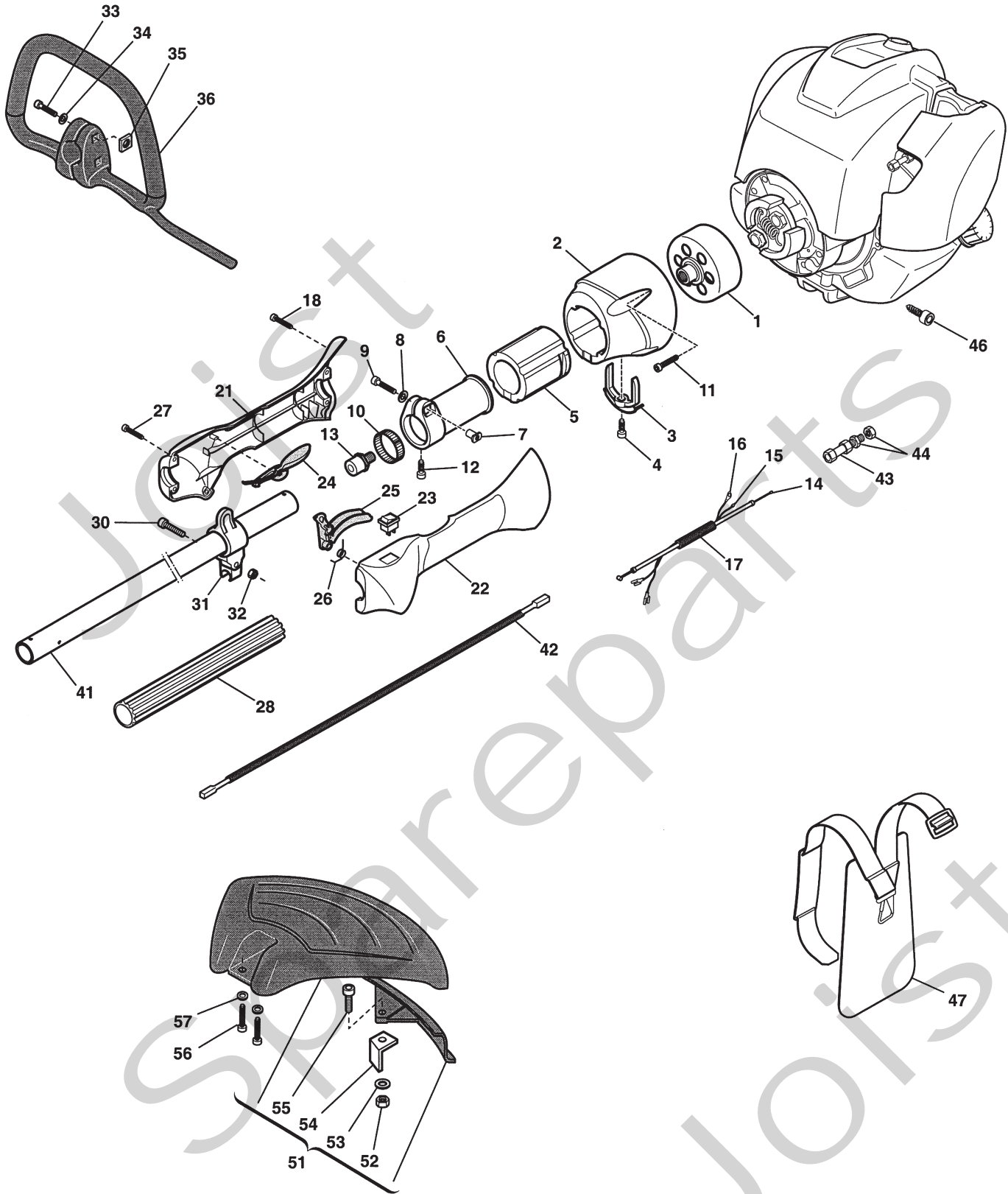


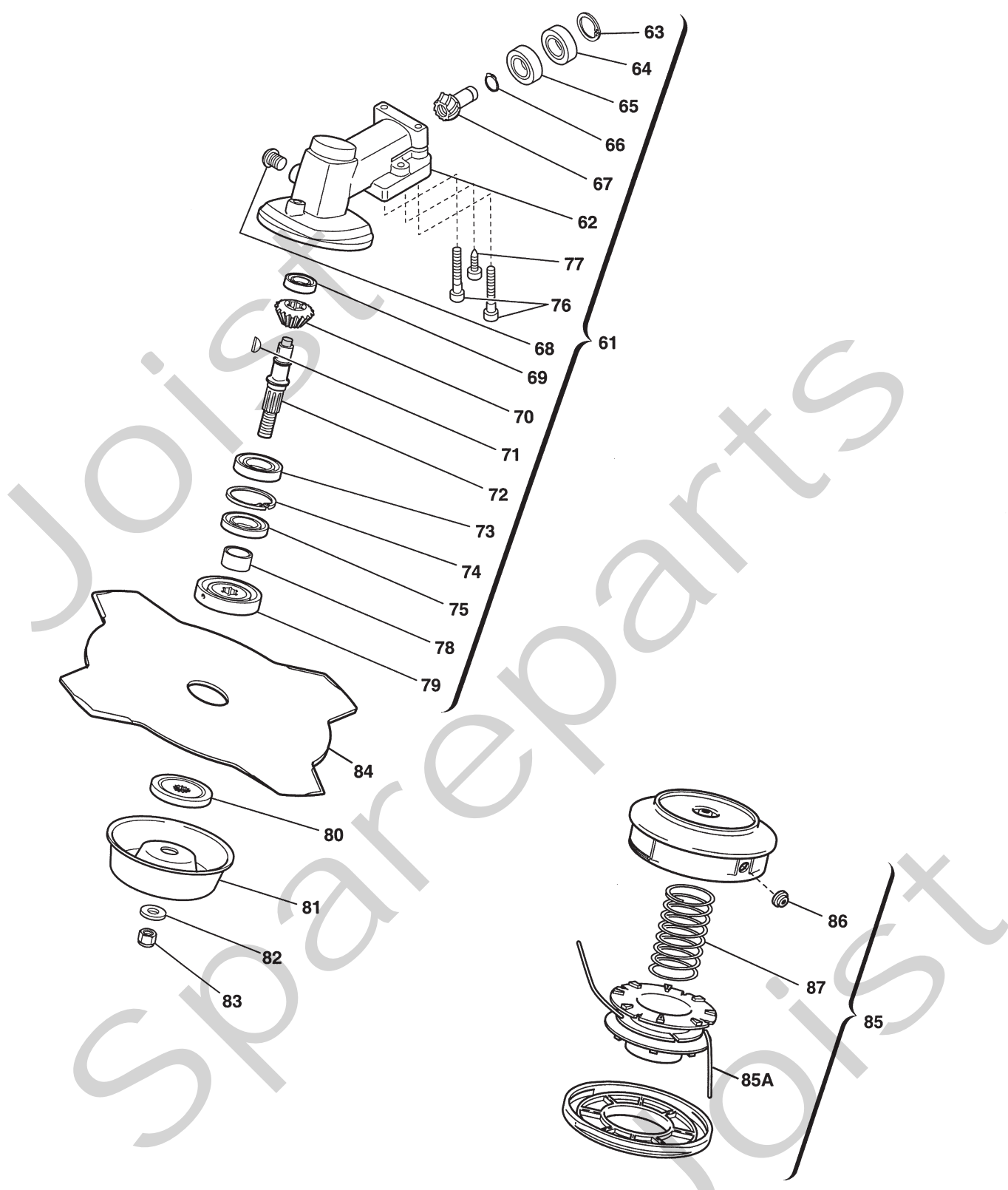
Genuine Spare Parts



Joist
Spareparts
Joist



Utgåva Issue		Bildnr Picture No		SB 425 MB 425 RÖJARE RIGG		SB 425 MB 425 BRUSH CUTTER DRIVE SHAFT		Sida Page	
2005- 12		1971						296	
Pos. Fig.	Antal/Quantity			Art nr Part No	Benämning	Description	Sats Kit	Anmärkning Notes	
	4403	MB 425							
X	1	1	1	1911-4206-01	Kopplingstrumma.....	Clutch drum			
X	2	1	1	1911-4189-01	Transmissionsstöd	Transmission support			
X	3	1	1	1911-4154-01	Gaffel.....	Fork.....			
	4	1	1	1911-3002-01	Skruv.....	Screw.....			
X	5	1	1	1911-4155-01	Hylsa	Grommet.....			
X	6	1	1	1911-4188-01	Stöd.....	Support.....			
X	7	1	1	1911-4245-01	Bussning	Bushing.....			
	8	1	1	1911-3267-01	Bricka	Washer.....			
	9	1	1	1911-3007-01	Skruv	Screw.....			
X	10	1	1	1911-4236-01	Reducering	Reduction.....			
	11	4	4	1911-3011-01	Skruv	Screw.....			
	12	1	1	1911-3002-01	Skruv	Screw.....			
X	13	1	1	1911-4176-01	Lagernav.....	Bearing hub.....			
X	14	1	1	1911-4134-01	Gaswire	Throttle wire.....			
X	15	1	1	1911-4127-01	Kabel	Cable.....			
X	16	1	1	1911-4130-01	Jordkabel.....	Ground cable.....			
X	17	1	1	1911-4164-01	Kabelhölje.....	Wire sheath.....			
	18	1	1	1911-3002-01	Skruv	Screw.....			
X	21	1	1	1911-4184-01	Handtag- hö.....	Handgrip- RH.....			
X	22	1	1	1911-4185-01	Handtag- vä.....	Handgrip- LH.....			
	23	1	1	1911-3053-01	Stoppkontakt	Stop switch			
X	24	1	1	1911-4170-01	Säkerhetsspärr	Safety lever			
X	25	1	1	1911-4169-01	Gasreglage.....	Throttle lever.....			
X	26	1	1	1911-4173-01	Fjäder.....	Spring			
	27	4	4	1911-3001-01	Skruv	Screw.....			
X	28	1	1	1911-4152-01	Värmeisolering	Heat insulator.....			
	30	1	1	1911-3007-01	Skruv	Screw.....			
X	31	1	1	1911-4187-01	Fäste- sele.....	Harness support			
	32	1	1	1911-3278-01	Mutter.....	Nut.....			
	33	2	2	1911-3008-01	Skruv	Screw.....			
	34	2	2	1911-3015-01	Bricka	Washer.....			
	35	2	2	1911-3023-01	Mutter.....	Nut.....			
X	36	1	1	1911-4166-01	Handtag- främre.....	Handle- front.....			
X	41	1	1	1911-4253-01	Transmissionsrör.....	Transmission tube.....			
X	42	1	1	1911-4258-01	Transmissionsaxel.....	Transmission shaft.....			
	43	1	1	1911-3998-01	Wirejustering	Throttle cable adjust.....			
	44	2	2	1911-4000-01	Mutter.....	Nut.....			
	46	1	1	1911-3261-01	Skruv	Screw.....			
	47	1	1	1911-3724-01	Sele	Harness.....			
	51	1	1	1911-3201-01	Säkerhetsskydd kpl.....	Safety cover assy		Inkl. pos 52 - 55	
	52	1	1	1911-3022-01	• Mutter.....	• Nut.....			
	53	1	1	1911-3216-01	• Bricka	• Washer.....			
	54	1	1	1911-3077-01	• Kniv	• Line cutter			
	55	1	1	1911-3006-01	• Skruv	• Screw.....			
	56	2	2	1911-3009-01	Skruv	Screw.....			
	57	2	2	1911-3216-01	Bricka	Washer.....			



Utgåva Issue		Bildnr Picture No		SB 425- SB 426 MB 425- MB 425D RÖJARE SNÄCKVÄXEL		SB 425- SB 426 MB 425- MB 425D BRUSH CUTTER GEAR CASE		Sida Page	
2005- 12		1973						300	
Pos. Fig.	Antal/Quantity			Art nr Part No	Benämning	Description	Sats Kit	Anmärkning Notes	
	4403 4404	MB 425 MB 425D							
X	61	1	1	1911-4222-01	Snäckväxel kpl.....	Gear case assy.....		Inkl. pos 62 - 79	
X	62	1	1	1911-4124-01	• Snäckväxelhus.....	• Gear case.....			
	63	1	1	1911-3678-01	• Låsring.....	• Lock ring.....			
	64	1	1	1911-3662-01	• Kullager.....	• Ball bearing.....			
	65	1	1	1911-3038-01	• Kullager.....	• Ball bearing.....			
	66	1	1	1911-3677-01	• Låsring.....	• Lock ring.....			
X	67	1	1	1911-4234-01	• Snäckdrev.....	• Pinion.....			
	68	1	1	1911-3029-01	• Skruv.....	• Screw.....			
	69	1	1	1911-3663-01	• Kullager.....	• Ball bearing.....			
X	70	1	1	1911-4235-01	• Drev.....	• Ring gear.....			
	71	1	1	1911-3049-01	• Kil.....	• Key.....			
X	72	1	1	1911-4246-01	• Axel.....	• Shaft.....			
	73	1	1	1911-3039-01	• Kullager.....	• Ball bearing.....			
	74	1	1	1911-3679-01	• Låsring.....	• Lock ring.....			
	75	1	1	1911-3664-01	• Tätningsring.....	• Seal ring.....			
	76	2	2	1911-3008-01	• Skruv.....	• Screw.....			
	77	1	1	1911-3025-01	• Skruv.....	• Screw.....			
	78	1	1	1911-3690-01	• Hylsa.....	• Collar.....			
	79	1	1	1911-3683-01	• Ringmutter- övre.....	• Ring nut- upper.....			
	80	1	1	1911-3680-01	Ringmutter- nedre.....	Ring nut- lower.....			
X	81	1	1	1911-4242-01	Stabilisator.....	Stabilizer.....			
X	82	1	1	1911-4228-01	Bricka.....	Washer.....			
X	83	1	1	1911-4232-01	Mutter.....	Nut.....			
	84	1	1	1911-3179-01	Röjklinga.....	Clearing blade.....		4T - Ø 255 mm	
	84 A	1	1	1911-3850-01	Klingskydd.....	Blade guard.....		Ej ill/not ill.	
X	85	1	1	1911-4148-01	Skärhuvud kpl.....	Nylon head assy.....		Inkl. pos 86 - 87	
	85 A	1	1	1911-9008-04	Skärtråd (2.4 mm).....	Cutting line (2.4 mm).....		0.45 kg (90 m)	
	85 A	1	1	1911-9008-08	Skärtråd (2.4 mm).....	Cutting line (2.4 mm).....		15 m	
	86	2	2	1911-3875-01	• Trådhylsa.....	• Line inlet.....			
	87	1	1	1911-3876-01	• Fjäder.....	• Spring.....			
	98	1	1	1911-3853-01	Fettub.....	Grease tube.....		Ej ill/not ill.	
	99	1	1	1911-3212-01	Skyddsglasögon.....	Protective goggles.....		Ej ill/not ill.	