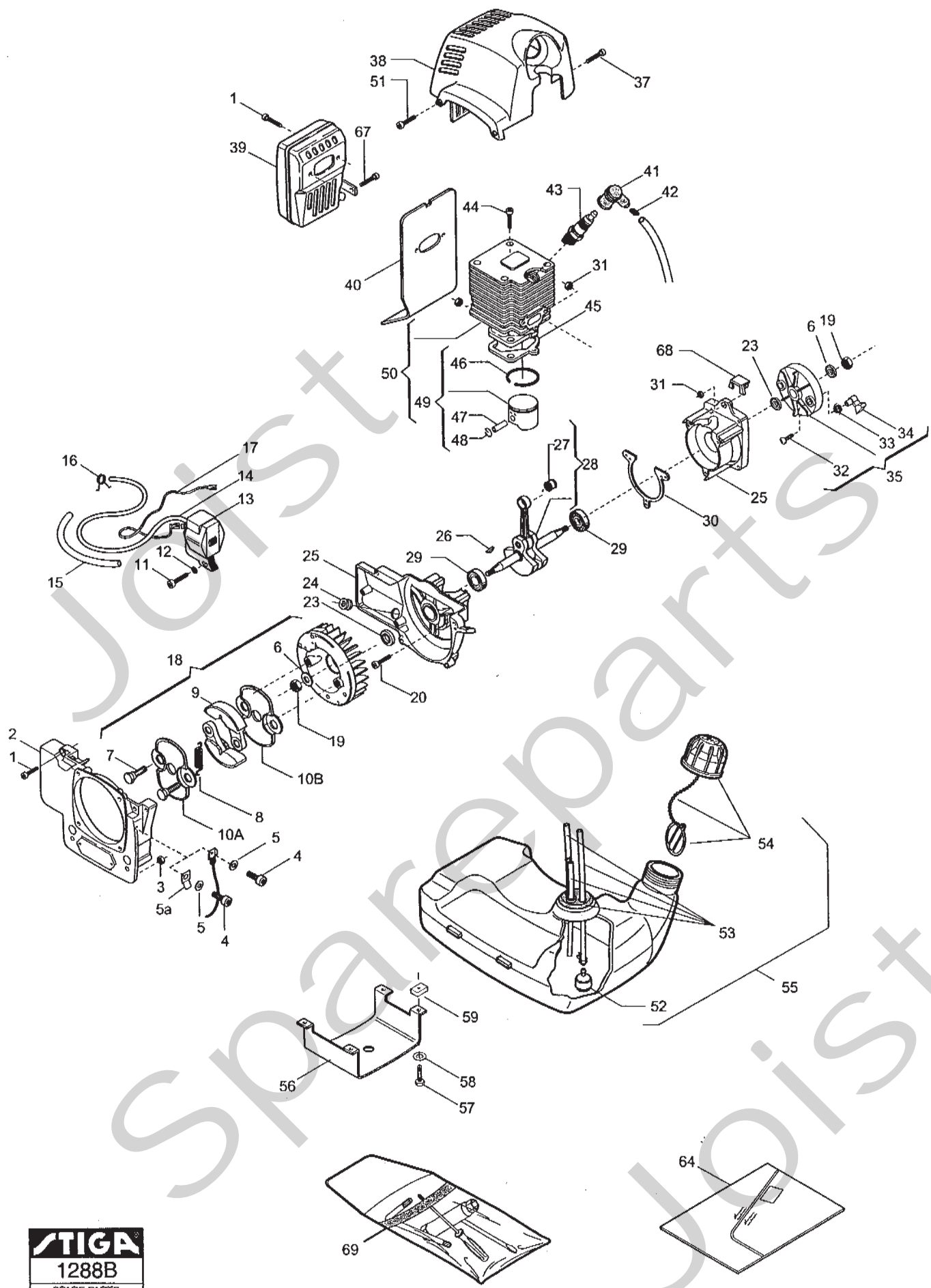


Genuine Spare Parts

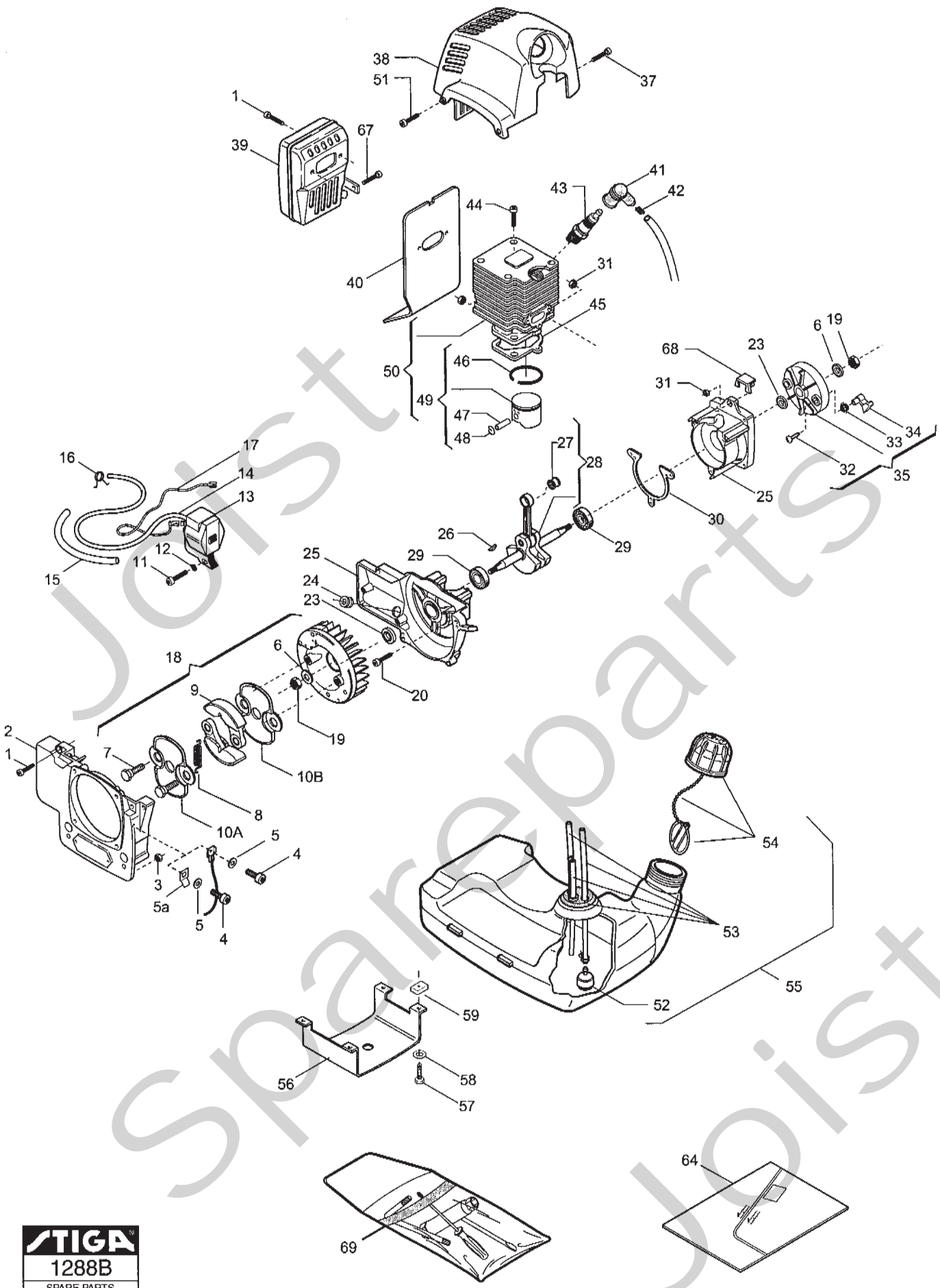


Joist
Spareparts
Joist

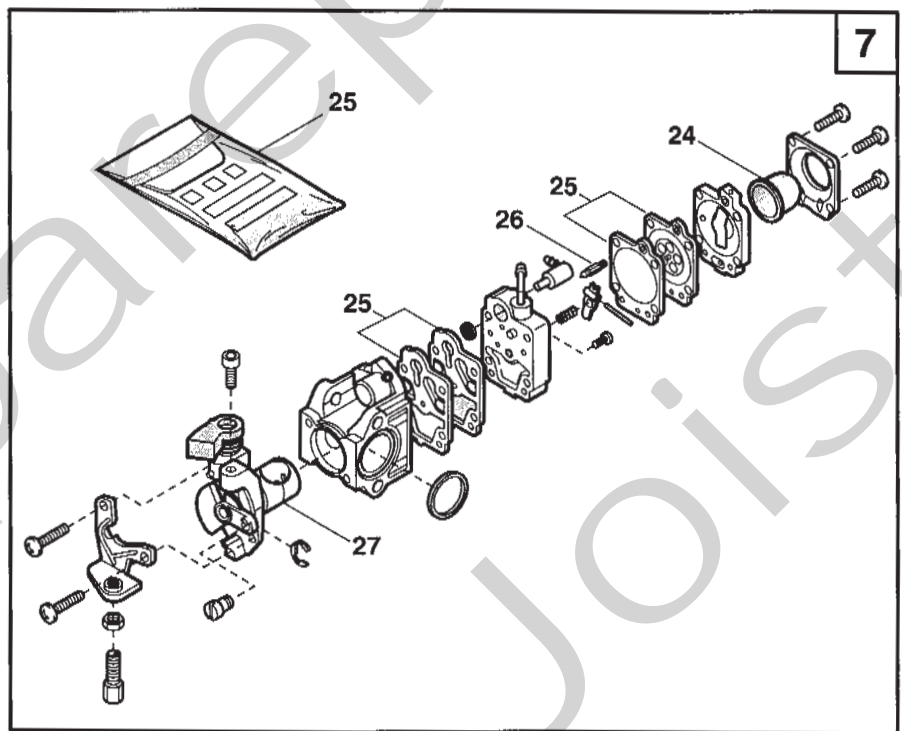
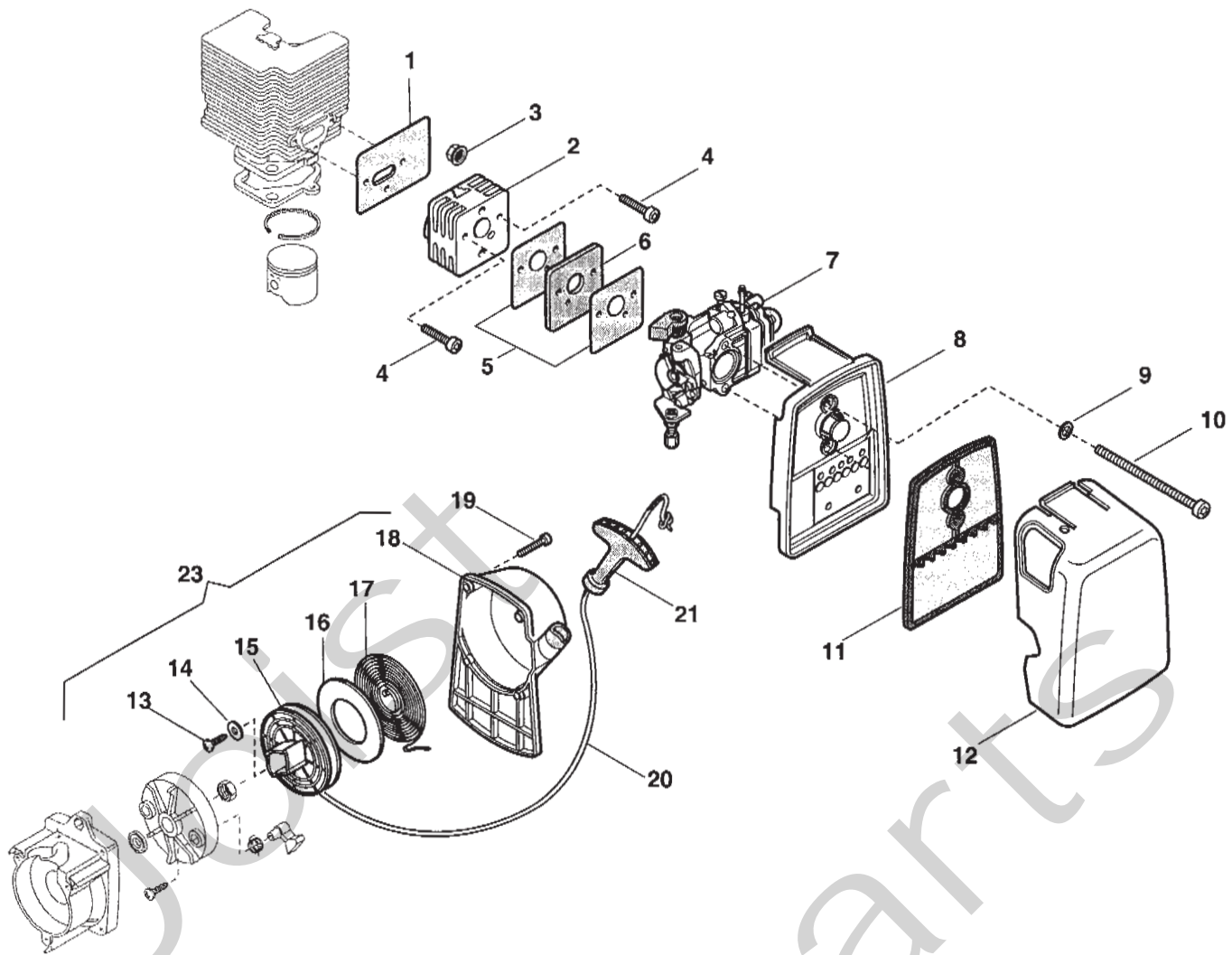


STIGA
1288B
 SPARE PARTS

Utgåva Issue		Bildnr Picture No		SB 43- SB 44- SB 52 PRO RÖJARE MOTOR	SB 43- SB 44- SB 52 PRO BRUSH CUTTER ENGINE	Sida Page	
2005- 12		1288B				290	
Pos. Fig.	Antal/Quantity		Art nr Part No	Benämning	Description	Sats Kit	Anmärkning Notes
	4630	6113 6115					
1	10	10	1911-3007-01	Skruv	Screw		
2	1	1	1911-3732-01	Transm.stödhus	Transm.support case		
3	4	4	1911-3023-01	Mutter	Nut		
4	1	1	1911-3005-01	Skruv	Screw		
5	1	1	1911-3016-01	Bricka	Washer		
5A	1	1	1911-3874-01	Flatstiftskontakt	Connector		
6	2	2	1911-3019-01	Bricka	Washer		
7	2	2	1911-3028-01	• Skruv	• Screw		
8		1	1911-3086-01	• Fjäder	• Spring		
8	1		1911-3088-01	• Fjäder	• Spring		
9		2	1911-3094-01	• Koppling	• Clutch unit		
9	2		1911-3095-01	• Koppling	• Clutch unit		
10A	1	1	1911-3078-01	• Kopplingsplatta- yttre	• Clutch guide plate-ou		
10B	1	1	1911-3079-01	• Kopplingsplatta- inre	• Clutch guide plate-in		
11	2	2	1911-3009-01	Skruv	Screw		
12	2	2	1911-3017-01	Bricka	Washer		
13	1	1	1911-3922-01	Elektronikspole	Electronic coil		
14	1	1	1911-3055-01	Tändstiftskabel	Spark plug cable		
15	1	1	1911-4248-01	Kabelhölje	Wire sheath		
16	1	1	1911-3092-01	Klämma	Clamp		
17	1	1	1911-3673-01	Jordkabel	Earth cable		
18	1		1911-3186-01	Svånghjul kpl	Flywheel assy		Inkl. pos 7 - 10
18		1	1911-3821-01	Svånghjul kpl	Flywheel assy		Inkl. pos 7 - 10
19	2	2	1911-3020-01	Mutter	Nut		
20	4	4	1911-3010-01	Skruv	Screw		
23	2	2	1911-3044-01	Tätningring	Seal ring		
24	1	1	1911-3116-01	Gummihylsa	Grommet		
25	1	1	1911-3823-01	Vevhus kpl	Crankcase assy		
26	1	1	1911-3049-01	Kil	Key		
27	1	1	1911-3041-01	• Nällager	• Needle bearing		
28	1	1	1911-3185-01	Vevaxel kpl	Crankshaft assy		Inkl. pos 27
29	2	2	1911-3033-01	Kullager	Ball bearing		
30	1	1	1911-3098-01	• Packning	• Gasket		
31	5	5	1911-3022-01	Mutter	Nut		
32	2	2	1911-3002-01	• Skruv	• Screw		
33	2	2	1911-3087-01	• Fjäder	• Spring		
34	2	2	1911-3118-01	• Startspärr	• Starter hook		
35	1	1	1911-3824-01	Startkopp kpl	Starter cup assy		Inkl. pos 32 - 34
37	1	1	1911-3006-01	Skruv	Screw		
38	1	1	1911-3174-01	Cylinderkåpa	Cylinder cover		
39	1	1	1911-3136-01	Ljuddämpare	Muffler		
40	1	1	1911-3105-01	• Packning	• Gasket		
41	1	1	1911-3113-01	Tändstiftshylsa	Spark plug cover		
42	1	1	1911-3093-01	Tändstiftsfjäder	Spark plug spring		
43	1	1	9400-0258-00	Tändstift	Spark plug		Champion CJ7Y
44	4	4	1911-3009-01	Skruv	Screw		
45	1	1	1911-3099-01	• Cylinderpackning	• Cylinder gasket		
46	1		1911-3046-01	•• Kolvring	•• Piston ring		
46		1	1911-3303-01	•• Kolvring	•• Piston ring		
47	1		1911-3050-01	•• Kolvbult	•• Piston pin		
47		1	1911-3305-01	•• Kolvbult	•• Piston pin		
48	2	2	1911-3068-01	•• Låsring	•• Lock ring		
49	1		1911-3195-01	• Kolv kpl	• Piston assy		Inkl. pos 46 - 48
49		1	1911-3595-01	• Kolv kpl	• Piston assy		Inkl. pos 46 - 48
50	1		1911-3196-01	Cylinder kpl m.kolv	Cylinder assy w.pist.		Inkl. pos 49
50		1	1911-3596-01	Cylinder kpl m.kolv	Cylinder assy w.pist.		Inkl. pos 49
51	2	2	1911-3007-01	Skruv	Screw		
52	1	1	1911-3150-01	• Bränslefilter	• Intake filter		
53	1	1	1911-3209-01	• Slangtätning kpl	• Grommet assy		
54	1	1	1911-3207-01	• Tanklock	• Fuel cap		
55	1	1	1911-3147-01	Bränsletank kpl	Fuel tank assy		Inkl. pos 52 - 54
56	1	1	1911-3740-01	Fläns	Flange		
57	4	4	1911-3006-01	Skruv	Screw		Plast/plastic

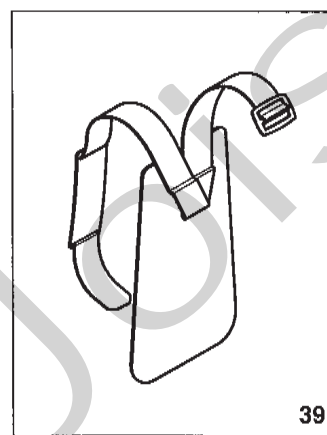
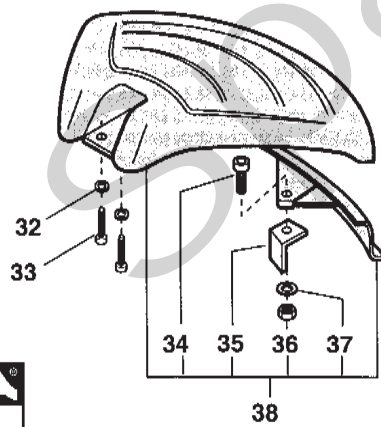
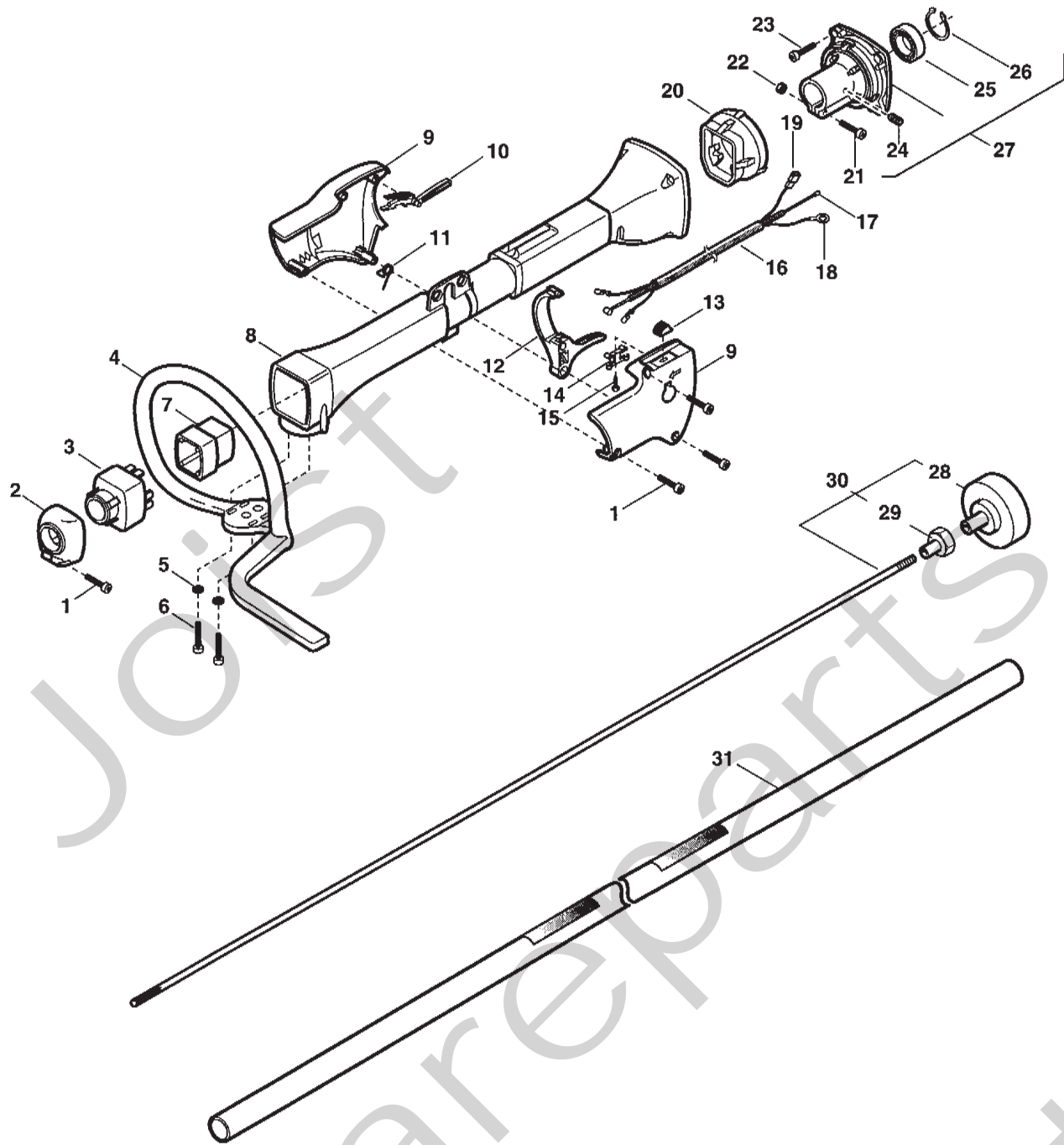


STIGA
1288B
 SPARE PARTS



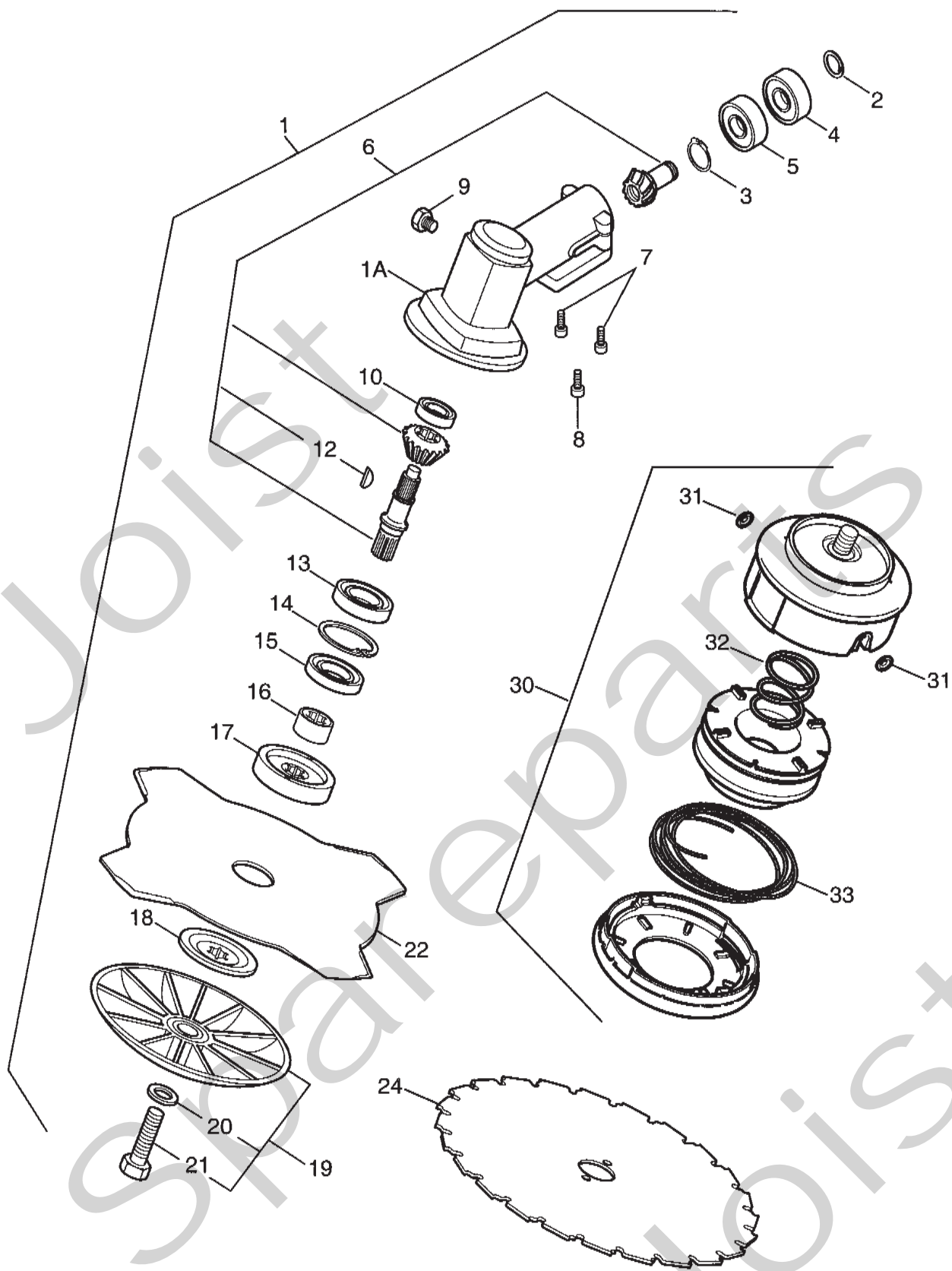
STIGA
1289A
SPARE PARTS

Utgåva Issue		Bildnr Picture No		SB 43- SB 44- SB 52 PRO RÖJARE FÖRGASARE		SB 43- SB 44- SB 52 PRO BRUSH CUTTER CARBURETTOR		Sida Page	
2005- 12		1289A						294	
Pos. Fig.	Antal/Quantity			Art nr Part No	Benämning	Description	Sats Kit	Anmärkning Notes	
	6113	6115	4630						
1	1			1911-3106-01	Packning.....	Gasket.....			
2	1			1911-3124-01	Insugningsrör.....	Intake manifold.....			
3	2			1911-3032-01	Mutter.....	Nut.....			
4	2			1911-3010-01	Skruv.....	Screw.....			
5	2			1911-3107-01	Packning.....	Gasket.....			
6	1			1911-3132-01	Värmedistans.....	Heat block.....			
7	1			1911-3878-01	Förgasare kpl.....	Carburettor assy.....		WYJ309	
8	1			1911-3211-01	Luftfilterfäste.....	Air filter holder.....			
9	2			1911-3015-01	Bricka.....	Washer.....			
10	2			1911-3014-01	Skruv.....	Screw.....			
11	1			1911-3127-01	Luftfilter.....	Air filter.....			
12	1			1911-3175-01	Luftfilterkåpa.....	Air filter cover.....			
13	1			1911-3002-01	• Skruv.....	• Screw.....			
14	1			1911-3071-01	• Bricka.....	• Washer.....			
15	1			1911-3165-01	• Linhjul.....	• Starter pulley.....			
16	1			1911-3100-01	• Skiva.....	• Disc.....			
17	1			1911-3176-01	• Startfjäder.....	• Starter spring.....			
18	1			1911-3204-01	• Starthus.....	• Starter recoil case.....			
19	4			1911-3007-01	• Skruv.....	• Screw.....			
20	1			1911-3129-01	• Startsnöre.....	• Starter cord.....			
21	1			1911-3479-01	• Starthandtag.....	• Starter handle.....			
23	1			1911-3149-01	Start kpl.....	Starter assy.....		Inkl. pos 13 - 21	
24	1			1911-3115-01	Primer.....	Primer bulb.....			
25	1			1911-3157-01	Packning- membransats.....	Gasket- diaphragm set.....			
26	1			1911-3158-01	Reparationssats.....	Repair set.....			
27	1			1911-3727-01	Ventil.....	Floating valve.....			



STIGA
1970
SPARE PARTS

Utgåva Issue		Bildnr Picture No		SB 39- SB 43 RÖJARE RIGG		SB 39- SB 43 BRUSH CUTTER DRIVE SHAFT		Sida Page	
2005- 12		1970						280	
Pos. Fig.	Antal/Quantity			Art nr Part No	Benämning	Description	Sats Kit	Anmärkning Notes	
	6118	6113							
1	4			1911-3001-01	Skruv	Screw			
2	1			1911-4006-01	Stöd- fram	Housing support- front.....			
3	1			1911-4004-01	Vibrationsdämpare- fra	Shock absorber- front			
4	1			1911-4009-01	Handtag- fram.....	Handle- front			
5	2			1911-3216-01	Bricka	Washer.....			
6	2			1911-3251-01	Skruv	Screw			
7	1			1911-4007-01	Distans	Step- down spacer			
8	1			1911-4008-01	Transmissionshus	Transmission housing			
9	1			1911-4010-01	Handtagshus	Handgrip housing			
10	1			1911-4003-01	Säkerhetsspärr	Safety lever			
11	1			1911-4001-01	Fjäder.....	Spring			
12	1			1911-4002-01	Gasreglage.....	Throttle lever.....			
13	1			1911-3699-01	Stoppknapp	Stop knob			
14	1			1911-3681-01	Stopplatta	Stop plate.....			
15	1			1911-3656-01	Skruv	Screw			
16	1			1911-3999-01	Kabelhölje.....	Wire sheath			
X 17	1			1911-4251-01	Gaswire	Throttle cable			
18	1			1911-3669-01	Jordkabel.....	Earth cable			
X 19	1			1911-4238-01	Kabel	Coil- switch cable			
20	1			1911-4005-01	Vibrationsdämpare- bak.....	Shock absorber- rear.....			
21	1			1911-3011-01	Skruv	Screw			
22	1			1911-3021-01	Mutter	Nut			
23	4			1911-3012-01	Skruv	Screw			
24	1			1911-3658-01	• Skruv	• Screw			
25	1			1911-3035-01	• Kullager	• Ball bearing			
26	1			1911-3066-01	• Låsring	• Lock ring			
27	1			1911-3188-01	Transmissionsnav kpl	Transmission hub assy		Inkl. pos 24 - 26	
28	1			1911-3134-01	• Kopplingstrumma	• Clutch.....			
29	1			1911-3083-01	• Lagernav.....	• Bearing hub.....			
30	1			1911-3140-01	Drivaxel kpl.....	Transm. shaft assy		Inkl. pos 28 - 29	
31	1			1911-3139-01	Drivaxelrör.....	Transmission pipe			
32	2			1911-3216-01	Bricka	Washer.....			
33	2			1911-3009-01	Skruv	Screw			
34	1			1911-3006-01	• Skruv	• Screw			
35	1			1911-3077-01	• Kniv	• Line cutter			
36	1			1911-3022-01	• Mutter	• Nut			
37	1			1911-3216-01	• Bricka	• Washer			
38	1			1911-3201-01	Säkerhetsskydd kpl.....	Safety cover assy		Inkl. pos 34 - 37	
39	1			1911-3724-01	Sele	Harness.....			
99	1			1911-3212-01	Skyddsglasögon	Protective goggles		Ej ill/not ill.	



STIGA
1285B
SPARE PARTS

Utgåva Issue		Bildnr Picture No		SB 435- SB 436 RÖJARE SNÄCKVÄXEL		SB 435- SB 436 BRUSH CUTTER GEAR CASE		Sida Page	
2005- 12		1285B						306	
Pos. Fig.	Antal/Quantity			Art nr Part No	Benämning	Description	Sats Kit	Anmärkning Notes	
	4401 4402								
1	1			1911-3137-01	Snäckväxel kpl.....	Gear case assy.....		Inkl. pos 2 - 21	
1A	1			1911-3161-01	Snäckväxelhus.....	Gear case.....			
2	1			1911-3067-01	• Låsring.....	• Lock ring.....			
3	1			1911-3065-01	• Låsring.....	• Lock ring.....			
4	1			1911-3037-01	• Kullager.....	• Ball bearing.....			
5	1			1911-3036-01	• Kullager.....	• Ball bearing.....			
6	1			1911-3182-01	• Snäckdrev.....	• Worm gear.....			
7	2			1911-3008-01	• Skruv.....	• Screw.....			
8	1			1911-3025-01	• Skruv.....	• Screw.....			
9	1			1911-3029-01	• Skruv.....	• Screw.....			
10	1			1911-3038-01	• Kullager.....	• Ball bearing.....			
12	1			1911-3049-01	• Kil.....	• Key.....			
13	1			1911-3034-01	• Kullager.....	• Ball bearing.....			
14	1			1911-3066-01	• Låsring.....	• Lock ring.....			
15	1			1911-3045-01	• Tätningsring.....	• Oil seal.....			
16	1			1911-3082-01	• Hylsa.....	• Collar.....			
17	1			1911-3081-01	• Ringmutter- övre.....	• Ring nut-upper.....			
18	1			1911-3070-01	• Ringmutter- nedre.....	• Ring nut-lower.....			
19	1			1911-3163-01	• Skål kpl (fast).....	• Bowl assy (fixed).....		Inkl. pos 20 - 21	
20	1			1911-3018-01	• • Bricka.....	• • Washer.....			
21	1			1911-3026-01	• • Skruv (vä- gängad).....	• • Screw (LH- thread).....			
22	1			1911-3179-01	Röjklinga.....	Clearing blade.....		4T - Ø 255 mm	
22A	1			1911-3850-01	Klingskydd.....	Blade guard.....		Ej ill/not ill.	
24	1			1911-3921-01	Sågklinga.....	Saw blade.....		24T - Ø 255 mm	
30	1			1911-3877-01	Skärhuvud kpl.....	Cutterhead assy.....		Inkl. pos 31 - 32	
31	2			1911-3875-01	• Trådhylsa.....	• Line inlet.....			
32	1			1911-3876-01	• Fjäder.....	• Spring.....			
33	1			1911-9008-04	Skärtråd (2.4 mm).....	Cutting line (2.4 mm).....		0.45 kg (90 m)	
33	1			1911-9008-08	Skärtråd (2.4 mm).....	Cutting line (2.4 mm).....		15 m	
99	1			1911-3853-01	Fettub.....	Grease tube.....		Ej ill/not ill.	