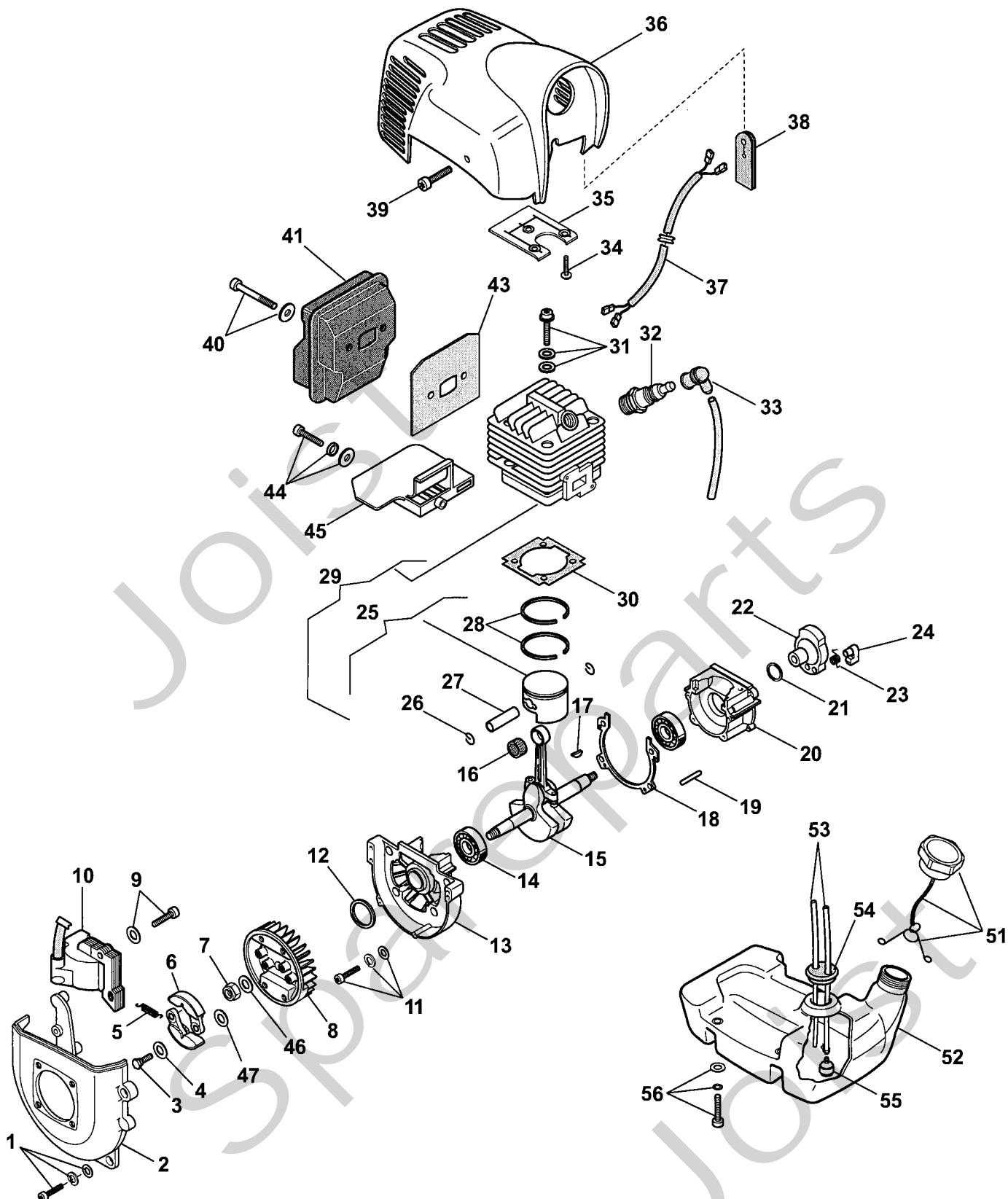


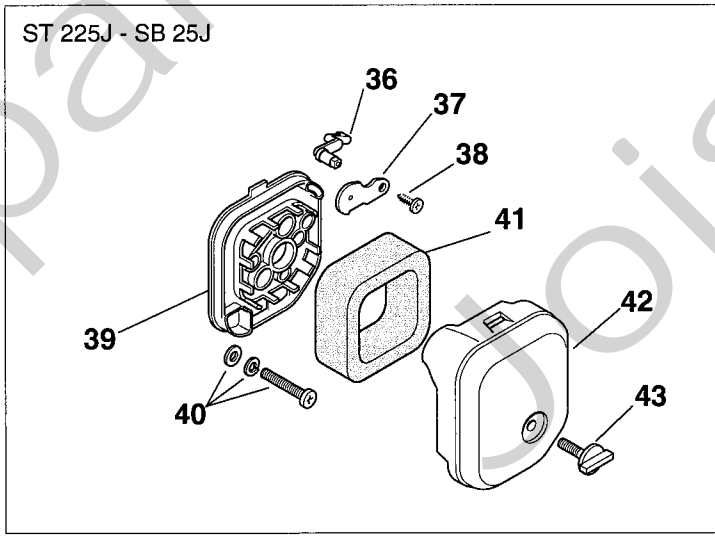
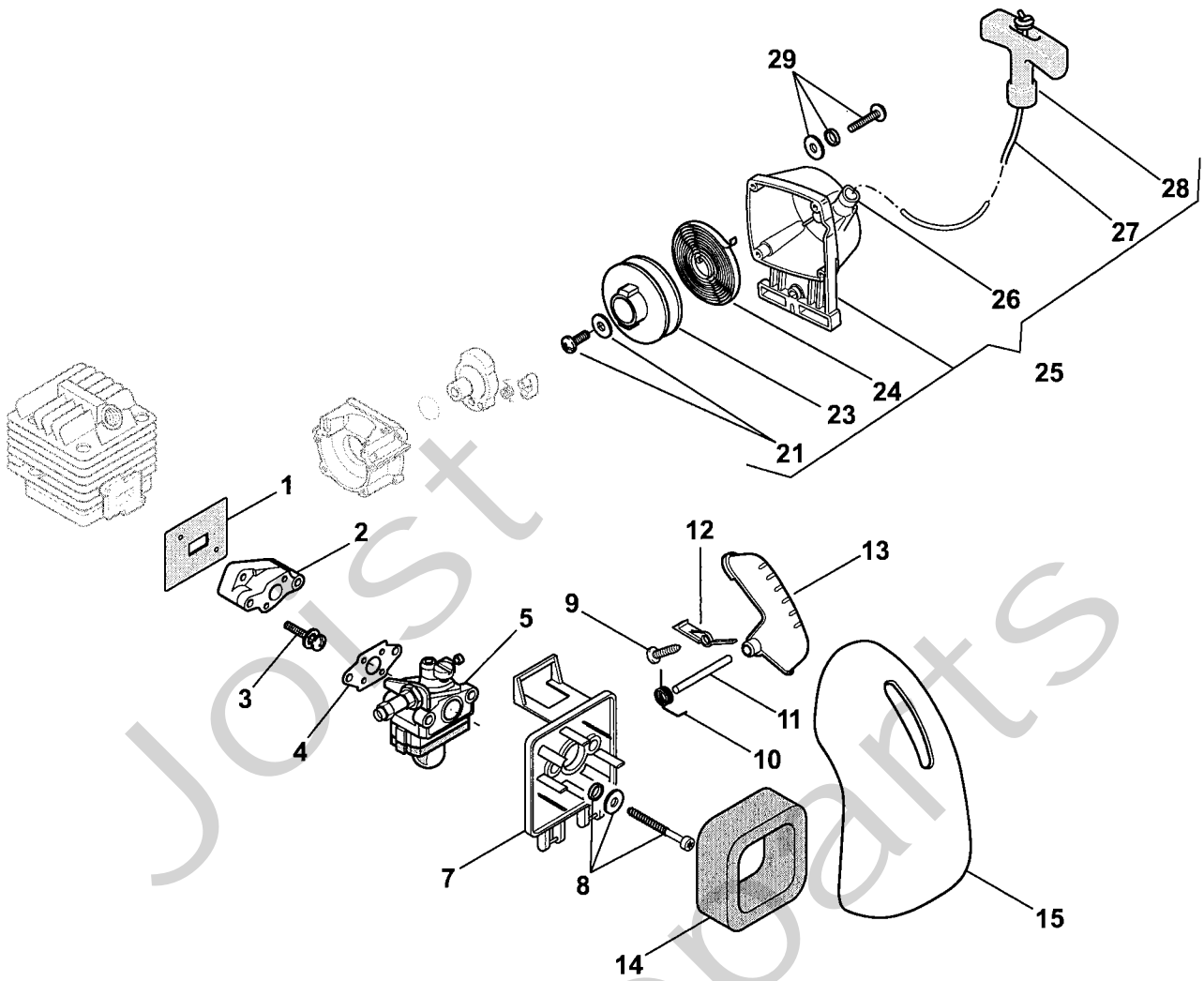
Genuine Spare Parts



Joist
Spareparts
Joist

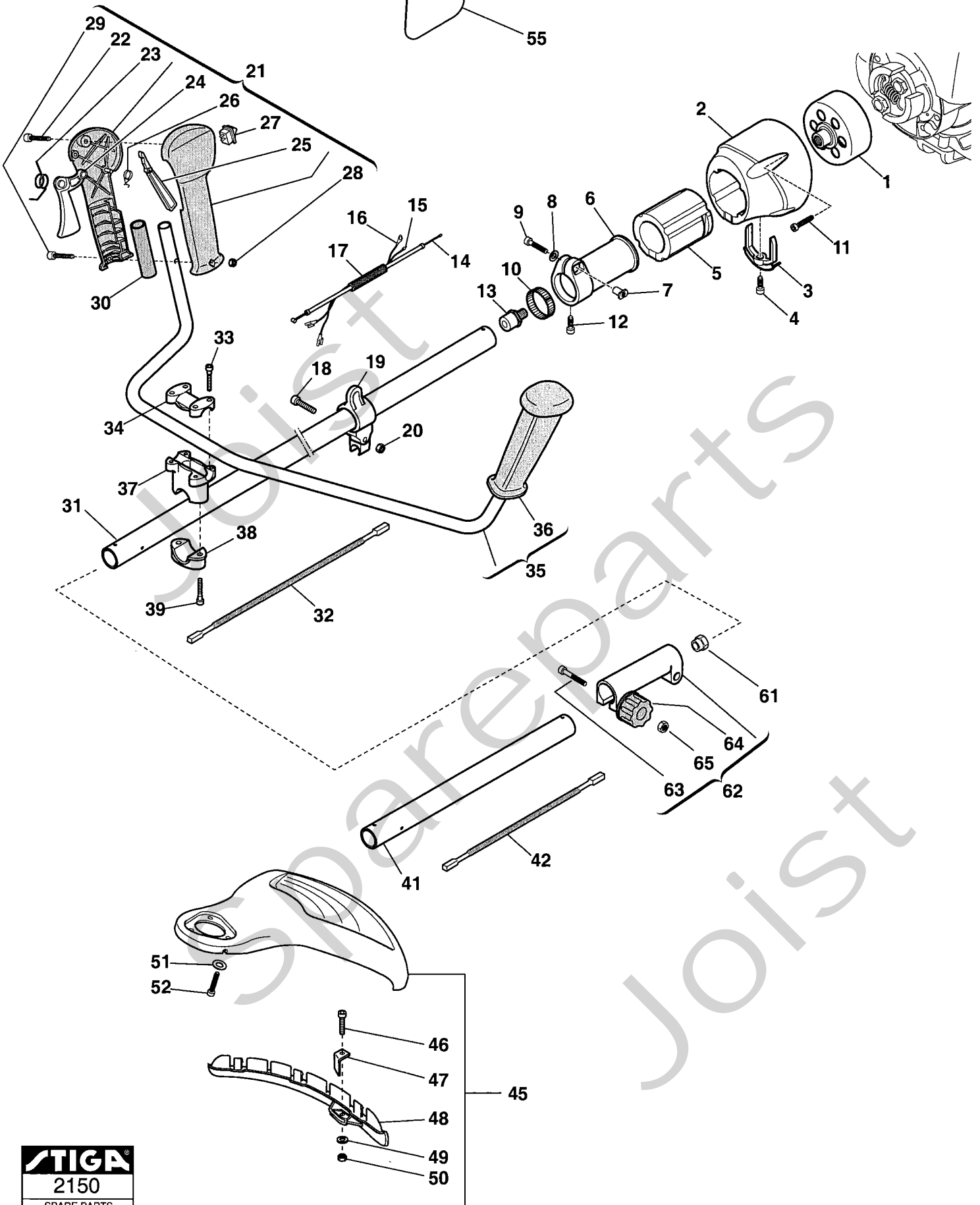
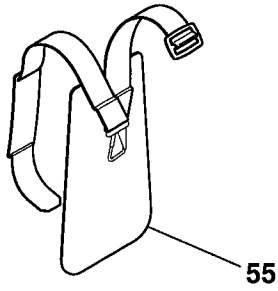


| Utgåva Issue 2006-12 | | Bildnr Picture No 1968A | | ST 225J- SB 25J ST 290- ST 291 SB 27J- SB 29J MOTOR | | ST 225J- SB 25J ST 290- ST 291 SB 27J- SB 29J ENGINE | | Sida Page 276 |
|----------------------------|----------------|-------------------------------|--|--|------------------------|---|-------------|---------------------|
| Pos. Fig. | Antal/Quantity | | | Art nr Part No | Benämning | Description | Sats Kit | Anmärkning Notes |
| | 1025 6109 | 1029 1031 6116 6117 | | | | | | |
| 1 | 4 | 4 | | 1911-4334-01 | Skrivsats..... | Screw set..... | | |
| 2 | 1 | 1 | | 1911-4284-01 | Stödhus..... | Transm.support case..... | | |
| 3 | 2 | 2 | | 1911-4310-01 | Skruv..... | Screw..... | | |
| 4 | 2 | 2 | | 1911-4308-01 | Bricka..... | Washer..... | | |
| 5 | 1 | 1 | | 1911-4309-01 | Fjäder..... | Spring..... | | |
| 6 | 2 | 2 | | 1911-4307-01 | Koppling..... | Clutch unit..... | | |
| 7 | 1 | 1 | | 1911-4358-01 | Mutter..... | Nut..... | | |
| 8 | 1 | 1 | | 1911-4277-01 | Svånghjul..... | Flywheel..... | | |
| 9 | 2 | 2 | | 1911-4337-01 | Skrivsats..... | Screw set..... | | |
| 10 | 1 | 1 | | 1911-4276-01 | Elektronikspole..... | Electronic coil..... | | |
| 11 | 4 | 4 | | 1911-4335-01 | Skrivsats..... | Screw set..... | | |
| 12 | 1 | 1 | | 1911-4283-01 | Tätningring..... | Seal ring..... | | |
| 13 | 1 | 1 | | 1911-4280-01 | Vevhus-främre..... | Crankcase-front..... | | |
| 14 | | 2 | | 1911-4324-01 | Kullager..... | Ball bearing..... | | |
| X 14 | 2 | | | 6981110 | Kullager..... | Ball bearing..... | | |
| 15 | 1 | 1 | | 1911-4291-01 | Vevaxel..... | Crankshaft..... | | |
| 16 | 1 | 1 | | 1911-4292-01 | Nållager..... | Needle bearing..... | | |
| 17 | 1 | 1 | | 1911-4323-01 | Kil..... | Key..... | | |
| 18 | 1 | 1 | | 1911-4282-01 | Packning..... | Gasket..... | | |
| 19 | 3 | 3 | | 1911-4342-01 | Centrerstift..... | Centering pin..... | | |
| 20 | 1 | 1 | | 1911-4281-01 | Vevhus-bakre..... | Crankcase-rear..... | | |
| 21 | 1 | 1 | | 1911-4283-01 | Tätningring..... | Seal ring..... | | |
| 22 | 1 | 1 | | 1911-4306-01 | Startkopp..... | Starter cup..... | | |
| 23 | 1 | 1 | | 1911-4345-01 | Fjäder..... | Spring..... | | |
| 24 | 1 | 1 | | 1911-4305-01 | Startspärr..... | Starter hook..... | | |
| 25 | 1 | 1 | | 1911-4287-01 | • Kolv..... | • Piston..... | | Inkl. pos 26 - 28 |
| 26 | 2 | 2 | | 1911-4290-01 | •• Låsring..... | •• Lock ring..... | | |
| 27 | 1 | 1 | | 1911-4289-01 | •• Kolvbult..... | •• Piston pin..... | | |
| 28 | 2 | 2 | | 1911-4288-01 | •• Kolvrings..... | •• Piston ring..... | | |
| 29 | 1 | 1 | | 1911-4278-01 | Cylinder-kolv kpl..... | Cylinder-piston assy..... | | Inkl. pos 25 |
| 30 | 1 | 1 | | 1911-4279-01 | Cylinderpackning..... | Cylinder gasket..... | | |
| 31 | 4 | 4 | | 1911-4334-01 | Skrivsats..... | Screw set..... | | |
| 32 | 1 | 1 | | 1911-4331-01 | Tändstift..... | Spark plug..... | | |
| 33 | 1 | 1 | | 1911-4298-01 | Tändstiftshatt..... | Spark plug cover..... | | |
| X 34 | 3 | 3 | | 6981285 | Skruv..... | Screw..... | | |
| 35 | 1 | 1 | | 1911-4319-01 | Skydd..... | Guard..... | | |
| 36 | 1 | 1 | | 1911-4341-01 | Motorkåpa-gul..... | Engine cover-yellow..... | | |
| 37 | 2 | 2 | | 1911-4297-01 | Kabel..... | Switch wire..... | | |
| 38 | 1 | 1 | | 1911-4296-01 | Kabelhållare..... | Cable retainer..... | | |
| 39 | 2 | 2 | | 1911-4325-01 | Skruv..... | Screw..... | | |
| 40 | 2 | 2 | | 1911-4336-01 | Skrivsats..... | Screw set..... | | |
| 41 | 1 | 1 | | 1911-4315-01 | Ljuddämpare..... | Muffler..... | | |
| 43 | 1 | 1 | | 1911-4316-01 | Ljuddämparskydd..... | Muffler shield..... | | |
| 44 | 1 | 1 | | 1911-4337-01 | Skrivsats..... | Screw set..... | | |
| 45 | 1 | 1 | | 1911-4318-01 | Skydd..... | Guard..... | | |
| 46 | 1 | 1 | | 1911-4343-01 | Bricka..... | Washer..... | | |
| X 47 | 2 | 2 | | 1911-4430-01 | Bricka..... | Washer..... | | |
| X 51 | 1 | 1 | | 1911-4424-01 | Tanklock..... | Fuel tank cap..... | | |
| 52 | 1 | 1 | | 1911-4311-01 | Bränsletank..... | Fuel tank..... | | |
| 53 | 2 | 2 | | 1911-4313-01 | Bränsleslang..... | Fuel hose..... | | |
| 54 | 1 | 1 | | 1911-4314-01 | Gummihylsa..... | Grommet..... | | |
| 55 | 1 | 1 | | 1911-4254-01 | Bränslefilter..... | Intake filter..... | | |
| 56 | 4 | 4 | | 1911-4327-01 | Skrivsats..... | Screw set..... | | |

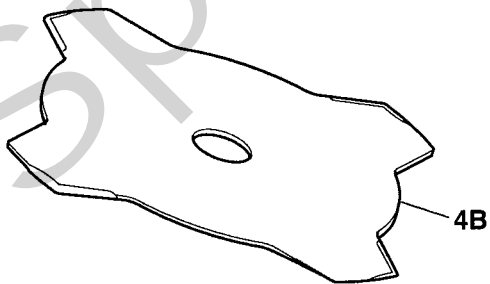
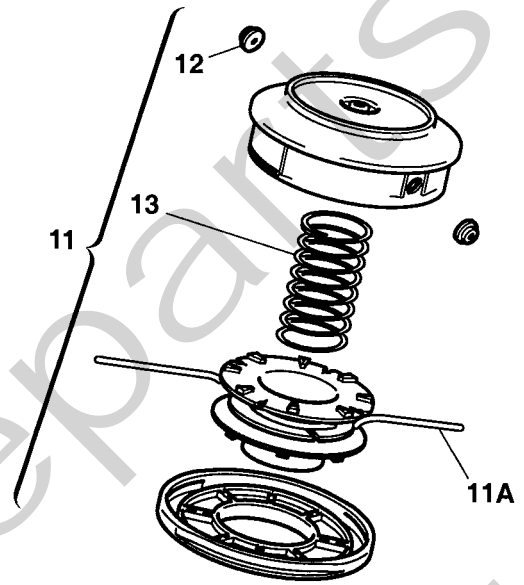
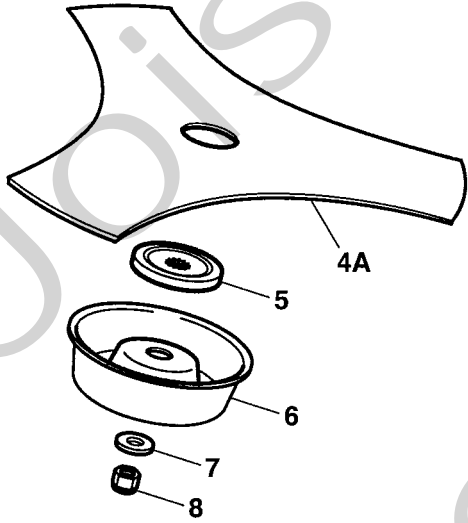
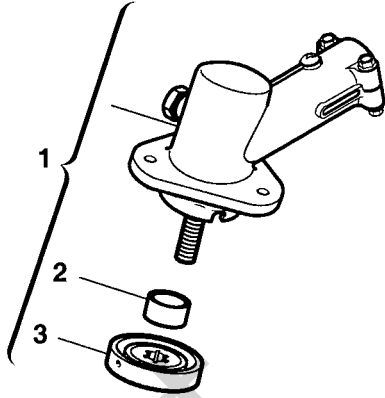


| | | | | |
|-----------------------------|-------------------------------|--|--|---------------------|
| Utgåva Issue 2006- 12 | Bildnr Picture No 1969A | ST 225J- SB 25J ST 290- ST 291 SB 27J- SB 29J FÖRGASARE | ST 225J- SB 25J ST 290- ST 291 SB 27J- SB 29J CARBURETTOR | Sida Page 278 |
|-----------------------------|-------------------------------|--|--|---------------------|

| Pos. Fig. | Antal/Quantity | | | Art nr Part No | Benämning | Description | Sats Kit | Anmärkning Notes |
|--------------|----------------|------------------------------|---|-------------------|----------------------------|----------------------------|-------------|---------------------|
| | 1025 6109 | 1029 1031 6116 6117 | | | | | | |
| | 1 | 1 | | 1911- 4286- 01 | Packning..... | Gasket..... | | |
| | 2 | 1 | | 1911- 4285- 01 | Insugningsrör..... | Intake manifold..... | | |
| X | 3 | 2 | | 1911- 4428- 01 | Skruvsats..... | Screw set..... | | |
| | 4 | 1 | | 1911- 4293- 01 | Packning- membransats..... | Gasket- diaphragm kit..... | | |
| | 5 | 1 | | 1911- 4122- 01 | Förgasare kpl..... | Carburettor assy..... | | WYJ- 393 |
| X | 5 | 1 | | 1911- 4449- 01 | Förgasare kpl..... | Carburettor assy..... | | WYJ- 398A |
| | 7 | 1 | | 1911- 4294- 01 | Lufffilterhållare..... | Air filter holder..... | | |
| | 8 | 2 | | 1911- 4330- 01 | Skruvsats..... | Screw set..... | | |
| X | 9 | 2 | | 6981269 | Skruv..... | Screw..... | | |
| | 10 | 1 | | 1911- 4320- 01 | Fjäder..... | Spring..... | | |
| | 11 | 1 | | 1911- 4321- 01 | Stift..... | Pin..... | | |
| | 12 | 1 | | 1911- 4322- 01 | Hållare..... | Retainer..... | | |
| | 13 | 1 | | 1911- 4332- 01 | Tryckknapp..... | Button..... | | |
| | 14 | 1 | | 1911- 4295- 01 | Lufffilter..... | Air filter..... | | |
| | 15 | 1 | | 1911- 4340- 01 | Filterlock- gul..... | Filter cover- yellow..... | | |
| | 21 | 1 | | 1911- 4326- 01 | • Skruvsats..... | • Screw set..... | | |
| | 23 | 1 | | 1911- 4301- 01 | • Linhjul..... | • Starter pulley..... | | |
| | 24 | 1 | | 1911- 4300- 01 | • Returfjäder..... | • Rewind spring..... | | |
| X | 25 | 1 | | 1911- 4529- 01 | Start kpl..... | Starter assy..... | | Inkl. pos 21 - 28 |
| | 26 | 1 | | 1911- 4303- 01 | • Linguide..... | • Rope guide..... | | |
| | 27 | 1 | | 1911- 4304- 01 | • Startsnöre..... | • Starter cord..... | | |
| | 28 | 1 | | 1911- 4302- 01 | • Starthandtag..... | • Starter handle..... | | |
| | 29 | 4 | 4 | 1911- 4337- 01 | Skruvsats..... | Screw set..... | | |
| | 36 | 1 | | 1911- 4352- 01 | Chokearm..... | Choke lever..... | | |
| | 37 | 1 | | 1911- 4351- 01 | Chokespjäll..... | Choke valve..... | | |
| X | 38 | 1 | | 1911- 4429- 01 | Skruv..... | Screw..... | | |
| | 39 | 1 | | 1911- 4346- 01 | Lufffilterhus..... | Filter housing..... | | |
| | 40 | 2 | | 1911- 4329- 01 | Skruvsats..... | Screw set..... | | |
| | 41 | 1 | | 1911- 4295- 01 | Lufffilter..... | Air filter..... | | |
| | 42 | 1 | | 1911- 4349- 01 | Filterlock..... | Filer cover..... | | |
| | 43 | 1 | | 1911- 4347- 01 | Skruv..... | Screw..... | | |



| Utgåva Issue 2006- 12 | | Bildnr Picture No 2150 | | SB 29J RÖJARE RIGG | | SB 29J BRUSH CUTTER DRIVE SHAFT | | Sida Page 272 | |
|-----------------------------|----------------|------------------------------|--|--------------------------|------------------------|---------------------------------------|-------------|---------------------|--|
| Pos. Fig. | Antal/Quantity | | | Art nr Part No | Benämning | Description | Sats Kit | Anmärkning Notes | |
| | 6117 -12 | | | | | | | | |
| 1 | 1 | | | 1911-4206-01 | Kopplingstrumma..... | Clutch drum..... | | | |
| 2 | 1 | | | 1911-4189-01 | Transmissionsstöd..... | Transmission support..... | | | |
| 3 | 1 | | | 1911-4154-01 | Gaffel..... | Fork..... | | | |
| 4 | 1 | | | 1911-3002-01 | Skruv..... | Screw..... | | | |
| 5 | 1 | | | 1911-4155-01 | Hylsa..... | Grommet..... | | | |
| 6 | 1 | | | 1911-4188-01 | Stöd..... | Support..... | | | |
| 7 | 1 | | | 1911-4245-01 | Bussning..... | Bushing..... | | | |
| 8 | 1 | | | 1911-3267-01 | Bricka..... | Washer..... | | | |
| 9 | 1 | | | 1911-3007-01 | Skruv..... | Screw..... | | | |
| 10 | 1 | | | 1911-4236-01 | Reducering..... | Reduction..... | | | |
| 11 | 4 | | | 1911-3012-01 | Skruv..... | Screw..... | | | |
| 12 | 1 | | | 1911-3025-01 | Skruv..... | Screw..... | | | |
| 13 | 1 | | | 1911-4176-01 | Lagernav..... | Bearing hub..... | | | |
| 14 | 1 | | | 1911-3720-01 | Gaswire..... | Throttle wire..... | | | |
| 15 | 1 | | | 1911-4128-01 | Kabel..... | Coil-switch cable..... | | | |
| 16 | 1 | | | 1911-4133-01 | Jordkabel..... | Earth cable..... | | | |
| 17 | 1 | | | 1911-3704-01 | Wirehölje..... | Wire sheath..... | | | |
| 18 | 1 | | | 1911-3007-01 | Skruv..... | Screw..... | | | |
| 19 | 1 | | | 1911-4187-01 | Fäste-sele..... | Harness support..... | | | |
| 20 | 1 | | | 1911-3278-01 | Mutter..... | Nut..... | | | |
| 21 | 1 | | | 1911-3203-01 | Handtag kpl..... | Handle assy..... | | Inkl. pos 22 - 29 | |
| 22 | 1 | | | 1911-3001-01 | • Skruv..... | • Screw..... | | | |
| 23 | 1 | | | 1911-3089-01 | • Fjäder..... | • Spring..... | | | |
| 24 | 1 | | | 1911-3108-01 | • Gasreglage..... | • Throttle lever..... | | | |
| 25 | 1 | | | 1911-3109-01 | • Säkerhetsspärr..... | • Safety lever..... | | | |
| 26 | 1 | | | 1911-3090-01 | • Fjäder..... | • Spring..... | | | |
| 27 | 1 | | | 1911-3053-01 | • Stoppkontakt..... | • Stop switch..... | | | |
| 28 | 1 | | | 9747-0531-02 | • Mutter..... | • Nut..... | | | |
| 29 | 1 | | | 1911-3008-01 | • Skruv..... | • Screw..... | | | |
| 30 | 1 | | | 1911-4181-01 | Reduktion..... | Reduction..... | | | |
| X 31 | 1 | | | 1911-4522-01 | Transmissionsrör..... | Transmission tube..... | | | |
| X 32 | 1 | | | 1911-4440-01 | Drivaxel..... | Transmission shaft..... | | | |
| 33 | 4 | | | 1911-3009-01 | Skruv..... | Screw..... | | | |
| 34 | 1 | | | 1911-4203-01 | Styrfäste-övre..... | Handle support-upper..... | | | |
| 35 | 1 | | | 1911-4214-01 | Styre kpl..... | Handle assy..... | | Inkl. pos 36 | |
| 36 | 1 | | | 1911-4172-01 | • Handtag-vä..... | • Grip-LH..... | | | |
| 37 | 1 | | | 1911-4202-01 | Styrfäste-mitten..... | Handle support-middle..... | | | |
| 38 | 1 | | | 1911-4257-01 | Styrfäste-undre..... | Handle support-lower..... | | | |
| 39 | 2 | | | 1911-3008-01 | Skruv..... | Screw..... | | | |
| X 41 | 1 | | | 1911-4523-01 | Transmissionsrör..... | Transmission tube..... | | | |
| X 42 | 1 | | | 1911-4439-01 | Drivaxel..... | Transmission shaft..... | | | |
| 45 | 1 | | | 1911-4217-01 | Skyddskåpa kpl..... | Safety cover..... | | Inkl. pos 46 - 50 | |
| 46 | 1 | | | 1911-3006-01 | • Skruv..... | • Screw..... | | | |
| 47 | 1 | | | 1911-3077-01 | • Kniv..... | • Line cutter..... | | | |
| 48 | 1 | | | 1911-4180-01 | • Skydd..... | • Protection..... | | | |
| 49 | 1 | | | 1911-3216-01 | • Bricka..... | • Washer..... | | | |
| 50 | 1 | | | 1911-3022-01 | • Mutter..... | • Nut..... | | | |
| 51 | 3 | | | 1911-3216-01 | Bricka..... | Washer..... | | | |
| 52 | 3 | | | 1911-3013-01 | Skruv..... | Screw..... | | | |
| 55 | 1 | | | 1911-3724-01 | Sele..... | Harness..... | | | |
| X 61 | 1 | | | 1911-4482-01 | Axelhylsa..... | Shaft sleeve..... | | | |
| X 62 | 1 | | | 1911-4519-01 | Rörkoppling kpl..... | Joint..... | | Inkl. pos 63 - 65 | |
| 63 | 1 | | | 9997-0640-12 | • Skruv..... | • Screw..... | | | |
| X 64 | 1 | | | 1911-4480-01 | • Låsraff..... | • Knob..... | | | |
| 65 | 1 | | | 1911-4231-01 | • Mutter..... | • Nut..... | | | |
| X 99 | 1 | | | 1911-3212-01 | Skyddsglasögon..... | Protective goggles..... | | Ej ill/not ill. | |



| Utgåva Issue | | Bildnr Picture No | | SB 27J- SB 29J RÖJARE SNÄCKVÄXEL | | SB 27J- SB 29J BRUSH CUTTER GEAR CASE | | Sida Page | |
|-----------------|---------------------|----------------------|--|--|-------------------------|---|-------------|---------------------|--|
| 2006- 12 | | 2151 | | | | | | 274 | |
| Pos. Fig. | Antal/Quantity | | | Art nr Part No | Benämning | Description | Sats Kit | Anmärkning Notes | |
| | 6116 6117 -12 | | | | | | | | |
| X | 1 | 1 | | 1911- 4193- 01 | Snäckväxel kpl..... | Gear case | | Inkl. pos 2 - 3 | |
| | 2 | 1 | | 1911- 4266- 01 | • Hylsa..... | • Collar..... | | | |
| | 3 | 1 | | 1911- 4267- 01 | • Ringmutter- övre..... | • Ring nut- upper | | | |
| | 4A | 1 | | 1911- 4530- 01 | Röjklina | Clearing blade | | 3T - Ø 255 mm | |
| | 4B | 1 | | 1911- 3179- 01 | Röjklina | Clearing blade | | 4T - Ø 255 mm | |
| | 5 | 1 | | 1911- 3680- 01 | Ringmutter- nedre | Ring nut- lower | | | |
| | 6 | 1 | | 1911- 4242- 01 | Stabilisator | Stabilizer | | | |
| | 7 | 1 | | 1911- 4228- 01 | Bricka | Washer..... | | | |
| | 8 | 1 | | 1911- 4232- 01 | Mutter..... | Nut | | | |
| | 11 | 1 | | 1911- 4148- 01 | Skärhuvud kpl..... | Nylon head assy..... | | | |
| | 11A | 1 | | 1911- 9008- 04 | Skärtråd (2.4 mm)..... | Cutting line (2.4 mm)..... | | 0.45 kg (90 m) | |
| | 11A | 1 | | 1911- 9008- 08 | Skärtråd (2.4 mm)..... | Cutting line (2.4 mm)..... | | 15 m | |
| | 12 | 2 | | 1911- 3875- 01 | • Trådhylsa | • Line inlet | | | |
| | 13 | 1 | | 1911- 3876- 01 | • Fjäder..... | • Spring | | | |