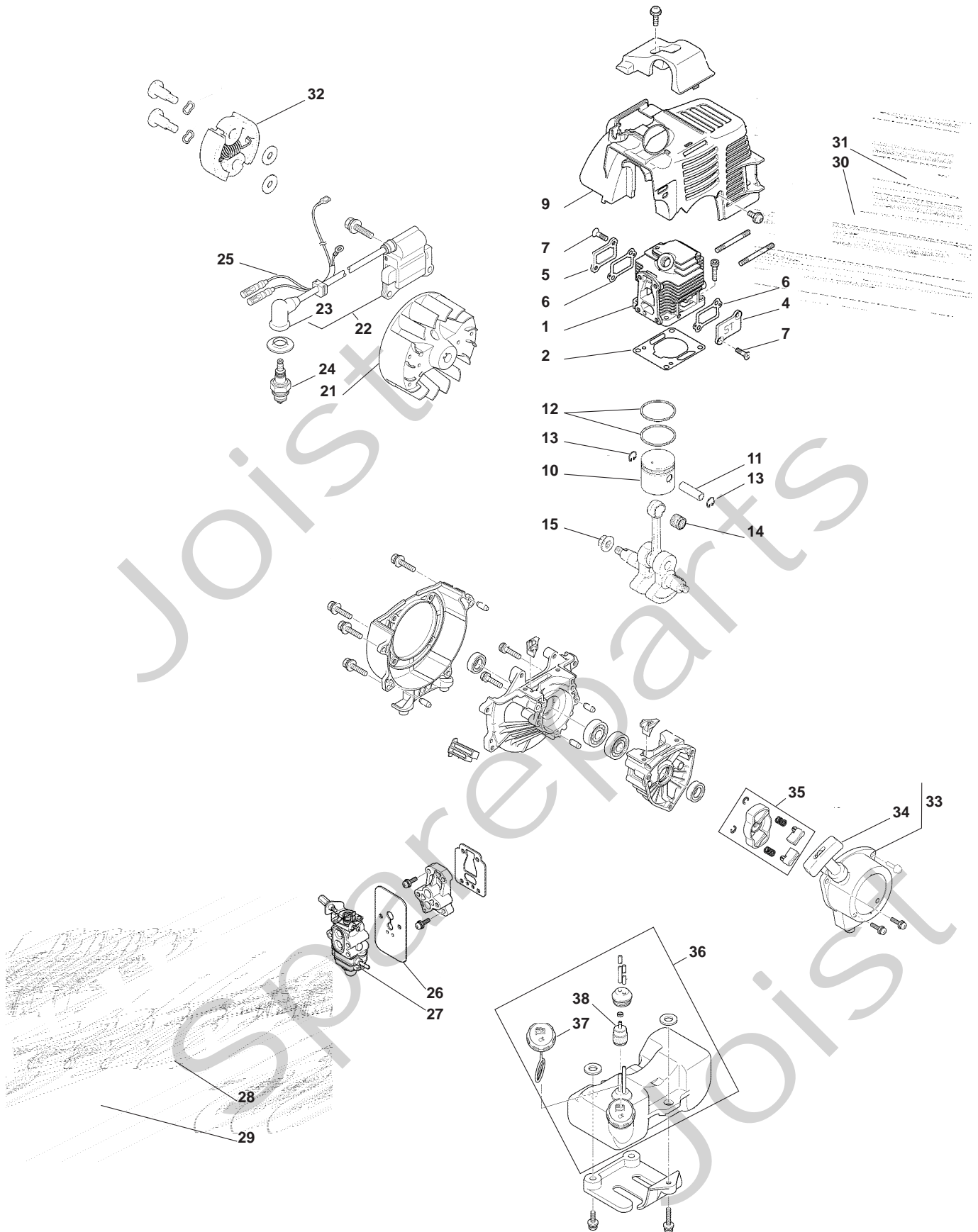


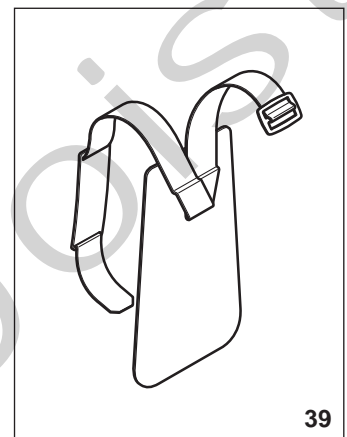
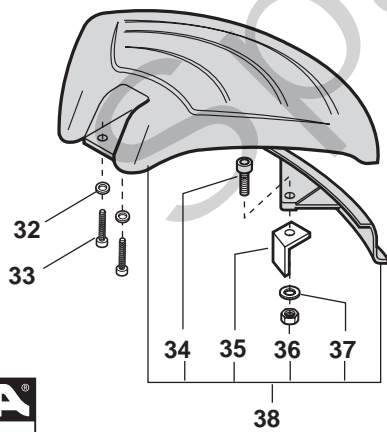
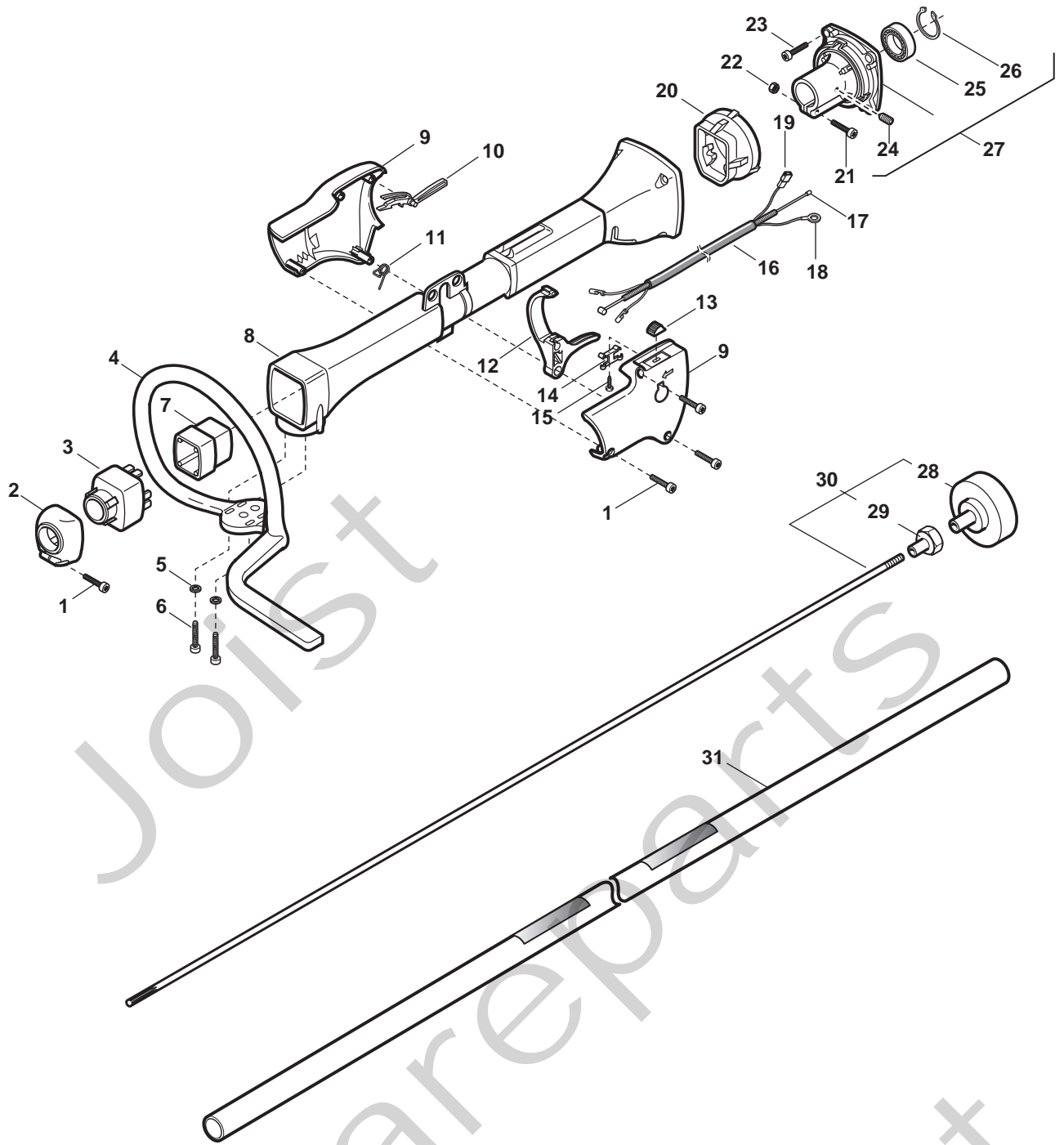
Genuine Spare Parts



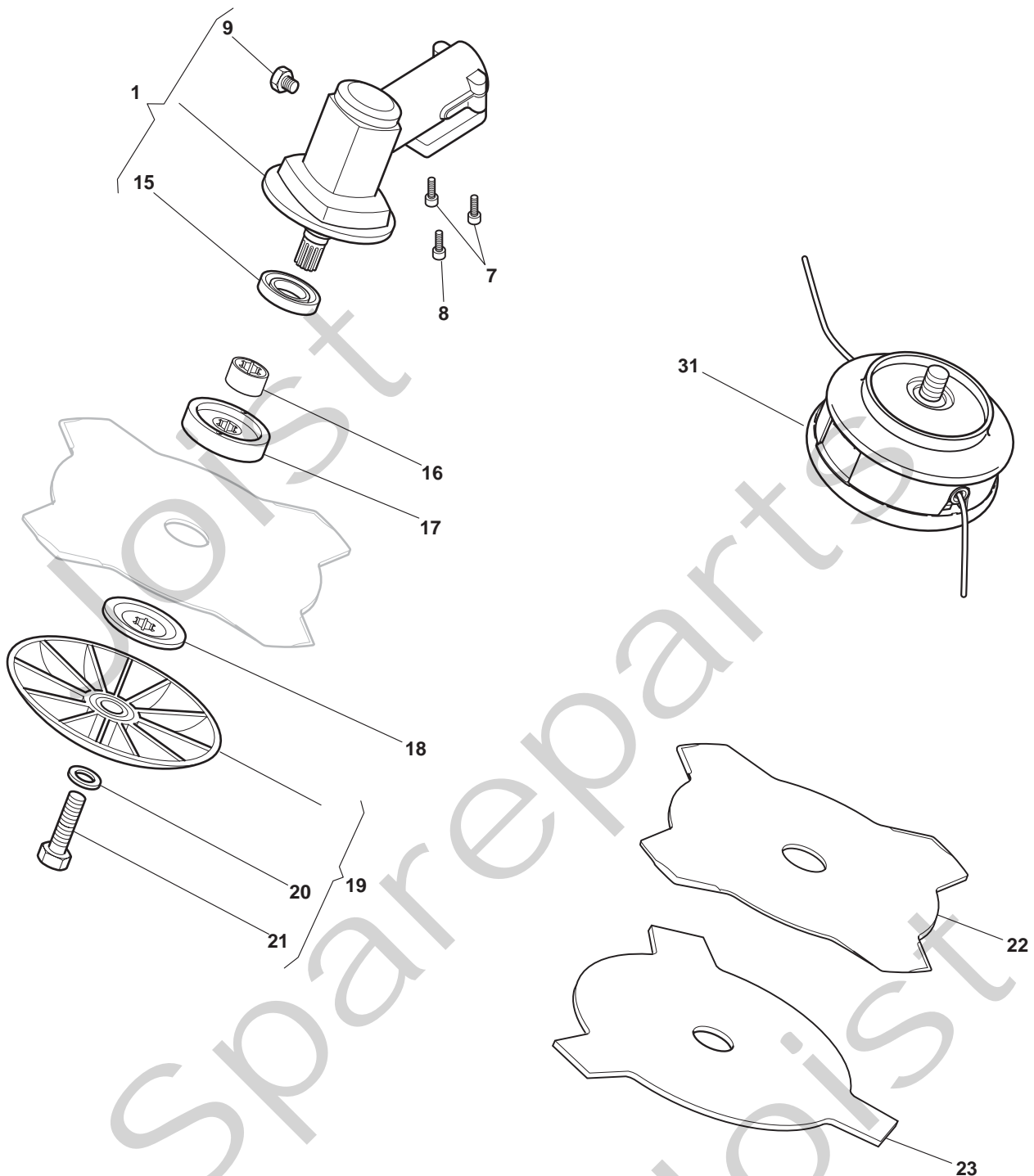
Joist
Spareparts
Joist



Utgåva Issue 2008- 12		Bildnr Picture No 2510		SB 35- SB 35D RÖJARE MOTOR		SB 35- SB 35D BRUSH CUTTER ENGINE		Sida Page 312	
Pos. Fig.	Antal/Quantity			Art nr Part No	Benämning	Description	Sats Kit	Anmärkning Notes	
	3525 3526 -11								
X	1	1		123071011/0	Cylinder	Cylinder			
X	2	1		123280031/0	Packning	Gasket			
X	4	1		123109539/0	Lock	Cover			
X	5	1		123109540/0	Lock	Cover			
X	6	2		123280032/0	Packning	Gasket			
X	7	4		123878054/0	Skruv	Screw			
X	9	1		123106023/0	Cylinderkåpa- gul	Cylinder cover- yellow			
X	10	1		123590005/0	Kolv	Piston			
X	11	1		123760002/0	Kolvbult	Piston pin			
X	12	2		123204006/0	Kolvring	Piston ring			
X	13	2		123202003/0	Låsring	Lock ring			
X	14	1		123235004/0	Nållager	Needle bearing			
X	15	1		123120005/0	Mutter	Nut			
X	21	1		123880006/0	Svängjul	Flywheel			
X	22	1		123044009/0	Elektronikspole	Electronic coil		Inkl. pos 23	
X	23	1		123053002/0	• Tändstiftshatt	• Spark plug cap			
X	24	1		23051000/0	Tändstift	Spark plug			
X	25	1		183065022/0	Jordkabel	Earth cable			
X	26	1		123280033/0	Packning	Gasket			
X	27	1		123054023/0	Förgasare	Carburettor			
X	28	1		123220009/0	Lufffilter	Air filter			
X	29	1		183090005/0	Lufffilterkåpa	Air filter cover			
X	30	1		123280029/0	Packning	Gasket			
X	31	1		183740007/0	Ljuddämpare	Muffler			
X	32	1		183215004/0	Koppling	Clutch unit			
X	33	1		183058022/0	Start	Starter		Inkl. pos 34	
X	34	1		123300007/0	• Starthandtag	• Starter handle			
X	35	1		123082003/0	Startkopp	Starter cup			
X	36	1		183733006/0	Bränsletank	Fuel tank		Inkl. pos 37- 38	
X	37	1		183790008/0	• Tanklock	• Tank cap			
X	38	1		183520004/0	• Bränslefilter	• Fuel intake filter			



Utgåva Issue		Bildnr Picture No		SB 35 RÖJARE		SB 35 BRUSH CUTTER		Sida Page	
2008- 12		1970						306	
Pos. Fig.	Antal/Quantity				Art nr Part No	Benämning	Description	Sats Kit	Anmärkning Notes
	3525 -11								
	1	4			2123030	Skruv.....	Screw.....		
	2	1			3750330	Stöd- främre	Housing support- front.....		
	3	1			3744290	Vibrationsdämpare- fr.	Shock absorber- front		
	4	1			4563560	Handtag- främre.....	Handle- front		
	5	2			2312150	Bricka	Washer.....		
	6	2			2123140	Skruv	Screw.....		
	7	1			3750340	Reduktionsdistans	Step- down spacer		
	8	1			4563531	Transmissionshus	Transmission housing		
	9	1			8563540	Handtagshalvor	Handgrip housing		
	10	1			3743630	Säkerhetsspärr	Safety lever		
	11	1			3654490	Fjäder.....	Spring		
	12	1			3743620	Gasreglage.....	Throttle lever.....		
	13	1			3749270	Stoppknapp	Stop knob		
	14	1			3612710	Stopplatta	Stop plate.....		
	15	1			2123070	Skruv	Screw.....		
	16	1			3786200/1	Kabelhölje.....	Wire sheath.....		
X	17	1			123066012/0	Gaswire	Throttle cable		
X	18	1			123065030/0	Jordkabel.....	Earth cable		
X	19	1			123065029/0	Kabel	Cable.....		
	20	1			3744300	Vibrationsdämpare- ba.....	Shock absorber- rear.....		
	21	1			2135150	Skruv	Screw.....		
	22	1			2432030	Mutter	Nut		
	23	4			2135160	Skruv	Screw.....		
	24	1			2126050	• Skruv	• Screw		
	25	1			3112170	• Kullager	• Ball bearing		
	26	1			3353080	• Låsring	• Circlip.....		
X	27	1			3L8520990/3	Transm.nav	Transm.hub		Inkl. pos 24 - 26
	28	1			4121861/1	• Kopplingshjul.....	• Clutch drum		
	29	1			3642191	• Lagernav	• Bearing hub.....		
	30	1			4251400	Drivaxel kpl.....	Transmission shaft.....		Inkl. pos 28 - 29
	31	1			4251204	Drivaxelrör.....	Transmission pipe		Ø 26 mm
	32	2			2312150	Bricka	Washer.....		
	33	2			2135060	Skruv	Screw.....		
	34	1			2135030	• Skruv	• Screw		
	35	1			3615000	• Kniv	• Line cutter		
	36	1			2432040	• Mutter	• Nut		
	37	1			2312150	• Bricka	• Washer		
	38	1			8563570	Stänkskydd kpl	Safety cover assy		Inkl. pos 34 - 37
	39	1			4253460	Sele	Harness.....		
	98	1			9959905	Skyddsglasögon	Protective goggles		Tillbehör/accessory



Utgåva Issue 2008-12		Bildnr Picture No 1488C		SB 35- SB 35D RÖJARE SNÄCKVÄXEL		SB 35- SB 35D BRUSH CUTTER GEAR CASE		Sida Page 310	
Pos. Fig.	Antal/Quantity				Art nr Part No	Benämning	Description	Sats Kit	Anmärkning Notes
	3525 3526 -11								
1	1				4252780/1	Snäckväxel kpl.....	Gear case assy.....		Inkl. pos 9, 15
7	2				2135050	Skruv.....	Screw.....		
8	1				2653090	Skruv.....	Screw.....		
9	1				2653460	• Skruv.....	• Screw.....		
15	1				3121170	• Tätningsring.....	• Oil seal.....		
16	1				3641700/1	Krage.....	Collar.....		
17	1				3641640	Ringmutter- övre.....	Ring nut- upper.....		
18	1				3612640	Ringmutter- nedre.....	Ring nut- lower.....		
19	1				4560610	Stabilisator kpl.....	Stabilizer assy.....		Inkl. pos 20 - 21
20	1				2321230	• Bricka.....	• Washer.....		
21	1				2653170	• Skruv.....	• Screw.....		
22	1				4611880	Röjklina.....	Blade.....		4T - Ø 255 mm
23	1				6031172	Röjklina.....	Blade.....		3T - Ø 255 mm
31	1				4353240/1	Skärhuvud kpl.....	Cutting head assy.....		M8x1,25 SX male
99	1				1911-9008-04	Skärtråd (2.4 mm).....	Cutting line (2.4 mm).....		0.45 kg (90 m)
99	1				1911-9008-08	Skärtråd (2.4 mm).....	Cutting line (2.4 mm).....		15 m