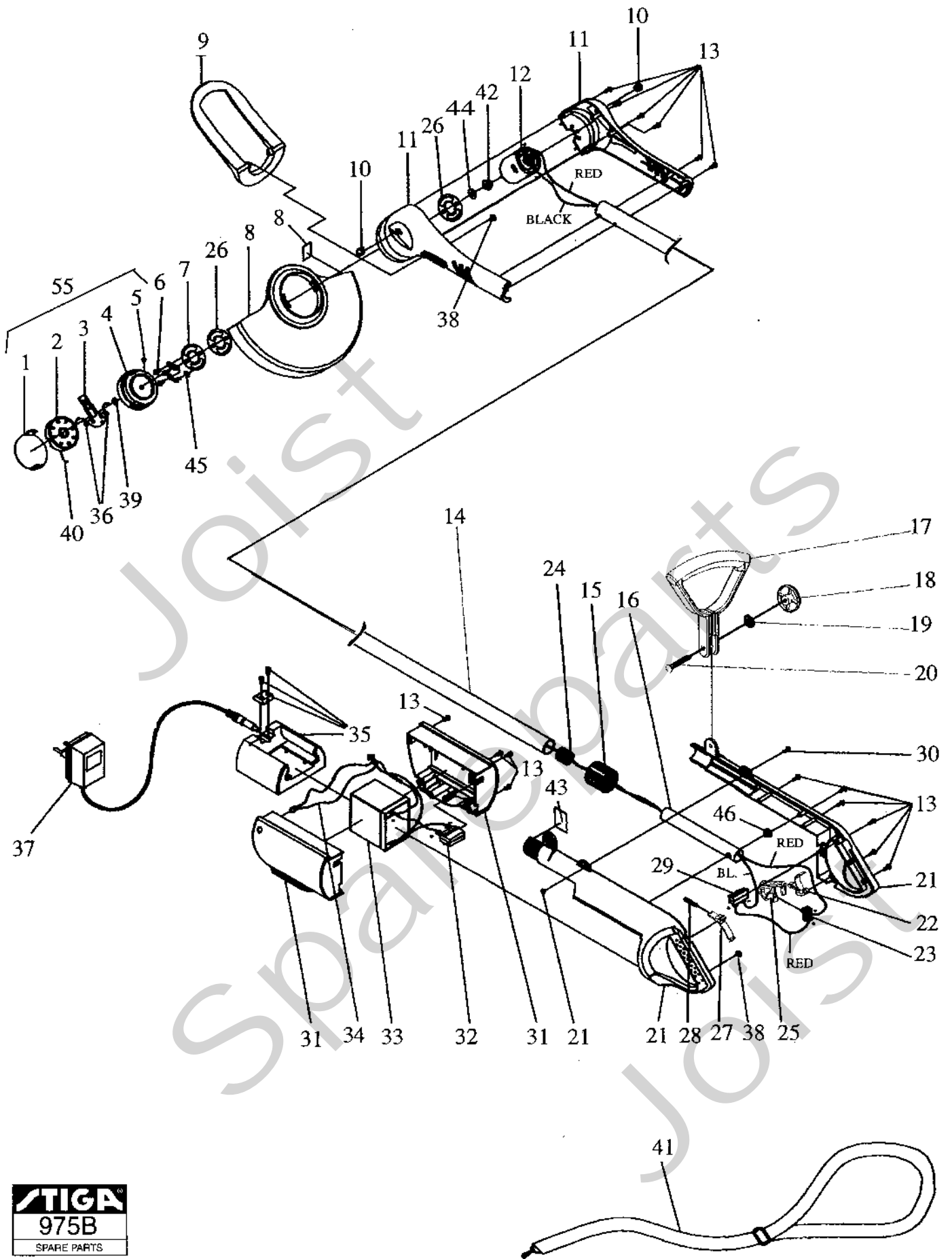


Genuine Spare Parts



Joist
Spareparts
Joist



| Utgåva Issue | | Bildnr Picture No | | ST 1200 BATTERITRIMMER | ST 1200 BATTERY TRIMMER | Sida Page | | |
|-----------------|----------------|----------------------|--|---------------------------|----------------------------|------------------------------|----------------------|---------------------|
| 2003-43 | | 975B | | | | 270 | | |
| Pos. Fig. | Antal/Quantity | | | Art nr Part No | Benämning | Description | Sats Kit | Anmärkning Notes |
| | 1200 | | | | | | | |
| 1 | 1 | | | 1117-2153-01 | • Spollock..... | • Spool cover..... | | |
| 2 | 1 | | | 1911-9024-01 | • Spole m.tråd..... | • Spool w.line..... | | |
| 3 | 1 | | | 1117-2160-01 | • Matarknapp..... | • Feeding driver..... | | |
| 4 | 1 | | | 1117-2209-01 | • Spolhållare..... | • Spool base..... | | |
| 5 | 1 | | | 1117-2210-01 | • Hylsa..... | • Grommet..... | | |
| 6 | 4 | | | 1117-2178-01 | Skruv..... | Screw..... | | |
| 7 | 1 | | | 1117-2157-01 | Motorfäste..... | Motor mounting plate..... | | |
| 8 | 1 | | | 1117-2155-01 | Skyddskåpa kpl..... | String protector assy..... | | |
| 9 | 1 | | | 1117-2158-01 | Hållare..... | Edge cutting retainer..... | | |
| 10 | 2 | | | 1117-2161-01 | Stoppknapp..... | Retainer stop..... | | |
| 11 | 1 | | | 1117-2201-01 | Motorhus kpl..... | Motor housing assy..... | | |
| 12 | 1 | | | 1117-2164-01 | Motor..... | Motor..... | | |
| 13 | 16 | | | 1117-2181-01 | Skruv..... | Screw..... | | |
| 14 | 1 | | | 1117-2189-01 | Rör..... | Steel tube..... | | |
| 15 | 1 | | | 1117-2211-01 | Hylsa..... | Sleeve..... | | |
| 16 | 1 | | | 1117-2188-01 | Rör..... | Steel tube..... | | |
| 17 | 1 | | | 1117-2185-01 | Handtag..... | Handle..... | | |
| 18 | 1 | | | 1117-2191-01 | Låsraff..... | Knob..... | | |
| 19 | 1 | | | 1117-2183-01 | Bricka..... | Washer..... | | |
| 20 | 1 | | | 1117-2179-01 | Skruv..... | Screw..... | | |
| 21 | 1 | | | 1117-2202-01 | Handtag kpl..... | Holder body assy..... | | |
| 22 | 1 | | | 1117-2156-01 | Spärrknapp..... | Release button..... | | |
| 23 | 1 | | | 1117-2166-01 | Brytare..... | Switch..... | | |
| 24 | 1 | | | 1117-2168-01 | Kablage-motor..... | Motor cord set..... | | |
| 25 | 1 | | | 1117-2194-01 | Avtryckare..... | Trigger..... | | |
| 26 | 2 | | | 1117-2171-01 | Isolerbricka..... | Motor insulation fin..... | | |
| 27 | 1 | | | 1117-2159-01 | Startspärr..... | Security..... | | |
| 28 | 1 | | | 1117-2187-01 | Fjäder..... | Spring..... | | |
| 29 | 1 | | | 1117-2170-01 | Anslutning..... | Plug set..... | | |
| 30 | 1 | | | 1117-2195-01 | Skruv..... | Screw..... | | |
| 31 | 1 | | | 1117-2200-01 | Batterihus kpl..... | Battery housing assy..... | | |
| 32 | 1 | | | 1117-2165-01 | Anslutningskontakt..... | Receptable set..... | | |
| 33 | 1 | | | 1117-2162-01 | Batteri..... | Battery..... | 12 Volt - 7 Ah | |
| 34 | 1 | | | 1117-2169-01 | Batterikablage..... | Battery cord set..... | | |
| 35 | 1 | | | 1117-2173-01 | Väggfäste kpl..... | Charging stand assy..... | | |
| 36 | 2 | | | 1117-2184-01 | Fjäder..... | Metal spring..... | | |
| 37 | 1 | | | 9400-0279-01 | Laddningsaggregat..... | Charger..... | | |
| 38 | 2 | | | 1117-2212-01 | Skruv..... | Screw..... | | |
| 39 | 1 | | | 1117-2176-01 | • Mutter..... | • Nut..... | | |
| 40 | 1 | | | 1911-9006-04 | Skärtråd (1.6 mm)..... | Cutting line (1.6 mm)..... | 0.45 kg (200 m) | |
| 40 | 1 | | | 1911-9006-08 | • Skärtråd (1.6 mm)..... | • Cutting line (1.6 mm)..... | 15 m | |
| 41 | 1 | | | 1117-2213-01 | Bärrem..... | Strap..... | | |
| 42 | 1 | | | 1117-2196-01 | Kopparmutter..... | Copper nut..... | | |
| 43 | 1 | | | 1117-2197-01 | Kudde..... | Pad..... | | |
| 44 | 1 | | | 1117-2198-01 | Fläns..... | Fin..... | | |
| 45 | 4 | | | 1117-2199-01 | Bricka..... | Washer..... | | |
| 46 | 1 | | | 1117-2203-01 | Plastmutter..... | Plastic nut..... | | |
| 55 | 1 | | | 1911-9025-01 | Skärhuvud kpl..... | Cutter head assy..... | Inkl. pos 1-5, 39-40 | |