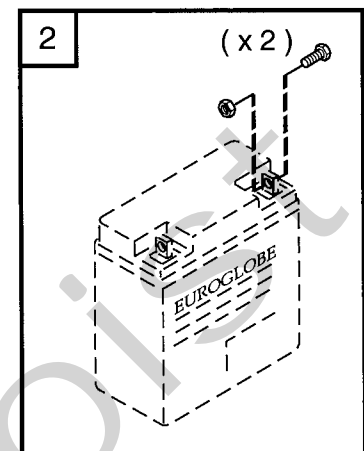
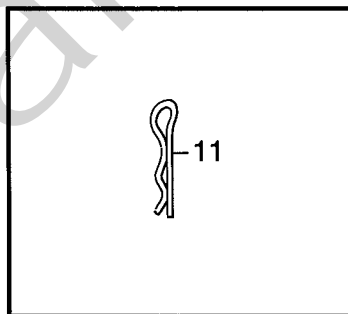
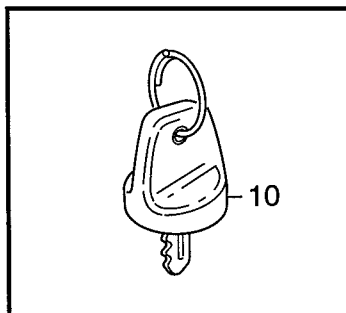
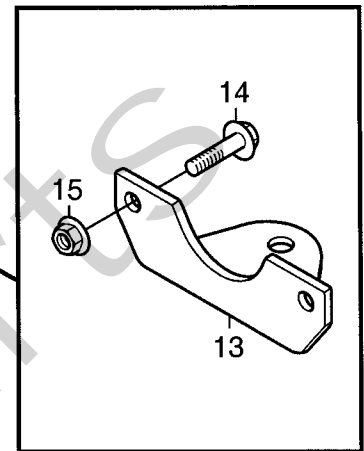
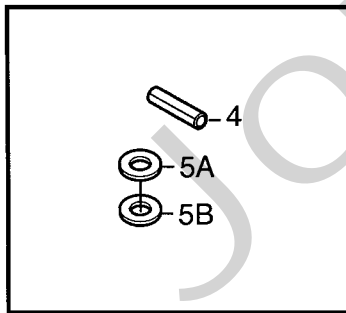
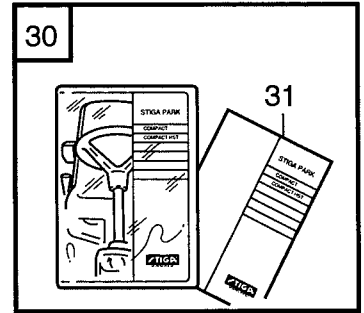
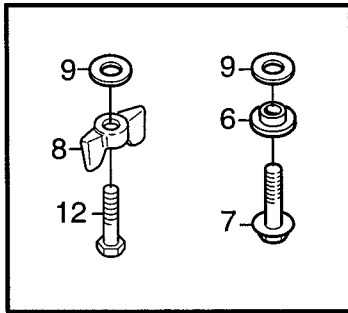
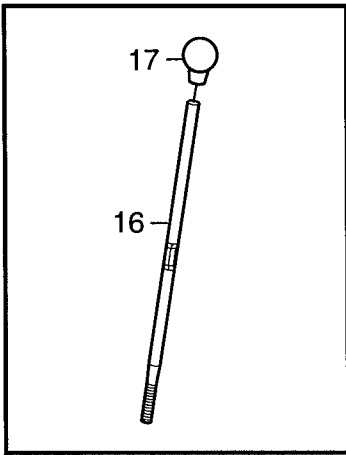


# Genuine Spare Parts

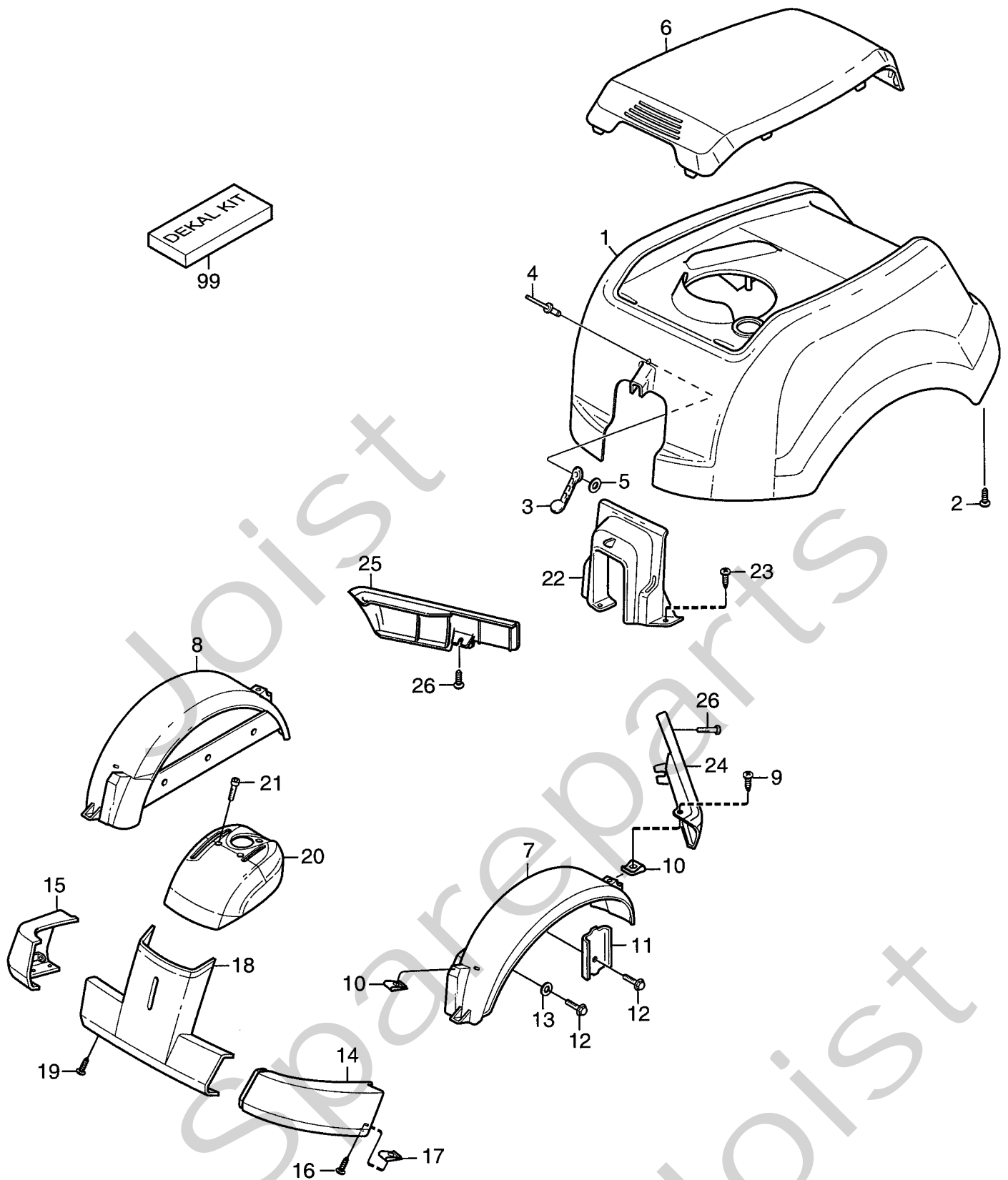
---



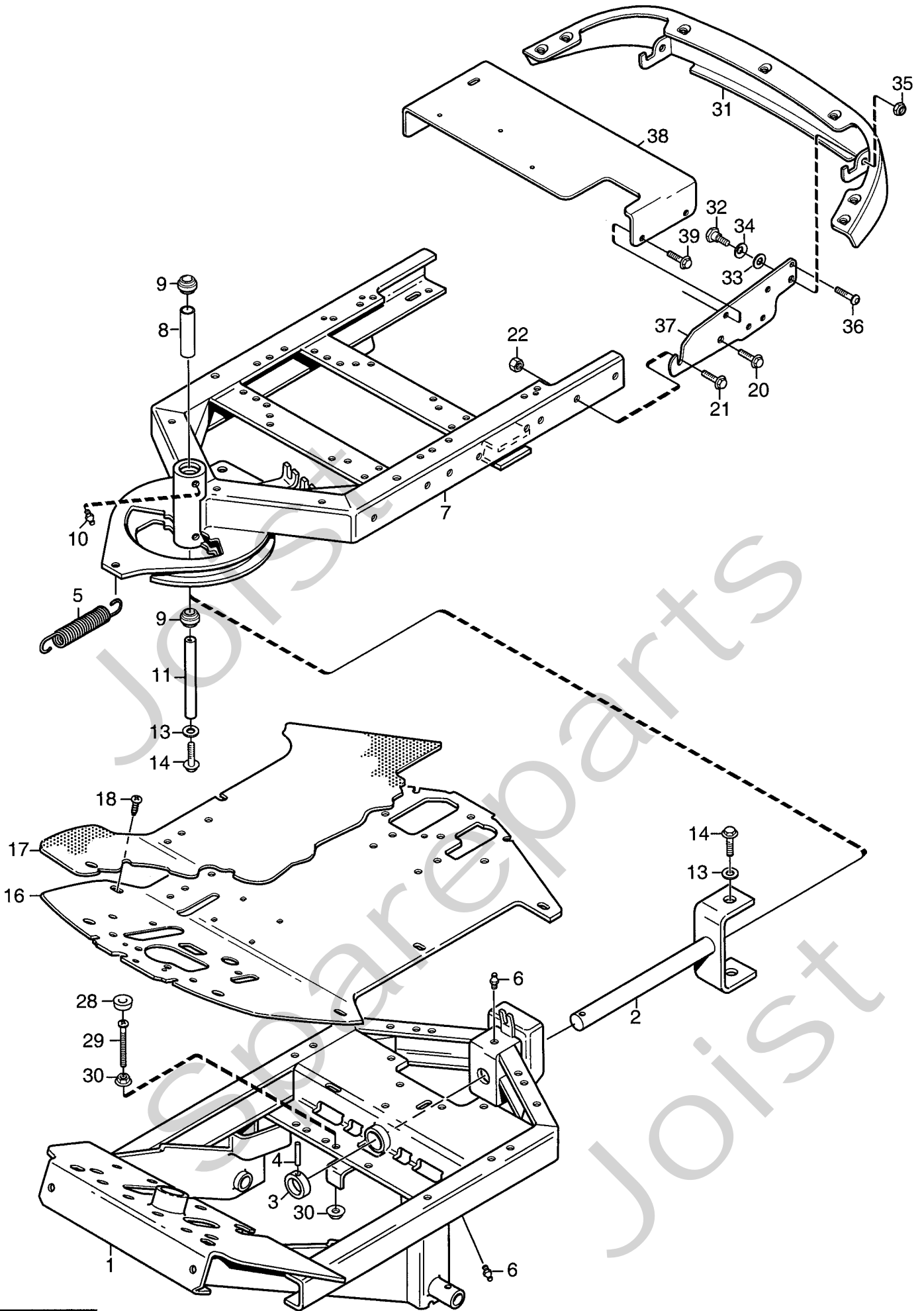
Joist  
Spareparts  
Joist



Utgåva Issue		Bildnr Picture No			PARK COMPACT MONTERINGSDETALJER	PARK COMPACT ASSEMBLY PARTS	Sida Page		
2006-11		1638B					2		
Pos. Fig.	Antal/Quantity				Art nr Part No	Benämning	Description	Sats Kit	Anmärkning Notes
	6101	6102 6103	6104						
0		1	1		1134-4249-05	Monteringsdetaljer.....	Assembly parts .....		Inkl. pos 1 - 15
0	1				1134-4249-06	Monteringsdetaljer.....	Assembly parts .....		Inkl. pos 1 - 17
2	1	1	1		1134-6113-01	• Batteriskruvar .....	• Battery screws .....		
4	1	1	1		9595-0262-00	• Spännstift .....	• Locating pin .....		
5A	1	1	1		9699-0103-02	• Shims .....	• Flat washer .....	0.5 mm	
5B	1	1	1		9699-0114-02	• Shims .....	• Flat washer .....	1.0 mm	
6	2	2	2		1134-4185-01	• Ansatsbricka .....	• Flange washer .....		
7	2	2	2		9959-0820-16	• Skruv .....	• Screw .....		
8	2	2	2		1134-4481-01	• Vingmutter.....	• Wing nut .....		
9	4	4	4		9699-0056-02	• Planbricka.....	• Flat washer .....		
10	2	2	2		1134-4734-01	• Tändningsnyckel.....	• Ignition key .....		
11	2	2	2		9598-0003-02	• Låsnål.....	• Spring pin .....		
12	2	2	2		9997-0820-16	• Skruv .....	• Screw .....		
13	1	1	1		1134-5512-01	• Dragplåt.....	• Towing plate .....		
14	2	2	2		9959-0820-16	• Skruv .....	• Screw .....		
15	2	2	2		9739-0831-22	• Mutter.....	• Nut .....		
16	1				1134-5482-01	• Växelspak .....	• Gear shift lever .....		
17	1				1134-2551-01	• Reglageknopp.....	• Knob .....		
X 30	1	1	1		1134-3771-85	Mapp m.trycksaker.....	Folder w.manuals .....		
X 31	1	1	1		8211-0209-13	• Säkerhetsföreskrifter .....	• Safety regulations .....		
X 31	1	1	1		8211-0321-10	• Certifikat .....	• Certificate .....		
X 31	1	1	1		8211-0544-02	• Servicebok.....	• Service book .....		
X 31	1	1	1		8211-0553-01	• Bruksanvisning .....	• Owner's manual .....		
X 31	1	1	1		8211-0554-01	• Bruksanvisning .....	• Owner's manual .....		
X 31	1	1	1		8211-1024-04	• Monteringsanvisning .....	• Assy instruction .....		
X 31	1	1	1		8211-2002-03	• Garantikort.....	• Warranty card .....		



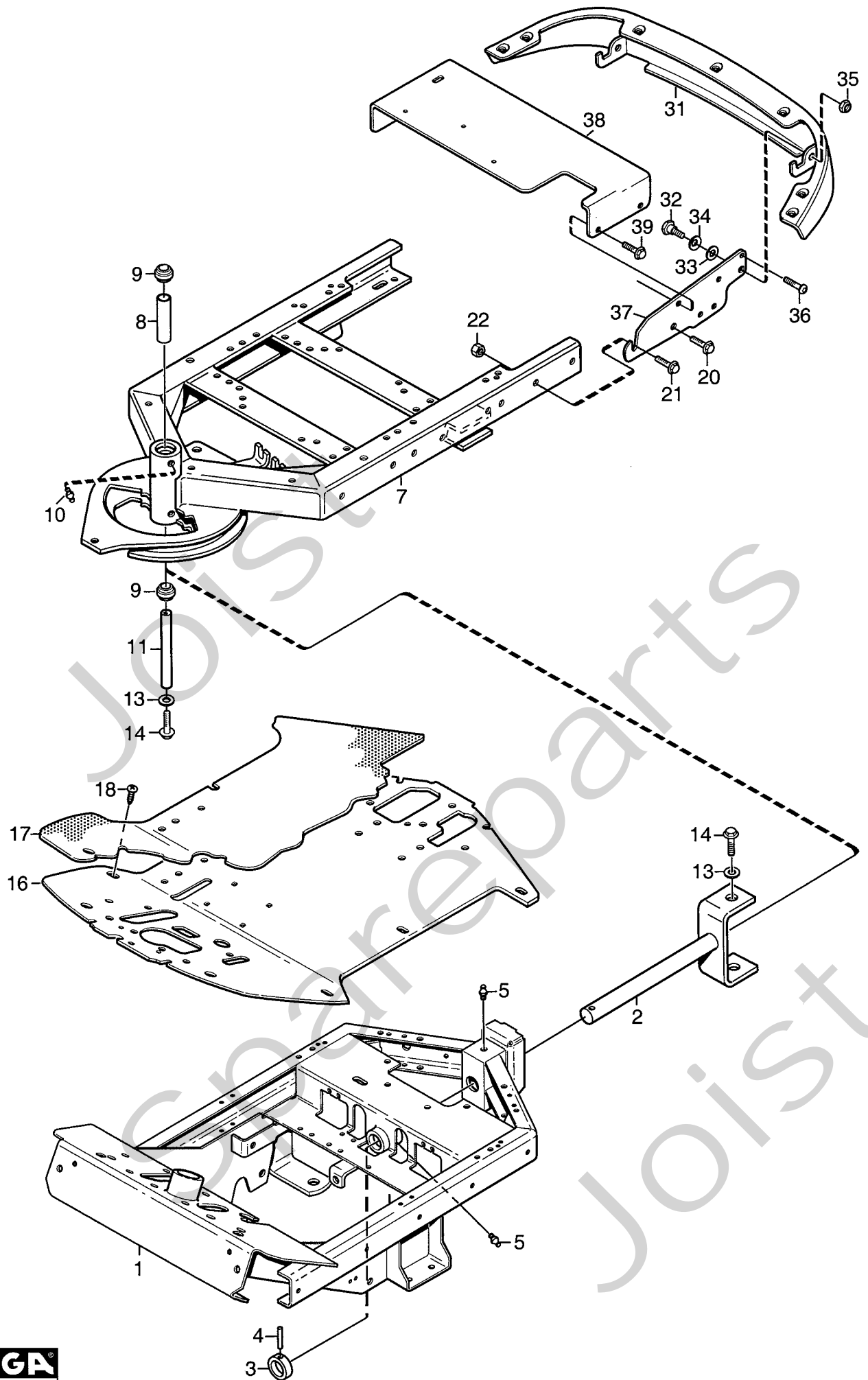
Utgåva Issue		Bildnr Picture No			PARK COMPACT KAROSS	PARK COMPACT BODY WORK	Sida Page	
2006-11		1658A					4	
Pos. Fig.	Antal/Quantity			Art nr Part No	Benämning	Description	Sats Kit	Anmärkning Notes
	6101	6102 6103	6104					
1	1	1	1	1134-5263-02	Motorhuv- gul.....	Engine hood- yellow.....		
2	7	7	7	9838-9530-12	Skruv.....	Screw.....		
3	1	1	1	1134-9028-01	Gummistropp- sats.....	Rubber strap kit.....		Sats 3 st/kit of 3
4	1	1	1	9632-0516-00	Popnit.....	Pop rivet.....		
5	1	1	1	9699-0120-02	Bricka.....	Washer.....		
6	1	1	1	1134-5264-01	Motorlucka- grå.....	Engine cover- grey.....		
7	1	1	1	1134-5308-01	Stänkskärm vä- grå.....	Mud guard LH- grey.....		
8	1	1	1	1134-5308-02	Stänkskärm hö- grå.....	Mud guard RH- grey.....		
9	4	4	4	9893-0616-16	Skruv.....	Screw.....		
10	4	4	4	1134-4176-01	Clips.....	Clips.....		
11	2	2	2	1134-0225-00	Stödplåt.....	Support plate.....		
12	6	6	6	9945-0816-16	Skruv.....	Screw.....		
13	4	4	4	9699-0056-02	Planbricka.....	Flat washer.....		
14	1	1	1	1134-5306-01	Stötfångare, front- vä.....	Bumper, front- LH.....		
15	1	1	1	1134-5306-02	Stötfångare, front- hö.....	Bumper, front- RH.....		
16	4	4	4	9893-0616-16	Skruv.....	Screw.....		
17	2	2	2	1134-4176-01	Clips.....	Clips.....		
18	1	1	1	1134-5305-01	Front- nedre.....	Front plate- lower.....		
19	2	2	2	9893-0616-16	Skruv.....	Screw.....		
20	1			1134-5320-01	Front- övre.....	Front- upper.....		
20		1	1	1134-5320-02	Front- övre.....	Front- upper.....		
21	2	2	2	9946-0525-16	Skruv.....	Screw.....		
X 22	1	1		1134-5265-02	Huvstöd.....	Hood support.....		
X 22			1	1134-6241-01	Huvstöd.....	Hood support.....		
23	3	3	3	9893-0616-16	Skruv.....	Screw.....		
24	1	1	1	1134-3970-05	Kantlist- vä, grå.....	Moulding- LH, grey.....		
25	1	1	1	1134-3970-02	Kantlist- hö, grå.....	Moulding- RH, grey.....		
26	2	2	2	9893-0616-16	Skruv.....	Screw.....		
99	1			1134-5592-01	Dekalsats.....	Label kit.....		
99		1		1134-5592-02	Dekalsats.....	Label kit.....		
X 99			1	1134-5592-03	Dekalsats.....	Label kit.....		



Utgåva Issue		Bildnr Picture No		PARK COMPACT 2WD RAM		PARK COMPACT 2WD FRAME		Sida Page	
2006-11		1669B						6	
Pos. Fig.	Antal/Quantity			Art nr Part No	Benämning	Description	Sats Kit	Anmärkning Notes	
	6101	6102 6103							
1	1	1		1134-5315-02	Ram-främre .....	Frame-front .....			
2	1	1		1134-3963-02	• Midjegaffel .....	• Clevis .....			
3	1	1		1134-0031-00	• Ledaxelstopp .....	• Pivot shaft stop .....			
4	1	1		9595-0262-00	• Spännstift .....	• Locating pin .....			
5	1	1		1134-2171-01	Fjäder .....	Spring .....			
6	2	2		9501-0500-00	Smörjnippel .....	Grease joint .....			
7	1	1		1134-6081-01	Ram-bakre .....	Frame-rear .....			
8	1	1		1134-5705-01	• Distans .....	• Spacer .....			
9	2	2		9547-0001-00	• Ledlager .....	• Bearing .....			
10	2	2		9501-0500-00	• Smörjnippel .....	• Grease joint .....			
11	1	1		1134-5988-01	Centrumaxel .....	Centre shaft .....			
13	2	2		9699-0035-02	Planbricka .....	Flat washer .....			
14	2	2		9959-1025-16	Skruv .....	Screw .....			
16	1	1		1134-5294-01	Durk .....	Floor plate .....			
17	1			1134-5513-01	Durkmatta .....	Floor mat .....			
17		1		1134-5514-03	Durkmatta .....	Floor mat .....			
18	2	2		9893-0616-16	Skruv .....	Screw .....			
20	2	2		9945-0816-16	Skruv .....	Screw .....			
21	2	2		9959-0820-16	Skruv .....	Screw .....			
22	2	2		9739-0831-22	Mutter .....	Nut .....			
28	1	1		1134-4975-01	Gummibuffert .....	Rubber block .....			
29	1	1		9950-0570-12	Skruv .....	Screw .....			
30	2	2		9739-0531-22	Mutter .....	Nut .....			
31	1	1		1134-5337-01	Stötfångare-bak .....	Bumper-rear .....			
32	2	2		1134-0240-00	Ansatsskruv .....	Shoulder screw .....			
33	2	2		1134-4242-01	Distansbricka .....	Spacer washer .....			
34	2	2		9665-0002-00	Brickfjäder .....	Bowed washer .....			
35	2	2		9747-0831-02	Mutter .....	Lock nut .....			
36	2	2		9943-0516-16	Skruv .....	Screw .....			
37	2	2		1134-5345-01	Stag .....	Attachment .....			
38	1	1		1134-5344-01	Batterihylla .....	Battery shelf .....			
39	4	4		9945-0816-16	Skruv .....	Screw .....			

X

Spares Parts Joist

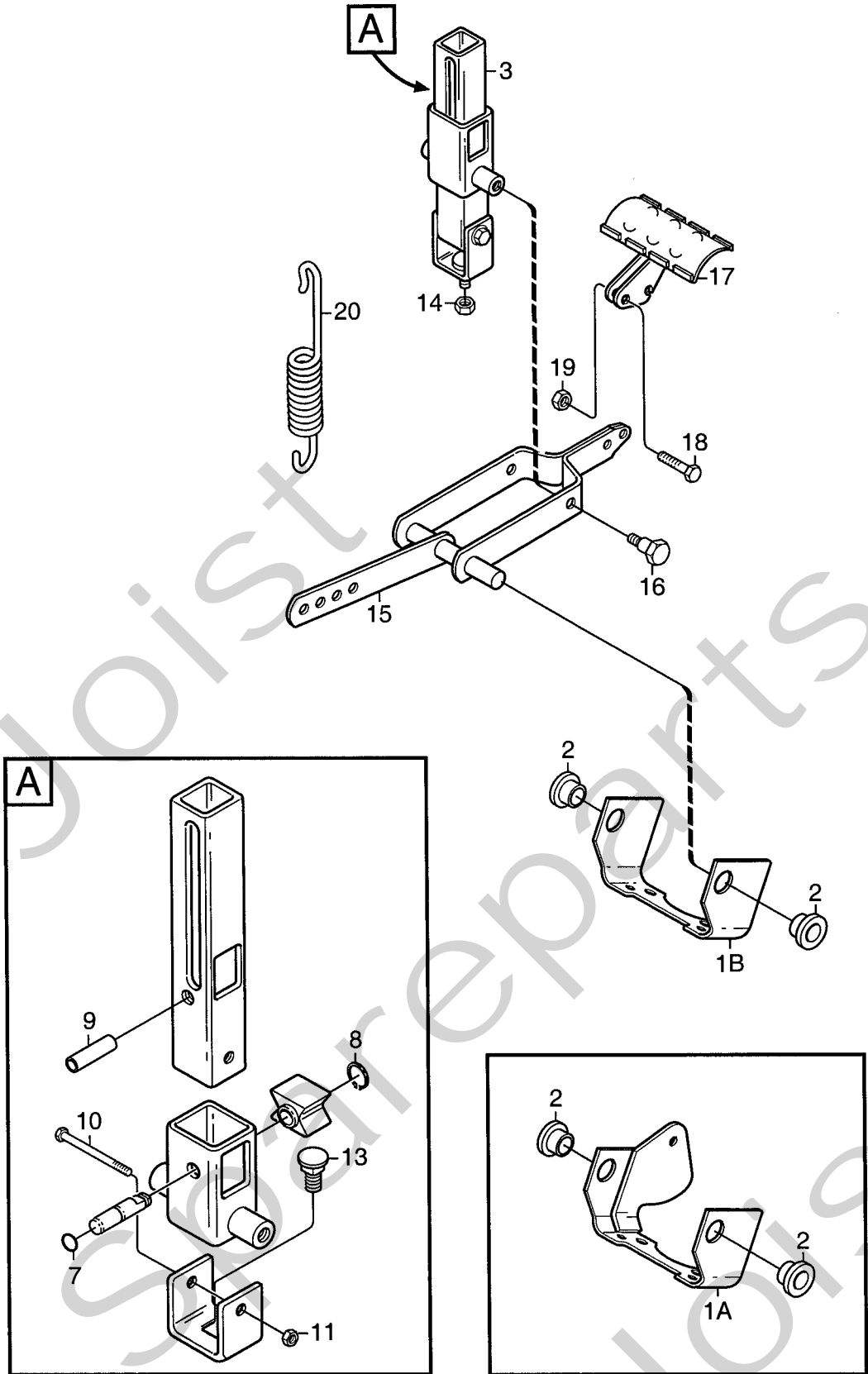




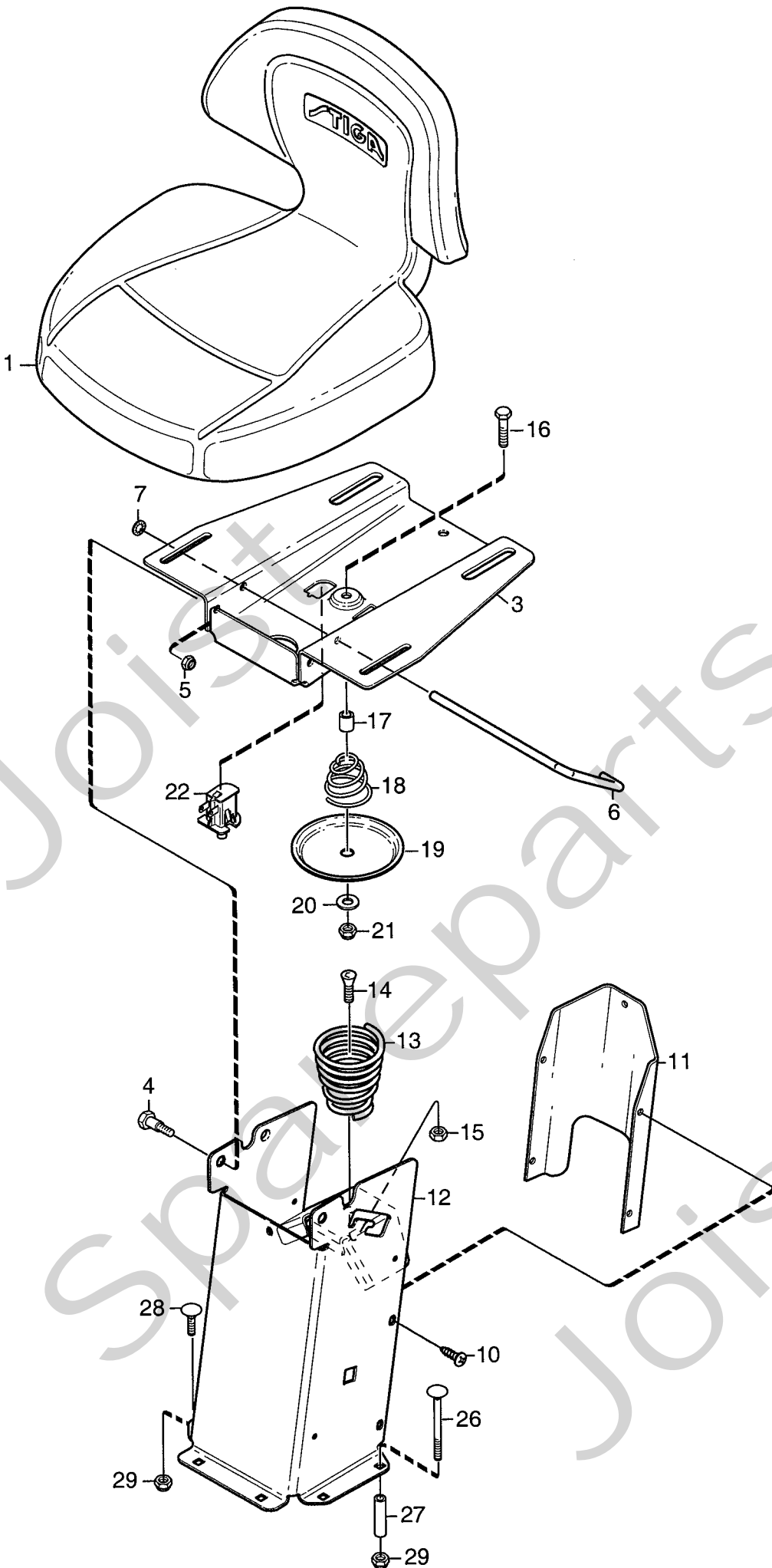
Utgåva Issue		Bildnr Picture No		PARK COMPACT 4WD RAM		PARK COMPACT 4WD FRAME		Sida Page	
2006-11		2024						8	
Pos. Fig.	Antal/Quantity			Art nr Part No	Benämning	Description	Sats Kit	Anmärkning Notes	
	6104								
1	1			1134-5656-01	Ram-främre .....	Frame-front .....			
2	1			1134-3963-02	• Midjegaffel .....	• Clevis .....			
3	1			1134-0031-00	• Ledaxelstopp .....	• Pivot shaft stop .....			
4	1			9595-0262-00	• Spännstift .....	• Locating pin .....			
5	2			9501-0500-00	• Smörjnippel .....	• Grease joint .....			
7	1			1134-6081-01	Ram-bakre .....	Frame-rear .....			
8	1			1134-5705-01	• Distans .....	• Spacer .....			
9	2			9547-0001-00	• Ledlager .....	• Bearing .....			
10	2			9501-0500-00	• Smörjnippel .....	• Grease joint .....			
11	1			1134-5988-01	Centrumaxel .....	Centre shaft .....			
13	2			9699-0035-02	Planbricka .....	Flat washer .....			
14	2			9959-1025-16	Skruv .....	Screw .....			
16	1			1134-5294-01	Durk .....	Floor plate .....			
17	1			1134-5514-03	Durkmatta .....	Floor mat .....			
18	2			9893-0616-16	Skruv .....	Screw .....			
20	2			9945-0816-16	Skruv .....	Screw .....			
21	2			9959-0820-16	Skruv .....	Screw .....			
22	2			9739-0831-22	Mutter .....	Nut .....			
31	1			1134-5337-01	Stötfångare-bak .....	Bumper-rear .....			
32	2			1134-0240-00	Ansattsskruv .....	Shoulder screw .....			
33	2			1134-4242-01	Distansbricka .....	Spacer washer .....			
34	2			9665-0002-00	Brickfjäder .....	Bowed washer .....			
35	2			9747-0831-02	Mutter .....	Lock nut .....			
36	2			9943-0516-16	Skruv .....	Screw .....			
37	2			1134-5345-01	Stag .....	Attachment .....			
38	1			1134-5344-01	Batterihylla .....	Battery shelf .....			
39	4			9945-0816-16	Skruv .....	Screw .....			

X

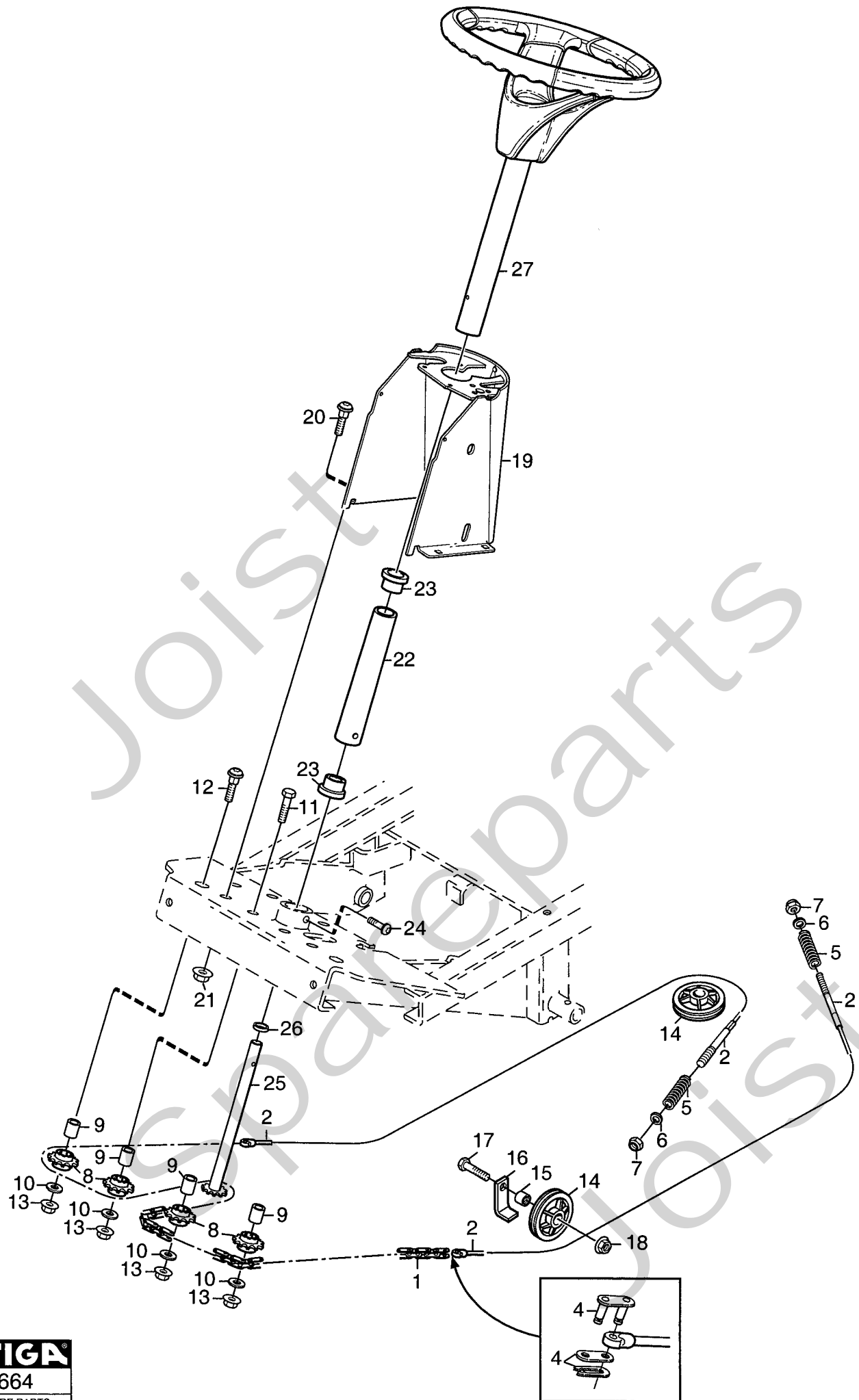
Spareparts Joist



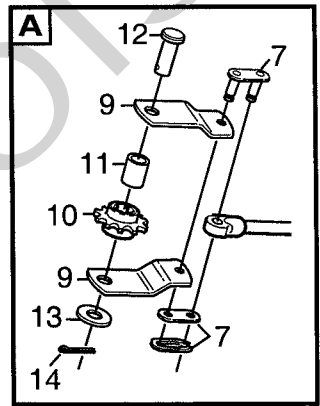
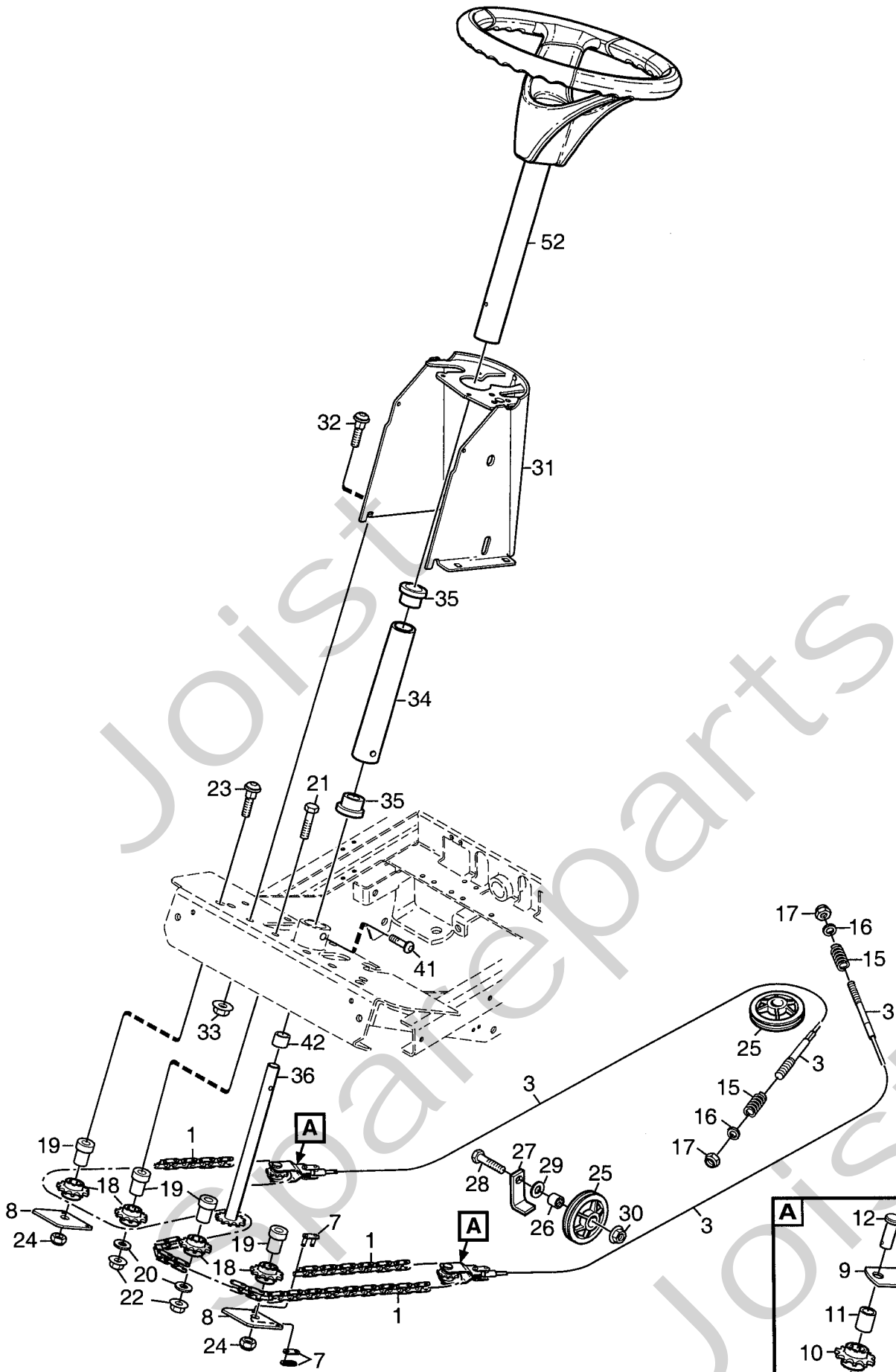
Utgåva Issue		Bildnr Picture No		PARK COMPACT PEDALLYFT		PARK COMPACT PEDAL LIFT		Sida Page	
2006-11		1656A						10	
Pos. Fig.	Antal/Quantity			Art nr Part No	Benämning	Description	Sats Kit	Anmärkning Notes	
	6101	6102 6103 6104							
1A	1			1134-5462-01	Fäste .....	Bracket .....			
1B		1		1134-4117-01	Fäste .....	Bracket .....			
2	2	2		1134-2684-01	Lager .....	Bearing .....			
3	1	1		1134-4945-01	Lyftspärr kpl .....	Lift catch assy .....			
7	1	1		9404-0027-01	• O-ring .....	• O-ring .....			
8	1	1		9650-0039-04	• Seegersäkring .....	• Lock ring .....			
9	1	1		9595-0276-01	• Spännstift .....	• Locating pin .....			
10	1	1		9997-0640-12	• Skruv .....	• Screw .....			
11	1	1		9747-0631-02	• Låsmutter .....	• Lock nut .....			
13	1	1		9897-0820-16	• Skruv .....	• Screw .....			
14	1	1		9747-0831-02	Mutter .....	Lock nut .....			
15	1	1		1134-4860-01	Lyftgaffel .....	Lift fork .....			
16	2	2		1134-0240-00	Ansatssskruv .....	Shoulder screw .....			
17	1	1		1134-4938-01	Lyftpedal .....	Lift pedal .....			
18	2	2		9997-0625-16	Skruv .....	Screw .....			
19	2	2		9739-0631-22	Mutter .....	Nut .....			
20	1	1		4231-0013-00	Fjäder .....	Spring .....			



Utgåva Issue		Bildnr Picture No		PARK COMPACT SITS		PARK COMPACT SEAT		Sida Page	
2006-11		1657						12	
Pos. Fig.	Antal/Quantity			Art nr Part No	Benämning	Description	Sats Kit	Anmärkning Notes	
	6101	6102	6103						6104
1	1			1134-5506-01	Sits .....	Seat .....			
3	1			1134-5301-01	Sitsplatta .....	Seat plate .....			
4	2			1134-0240-00	Ansätsskruv .....	Shoulder screw .....			
5	2			9747-0831-02	Mutter .....	Lock nut .....			
6	1			1134-5454-01	Spärr .....	Catch .....			
7	1			9675-0012-02	Starlock .....	Locking washer .....			
10	4			9893-0616-16	Skruv .....	Screw .....			
11	1			1134-5300-01	Bakstycke .....	Rear plate .....			
12	1			1134-5296-04	Sitskonsol- gul .....	Seat bracket- yellow .....			
13	1			1134-4256-01	Sitsfjäder .....	Seat spring .....			
14	1			9924-1230-19	Skruv .....	Screw .....			
15	1			9747-1231-02	Låsmutter .....	Lock nut .....			
16	1			9997-0840-16	Skruv .....	Screw .....			
17	1			1134-1565-06	Distans .....	Spacer .....			
18	1			1134-5302-01	Fjäder .....	Spring .....			
19	1			1134-5299-01	Tryckplatta .....	Push plate .....			
20	1			9699-0090-02	Planbricka .....	Flat washer .....			
21	1			9747-0831-02	Mutter .....	Lock nut .....			
22	1			1134-3156-02	Brytare (grå) .....	Switch (grey) .....			
26	2			9897-0880-12	Skruv .....	Screw .....		L = 80 mm	
27	2			1134-1565-08	Distans .....	Spacer .....			
28	4			9897-0820-16	Skruv .....	Screw .....		L = 20 mm	
29	6			9747-0831-02	Mutter .....	Lock nut .....			

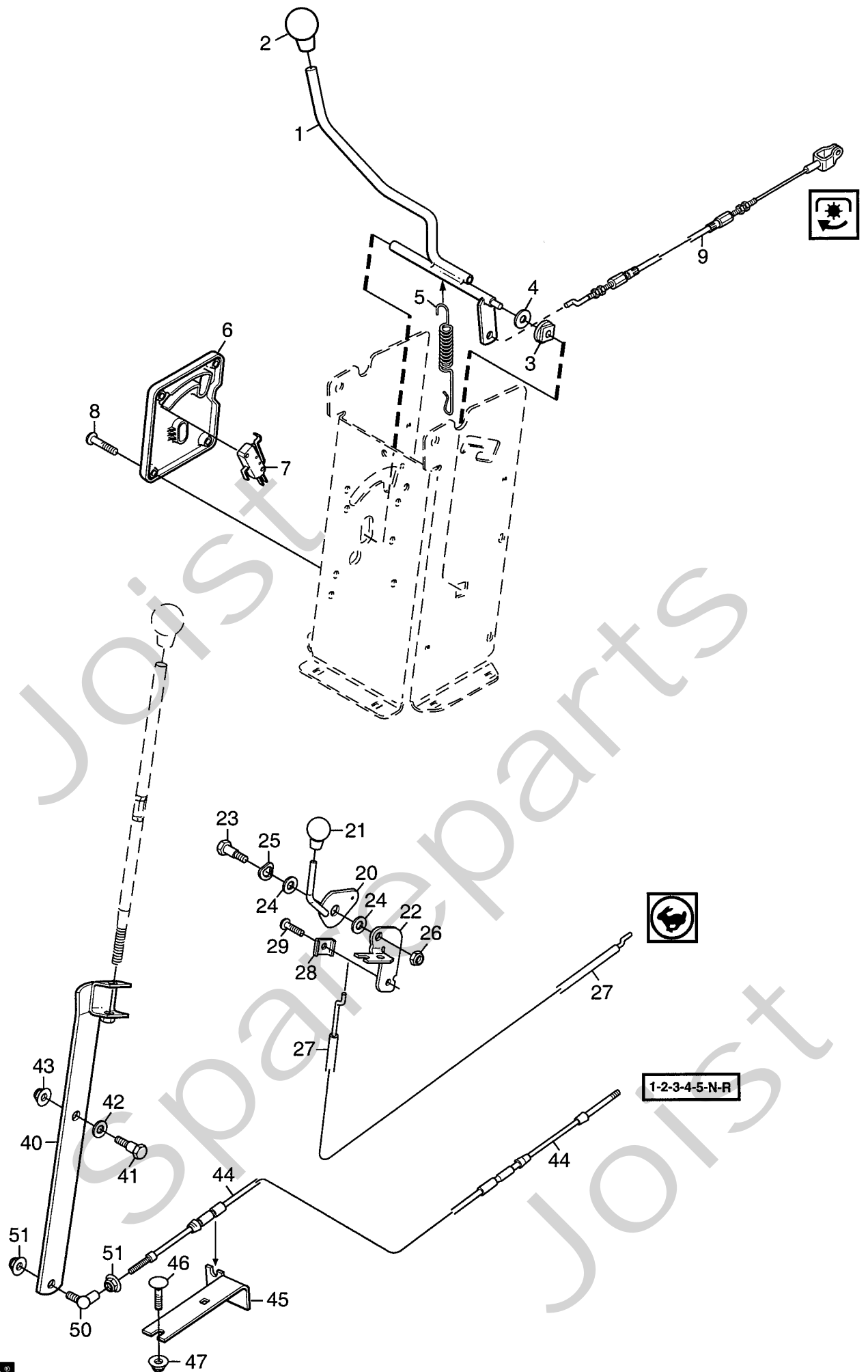


Utgåva Issue		Bildnr Picture No		PARK COMPACT 2WD STYRNING		PARK COMPACT 2WD STEERING		Sida Page	
2006-11		1664						14	
Pos. Fig.	Antal/Quantity			Art nr Part No	Benämning	Description	Sats Kit	Anmärkning Notes	
	6101	6102	6103						
1	1			1134-2820-06	Kedja .....	Chain.....		83 länk Sats vä+hö/kit L+R	
2	1			1134-9084-01	Styrwire kpl (vä+hö) .....	Steering cable assy .....			
4	2			1134-2824-01	Kedjelås .....	Chain lock .....			
5	2			1134-3817-01	Tryckfjäder.....	Compression spring.....			
6	2			9699-0090-02	Planbricka.....	Flat washer.....			
7	2			9747-0831-02	Mutter.....	Lock nut.....			
8	4			1134-2816-01	Kedjehjul.....	Sprocket.....			
9	4			1134-0041-02	Linhjulshylsa .....	Idler wheel bush.....			
10	4			9699-0035-02	Planbricka.....	Flat washer.....			
11	2			9997-1050-16	Skruv.....	Screw.....			
12	2			9897-1040-12	Skruv.....	Screw.....			
13	4			9739-1031-22	Mutter.....	Nut.....			
14	2			1134-9025-01	Linhjul- sats .....	Steering pulley- kit .....		Sats 2 st/kit of 2	
15	2			1134-0041-01	Linhjulshylsa .....	Bushing.....			
16	2			1134-3022-01	Linhållare.....	Cable holder .....			
17	2			9997-1030-16	Skruv.....	Screw.....			
18	2			9739-1031-22	Mutter.....	Nut.....			
19	1			1134-5349-01	Styrkonsol- gul .....	Steering console- yel.....			
20	4			9897-0820-16	Skruv.....	Screw.....			
21	4			9739-0831-22	Mutter.....	Nut.....			
22	1			1134-1305-05	Rattrör- nedre .....	Steering column- lower.....			
23	2			1134-1901-01	Lager .....	Bearing.....			
24	2			9893-0616-16	Skruv.....	Screw.....			
25	1			1134-2821-03	Rattstång.....	Steering rod .....			
26	1			1134-2837-01	Distans .....	Spacer.....			
27	1			1134-5496-01	Ratt.....	Steering wheel.....			

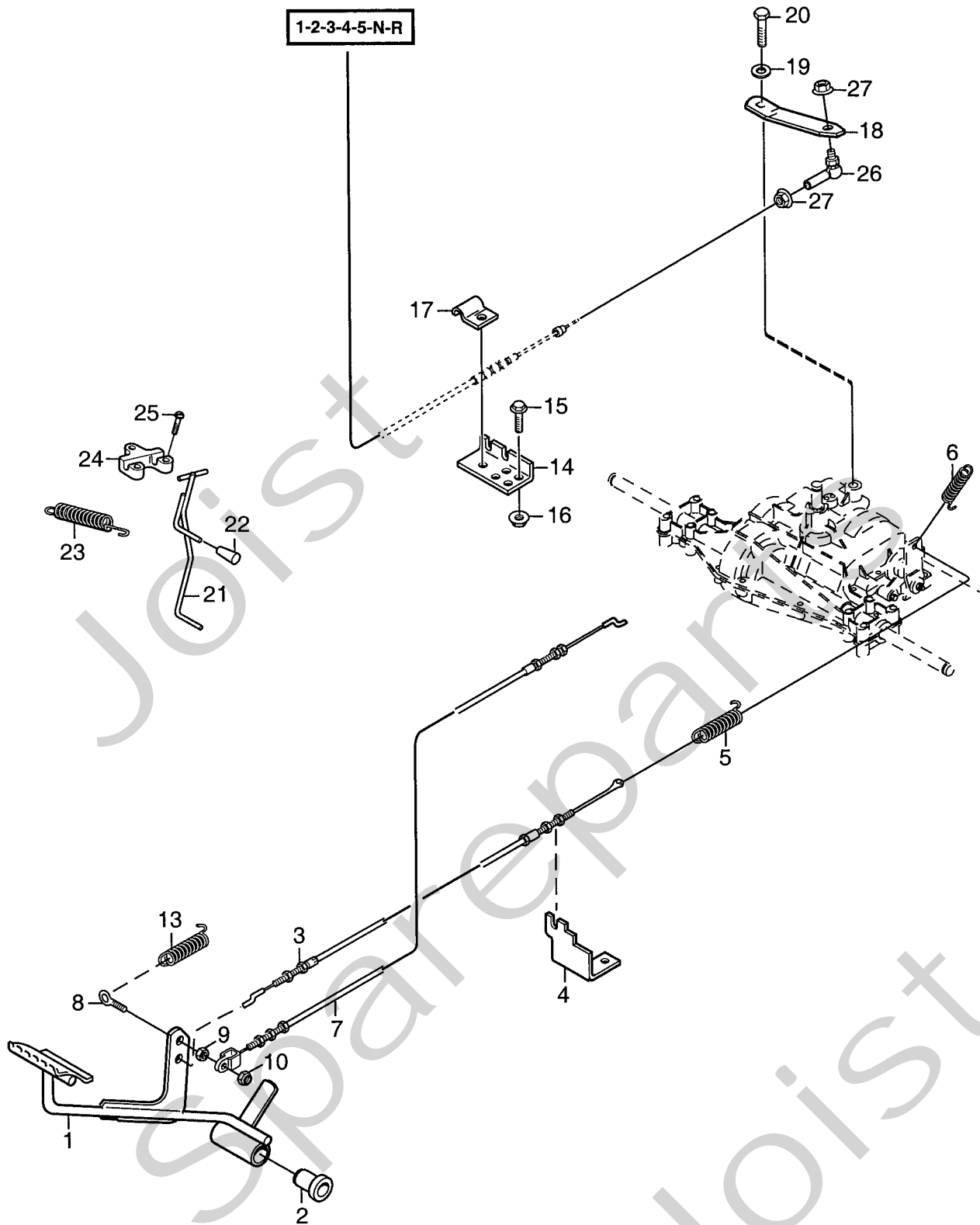




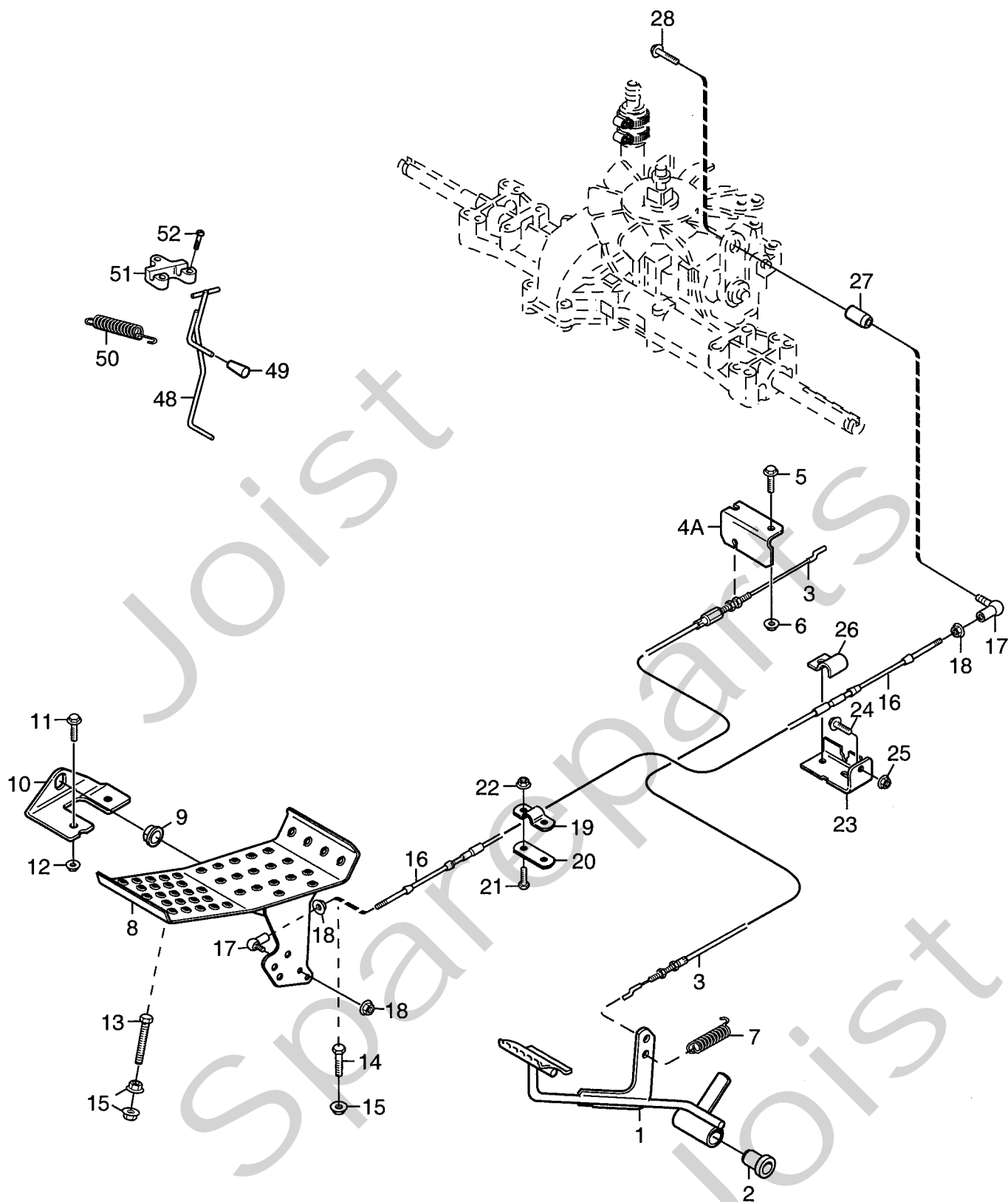
Utgåva Issue		Bildnr Picture No		PARK COMPACT 4WD STYRNING		PARK COMPACT 4WD STEERING		Sida Page	
2006-11		2025						16	
Pos. Fig.	Antal/Quantity			Art nr Part No	Benämning	Description	Sats Kit	Anmärkning Notes	
	6104								
1	1			1134-2820-10	Kedja .....	Chain .....		129 länk Sats vä+hö/kit L+R	
3	1			1134-9099-01	Styrwire kpl (vä+hö) .....	Steering cable assy .....			
7	4			1134-2824-01	Kedjelås .....	Chain lock .....			
8	2			1134-5652-01	Fäste .....	Attachment .....			
9	4			1134-5651-01	Bygel .....	Bracket .....			
10	2			1134-2816-01	Kedjehjul .....	Sprocket .....			
11	2			1134-0041-02	Linhjulshylsa .....	Idler wheel bush .....			
12	2			1134-4817-01	Kolvstängssprint .....	Pin .....			
13	2			9699-0035-02	Planbricka .....	Flat washer .....			
14	2			9599-0054-02	Saxpinne .....	Cotter pin .....			
15	2			1134-3817-01	Tryckfjäder .....	Compression spring .....			
16	2			9699-0090-02	Planbricka .....	Flat washer .....			
17	2			9747-0831-02	Mutter .....	Lock nut .....			
18	4			1134-2816-01	Kedjehjul .....	Sprocket .....			
19	4			1134-5653-01	Distans .....	Spacer .....			
20	2			9699-0035-02	Planbricka .....	Flat washer .....			
21	2			9997-1060-12	Skruv .....	Screw .....			
22	2			9739-1031-22	Mutter .....	Nut .....			
23	2			9897-1060-12	Skruv .....	Screw .....			
24	2			9747-1031-02	Låsmutter .....	Lock nut .....			
25	2			1134-9025-01	Linhjul-sats .....	Steering pulley-kit .....		Sats 2 st/kit of 2	
26	2			1134-0041-01	Linhjulshylsa .....	Bushing .....			
27	2			1134-3022-01	Linhållare .....	Cable holder .....			
28	2			9997-1040-16	Skruv .....	Screw .....			
29	2			9699-0035-02	Planbricka .....	Flat washer .....			
30	2			9739-1031-22	Mutter .....	Nut .....			
31	1			1134-5349-01	Styrkonsol-gul .....	Steering console-yel. ....			
32	4			9897-0820-16	Skruv .....	Screw .....			
33	4			9739-0831-22	Mutter .....	Nut .....			
34	1			1134-1305-05	Rattör- nedre .....	Steering column-lower .....			
35	2			1134-1901-01	Lager .....	Bearing .....			
X 36	1			1134-2821-05	Rattstång .....	Steering rod .....			
41	2			9893-0616-16	Skruv .....	Screw .....			
42	1			1134-2837-03	Distans .....	Spacer .....			
52	1			1134-5496-01	Ratt .....	Steering wheel .....			



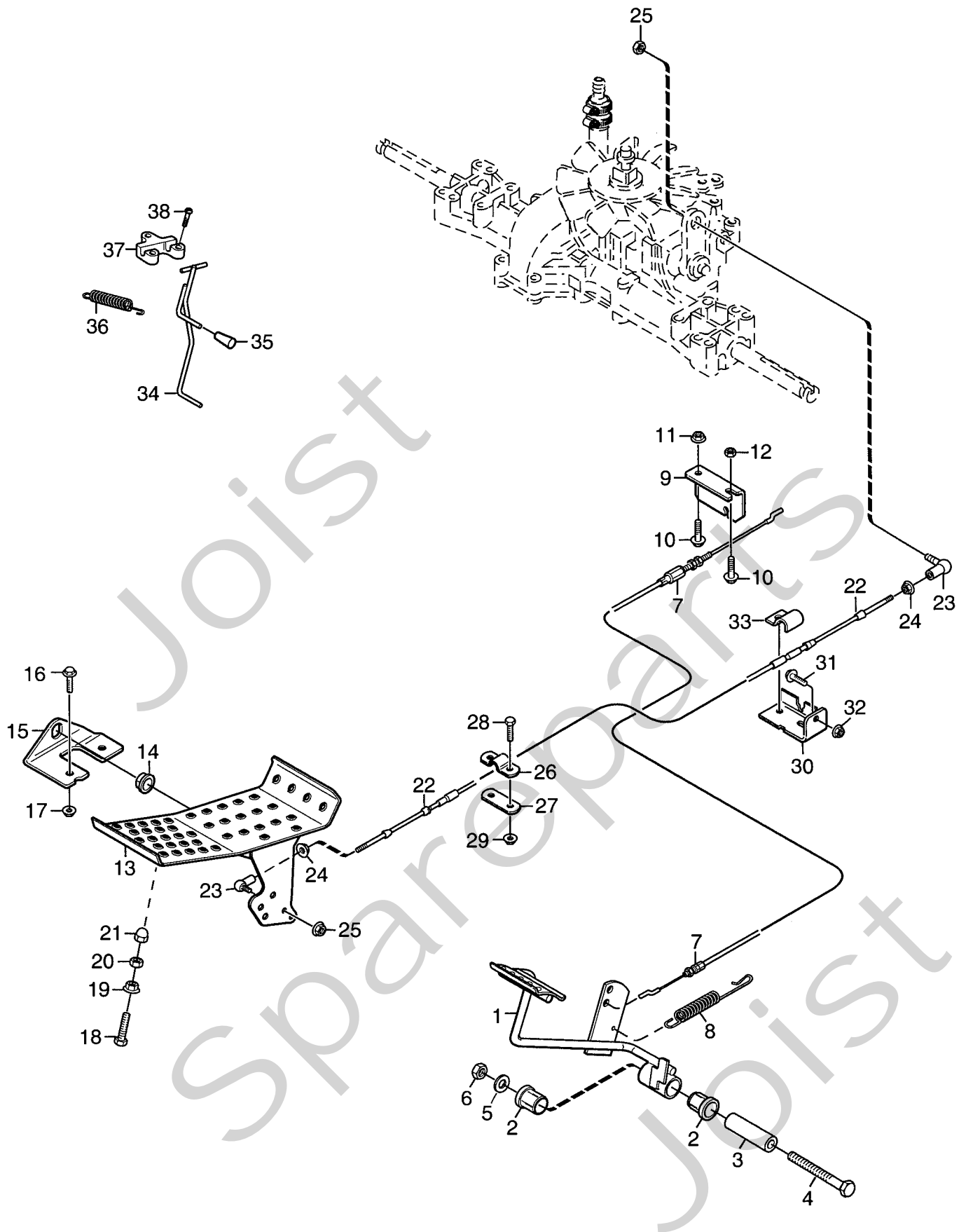
Utgåva Issue		Bildnr Picture No		PARK COMPACT HANDREGLAGE		PARK COMPACT HAND CONTROLS		Sida Page	
2006-11		1670						18	
Pos. Fig.	Antal/Quantity			Art nr Part No	Benämning	Description	Sats Kit	Anmärkning Notes	
	6101	6102 6103 6104							
1	1	1		1134-5363-01	Aggregatspak.....	Control lever .....			
2	1	1		1134-2551-01	Reglageknopp.....	Knob .....			
3	1	1		1134-3790-02	Lager .....	Bearing.....			
4	1	1		9699-0090-02	Planbricka.....	Flat washer.....			
5	1	1		4231-0013-00	Fjäder.....	Spring .....			
6	1	1		1134-5368-01	Panel .....	Dashboard .....			
7	1	1		9400-0312-01	Mikrobrytare.....	Micro switch .....			
8	4	4		9946-0525-16	Skruv .....	Screw.....			
9	1	1		1134-3573-05	Reglagewire.....	Control cable.....			
20	1	1		1134-5465-01	Gasreglage.....	Throttle lever.....			
21	1	1		1134-4078-01	Knopp.....	Knob .....			
22	1	1		1134-5464-01	Fäste .....	Bracket.....			
23	1	1		1134-0240-00	Ansatskrav.....	Shoulder screw.....			
24	2	2		1134-4242-01	Distansbricka.....	Spacer washer .....			
25	1	1		9694-0001-00	Fjäderbricka .....	Washer.....			
26	1	1		9747-0831-02	Mutter.....	Lock nut.....			
27	1	1		1134-4197-02	Gaswire .....	Throttle cable .....			
28	1	1		9500-9991-00	Wireklämma .....	Cable clamp .....			
29	1	1		9943-0516-16	Skruv .....	Screw.....			
40	1			1134-5459-01	Växelarm .....	Gear shift arm .....			
41	1			1134-0240-00	Ansatskrav.....	Shoulder screw.....			
42	1			9696-0013-01	Kupad bricka.....	Bowed washer.....			
43	1			9739-0831-22	Mutter.....	Nut .....			
44	1			1134-2766-07	Reglagewire.....	Control cable.....			
45	1			1134-5518-01	Vinkelarm .....	Angle bracket .....			
46	2			9897-0616-16	Vagnsbult .....	Carriage bolt .....			
47	2			9739-0631-22	Mutter.....	Nut.....			
50	1			9570-0001-00	Vinkellänk.....	Elbow link .....			
51	2			9739-0531-22	Mutter.....	Nut.....			



Utgåva Issue		Bildnr Picture No		PARK COMPACT 2WD FOTREGLAGE		PARK COMPACT 2WD FOOT CONTROLS		Sida Page	
2006-11		1665						20	
Pos. Fig.	Antal/Quantity			Art nr Part No	Benämning	Description	Sats Kit	Anmärkning Notes	
	6101								
1	1			1134-4247-01	Broms/kopplingspedal.....	Brake/clutch pedal.....		Sats 4 st/kit of 4	
2	1			1134-9024-01	Lager .....	Bearing .....			
3	1			1134-3410-02	Bromswire .....	Brake cable .....			
4	1			1134-3403-01	Wirefäste .....	Wire holder .....			
5	1			1134-3280-01	Fjäder.....	Spring .....			
6	1			1134-3974-02	Fjäder.....	Spring .....			
7	1			1134-4058-01	Wire.....	Cable .....			
8	1			1134-2991-01	Skruvögla .....	Eye bolt .....			
9	1			9739-0531-22	Mutter.....	Nut .....			
10	1			9747-0531-02	Mutter.....	Nut .....			
13	1			1134-3974-01	Fjäder.....	Spring .....			
14	1			1134-3400-01	Vinkelarm .....	Angle plate .....			
15	2			9959-0816-16	Skruv.....	Screw .....			
16	2			9739-0831-22	Mutter.....	Nut .....			
17	1			1134-2021-01	Växelwirefäste .....	Clamp.....			
18	1			1134-4048-02	Växelarm .....	Gear shifter arm .....			
19	1			9699-0060-02	Planbricka.....	Flat washer.....			
20	1			9987-5016-16	Skruv.....	Screw .....			
21	1			1134-5353-01	Bromsstång .....	Brake rod .....			
22	1			1134-2786-01	Plastknopp.....	Plastic knob .....			
23	1			1131-1497-01	Fjäder.....	Spring .....			
24	1			1134-4002-01	Fäste.....	Brake rod attachment.....			
25	3			9838-9516-12	Skruv.....	Screw .....			
26	1			9570-0001-00	Vinkellänk .....	Elbow link .....			
27	2			9739-0531-22	Mutter.....	Nut .....			

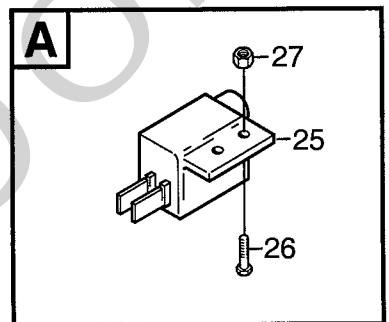
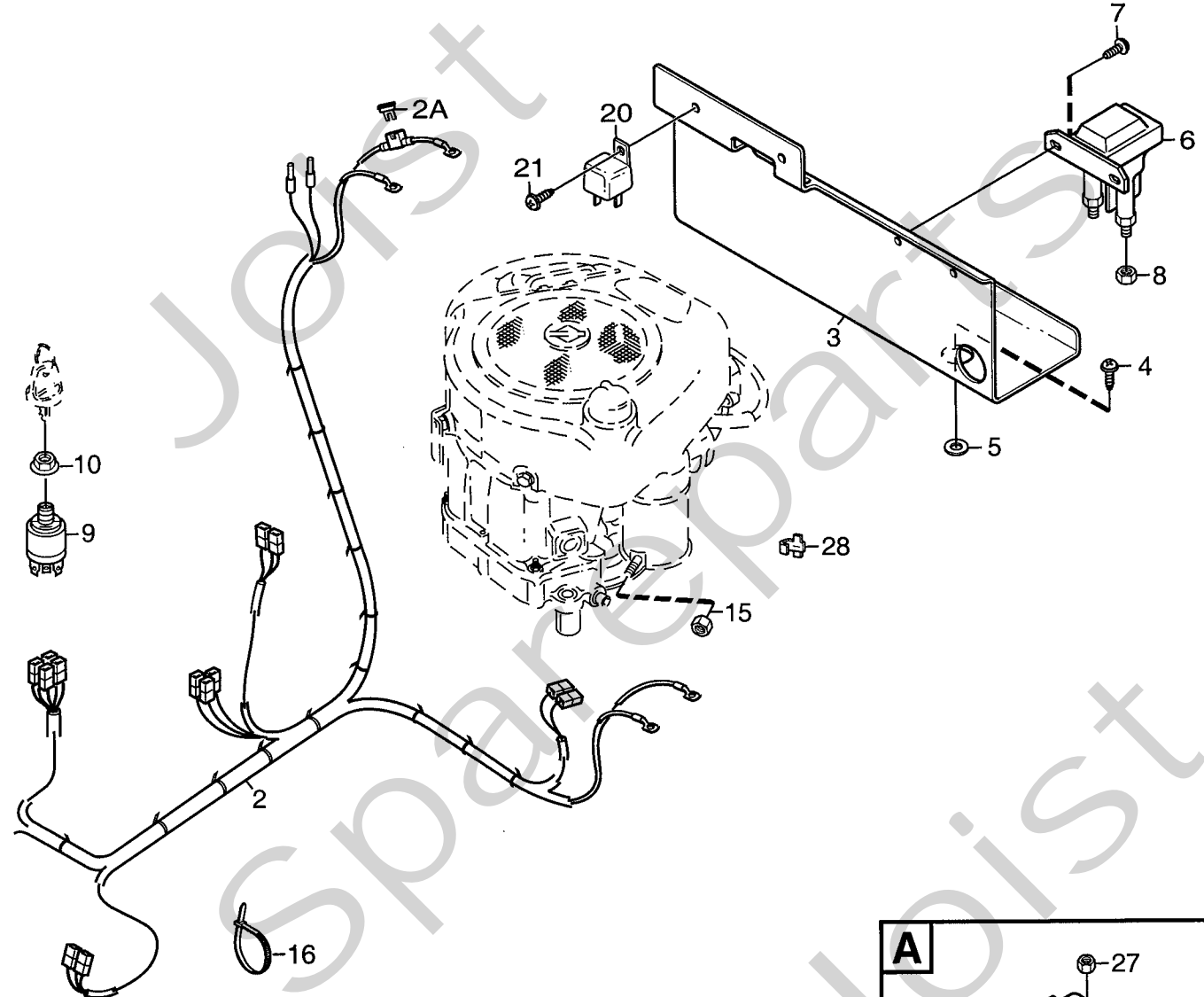
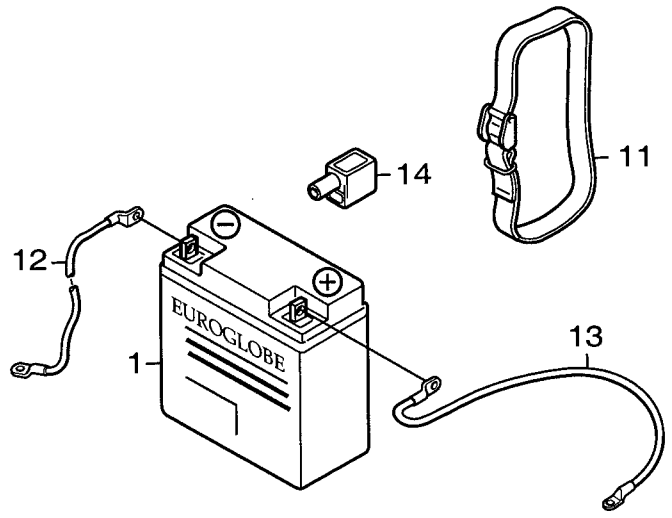
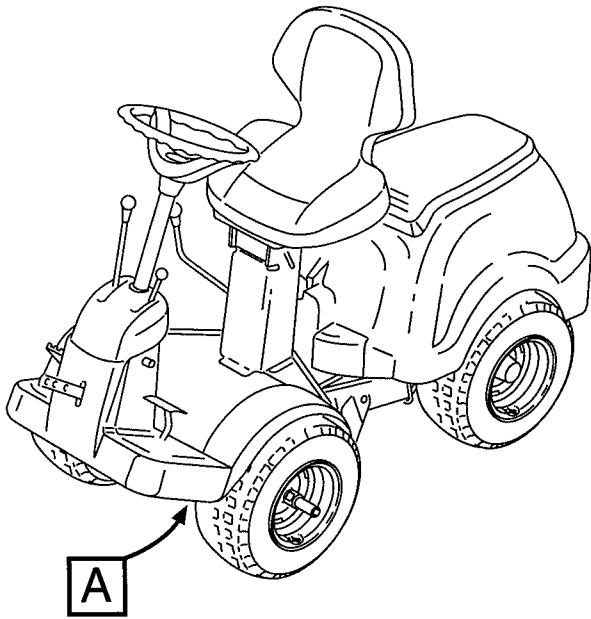


Utgåva Issue		Bildnr Picture No		PARK COMPACT HST 2WD FOTREGLAGE		PARK COMPACT HST 2WD FOOT CONTROLS		Sida Page	
2006-11		1666						22	
Pos. Fig.	Antal/Quantity			Art nr Part No	Benämning	Description	Sats Kit	Anmärkning Notes	
	6102 6103								
1	1			1134-4247-01	Broms/kopplingspedal.....	Brake/clutch pedal.....			
2	1			1134-9024-01	Lager .....	Bearing .....		Sats 4 st/kit of 4	
3	1			1134-3584-03	Broms/kopplingswire.....	Brake/clutch cable.....			
4A	1			1134-3906-01	Wirefäste .....	Cable holder .....			
5	2			9959-0816-16	Skruv .....	Screw .....			
6	2			9739-0831-22	Mutter .....	Nut .....			
7	1			1134-3974-01	Fjäder .....	Spring .....			
8	1			1134-4008-03	Drivpedal .....	Drive pedal .....			
9	2			1134-2780-01	Lager .....	Bearing .....			
10	2			1134-2700-01	Fäste .....	Bracket .....			
11	2			9959-0820-16	Skruv .....	Screw .....			
12	2			9739-0831-22	Mutter .....	Nut .....			
13	1			9997-0870-16	Skruv .....	Screw .....			
14	1			9959-0816-16	Skruv .....	Screw .....			
15	3			9739-0831-22	Mutter .....	Nut .....			
16	1			1134-2766-05	Reglagewire.....	Speed control cable .....			
17	2			9570-0001-00	Vinkellänk .....	Elbow link .....			
18	3			9739-0531-22	Mutter .....	Nut .....			
19	1			1134-0266-00	Fästbygel .....	Attaching clamp .....			
20	1			1134-0267-00	Underläggsbleck.....	Clamp plate .....			
21	2			9997-0520-16	Skruv .....	Screw .....			
22	2			9739-0531-22	Mutter .....	Nut .....			
23	1			1134-3395-01	Fäste .....	Attachment.....			
24	2			9959-0820-16	Skruv .....	Screw .....			
25	2			9739-0831-22	Mutter .....	Nut .....			
26	1			1134-2021-01	Växelwirefäste .....	Clamp.....			
27	1			1134-4013-01	Distans .....	Spacer.....			
28	1			9959-0820-16	Skruv .....	Screw .....			
48	1			1134-5353-01	Bromsstång .....	Brake rod .....			
49	1			1134-2786-01	Plastknopp.....	Plastic knob .....			
50	1			1131-1497-01	Fjäder .....	Spring .....			
51	1			1134-4002-01	Fäste .....	Brake rod attachment.....			
52	3			9838-9516-12	Skruv .....	Screw .....			

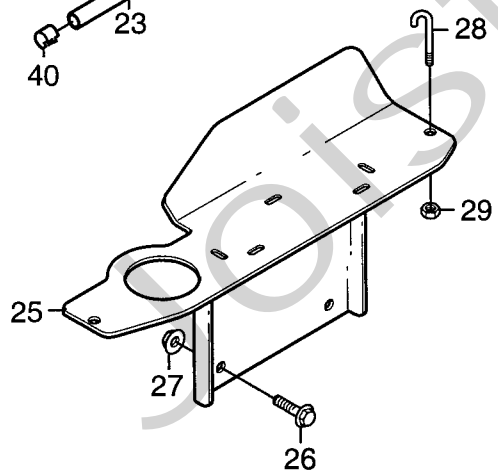
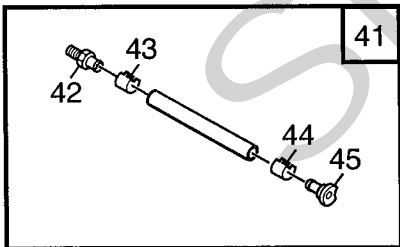
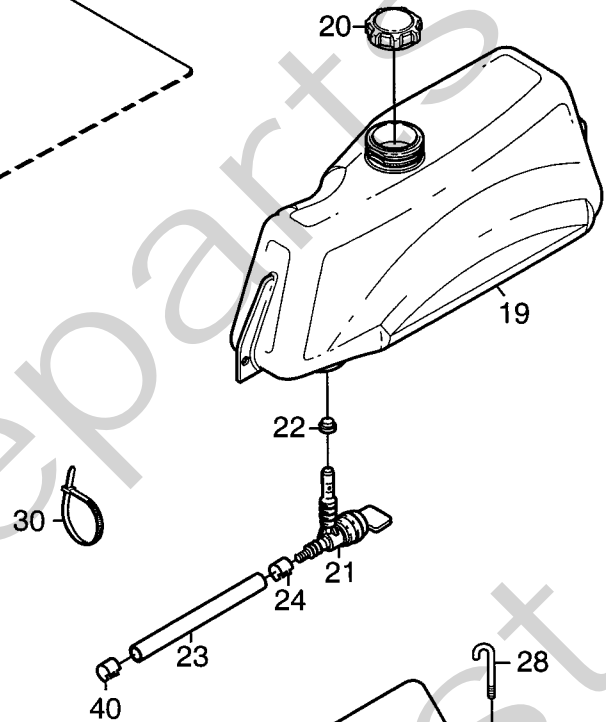
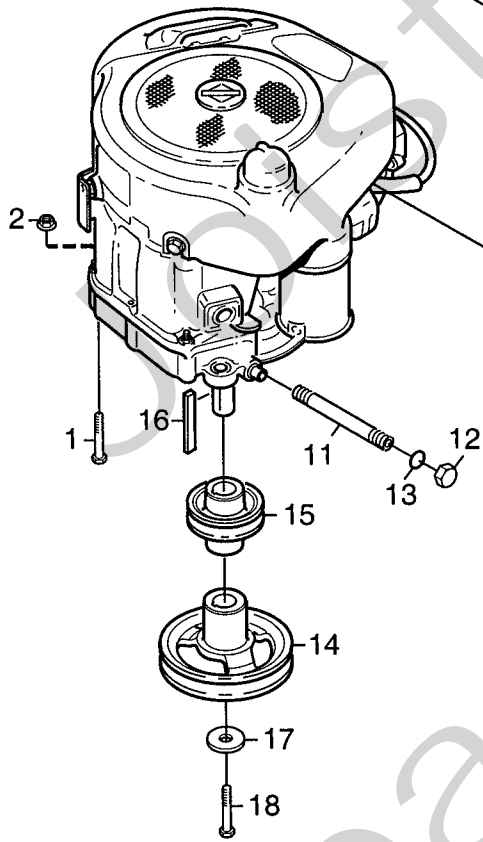
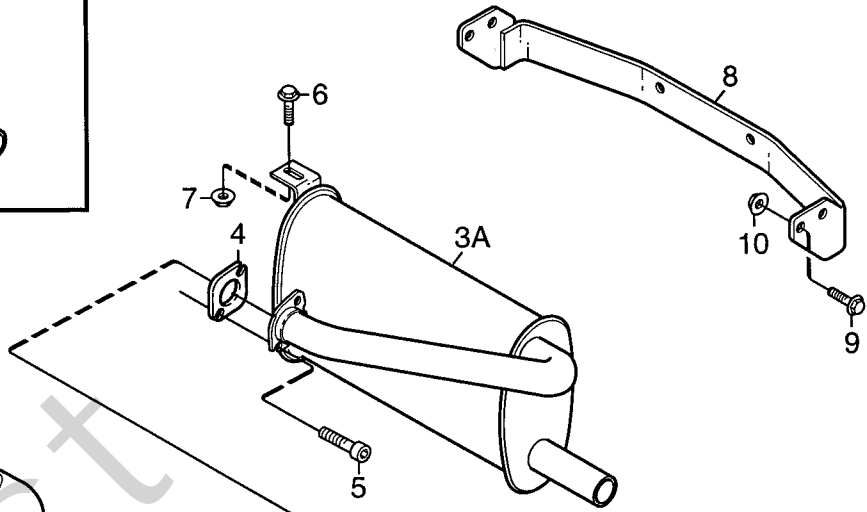
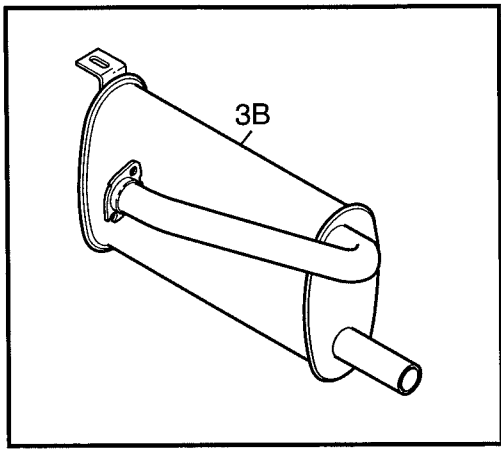




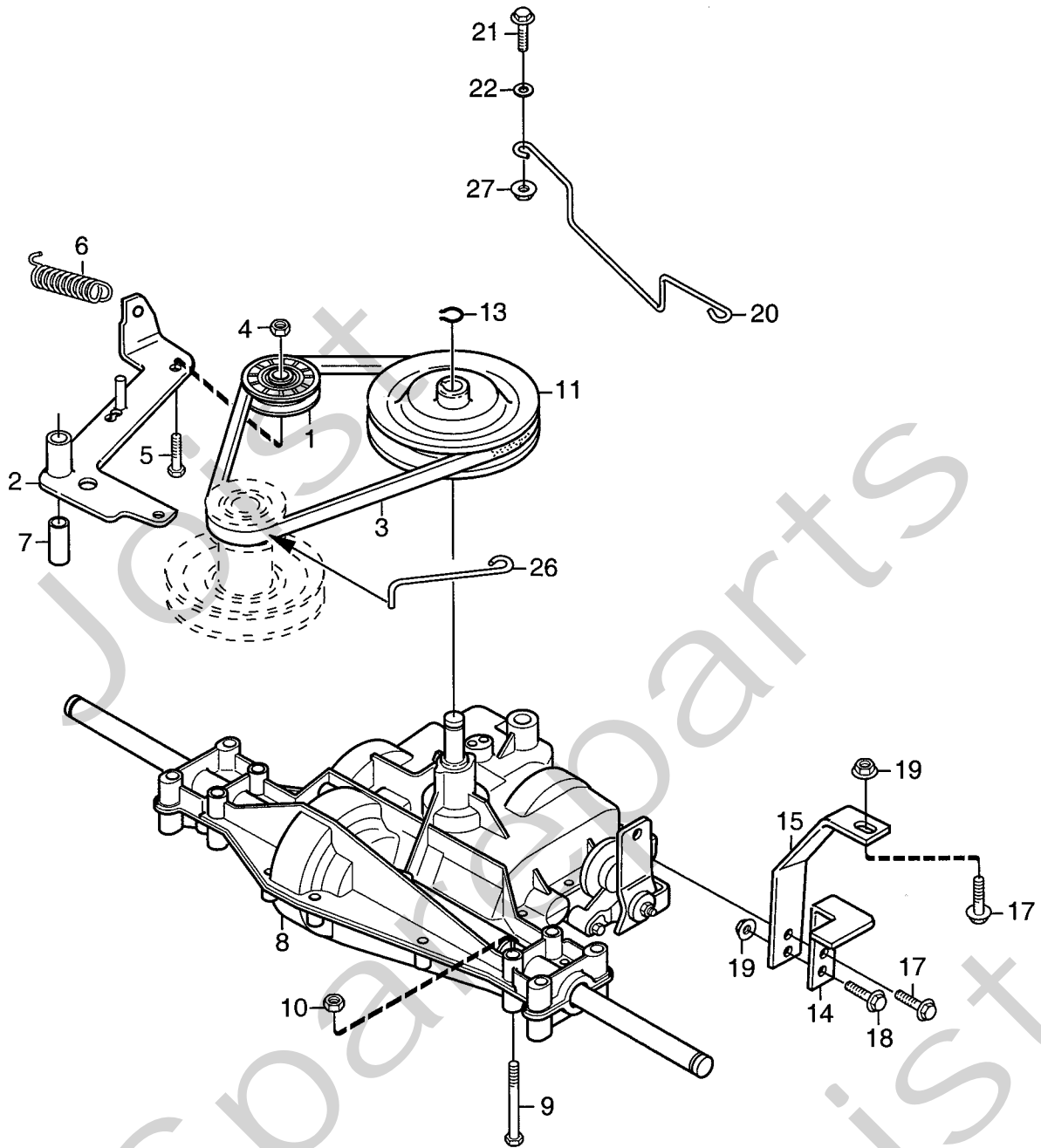
Utgåva Issue 2006-11		Bildnr Picture No 2026		PARK COMPACT 4WD FOTREGLAGE		PARK COMPACT 4WD FOOT CONTROLS		Sida Page 24	
Pos. Fig.	Antal/Quantity			Art nr Part No	Benämning	Description	Sats Kit	Anmärkning Notes	
	6104								
X 1	1			1134-5655-01	Broms/kopplingspedal.....	Brake/clutch pedal.....		Sats 4 st/kit of 4	
2	1			1134-9024-01	Lager.....	Bearing.....			
3	1			1134-5677-02	Distans.....	Spacer.....			
4	1			9997-1070-12	Skruv.....	Screw.....			
5	1			9699-0030-02	Planbricka.....	Flat washer.....			
6	1			9739-1031-22	Mutter.....	Nut.....			
X 7	1			1134-6005-01	Wire.....	Cable.....			
8	1			4231-0013-00	Fjäder.....	Spring.....			
9	1			1134-3906-01	Wirefäste.....	Cable holder.....			
10	2			9959-0816-16	Skruv.....	Screw.....			
11	1			9739-0831-22	Mutter.....	Nut.....			
12	1			9747-0831-02	Mutter.....	Lock nut.....			
13	1			1134-4008-03	Drivpedal.....	Drive pedal.....			
14	2			1134-2780-01	Lager.....	Bearing.....			
15	2			1134-2700-01	Fäste.....	Bracket.....			
16	2			9959-0820-16	Skruv.....	Screw.....			
17	2			9739-0831-22	Mutter.....	Nut.....			
18	1			9997-0840-16	Skruv.....	Screw.....			
19	1			9739-0831-22	Mutter.....	Nut.....			
20	1			9787-0831-32	Mutter.....	Nut.....			
21	1			9757-0821-02	Hattmutter.....	Cap nut.....			
22	1			1134-2766-05	Reglagewire.....	Speed control cable.....			
23	2			9570-0001-00	Vinkellänk.....	Elbow link.....			
24	2			9739-0531-22	Mutter.....	Nut.....			
25	2			9747-0531-02	Mutter.....	Nut.....			
26	1			1134-0266-00	Fästbygel.....	Attaching clamp.....			
27	1			1134-0267-00	Underläggsbleck.....	Clamp plate.....			
28	2			9997-0520-16	Skruv.....	Screw.....			
29	2			9739-0531-22	Mutter.....	Nut.....			
30	1			1134-3395-01	Fäste.....	Attachment.....			
31	2			9959-0820-16	Skruv.....	Screw.....			
32	2			9739-0831-22	Mutter.....	Nut.....			
33	1			1134-2021-01	Växelwirefäste.....	Clamp.....			
34	1			1134-5353-01	Bromsstång.....	Brake rod.....			
35	1			1134-2786-01	Plastknopp.....	Plastic knob.....			
36	1			1131-1497-01	Fjäder.....	Spring.....			
37	1			1134-4002-01	Fäste.....	Brake rod attachment.....			
38	3			9838-9516-12	Skruv.....	Screw.....			



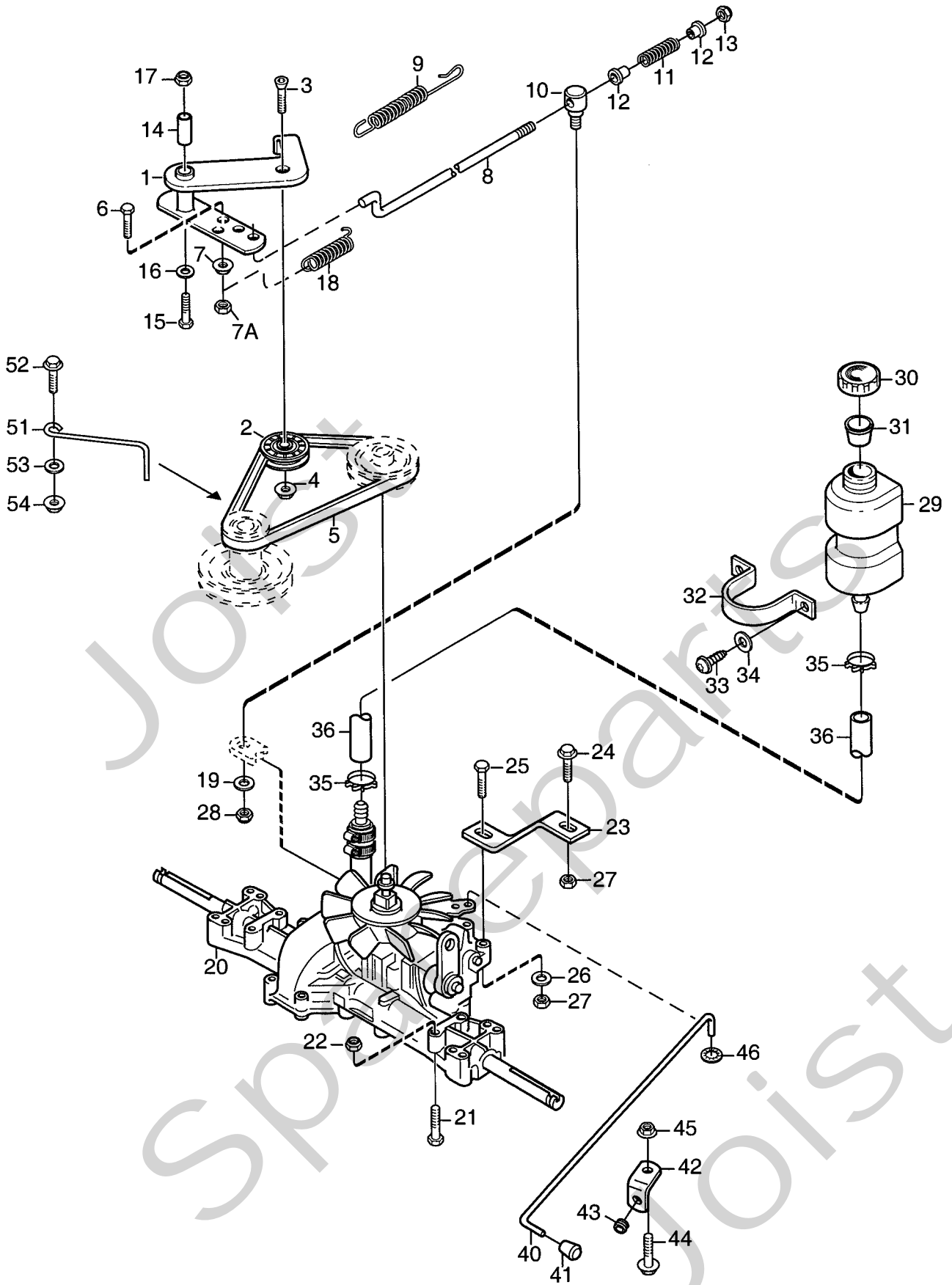
Utgåva Issue		Bildnr Picture No		PARK COMPACT ELUTRUSTNING		PARK COMPACT EL. EQUIPMENT		Sida Page	
2006- 11		1671						26	
Pos. Fig.	Antal/Quantity			Art nr Part No	Benämning	Description	Sats Kit	Anmärkning Notes	
	6101	6102 6103	6104						
1	1	1	1	1134-4804-01	Batteri.....	Battery .....			
2	1			1134-5768-01	Kablage.....	Harness.....			
2		1	1	1134-5769-01	Kablage.....	Harness.....			
2A	1	1	1	1134-3496-06	• Säkring .....	• Fuse .....	20A		
3	1	1	1	1134-5343-01	Batterikonsol .....	Battery bracket.....			
4	3	3	3	9852-8013-16	Skruv .....	Screw .....			
5	2	2	2	9699-0060-02	Planbricka.....	Flat washer.....			
6	1	1	1	1134-2962-01	Solenoid kpl .....	Solenoid assy.....			
7	2	2	2	9852-8013-16	Skruv .....	Screw .....			
8	2	2	2	9794-5131-02	• Mutter.....	• Nut .....			
9	1	1	1	1134-4093-01	Tändningslås .....	Ignition switch .....			
10	1	1	1	1134-4749-01	Mutter .....	Nut .....			
11	1	1	1	1134-5245-01	Batterirem.....	Battery strap .....			
12	1	1	1	1134-2167-01	Kabel .....	Cable .....			
13	1	1	1	1134-0234-02	Batterikabel ( + ).....	Battery cable ( + ).....			
14	1	1	1	1134-2310-01	Batteriskydd.....	Guard cap .....			
15	1	1	1	9795-3531-02	Mutter.....	Nut .....			
16	15	15	15	9579-0003-00	Buntband.....	Cable holder .....			
20	1			1134-2871-03	Relä .....	Relay .....			
21	1			9852-8013-16	Skruv .....	Screw .....			
25		1	1	1134-3399-02	Brytare.....	Switch .....			
26			2	9943-0516-16	Skruv .....	Screw .....			
26		2		9997-0520-16	Skruv .....	Screw .....			
27		2		9747-0531-02	Mutter.....	Nut .....			
28		1		9400-0231-00	Kabelskarv.....	Splicer.....			



Utgåva Issue		Bildnr Picture No				PARK COMPACT MOTOR		PARK COMPACT ENGINE		Sida Page	
2006-11		1672B								28	
Pos. Fig.	Antal/Quantity				Art nr Part No	Benämning	Description	Sats Kit	Anmärkning Notes		
	6101	6102	6103	6104							
1	3	4	4	4	9955-3725-16	Skruv .....	Screw .....		3/8" UNC x 25 mm M8 x 75 mm		
1	1				9997-0875-12	Skruv .....	Screw .....				
2	1				9739-0831-22	Mutter .....	Nut .....				
3A	1	1			1134-5370-01	Ljuddämpare .....	Muffler .....				
3B			1	1	1134-5369-01	Ljuddämpare .....	Muffler .....				
4	1	1	1	1	1134-0433-00	Ljuddämparpackning .....	Muffler gasket .....				
5	2	2	2	2	1134-4930-01	Skruv .....	Screw .....				
6	1	1	1	1	9959-0820-16	Skruv .....	Screw .....				
7	1	1	1	1	9739-0831-22	Mutter .....	Nut .....				
8	1	1	1	1	1134-5390-01	Dragkroksbalk .....	Tow bar bracket .....				
9	4	4	4	4	9959-0820-16	Skruv .....	Screw .....				
10	4	4	4	4	9739-0831-22	Mutter .....	Nut .....				
11	1	1			1134-4978-01	Oljeavtapn.rör kpl .....	Oil drain pipe Assy .....				
12	1	1			1134-4976-01	• Plugg .....	• Plug .....				
13	1	1			1134-4977-01	• Kopparbricka .....	• Copper washer .....				
14	1	1	1	1	1134-4999-01	Motorremskiva .....	Engine pulley .....				
15	1	1	1	1	1134-5000-01	Motorremskiva .....	Engine pulley .....				
X 15				1	1134-6137-01	Motorremskiva .....	Engine pulley .....				
16	1	1	1	1	9600-0251-01	Kil .....	Key .....	L = 2 1/2"			
17	1	1	1	1	1134-5017-01	Bricka .....	Washer .....				
18	1	1	1	1	9987-5332-16	Skruv .....	Screw .....				
19	1	1	1	1	1134-4757-06	Bränsletank kpl .....	Fuel tank Assy .....	Inkl. pos 20 - 24			
X 19				1	1134-4757-08	Bränsletank kpl .....	Fuel tank Assy .....	Inkl. pos 20 - 24			
20	1	1	1	1	1134-5532-01	• Tanklock .....	• Fuel tank cap .....				
21	1	1	1	1	1134-3224-01	• Bensinkran .....	• Fuel shut-off valve .....				
22	1	1	1	1	1134-3225-01	• Gummibussning .....	• Grommet .....				
23	1	1	1		1134-2975-01	• Bensinslang .....	• Fuel hose .....	L = 520 mm			
23				1	1134-2975-06	• Bensinslang .....	• Fuel hose .....	L = 305 mm			
24	1	1	1	1	9578-0023-02	• Slangklämma .....	• Hose clamp .....				
25	1	1	1	1	1134-5340-01	Tankkonsol .....	Fuel tank bracket .....				
26	2	2	2	2	9959-0820-16	Skruv .....	Screw .....				
27	2	2	2	2	9739-0831-22	Mutter .....	Nut .....				
28	2	2	2	2	1134-5346-01	Tankbygel .....	Fuel tank loop .....				
29	2	2	2	2	9747-0631-02	Låsmutter .....	Lock nut .....				
30	1	1	1	1	9579-0003-00	Buntband .....	Cable holder .....				
40	1	1	1	1	9578-0023-02	Slangklämma .....	Hose clamp .....				
41			1	1	1134-5827-01	Oljeavtapning kpl .....	Oil drain Assy .....				
42			1	1	1134-5825-01	• Nippel .....	• Nipple .....				
43			1	1	9578-0023-04	• Slangklämma .....	• Hose clamp .....				
44			1	1	1134-3499-02	• Slangklämma .....	• Hose clamp .....				
45			1	1	1134-5826-01	• Plugg .....	• Plug .....				

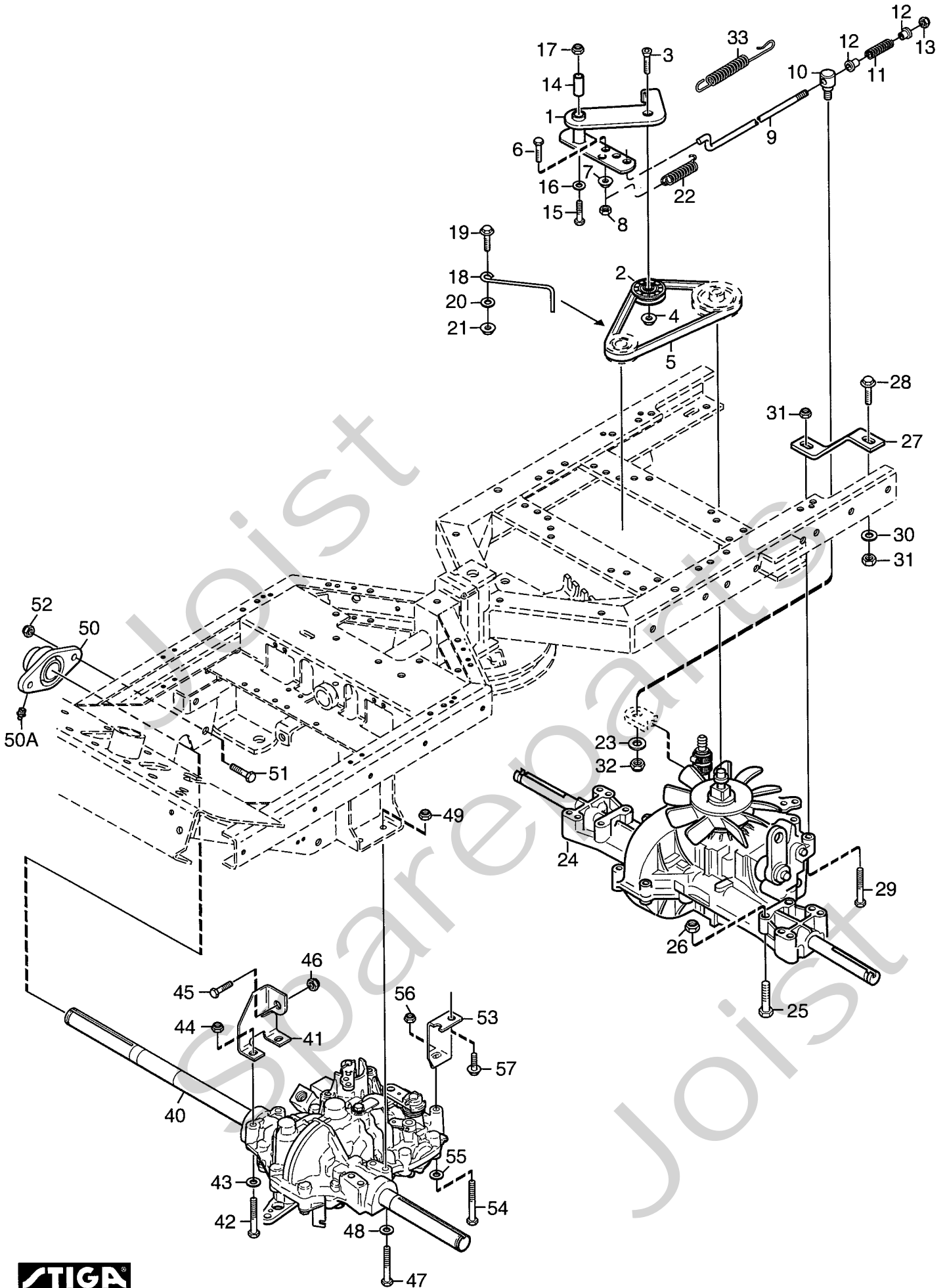


Utgåva Issue		Bildnr Picture No		PARK COMPACT 2WD TRANSMISSION		PARK COMPACT 2WD TRANSMISSION		Sida Page	
2006-11		1667						30	
Pos. Fig.	Antal/Quantity			Art nr Part No	Benämning	Description	Sats Kit	Anmärkning Notes	
	6101								
1	1			1134-9027-01	Spännrulle .....	Tension roller .....			
2	1			1134-2015-04	Spännarm .....	Tension arm .....			
3	1			1134-9013-01	Drivrem .....	V-belt .....		= 9585-0057-00	
4	1			9799-1031-02	Mutter .....	Nut .....			
5	1			9997-1030-16	Skruv .....	Screw .....			
6	1			1134-4337-01	Dragfjäder .....	Spring .....			
7	1			1134-1565-01	Distans .....	Spacer .....			
8	1			1134-5282-01	Transaxel kpl. ....	Transaxle assy .....		Dana 4360-198	
9	3			9997-0865-12	Skruv .....	Screw .....		L = 65 mm	
9	1			9997-0870-16	Skruv .....	Screw .....		L = 70 mm	
10	4			9747-0831-02	Mutter .....	Lock nut .....			
11	1			1134-3182-01	Remskiva .....	Belt pulley .....			
13	1			9650-0016-04	Spärring .....	Lock ring .....			
14	1			1134-2045-02	Bromsstopp .....	Brake stop .....			
15	1			1134-2986-01	Konsol .....	Bracket .....			
17	2			9942-0820-16	Skruv .....	Screw .....			
18	1			9959-0816-16	Skruv .....	Screw .....			
19	2			9739-0831-22	Mutter .....	Nut .....			
20	1			1134-5529-01	Remstyrning .....	Belt guide .....			
21	2			9959-0820-16	Skruv .....	Screw .....			
22	2			9699-0056-02	Planbricka .....	Flat washer .....			
26	1			1134-3289-02	Remstyrning .....	Belt guide .....			
27	2			9739-0831-22	Mutter .....	Nut .....			

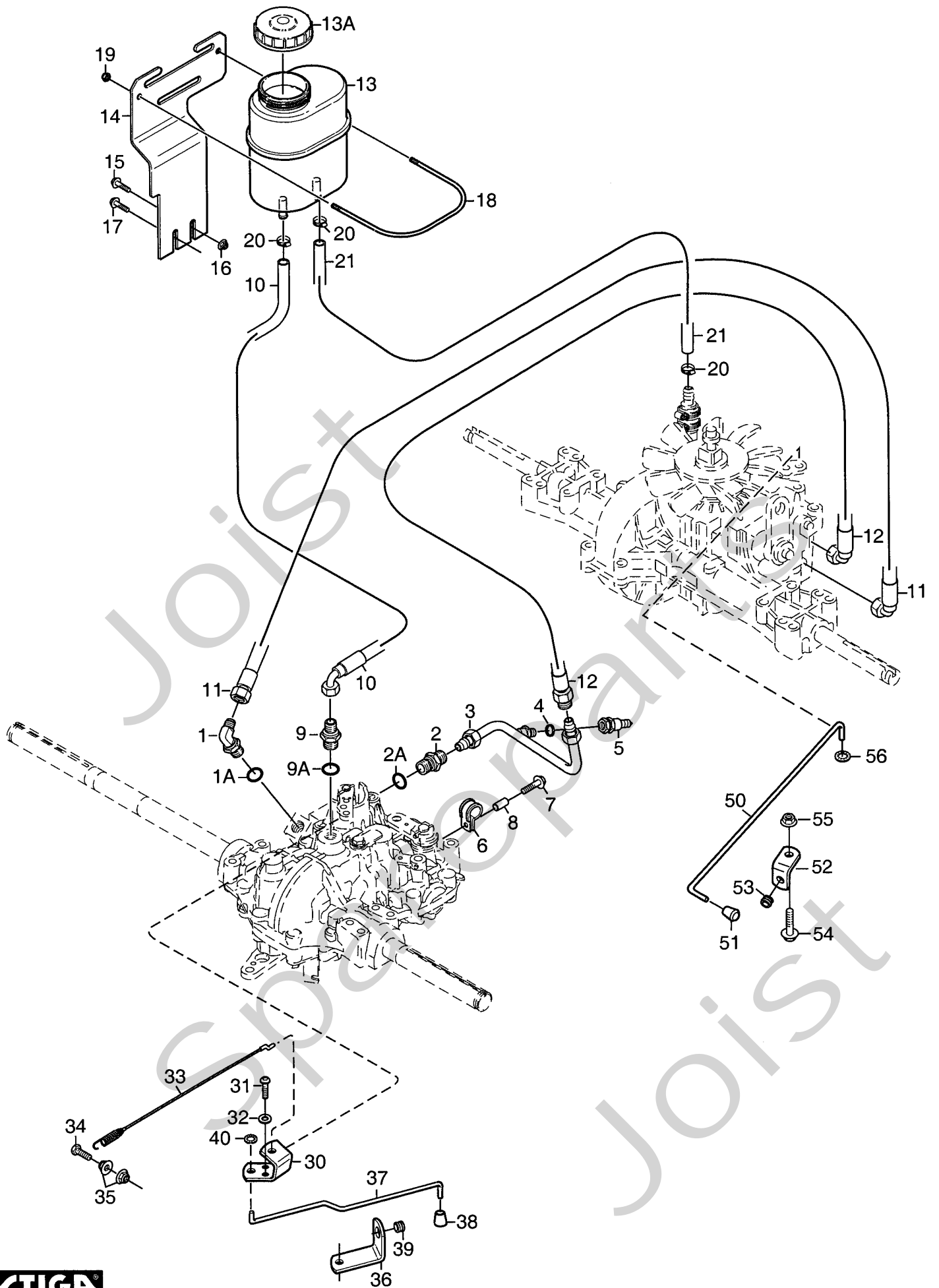




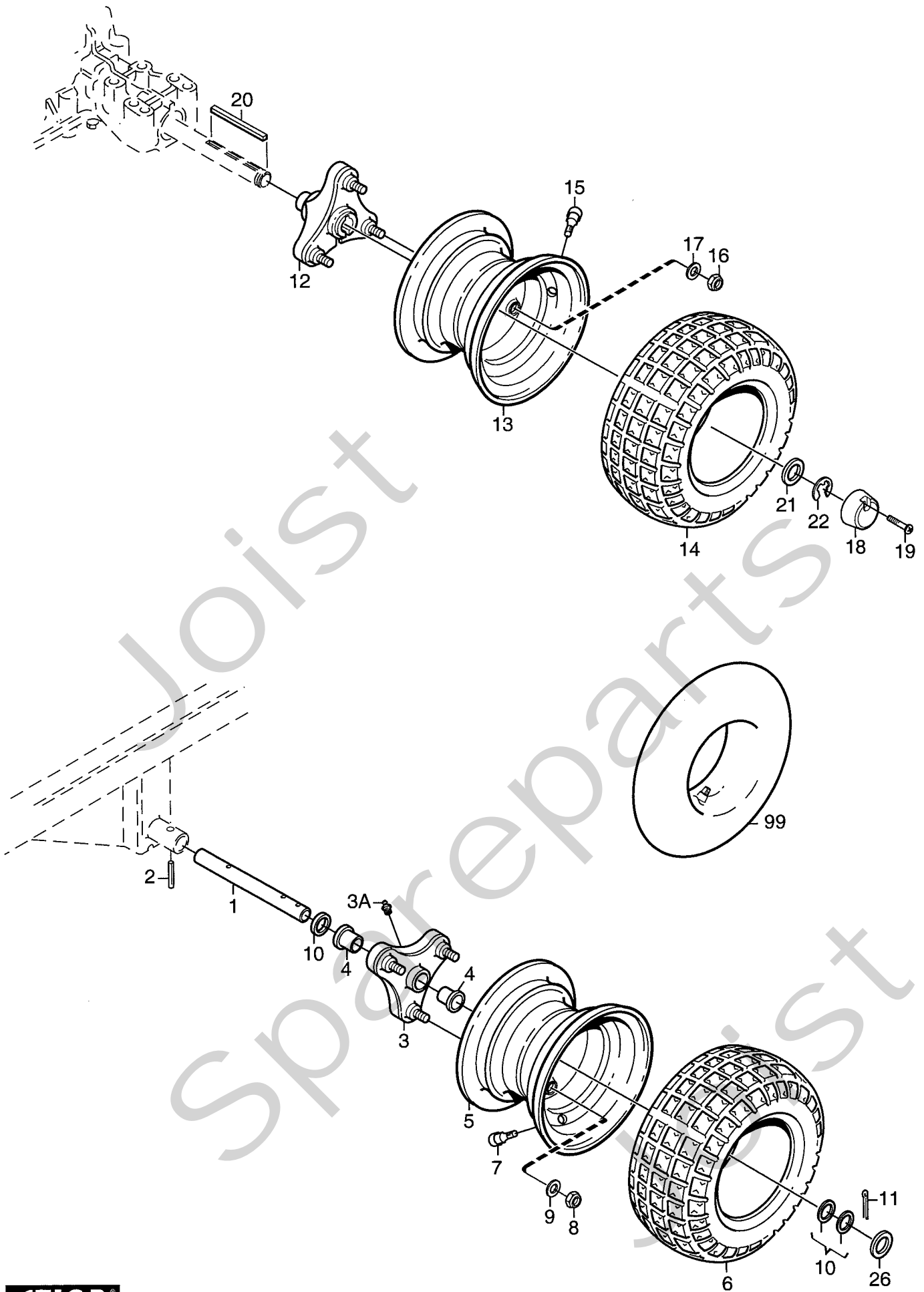
Utgåva Issue		Bildnr Picture No		PARK COMPACT HST 2WD TRANSMISSION		PARK COMPACT HST 2WD TRANSMISSION		Sida Page	
2006-11		1668A						32	
Pos. Fig.	Antal/Quantity			Art nr Part No	Benämning	Description	Sats Kit	Anmärkning Notes	
	6102 6103								
1	1			1134-4000-02	Spännarm .....	Tension arm .....			
2	1			1134-3459-01	Spännrulle .....	Tension roller .....			
3	1			9924-1035-16	Skruv .....	Screw .....			
4	1			9799-1031-02	Mutter .....	Nut .....			
5	1			1134-9058-01	Drivrem .....	V-belt .....		= 9585-0091-01	
6	1			9997-0625-16	Skruv .....	Screw .....			
7	1			9739-0631-22	Mutter .....	Nut .....			
7A	1			9747-0631-02	Låsmutter .....	Lock nut .....			
8	1			1134-3377-02	Reglagestång .....	Control rod .....			
9	1			4231-0013-00	Fjäder .....	Spring .....			
10	1			1134-4171-01	Ledtapp .....	Pivot pin .....			
11	1			1134-4183-01	Tryckfjäder .....	Compression spring .....			
12	2			1134-3456-01	Bussning .....	Bushing .....			
13	1			9747-0631-02	Låsmutter .....	Lock nut .....			
14	1			1134-1565-08	Distans .....	Spacer .....			
15	1			9997-0870-16	Skruv .....	Screw .....			
16	1			9699-0056-02	Planbricka .....	Flat washer .....			
17	1			9747-0831-02	Mutter .....	Lock nut .....			
18	1			1134-1949-01	Fjäder .....	Spring .....			
19	1			9699-0060-02	Planbricka .....	Flat washer .....			
20	1			1134-4848-01	Transaxel .....	Transaxle .....		Kanzaki K46G	
21	4			9997-0865-12	Skruv .....	Screw .....			
22	4			9747-0831-02	Mutter .....	Lock nut .....			
23	1			1134-3913-01	Reaktionsstag .....	Strut .....			
24	1			9959-0825-16	Skruv .....	Screw .....			
25	1			9997-0845-12	Skruv .....	Screw .....			
26	1			9699-0028-02	Planbricka .....	Flat washer .....			
27	2			9747-0831-02	Mutter .....	Lock nut .....			
28	1			9747-0631-02	Låsmutter .....	Lock nut .....			
29	1			1134-2765-02	Oljetank .....	Oil tank .....			
30	1			1134-2777-02	Tanklock .....	Filler cap .....			
31	1			1134-3734-01	Luftningsplugg .....	Vent plug .....			
32	1			1134-2778-01	Fästband .....	Retainer strap .....			
33	2			9852-8013-16	Skruv .....	Screw .....			
34	2			9699-0099-02	Bricka .....	Washer .....			
35	2			9578-0023-04	Slangklämma .....	Hose clamp .....			
36	1			1134-2779-07	Slang .....	Tube .....		L = 140 mm	
40	1			1134-4015-01	Dragstång .....	Pull rod .....			
41	1			1134-4014-01	Plastknopp .....	Plastic button .....			
42	1			1134-4713-01	Vinkel .....	Bracket .....			
43	1			1134-2790-01	Gummihylsa .....	Rubber grommet .....			
44	1			9959-0816-16	Skruv .....	Screw .....			
45	1			9739-0831-22	Mutter .....	Nut .....			
46	1			9675-0009-02	Starlock .....	Starlock .....			
51	1			1134-3289-02	Remstyrning .....	Belt guide .....			
52	1			9959-0820-16	Skruv .....	Screw .....			
53	1			9699-0056-02	Planbricka .....	Flat washer .....			
54	1			9739-0831-22	Mutter .....	Nut .....			



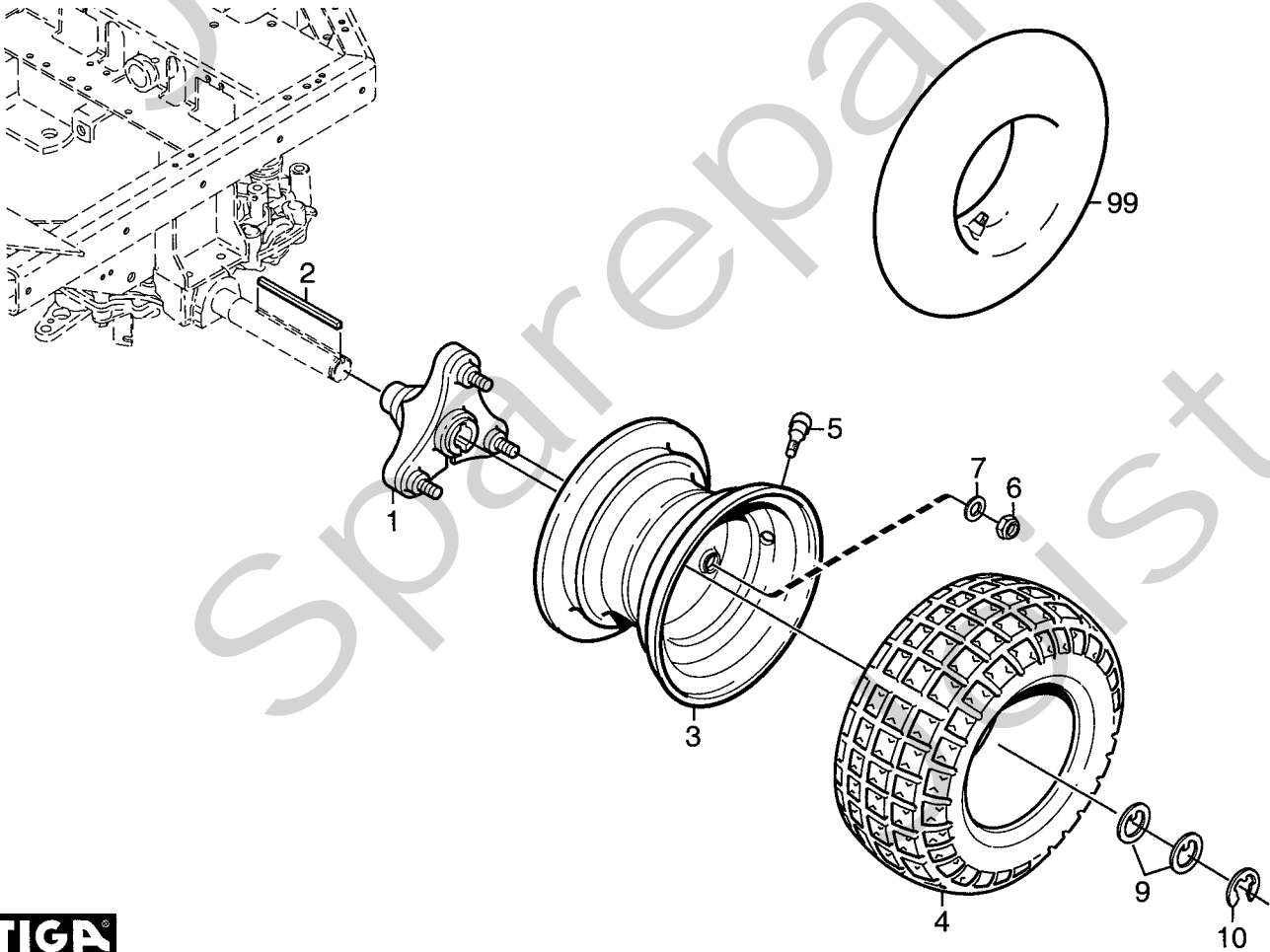
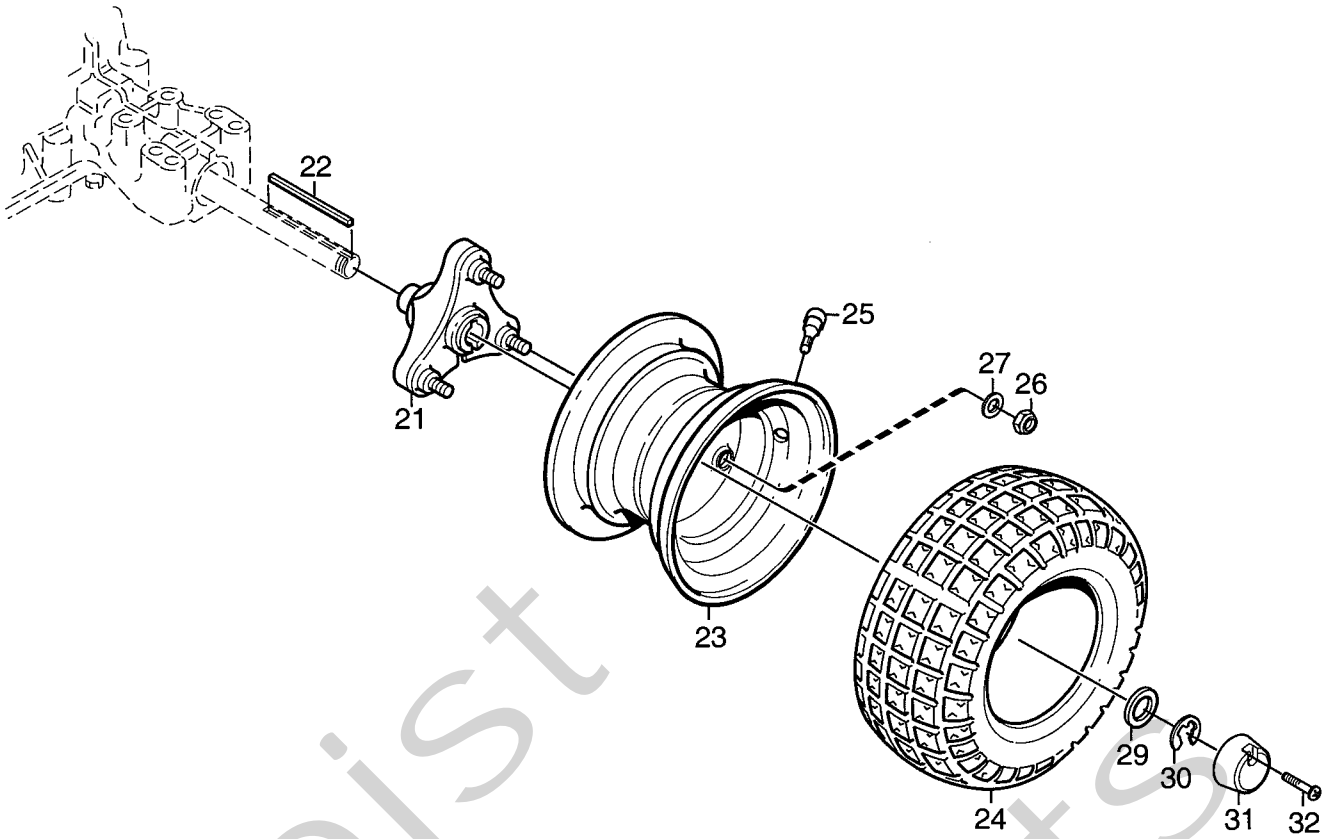
Utgåva Issue		Bildnr Picture No		PARK COMPACT 4WD TRANSMISSION (mekaniska delar)		PARK COMPACT 4WD TRANSMISSION (mechanical parts)		Sida Page	
2006-11		2027						34	
Pos. Fig.	Antal/Quantity			Art nr Part No	Benämning	Description	Sats Kit	Anmärkning Notes	
	6104								
1	1			1134-4000-02	Spännarm.....	Tension arm.....			
2	1			1134-3459-01	Spännrulle.....	Tension roller.....			
3	1			9924-1035-16	Skruv.....	Screw.....			
4	1			9799-1031-02	Mutter.....	Nut.....			
5	1			1134-9058-01	Drivrem.....	V-belt.....		= 9585-0091-01	
6	1			9997-0625-16	Skruv.....	Screw.....			
7	1			9739-0631-22	Mutter.....	Nut.....			
8	1			9747-0631-02	Låsmutter.....	Lock nut.....			
9	1			1134-3377-02	Reglagestång.....	Control rod.....			
10	1			1134-4171-01	Ledtapp.....	Pivot pin.....			
11	1			1134-4183-01	Tryckfjäder.....	Compression spring.....			
12	2			1134-3456-01	Bussning.....	Bushing.....			
13	1			9747-0631-02	Låsmutter.....	Lock nut.....			
14	1			1134-1565-08	Distans.....	Spacer.....			
15	1			9997-0870-16	Skruv.....	Screw.....			
16	1			9699-0056-02	Planbricka.....	Flat washer.....			
17	1			9747-0831-02	Mutter.....	Lock nut.....			
18	1			1134-3289-02	Remstyrning.....	Belt guide.....			
19	1			9959-0820-16	Skruv.....	Screw.....			
20	1			9699-0056-02	Planbricka.....	Flat washer.....			
21	1			9739-0831-22	Mutter.....	Nut.....			
22	1			1134-1949-01	Fjäder.....	Spring.....			
23	1			9699-0060-02	Planbricka.....	Flat washer.....			
X 24	1			1134-6028-01	Transaxel.....	Transaxle.....		Kanzaki K574B	
25	4			9997-0865-12	Skruv.....	Screw.....			
26	4			9747-0831-02	Mutter.....	Lock nut.....			
27	1			1134-3913-01	Reaktionsstag.....	Strut.....			
28	1			9959-0825-16	Skruv.....	Screw.....			
29	1			9997-0845-12	Skruv.....	Screw.....			
30	1			9699-0028-02	Planbricka.....	Flat washer.....			
31	2			9747-0831-02	Mutter.....	Lock nut.....			
32	1			9747-0631-02	Låsmutter.....	Lock nut.....			
33	1			4231-0013-00	Fjäder.....	Spring.....			
X 40	1			1134-6029-01	Motoraxel- fram.....	Motor unit- front.....		Kanzaki KTM 10M	
41	1			1134-5650-01	Transaxelfäste.....	Transaxle bracket.....			
42	2			9997-0860-16	Skruv.....	Screw.....			
43	2			9699-0090-02	Planbricka.....	Flat washer.....			
44	2			9747-0831-02	Mutter.....	Lock nut.....			
45	1			9959-1025-16	Skruv.....	Screw.....			
46	1			9747-1031-02	Låsmutter.....	Lock nut.....			
47	2			9997-0865-12	Skruv.....	Screw.....			
48	2			9699-0090-02	Planbricka.....	Flat washer.....			
49	2			9747-0831-02	Mutter.....	Lock nut.....			
50	1			1134-5703-01	Flänslagerenhet.....	Flange bearing.....			
50A	1			9501-0500-00	• Smörjnippel.....	• Grease joint.....			
51	2			9997-1040-16	Skruv.....	Screw.....			
52	2			9747-1031-02	Låsmutter.....	Lock nut.....			
53	1			1134-5670-01	Reaktionsstag.....	Strut.....			
54	1			9997-0880-16	Skruv.....	Screw.....			
55	1			9699-0090-02	Planbricka.....	Flat washer.....			
56	1			9747-0831-02	Mutter.....	Lock nut.....			
57	2			9945-0816-16	Skruv.....	Screw.....			



Utgåva Issue		Bildnr Picture No		PARK COMPACT 4WD TRANSMISSION (hydrauliska delar)		PARK COMPACT 4WD TRANSMISSION (hydraulic parts)		Sida Page	
2006-11		2028						36	
Pos. Fig.	Antal/Quantity			Art nr Part No	Benämning	Description	Sats Kit	Anmärkning Notes	
	6104								
X	1	1		1134-6044-01	Vinkeladapter.....	Angle coupling.....		3/4" x 9/16"	
	1A	1		9404-0029-01	• O-ring.....	• O-ring.....			
	2	1		1134-5875-01	Skärringskoppling.....	Hydraulic coupling.....		3/4"	
	2A	1		9404-0029-01	• O-ring.....	• O-ring.....			
X	3	1		1134-6039-01	Hydraulrör.....	Hydraulic pipe.....			
	4	1		1134-4948-01	Tredobricka.....	Seal washer.....		1/4"	
X	5	1		1134-6042-01	Snabbkoppling-hane.....	Quick coupling-male.....			
X	6	1		9578-0028-01	Rörklammer.....	Tube clamp.....			
	7	1		9959-0825-16	Skruv.....	Screw.....			
	8	1		1134-1565-09	Distans.....	Spacer.....			
	9	1		1134-5809-01	Adapter.....	Hydraulic coupling.....		3/4" x 9/16"	
	9A	1		9404-0029-01	• O-ring.....	• O-ring.....			
	10	1		1134-5758-01	Hydraulslang.....	Hydraulic tube.....			
X	11	1		1134-6048-01	Hydraulslang.....	Hydraulic tube.....			
X	12	1		1134-6043-01	Hydraulslang.....	Hydraulic tube.....			
X	13	1		1134-6011-01	Hydraultank.....	Hydraulic oil tank.....			
	13A	1		1134-5965-01	• Tanklock.....	• Tank cap.....			
X	14	1		1134-6009-01	Tankkonsol.....	Tank bracket.....			
	15	1		9959-0820-16	Skruv.....	Screw.....			
	16	1		9739-0831-22	Mutter.....	Nut.....			
	17	1		9945-0816-16	Skruv.....	Screw.....			
X	18	1		1134-6030-01	Tankbygel.....	Tank loop.....			
	19	2		9747-0631-02	Låsmutter.....	Lock nut.....			
	20	3		9578-0023-04	Slangklämma.....	Hose clamp.....			
X	21	1		1134-2779-08	Slang.....	Tube.....		L = 165 mm	
X	30	1		1134-6162-01	Fäste.....	Bracket.....			
	31	2		9939-0612-16	Skruv.....	Screw.....			
	32	2		9699-0025-02	Planbricka.....	Washer.....			
X	33	1		1134-6163-01	Wire.....	Cable.....			
	34	1		9997-0835-12	Skruv.....	Screw.....			
	35	2		9739-0831-22	Mutter.....	Nut.....			
X	36	1		1134-6084-01	Reglagekonsol.....	Control bracket.....			
X	37	1		1134-6083-01	Reglagestång.....	Control rod.....			
	38	1		1134-4014-01	Plastknopp.....	Plastic button.....			
	39	1		1134-2790-01	Gummihylsa.....	Rubber grommet.....			
	40	1		9675-0009-02	Starlock.....	Starlock.....			
	50	1		1134-4015-01	Dragstång.....	Pull rod.....			
	51	1		1134-4014-01	Plastknopp.....	Plastic button.....			
	52	1		1134-4713-01	Vinkel.....	Bracket.....			
	53	1		1134-2790-01	Gummihylsa.....	Rubber grommet.....			
	54	1		9959-0816-16	Skruv.....	Screw.....			
	55	1		9739-0831-22	Mutter.....	Nut.....			
	56	1		9675-0009-02	Starlock.....	Starlock.....			

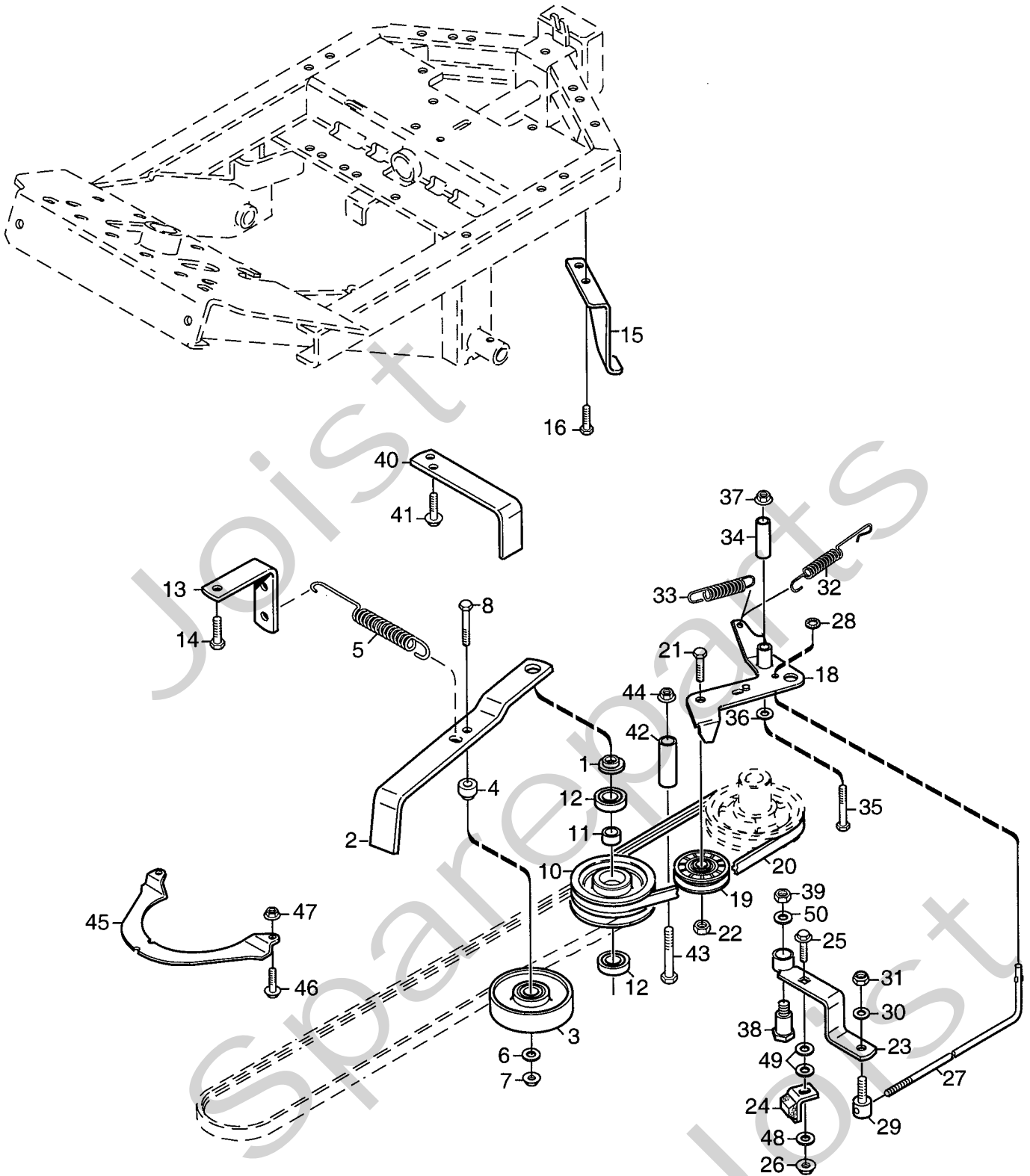


Utgåva Issue		Bildnr Picture No		PARK COMPACT 2WD HJUL		PARK COMPACT 2WD WHEELS		Sida Page	
2006-11		1346B						38	
Pos. Fig.	Antal/Quantity			Art nr Part No	Benämning	Description	Sats Kit	Anmärkning Notes	
	6101	6102	6103						
1	2			1134-0075-01	Framaxeltapp .....	Front axle .....			
2	2			9595-0258-00	Spännstift .....	Locating pin .....			
3	2			1134-4844-05	Hjulnav kpl .....	Wheel hub assy .....			
3A	1			9501-0500-00	• Smörjnippel .....	• Grease joint .....			
4	1			1134-9026-01	• Lagerbussning .....	• Bearing bush kit .....		Sats 4 st/kit of 4	
5	2			1134-5255-01	Fälg .....	Rim .....			
6	2			9545-0126-01	Däck .....	Tyre .....		16 x 6.00 - 8	
7	2			9545-0500-00	Ventil .....	Valve .....			
8	6			9747-1031-02	Låsmutter .....	Lock nut .....			
9	6			9699-0035-02	Planbricka .....	Flat washer .....			
10	8			1134-0341-01	Bricka .....	Washer .....			
11	2			9599-0080-02	Saxsprint .....	Cotter pin .....			
12	2			1134-4844-02	Hjulnav .....	Wheel hub .....			
13	2			1134-5255-01	Fälg .....	Rim .....			
14	2			9545-0126-01	Däck .....	Tyre .....		16 x 6.00 - 8	
15	2			9545-0500-00	Ventil .....	Valve .....			
16	6			9747-1031-02	Låsmutter .....	Lock nut .....			
17	6			9699-0035-02	Planbricka .....	Flat washer .....			
18	2			1134-4796-01	Navkapsel .....	Hub cap .....			
19	2			9947-0540-19	Skruv .....	Screw .....			
20	2			1134-2471-01	Kil .....	Key .....			
21	2			9699-0042-02	Planbricka .....	Flat washer .....			
22	2			9653-0001-04	Spårryttare .....	Lock ring .....			
26	2			9699-0042-02	Planbricka .....	Flat washer .....			
99				9545-0203-00	Innerslang .....	Inner tube .....		Reservdel/spare part	

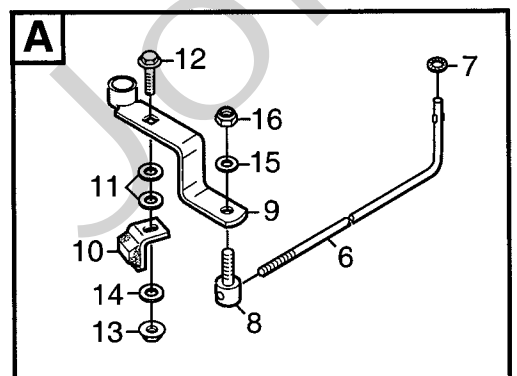
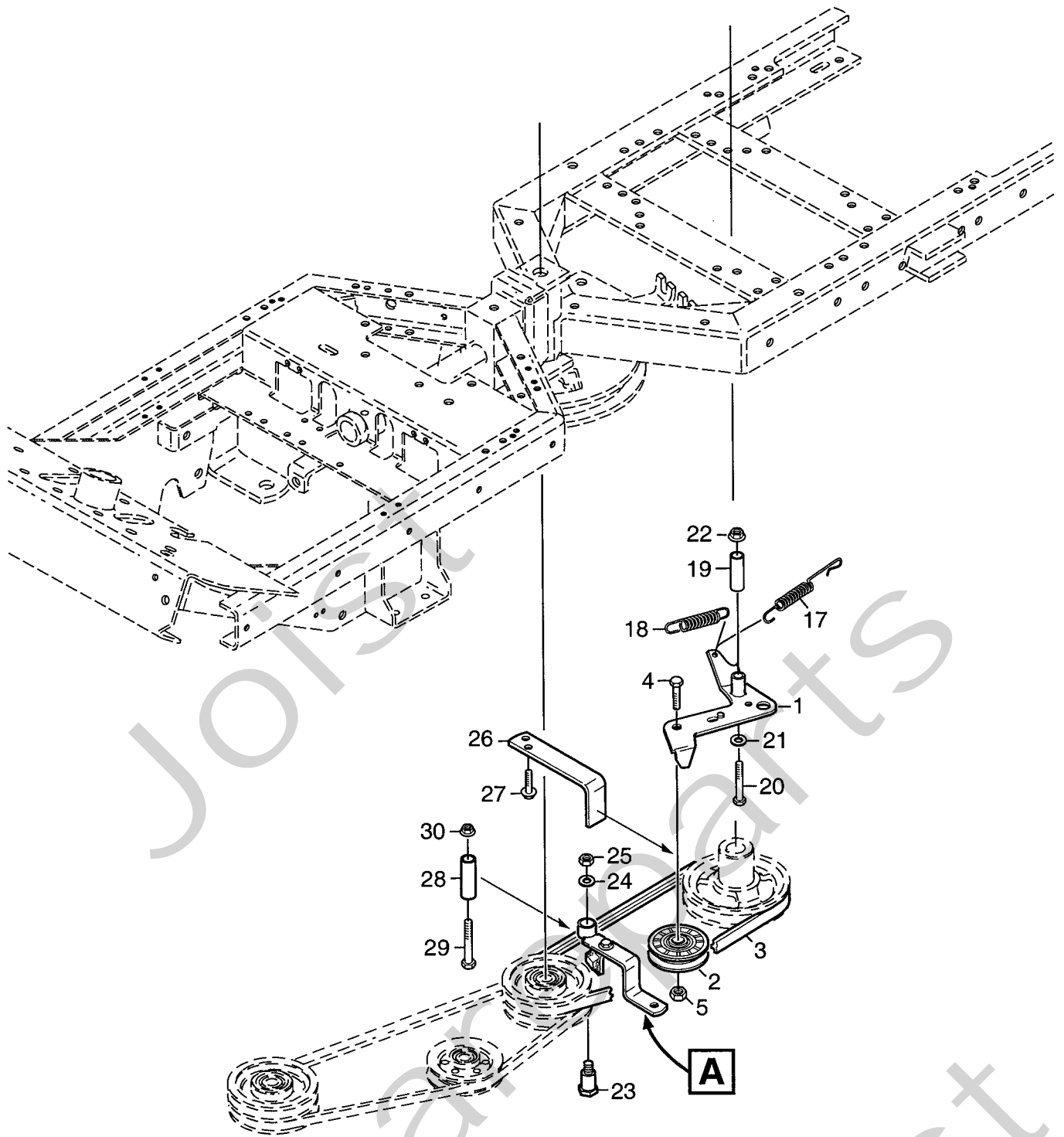




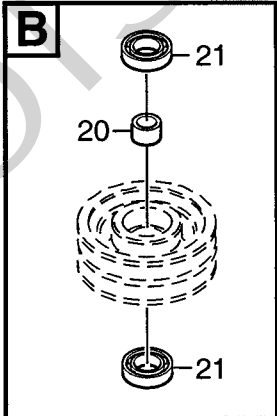
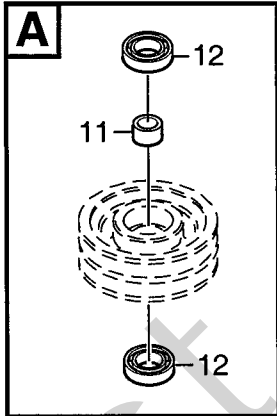
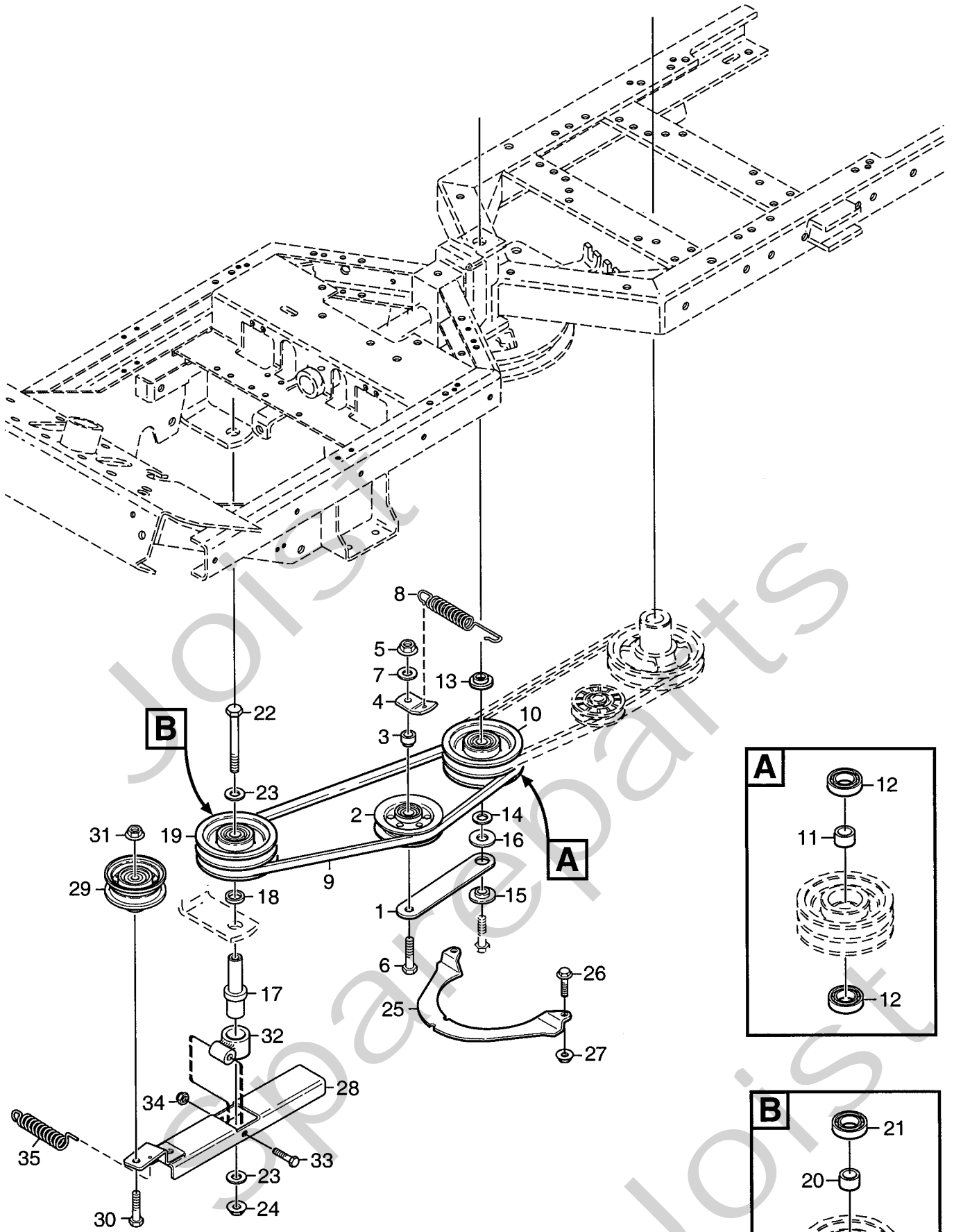
Utgåva Issue		Bildnr Picture No		PARK COMPACT 4WD HJUL		PARK COMPACT 4WD WHEELS		Sida Page	
2006-11		2029						40	
Pos. Fig.	Antal/Quantity			Art nr Part No	Benämning	Description	Sats Kit	Anmärkning Notes	
	6104								
1	2			1134-4844-03	Hjulnav .....	Wheel hub .....			
2	2			1134-3383-02	Kil .....	Key .....			
3	2			1134-5255-01	Fälg.....	Rim .....			
4	2			9545-0126-01	Däck .....	Tyre .....		16 x 6.00 - 8	
5	2			9545-0500-00	Ventil .....	Valve .....			
6	6			9747-1031-02	Låsmutter .....	Lock nut .....			
7	6			9699-0035-02	Planbricka.....	Flat washer.....			
9	4			1134-5797-01	Bricka .....	Washer .....			
10	2			9653-0002-04	Spårryttare .....	Lock ring .....			
21	2			1134-4844-02	Hjulnav .....	Wheel hub .....			
22	2			1134-2471-01	Kil .....	Key .....			
23	2			1134-5255-01	Fälg.....	Rim .....			
24	2			9545-0126-01	Däck .....	Tyre .....		16 x 6.00 - 8	
25	2			9545-0500-00	Ventil .....	Valve .....			
26	6			9747-1031-02	Låsmutter .....	Lock nut .....			
27	6			9699-0035-02	Planbricka.....	Flat washer.....			
29	2			9699-0042-02	Planbricka.....	Flat washer.....			
30	2			9653-0001-04	Spårryttare .....	Lock ring .....			
31	2			1134-4796-01	Navkapsel .....	Hub cap .....			
32	2			9947-0540-19	Skruv .....	Screw .....			
99				9545-0203-00	Innerslang .....	Inner tube .....		Reservdel/spare part	



Utgåva Issue		Bildnr Picture No		PARK COMPACT 2WD KRAFTUTTAG		PARK COMPACT 2WD POWER TAKE-OFF		Sida Page	
2006-11		1030E						42	
Pos. Fig.	Antal/Quantity			Art nr Part No	Benämning	Description	Sats Kit	Anmärkning Notes	
	6101	6102	6103						
1	1			1134-5548-01	Distans .....	Spacer .....			
2	1			1134-5109-01	Spännhjularm .....	Tension wheel arm .....			
3	1			1134-1770-01	Spännrulle .....	Tension roller .....			
4	1			1134-1888-04	Distans .....	Spacer .....			
5	1			1134-5111-01	Fjäder .....	Spring .....			
6	1			9699-0056-02	Planbricka .....	Flat washer .....			
7	1			9739-0831-22	Mutter .....	Nut .....			
8	1			9997-0855-12	Skruv .....	Screw .....			
10	1			1134-1769-03	Centrumremskiva kpl. ....	Centre pulley assy. ....			
11	1			1134-0051-09	• Distans .....	• Spacer .....			
12	2			9549-0019-00	• Kullager .....	• Ball bearing .....			
13	1			1134-5112-01	Fjäderfäste .....	Spring attachment .....			
14	2			9945-0816-16	Skruv .....	Screw .....			
15	1			1134-5110-01	Hake .....	Hook .....			
16	2			9893-0616-16	Skruv .....	Screw .....			
18	1			1134-2018-02	Spännarm .....	Tension arm .....			
19	1			1134-9027-01	Spännrulle .....	Tension roller .....			
20	1			1134-9071-01	Drivrem .....	V-belt .....			
21	1			9997-1030-16	Skruv .....	Screw .....		= 9585-0129-01	
22	1			9799-1031-02	Mutter .....	Nut .....			
23	1			1134-4111-01	Bromsarm .....	Brake arm .....			
24	1			1134-4164-03	Bromsklots .....	Brake pad .....			
25	1			9897-0825-16	Skruv .....	Screw .....			
26	1			9747-0831-02	Mutter .....	Lock nut .....			
27	1			1134-4162-01	Bromsstång .....	Brake rod .....			
28	1			9675-0008-02	Starlock .....	Locking washer .....			
29	1			1134-4170-01	Nippel .....	Nipple .....			
30	1			9699-0025-02	Planbricka .....	Washer .....			
31	1			9747-0631-02	Låsmutter .....	Lock nut .....			
32	1			4231-0013-00	Fjäder .....	Spring .....			
33	1			1134-4231-01	Dragfjäder .....	Spring .....			
34	1			1134-1565-10	Distans .....	Spacer .....			
35	1			9997-0865-12	Skruv .....	Screw .....			
36	1			9699-0056-02	Planbricka .....	Flat washer .....			
37	1			9739-0831-22	Mutter .....	Nut .....			
38	1			1134-4163-01	Ansatsskruv .....	Shoulder bolt .....			
39	1			9747-1031-02	Låsmutter .....	Lock nut .....			
40	1			1134-3958-01	Remstyrning .....	Belt guide .....			
41	2			9893-0616-16	Skruv .....	Screw .....			
42	1			1134-0041-03	Hylsa .....	Collar .....			
43	1			9997-1070-12	Skruv .....	Screw .....			
44	1			9739-1031-22	Mutter .....	Nut .....			
45	1			1134-3654-01	Fingerskydd .....	Finger guard .....			
46	2			9959-0612-16	Skruv .....	Screw .....			
47	2			9739-0631-22	Mutter .....	Nut .....			
48	1			9699-0090-02	Planbricka .....	Flat washer .....			
49	2			9699-0035-02	Planbricka .....	Flat washer .....			
50	1			9699-0035-02	Planbricka .....	Flat washer .....			



Utgåva Issue		Bildnr Picture No		PARK COMPACT 4WD KRAFTUTTAG 1		PARK COMPACT 4WD POWER TAKE-OFF 1		Sida Page	
2006-11		2030						44	
Pos. Fig.	Antal/Quantity			Art nr Part No	Benämning	Description	Sats Kit	Anmärkning Notes	
	6104								
1	1			1134-2018-02	Spännarm .....	Tension arm .....			
2	1			1134-9027-01	Spännrulle .....	Tension roller .....			
3	1			1134-9071-01	Drivrem .....	V-belt .....		= 9585-0129-01	
4	1			9997-1030-16	Skruv .....	Screw .....			
5	1			9799-1031-02	Mutter .....	Nut .....			
6	1			1134-4162-01	Bromsstång .....	Brake rod .....			
7	1			9675-0008-02	Starlock .....	Locking washer .....			
8	1			1134-4170-01	Nippel .....	Nipple .....			
9	1			1134-4111-01	Bromsarm .....	Brake arm .....			
10	1			1134-4164-03	Bromsklots .....	Brake pad .....			
11	2			9699-0035-02	Planbricka .....	Flat washer .....			
12	1			9897-0825-16	Skruv .....	Screw .....			
13	1			9747-0831-02	Mutter .....	Lock nut .....			
14	1			9699-0090-02	Planbricka .....	Flat washer .....			
15	1			9699-0025-02	Planbricka .....	Washer .....			
16	1			9747-0631-02	Låsmutter .....	Lock nut .....			
17	1			4231-0013-00	Fjäder .....	Spring .....			
18	1			1134-4231-01	Dragfjäder .....	Spring .....			
19	1			1134-1565-10	Distans .....	Spacer .....			
20	1			9997-0865-12	Skruv .....	Screw .....			
21	1			9699-0056-02	Planbricka .....	Flat washer .....			
22	1			9739-0831-22	Mutter .....	Nut .....			
23	1			1134-4163-01	Ansattsskruv .....	Shoulder bolt .....			
24	1			9699-0035-02	Planbricka .....	Flat washer .....			
25	1			9739-1031-22	Mutter .....	Nut .....			
26	1			1134-3958-01	Remstyrning .....	Belt guide .....			
27	2			9893-0616-16	Skruv .....	Screw .....			
28	1			1134-0041-03	Hylsa .....	Collar .....			
29	1			9997-1070-12	Skruv .....	Screw .....			
30	1			9739-1031-22	Mutter .....	Nut .....			



Utgåva Issue		Bildnr Picture No		PARK COMPACT 4WD KRAFTUTTAG 2		PARK COMPACT 4WD POWER TAKE-OFF 2		Sida Page	
2006-11		2031						46	
Pos. Fig.	Antal/Quantity			Art nr Part No	Benämning	Description	Sats Kit	Anmärkning Notes	
	6104								
1	1			1134-1730-01	Spännhjulssarm .....	Tension wheel arm .....			
2	1			1134-3663-01	Spännrulle .....	Tension wheel .....			
3	1			1134-1888-05	Distans .....	Spacer .....			
4	1			1134-1893-01	Fjäderfäste .....	Spring attachment .....			
5	1			9739-1031-22	Mutter .....	Nut .....			
6	1			9997-1060-12	Skruv .....	Screw .....			
7	1			9699-0035-02	Planbricka .....	Flat washer .....			
8	1			1134-5713-01	Dragfjäder .....	Spring .....			
9	1			1134-9098-01	Drivrem .....	V-belt .....		= 9585-0148-01	
10	1			1134-1769-03	Centrumremskiva kpl. ....	Centre pulley assy .....			
11	1			1134-0051-09	• Distans .....	• Spacer .....			
12	2			9549-0019-00	• Kullager .....	• Ball bearing .....			
13	1			1134-5548-01	Distans .....	Spacer .....			
14	1			9699-0035-02	Planbricka .....	Flat washer .....			
15	1			1134-0222-00	Bricka .....	Washer .....			
16	1			9699-0109-02	Planbricka .....	Flat washer .....			
17	1			1134-5663-01	Axel .....	Shaft .....			
18	1			1134-0052-00	Lagerdistans .....	Bearing spacer .....			
19	1			1134-1769-03	Centrumremskiva kpl. ....	Centre pulley assy .....			
20	1			1134-0051-09	• Distans .....	• Spacer .....			
21	2			9549-0019-00	• Kullager .....	• Ball bearing .....			
22	1			9997-1011-06	Skruv .....	Screw .....			
23	2			9699-0030-02	Planbricka .....	Flat washer .....			
24	1			9739-1031-22	Mutter .....	Nut .....			
25	1			1134-3654-01	Fingerskydd .....	Finger guard .....			
26	2			9959-0612-16	Skruv .....	Screw .....			
27	2			9739-0631-22	Mutter .....	Nut .....			
28	1			1134-5660-01	Spännarm .....	Tension arm .....			
29	1			1134-5823-01	Spännrulle .....	Tension roller .....			
30	1			9997-1050-16	Skruv .....	Screw .....			
31	1			9739-1031-22	Mutter .....	Nut .....			
32	1			1134-5232-01	Spännarmsfäste .....	Attachment .....			
33	1			9997-0645-12	Skruv .....	Screw .....			
34	1			9747-0631-02	Låsmutter .....	Lock nut .....			
35	1			1134-5824-01	Fjäder .....	Spring .....			