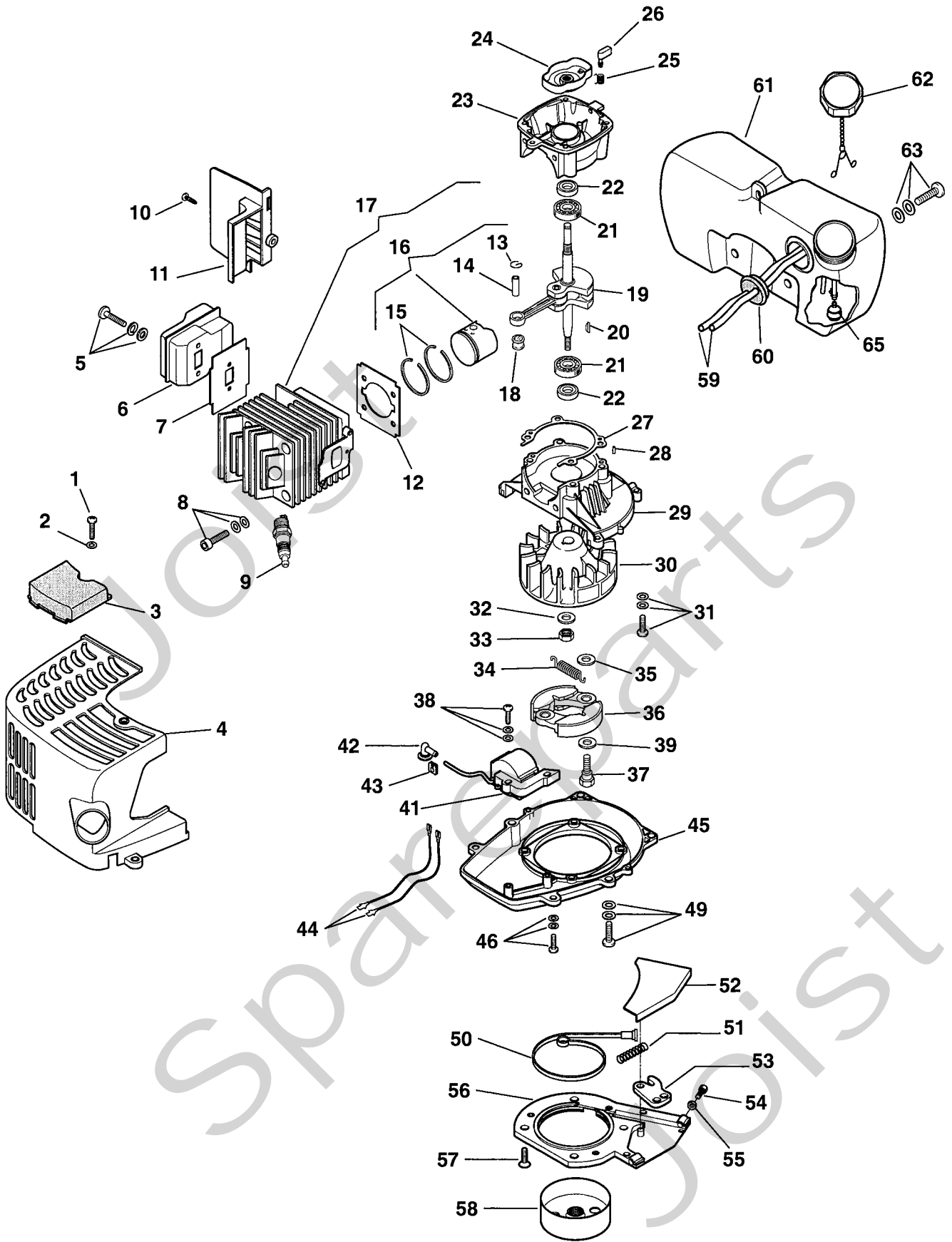


# Genuine Spare Parts

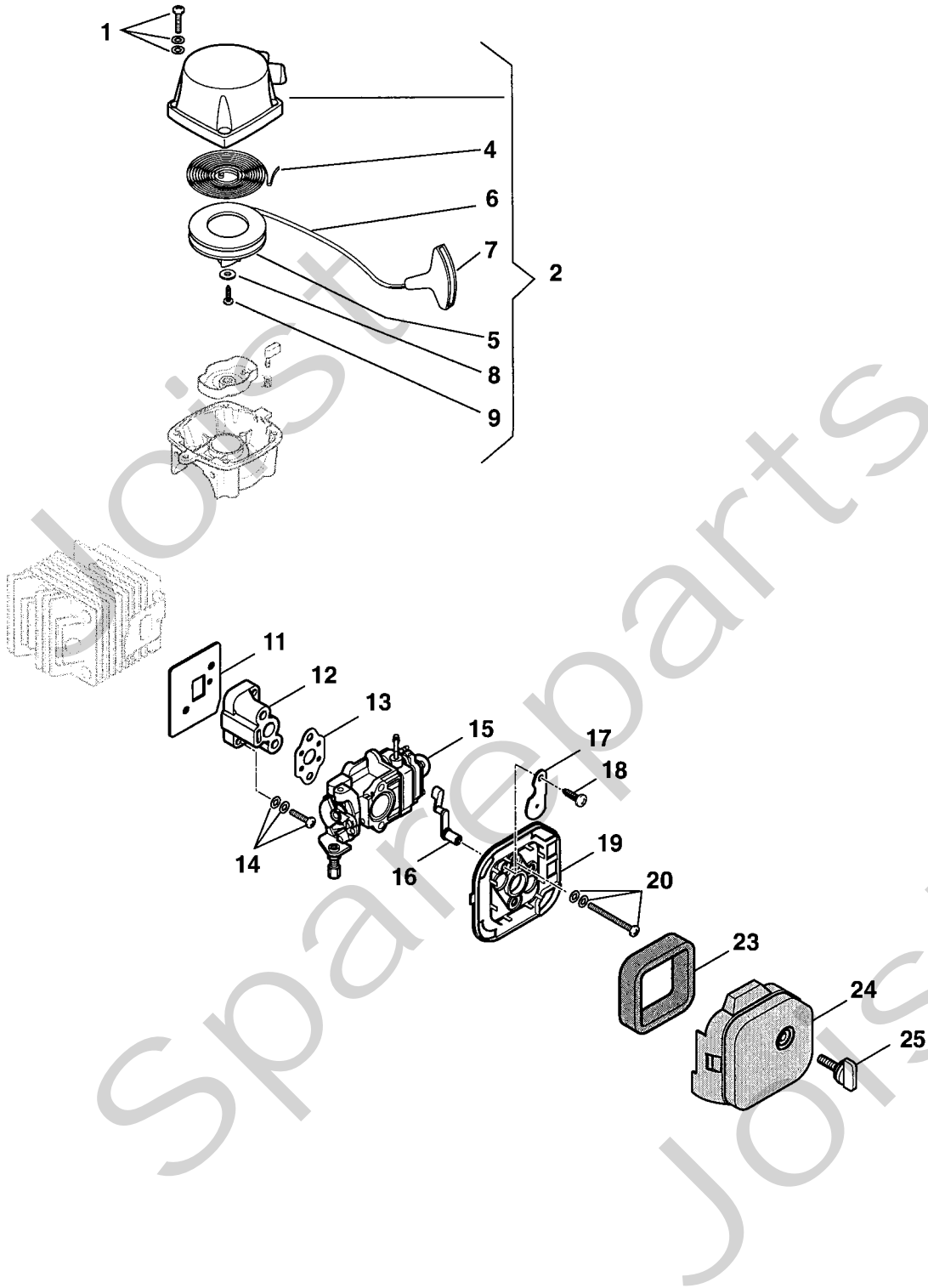
---



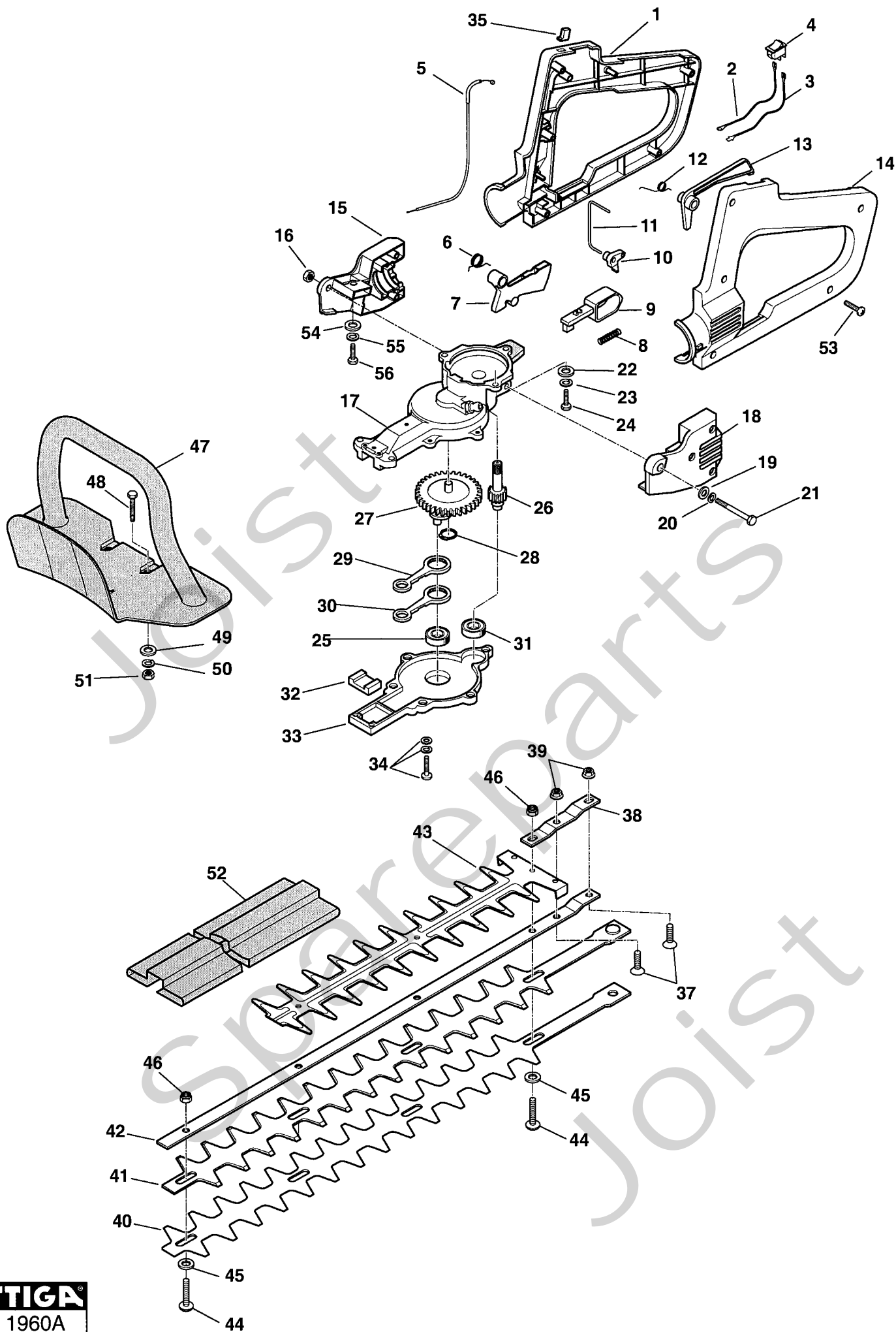
Joist  
Spareparts  
Joist



Utgåva Issue 2006-12		Bildnr Picture No 1961A		SH 160 HÄCKSAX MOTOR		SH 160 HEDGE TRIMMER ENGINE		Sida Page 326	
Pos. Fig.	Antal/Quantity			Art nr Part No	Benämning	Description	Sats Kit	Anmärkning Notes	
	5121 -13								
1	1			1911-4337-01	Skrivsats.....	Screw set.....			
2	1			1911-4369-01	Bricka.....	Washer.....			
3	1			1911-4373-01	Deflektor.....	Deflector.....			
4	1			1911-4372-01	Motorkåpa- gul.....	Engine cover- yellow.....			
5	2			1911-4336-01	Skrivsats.....	Screw set.....			
6	1			1911-4374-01	Ljuddämpare.....	Muffler.....			
7	1			1911-4316-01	Ljuddämparskydd.....	Muffler shield.....			
8	4			1911-4334-01	Skrivsats.....	Screw set.....			
9	1			1911-4377-01	Tändstift.....	Spark plug.....			
10	1			1911-4337-01	Skrivsats.....	Screw set.....			
11	1			1911-4318-01	Skydd.....	Guard.....			
12	1			1911-4279-01	Cylinderpackning.....	Cylinder gasket.....			
13	2			1911-4290-01	.. Låsring.....	.. Lock ring.....			
14	1			1911-4289-01	.. Kolvbult.....	.. Piston pin.....			
15	2			1911-4288-01	.. Kolvring.....	.. Piston ring.....			
16	1			1911-4287-01	.. Kolv.....	.. Piston.....		Inkl. pos 13 - 15	
17	1			1911-4278-01	Cylinder- kolv kpl.....	Cylinder- piston assy.....		Inkl. pos 16	
18	1			1911-4292-01	Nållager.....	Needle bearing.....			
19	1			1911-4291-01	Vevaxel.....	Crankshaft.....			
20	1			1911-4323-01	Kil.....	Key.....			
X 21	2			6981110	Kullager.....	Ball bearing.....			
22	2			1911-4283-01	Tätningring.....	Seal ring.....			
23	1			1911-4281-01	Vevhus- bakre.....	Crankcase- rear.....			
24	1			1911-4306-01	Startkopp.....	Starter cup.....			
25	1			1911-4345-01	Fjäder.....	Spring.....			
26	1			1911-4305-01	Startspärr.....	Starter hook.....			
27	1			1911-4282-01	Packning.....	Gasket.....			
28	2			1911-4342-01	Centrerstift.....	Centering pin.....			
29	1			1911-4280-01	Vevhus- främre.....	Crankcase- front.....			
30	1			1911-4277-01	Svånghjul.....	Flywheel.....			
31	4			1911-4328-01	Skrivsats.....	Screw set.....			
32	1			1911-4343-01	Bricka.....	Washer.....			
33	1			1911-4358-01	Mutter.....	Nut.....			
X 34	1			1911-4309-01	Fjäder.....	Spring.....			
35	2			1911-4430-01	Bricka.....	Washer.....			
36	2			1911-4307-01	Koppling.....	Clutch unit.....			
37	2			1911-4310-01	Skruv.....	Screw.....			
38	2			1911-4337-01	Skrivsats.....	Screw set.....			
39	2			1911-4308-01	Bricka.....	Washer.....			
41	1			1911-4418-01	Elektronikspole.....	Electronic coil.....			
42	1			1911-4298-01	Tändstiftshatt.....	Spark plug cover.....			
43	1			1911-4348-01	Kabelhållare.....	Cable retainer.....			
44	2			1911-4297-01	Kabel.....	Switch wire.....			
45	1			1911-4419-01	Stöd.....	Support.....			
46	2			1911-4337-01	Skrivsats.....	Screw set.....			
49	4			1911-4339-01	Skrivsats.....	Screw set.....			
50	1			1911-4417-01	Bromsband.....	Brake band.....			
51	1			1911-4416-01	Fjäder.....	Spring.....			
52	1			1911-4412-01	Lock.....	Cover.....			
53	1			1911-4415-01	Arm.....	Lever.....			
54	1			1911-4414-01	Skruv.....	Screw.....			
55	1			1911-4413-01	Mutter.....	Nut.....			
56	1			1911-4411-01	Fläns.....	Flange.....			
57	4			1911-4359-01	Skruv.....	Screw.....			
58	1			1911-4378-01	Kopplingstrumma.....	Clutch drum.....			
59	2			1911-4313-01	Bränsleslang.....	Fuel hose.....			
60	1			1911-4314-01	Gummihylsa.....	Grommet.....			
X 61	1			1911-4311-01	Bränsletank.....	Fuel tank.....			
62	1			1911-4424-01	Tanklock.....	Fuel tank cap.....			
63	3			1911-4327-01	Skrivsats.....	Screw set.....			
65	1			1911-4255-01	Bensinfilter.....	Intake filter.....			



Utgåva Issue 2006- 12		Bildnr Picture No 1962A		SH 160 HÄCKSAX FÖRGASARE		SH 160 HEDGE TRIMMER CARBURETTOR		Sida Page 328	
Pos. Fig.	Antal/Quantity			Art nr Part No	Benämning	Description	Sats Kit	Anmärkning Notes	
	5121 -13								
X	1	4		1911- 4337- 01	Skrivsats.....	Screw set .....		Inkl. pos 4 - 9	
	2	1		1911- 4516- 01	Start kpl.....	Starter assy .....			
	4	1		1911- 4300- 01	• Returfjäder.....	• Rewind spring .....			
	5	1		1911- 4301- 01	• Linhjul.....	• Starter pulley .....			
	6	1		1911- 4304- 01	• Startsnöre.....	• Starter cord .....			
	7	1		1911- 4302- 01	• Starthandtag .....	• Starter handle.....			
	8	1		1911- 4353- 01	• Bricka .....	• Washer .....			
	9	1		1911- 4360- 01	• Skruv .....	• Screw .....			
	11	1		1911- 4286- 01	Packning.....	Gasket .....			
	12	1		1911- 4285- 01	Insugningsrör.....	Intake manifold .....			
	13	1		1911- 4293- 01	Packning- membransats .....	Gasket- diaphragm kit .....			
X	14	2		1911- 4428- 01	Skrivsats.....	Screw set .....		WYJ397	
	15	1		1911- 4123- 01	Förgasare kpl.....	Carburettor assy .....			
	16	1		1911- 4352- 01	Chokearm .....	Choke lever .....			
	17	1		1911- 4351- 01	Chokespjäll .....	Choke valve .....			
X	18	1		1911- 4429- 01	Skruv .....	Screw .....			
	19	1		1911- 4346- 01	Luffilterhus .....	Filter housing .....			
	20	2		1911- 4329- 01	Skrivsats.....	Screw set .....			
	23	1		1911- 4295- 01	Luffilter .....	Air filter .....			
	24	1		1911- 4349- 01	Filterlock.....	Filer cover .....			
	25	1		1911- 4347- 01	Skruv .....	Screw .....			



Utgåva Issue 2006-12		Bildnr Picture No 1960A		SH 160 HÄCKSAX KNIVSYSTEM		SH 160 HEDGE TRIMMER CUTTING UNIT		Sida Page 324	
Pos. Fig.	Antal/Quantity			Art nr Part No	Benämning	Description	Sats Kit	Anmärkning Notes	
	5121 -13								
1	1			1911-4407-01	Handtag- hö .....	Handgrip- RH .....			
2	1			1911-4406-01	Jordkabel .....	Ground cable .....			
3	1			1911-4405-01	Kabel .....	Coil- switch cable .....			
4	1			1911-4408-01	Stoppkontakt .....	Stop switch .....			
5	1			1911-4402-01	Kabel .....	Wire .....			
6	1			1911-4400-01	Fjäder .....	Spring .....			
7	1			1911-4401-01	Gasreglage .....	Throttle lever .....			
8	1			1911-4396-01	Fjäder .....	Spring .....			
9	1			1911-4397-01	Inställningsspak .....	Adjusting knob .....			
10	1			1911-4399-01	Spärr .....	Hook .....			
11	1			1911-4398-01	Gasreglagelänk .....	Throttle rod .....			
12	1			1911-4403-01	Fjäder .....	Spring .....			
13	1			1911-4404-01	Säkerhetsspärr .....	Safety lever .....			
14	1			1911-4409-01	Handtag- vä .....	Handgrip- LH .....			
15	1			1911-4394-01	Stöd- hö .....	Support- RH .....			
16	1			1911-4357-01	Mutter .....	Nut .....			
17	1			1911-4379-01	Hus .....	Case .....			
18	1			1911-4395-01	Stöd- vä .....	Support- LH .....			
19	1			1911-4370-01	Bricka .....	Washer .....			
20	1			1911-4367-01	Bricka .....	Washer .....			
21	1			1911-4363-01	Skruv .....	Screw .....			
22	3			1911-4371-01	Bricka .....	Washer .....			
23	3			1911-4368-01	Bricka .....	Washer .....			
24	3			1911-4355-01	Skruv .....	Screw .....			
25	1			1911-4354-01	Kullager .....	Ball bearing .....			
26	1			1911-4389-01	Drev .....	Pinion .....			
27	1			1911-4390-01	Kugghjul .....	Sprocket .....			
28	1			1911-4366-01	Ring .....	Ring .....			
29	1			1911-4391-01	Vevstake .....	Connecting rod .....			
30	1			1911-4391-01	Vevstake .....	Connecting rod .....			
X 31	1			6981110	Kullager .....	Ball bearing .....			
32	1			1911-4383-01	Glidblock .....	Glide shoe .....			
33	1			1911-4393-01	Hus .....	Case .....			
X 34	6			1911-4425-01	Skruvsats .....	Screw set .....			
35	1			1911-4423-01	Knapp .....	Button .....			
X 37	2			1911-4432-01	Skruv .....	Screw .....			
38	1			1911-4380-01	Fäste .....	Plate .....			
X 39	2			1911-4431-01	Mutter .....	Nut .....			
40	1			1911-4385-01	Kniv- undre .....	Blade- bottom .....			
41	1			1911-4384-01	Kniv- övre .....	Blade- top .....			
42	1			1911-4382-01	Knivhållare .....	Blade holder .....			
43	1			1911-4381-01	Knivskydd .....	Blade guard .....			
44	4			1911-4387-01	Skruv .....	Screw .....			
45	4			1911-4386-01	Bricka .....	Washer .....			
X 46	4			1911-4426-01	Mutter .....	Nut .....			
47	1			1911-4410-01	Handtag- främre .....	Handle- front .....			
48	2			1911-4365-01	Skruv .....	Screw .....			
49	2			1911-4370-01	Bricka .....	Washer .....			
50	2			1911-4367-01	Bricka .....	Washer .....			
51	2			1911-4357-01	Mutter .....	Nut .....			
52	1			1911-4388-01	Knivskydd .....	Blade cover .....			
53	5			1911-4364-01	Skruv .....	Screw .....			
54	1			1911-4370-01	Bricka .....	Washer .....			
55	1			1911-4367-01	Bricka .....	Washer .....			
56	1			1911-4362-01	Skruv .....	Screw .....			