

Genuine Spare Parts

www.stiga.com

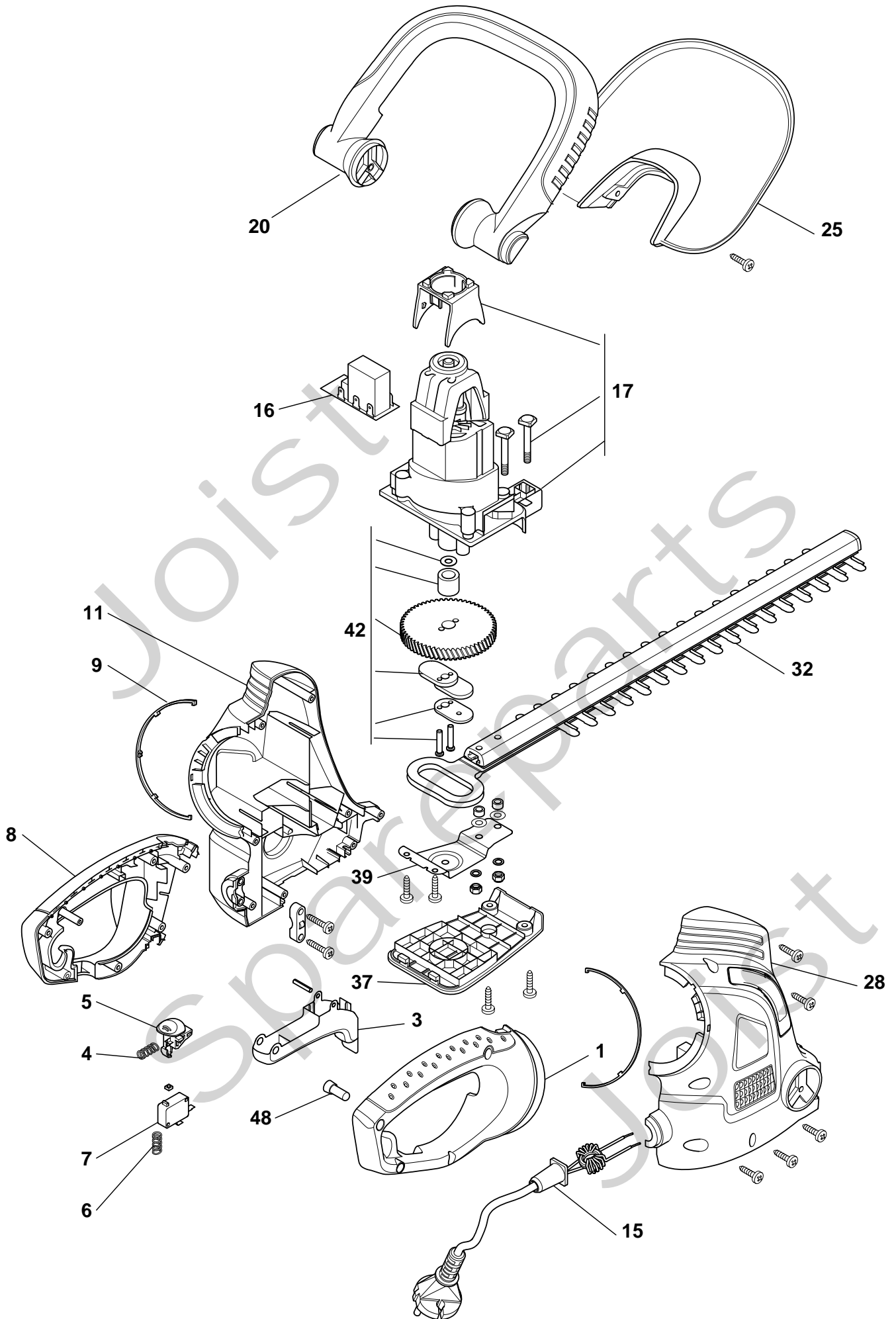
SHT 500 Model Year 2011

- Use GLOBAL GARDEN PRODUCT Genuine Spare Parts specified in the parts list for repair and/or replacement.
- The contents described in the parts list may change due to improvement.
- The drawings of the spare parts are only indicative and might not represent the part in question exactly.
- The indications "right" - "left" - "front" - "rear" refer to the position of the operator when using the machine.
- When placing orders of parts for repair and/or replacement, make sure that the illustrated parts list is the one applying to the machine's year of manufacture, as shown on the identification plate attached to the machine.

COPYRIGHT by GLOBAL GARDEN PRODUCTS

All rights reserved. No part of this material may be reproduced or transmitted, in any form or by any means, electronic or mechanical, including photocopying, recording or by any information storage and retrieval system, without permission in writing from GLOBAL GARDEN PRODUCTS.







SHT 500

Pos. Fig.	Antal Quantity	Art No Part No	Benämning	Description	Anmärkning Notes
1	1	118800575/0	Handtag-hö	Right Handgrip	
3	1	118800576/0	Strömställaren så	Switch Lever	
4	1	118800577/0	Fjäder	Spring	
5	1	118800578/0	Knap	Button	
6	1	118800579/0	Fjäder	Spring	
7	1	118800580/0	Brytare	Switch	
8	1	118800581/0	Handtag-vä	Left Handgrip	
9	2	118800582/0	Låsring	Ring	
11	1	118800583/0	Handtag-vä	Left Handgrip	
15	1	118800584/0	Anslutningskabel	Power Cord Assy	
16	1	118800585/0	Elektroniska kort	Electronic Card	
17	1	118800586/0	Elmotor	Motor	
20	1	118800588/0	Handtag	Front Handgrip Ass.	
25	1	118800589/0	Skydd	Guard	
28	1	118800590/0	Handtag-hö	Right Handgrip	
32	1	118800572/0	Kniv kpl	Blade Ass.Y	
32	1	118800573/0	Kniv kpl	Blade Ass.Y	
37	1	118800591/0	Hus-undre	Lower Case	
39	1	118800592/0	Knivskydd	Blade Guard	
42	1	118800593/0	Växelhus kpl	Transmission Unit	
48	1	118800594/0	Knap	Button	