

Genuine Spare Parts

www.stiga.com

SHT 700 Model Year 2012

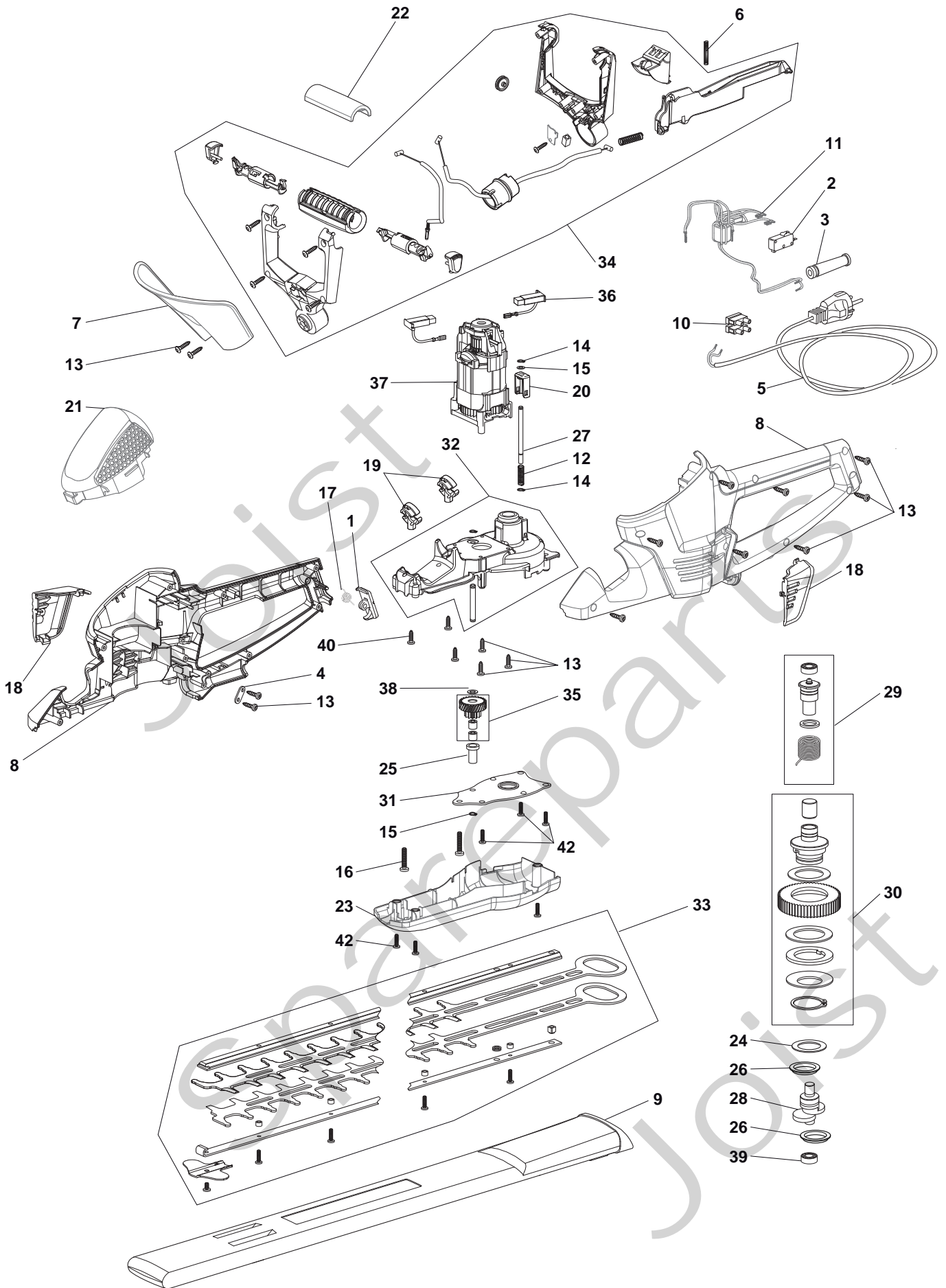
- Use GLOBAL GARDEN PRODUCT Genuine Spare Parts specified in the parts list for repair and/or replacement.
- The contents described in the parts list may change due to improvement.
- The drawings of the spare parts are only indicative and might not represent the part in question exactly.
- The indications "right" - "left" - "front" - "rear" refer to the position of the operator when using the machine.
- When placing orders of parts for repair and/or replacement, make sure that the illustrated parts list is the one applying to the machine's year of manufacture, as shown on the identification plate attached to the machine.

© Copyright 2012 Global Garden Products

All content is subject to copyright by Global Garden Products and may not be reproduced in whole or in part by any means, electronic or otherwise, without prior written approval.

THIS INFORMATION IS NOT INTENDED FOR SALE OR RESALE, AND THIS NOTICE MUST REMAIN ON ALL COPIES.

STIGA®



Position	Part No.	Q.Ty	Description
1	118801642/0	1	Cable Hook
2	1911-1579-01	1	Switch
3	1911-1066-01	1	Cord Protector
4	1911-1267-01	1	Restrainer
5	1911-1488-01	1	Power Cord Assy
6	118801655/0	1	Spring
7	118801656/0	1	Hand Guard
8	118801657/0	2	Housing
9	1911-1519-01	1	Blade Cover
10	1911-1104-01	1	Cable
11	118801658/0	1	Wire set
12	118801659/0	1	Spring
13	1911-1105-01	16	Screw
14	1911-1528-01	2	Circlip
15	1911-1529-01	2	Washer
16	112735657/0	2	Screw
17	118801660/0	1	Spring
18	118801661/0	2	Right/Left Hood
19	118801662/0	2	Ring
20	118801663/0	1	Spring Cap
21	118801664/0	1	Engine Cover
22	118801665/0	1	Grip Hood
23	118801666/0	1	Lower Case
24	118801667/0	1	Washer
25	118801668/0	1	Bush
26	118801669/0	2	Elastic Ring
27	118801670/0	1	Clutch pin
28	118801671/0	1	Pinion
29	118801672/0	1	Gear shaft
30	118801673/0	1	Spur gear
31	118801674/0	1	Support Plate
32	118801675/0	1	Upper Case
33	118801676/0	1	Blades
34	118801677/0	1	Handle Assy
35	118801678/0	1	Gear Assembly
36	1911-1617-01	2	Carbon Brush
37	1911-1616-01	1	Engine
38	1911-1550-01	1	Washer
39	118801679/0	1	Bearing
40	112726389/0	2	Screw
41	118801680/0	1	Ring
42	123878023/0	6	Screw