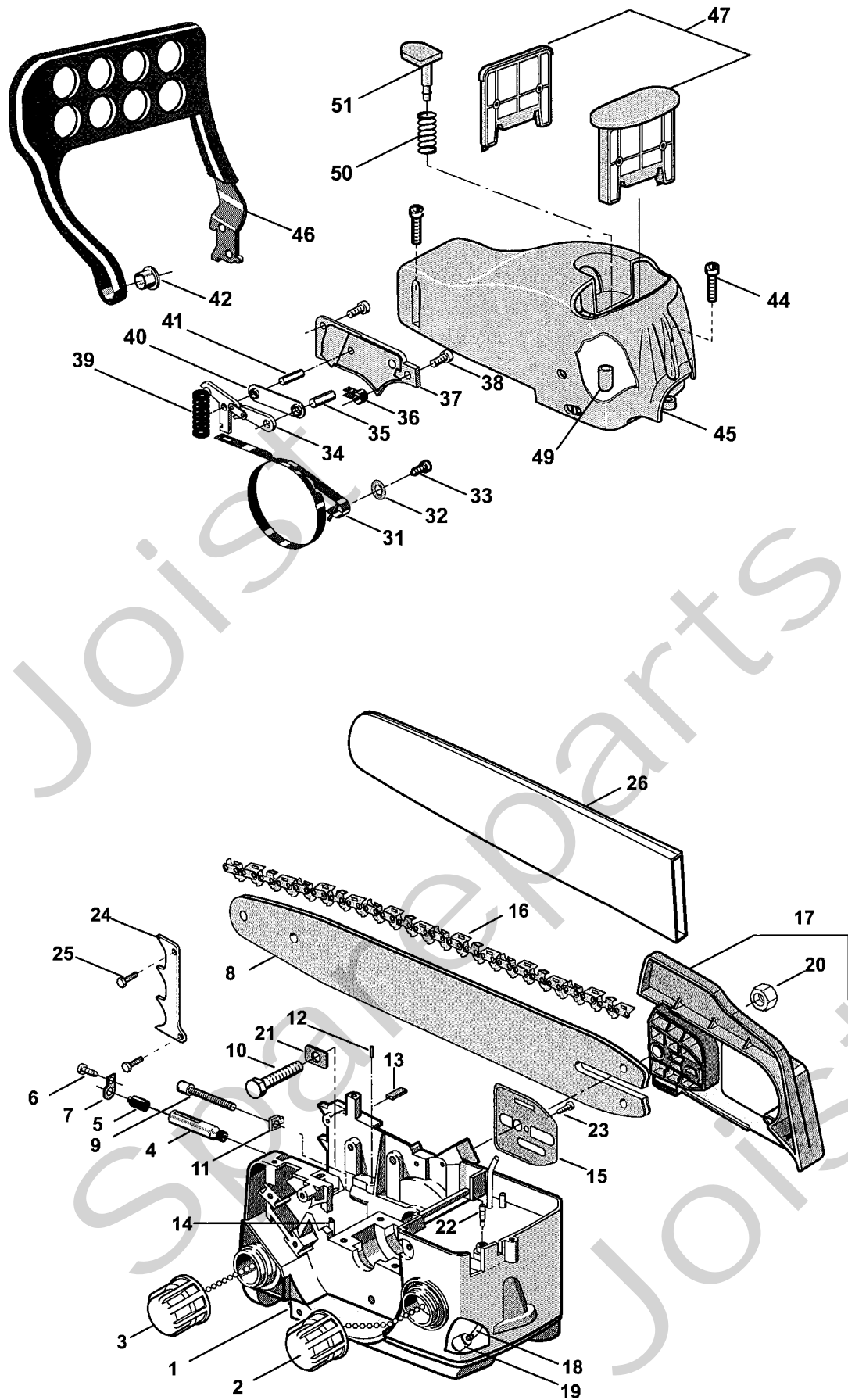


# Genuine Spare Parts

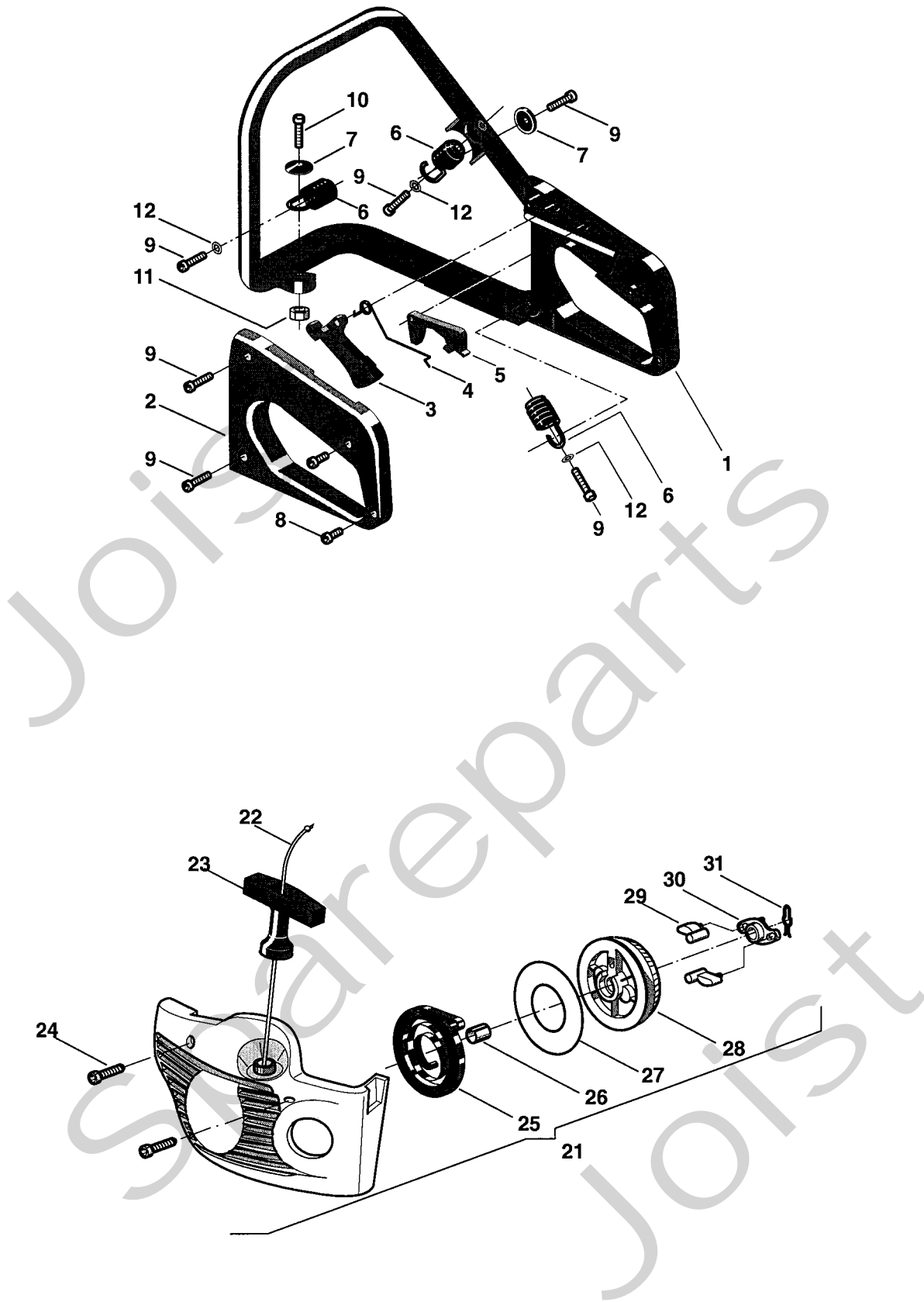
---



Joist  
Spareparts  
Joist

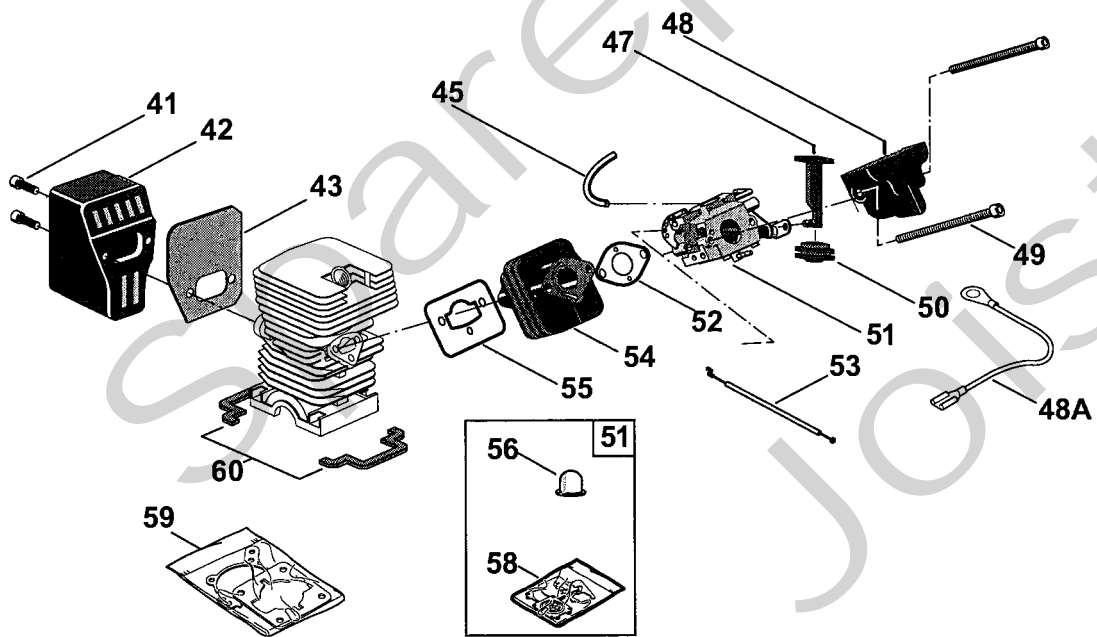
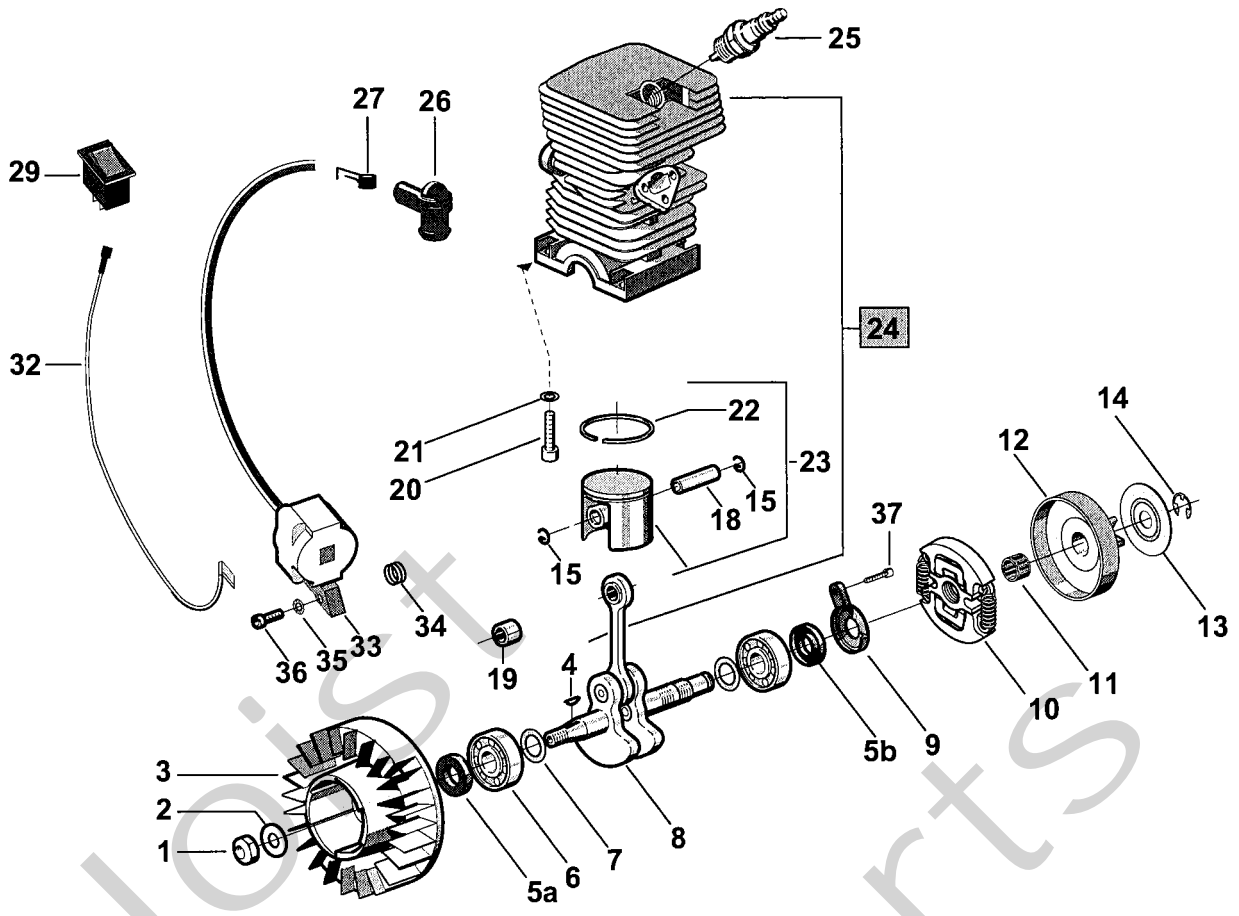


Utgåva Issue		Bildnr Picture No		SP 370- SP 410 VEVHUS KEDJEBROMS		SP 370- SP 410 CRANKCASE CHAIN BRAKE		Sida Page	
2006- 12		2163						362	
Pos. Fig.	Antal/Quantity			Art nr Part No	Benämning	Description	Sats Kit	Anmärkning Notes	
	4113 -11	4114 -11	4114 -21						
1	1	1		1911- 4208- 01	Vevhus kpl.....	Crankcase assy.....			
2	1	1		1911- 3550- 01	Tanklock.....	Tank cap.....			
3	1	1		1911- 3550- 01	Tanklock.....	Tank cap.....			
4	1	1		1911- 3539- 01	Oljepump.....	Oil pump.....			
5	1	1		1911- 3462- 01	Distans.....	Spacer.....			
6	2	2		1911- 3247- 01	Skruv.....	Screw.....			
7	1	1		1911- 3368- 01	Hållare.....	Retainer.....			
8	1			1911- 3230- 01	Svärd.....	Bar.....		13" (0.325"x0.050)	
8		1		1911- 3231- 01	Svärd.....	Bar.....		16" (0.325"x0.050)	
9	1	1		1911- 3295- 01	Kedjespännskruv.....	Chain tension screw.....			
10	1	1		1911- 3942- 01	Skruv.....	Screw.....			
11	1	1		1911- 3387- 01	Kedjespännare.....	Chain tensioner.....			
12	1	1		1911- 3445- 01	Lock- oljetillförsel.....	Cap- oil supply.....			
13	1	1		1911- 3952- 01	Förstärkning.....	Reinforcement.....			
14	1	1		1911- 3563- 01	Oljeslang.....	Tube.....			
15	1	1		1911- 4168- 01	Svärdplatta.....	Bar plate.....			
16	1			1519- 9002- 56	Kedja (56E).....	Chain (56E).....		95VP (0.325")	
16		1		1519- 9002- 64	Kedja (64E).....	Chain (64E).....		95VP (0.325")	
17	1	1		1911- 3547- 01	Kopplingshus- gul.....	Clutch housing- yellow.....		Inkl. pos 20	
18	1	1		1911- 3505- 01	Bränsleledning.....	Fuel line.....			
19	1	1		1911- 3150- 01	Bränslefilter.....	Intake filter.....			
20	1	1		1911- 3296- 01	• Mutter.....	• Nut.....			
21	1	1		1911- 3938- 01	Förstärkning.....	Reinforcement.....			
22	1	1		1911- 3560- 01	Andningsventil.....	Breather valve.....			
23	1	1		1911- 3249- 01	Skruv.....	Screw.....			
24	1	1		1911- 3856- 01	Spikjärn.....	Spike.....			
25	2	2		1911- 3002- 01	Skruv.....	Screw.....			
26	1			1911- 3519- 01	Kedjeskydd.....	Chain cover.....		13"	
26		1		1911- 3520- 01	Kedjeskydd.....	Chain cover.....		16"	
31	1	1		1911- 3364- 01	Bromsband.....	Brake band.....			
32	1	1		1911- 3269- 01	Bricka.....	Washer.....			
33	1	1		1911- 3249- 01	Skruv.....	Screw.....			
34	1	1		1911- 3540- 01	Kedjebromsarm.....	Chain brake lever.....			
35	1	1		1911- 3310- 01	Pinne.....	Pin.....			
36	1	1		1911- 3366- 01	Fjäder.....	Spring.....			
37	1	1		1911- 3482- 01	Bromskåpa.....	Brake cover.....			
38	2	2		1911- 3002- 01	Skruv.....	Screw.....			
39	1	1		1911- 3415- 01	Fjäder.....	Spring.....			
40	1	1		1911- 3361- 01	Bromsplåt.....	Brake plate.....			
41	1	1		1911- 3311- 01	Pinne.....	Pin.....			
42	1	1		1911- 3358- 01	Bussning.....	Bushing.....			
44	3	3		1911- 3001- 01	Skruv.....	Screw.....			
45	1	1		1911- 3549- 01	Cylinderkåpa- gul.....	Cylinder cover- yellow.....			
46	1	1		1911- 3579- 01	Handskydd.....	Hand guard.....			
47	1	1		1911- 3618- 01	Luftfilter.....	Air filter.....			
49	1	1		1911- 3491- 01	Primerknapp.....	Air purge cap button.....			
50	1	1		1911- 3416- 01	Fjäder.....	Spring.....			
51	1	1		1911- 3490- 01	Primerhandtag.....	Air purge button.....			



Utgåva Issue 2006-12	Bildnr Picture No 2164	SP 370- SP 410 HANDTAG START	SP 370- SP 410 HANDLE STARTER	Sida Page 364
----------------------------	------------------------------	------------------------------------	-------------------------------------	---------------------

Pos. Fig.	Antal/Quantity		Art nr Part No	Benämning	Description	Sats Kit	Anmärkning Notes
	4113 -11	4114 -11 -21					
1	1	1	1911-3577-01	Handtag .....	Handle .....		
2	1	1	1911-3578-01	Handtagskåpa .....	Handle cover .....		
3	1	1	1911-3453-01	Gasreglage .....	Throttle lever .....		
4	1	1	1911-3417-01	Fjäder .....	Spring .....		
5	1	1	1911-3454-01	Säkerhetsspärr .....	Safety lever .....		
6	3	3	1911-3414-01	Fjäder .....	Spring .....		
7	2	2	1911-3367-01	Bricka .....	Washer .....		
8	3	3	1911-3002-01	Skruv .....	Screw .....		
9	6	6	1911-3248-01	Skruv .....	Screw .....		
10	1	1	1911-3007-01	Skruv .....	Screw .....		
11	1	1	1911-3022-01	Mutter .....	Nut .....		
12	3	3	1911-3015-01	Bricka .....	Washer .....		
21	1	1	1911-3548-01	Start kpl- gul .....	Starter assy- yellow .....		Inkl. pos 22 - 31
22	1	1	1911-3130-01	• Startsnöre .....	• Starter cord .....		
23	1	1	1911-3479-01	• Starthandtag .....	• Starter handle .....		
24	3	3	1911-3001-01	• Skruv .....	• Screw .....		
25	1	1	1911-3176-01	• Startfjäder .....	• Starter spring .....		
26	1	1	1911-3372-01	• Bussning .....	• Bushing .....		
27	1	1	1911-3096-01	• Skiva .....	• Disc .....		
28	1	1	1911-3483-01	• Linhjul .....	• Starter pulley .....		
29	2	2	1911-3480-01	• Startspärr .....	• Starter hook .....		
30	1	1	1911-3484-01	• Fäste- startspärr .....	• Guide- starter hook .....		
31	1	1	1911-3423-01	• Hållare .....	• Retainer .....		



Utgåva Issue 2006-12	Bildnr Picture No 2165	SP 370- SP 410 CYLINDER- VEVAXEL FÖRGASARE	SP 370- SP 410 CYLINDER- CRANKSHAFT CARBURETTOR	Sida Page 366
----------------------------	------------------------------	--	---	---------------------

Pos. Fig.	Antal/Quantity		Art nr Part No	Benämning	Description	Sats Kit	Anmärkning Notes
	4113 -11	4114 -11 -21					
1	1	1	1911-3280-01	Mutter .....	Nut .....		
2	1	1	1911-3268-01	Bricka .....	Washer .....		
3	1	1	1911-3567-01	Svånghjul .....	Flywheel .....		
4	1	1	1911-3048-01	Svånghjulskil .....	Flywheel key .....		
5a	1	1	1911-3301-01	Tätningring .....	Seal ring .....		
5b	1	1	1911-3302-01	Tätningring .....	Seal ring .....		
6	2	2	1911-3297-01	Kullager .....	Ball bearing .....		
7	2	2	1911-3072-01	Bricka .....	Washer .....		
8	1	1	1911-3532-01	Vevaxel kpl .....	Crankshaft assy .....		Inkl. pos 19
9	1	1	1911-3488-01	Dammskydd .....	Dust guard .....		
10	1	1	1911-3538-01	Koppling .....	Clutch .....		
11	1	1	1911-3041-01	Nållager .....	Needle bearing .....		
12	1	1	1911-3514-01	Drev .....	Sprocket .....		0.325"
13	1	1	1911-3338-01	Drevbricka .....	Sprocket washer .....		
14	1	1	1911-3330-01	Låsring .....	Circlip .....		
15	2	2	1911-3069-01	.. Låsring .....	.. Lock ring .....		
18	1	1	1911-3051-01	.. Kolvbult .....	.. Piston pin .....		
19	1	1	1911-3042-01	.. Nållager .....	.. Needle bearing .....		
20	4	4	1911-3006-01	Skruv .....	Screw .....		
21	4	4	1911-3274-01	Bricka .....	Washer .....		
22	1	1	1911-3304-01	.. Kolvring .....	.. Piston ring .....		
23	1	1	1911-3861-01	.. Kolv kpl .....	.. Piston assy .....		Inkl. pos 15, 18, 22
24	1	1	1911-3597-01	Cylinder- kolv kpl .....	Cylinder- piston assy .....		Inkl. pos 23
25	1	1	9400-0258-00	Tändstift .....	Spark plug .....		Champion CJ7Y
26	1	1	1911-3546-01	Tändstiftshatt .....	Spark plug cover .....		
27	1	1	1911-3421-01	Fjäder .....	Spring .....		
29	1	1	1911-3053-01	Stoppkontakt .....	Stop switch .....		
32	1	1	1911-3321-01	Jordkabel .....	Ground cable .....		
33	1	1	1911-3320-01	Elektronikspole .....	Electronic coil .....		
34	1	1	1911-3418-01	Fjäder .....	Spring .....		
35	2	2	1911-3017-01	Bricka .....	Washer .....		
36	2	2	1911-3251-01	Skruv .....	Screw .....		
37	1	1	1911-3247-01	Skruv .....	Screw .....		
41	2	2	1911-3007-01	Skruv .....	Screw .....		
42	1	1	1911-3513-01	Ljuddämpare .....	Muffler .....		
43	1	1	1911-3442-01	Packning .....	Gasket .....		
45	1	1	1911-3506-01	Bränsleledning .....	Fuel line .....		
47	1	1	1911-3455-01	Chokearm .....	Choke lever .....		
48	1	1	1911-3990-01	Insugningsrör .....	Air intake manifold .....		
48A	1	1	1911-3951-01	Kabel .....	Cable .....		
49	2	2	1911-3264-01	Skruv .....	Screw .....		
50	1	1	1911-3465-01	Gummihylsa .....	Grommet .....		
X 51	1	1	1911-4447-01	Förgasare kpl .....	Carburettor assy .....		WT-718B
52	1	1	1911-3440-01	Packning .....	Gasket .....		
53	1	1	1911-3545-01	Gaswire m.hölje .....	Throttle cable w.sh. ....		
54	1	1	1911-3485-01	Insugningsrör .....	Intake manifold .....		
55	1	1	1911-3444-01	Packning .....	Gasket .....		
56	1	1	1911-3460-01	Primerpump .....	Primer pump .....		
58	1	1	1911-3613-01	Membran- packningssats .....	Diaphragm- gasket set .....		
59	1	1	1911-3615-01	Packningssats .....	Gasket set .....		
60	2	2	1911-3435-01	Cylinderpackning .....	Cylinder gasket .....		